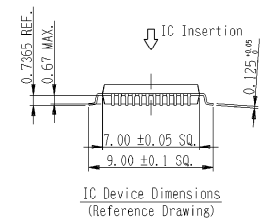
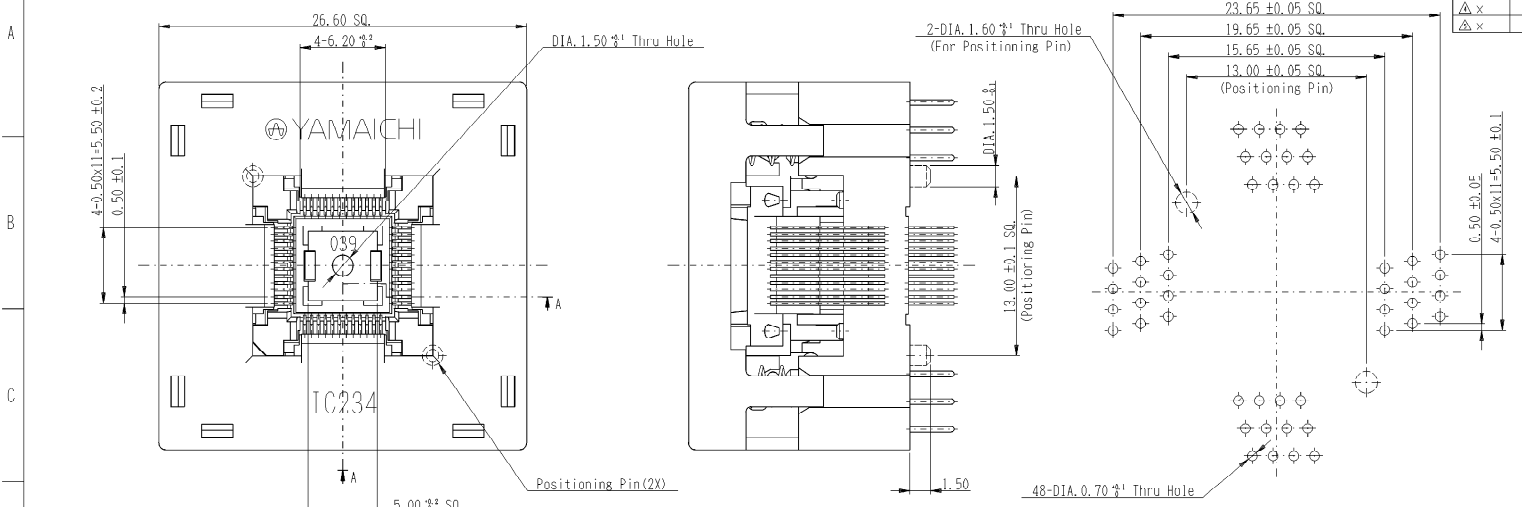
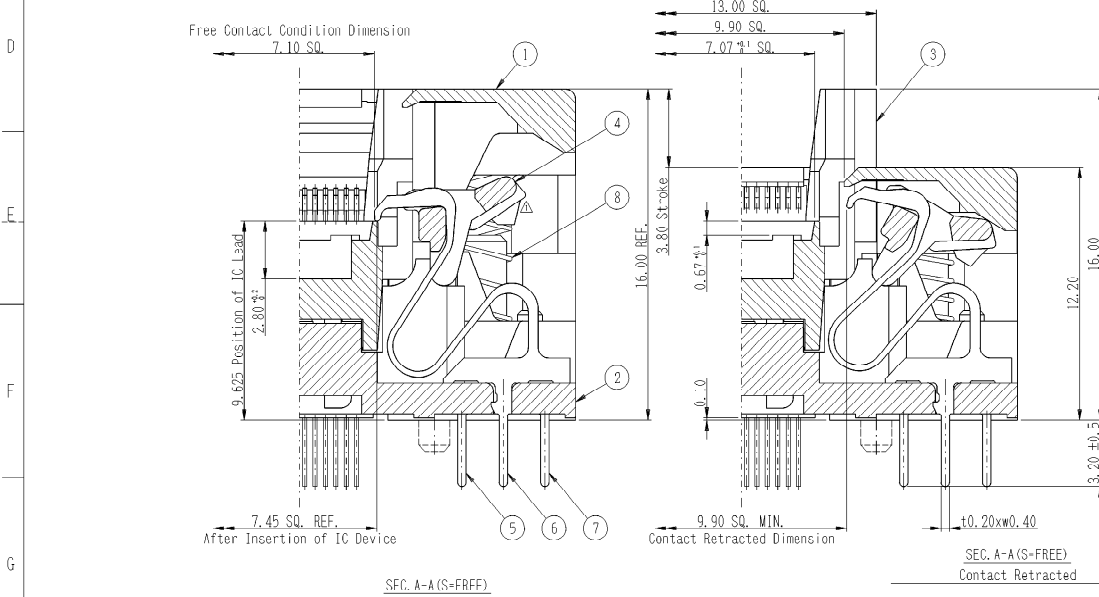


No. x QTY.	REVISION DESCRIPTION	APP.	CHK.	DSGN.	Mo - D - Yr	Decision Change #
△ x 1	Design change.	N. K.		I. I.	3-19-'98	DC 98-0757
△ x						
△ x						
△ x						
△ x						

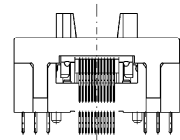
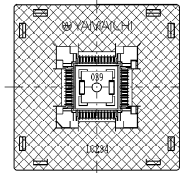
This is the English version drawing, please note all Japanese text has been removed. Please consult factory for latest revision.



CONTACT & MOUNTING SCREW HOLE PATTERN
(Pattern shown looking down through top of socket)



- Performance**
- Insulation Resistance
1,000Mohm min. at DC100V
 - Dielectric Withstanding Voltage
For 1 minute at AC100V
 - Contact Resistance
30mohm max. at 10mA and 20mV max. Initial Number
 - Operation Temperature
40deg. C +150deg. C
 - Contact Force
20g - 80g Per Pin
 - Operation Force
1.2Kg/Max.
 - Life Span
10,000 Times (Mechanical)



Full Stroke Condition Drawing(S=FREE)
This Device Can Be Pressed On The Hatched (XXXX) Areas Shown In The Drawing Above

ITEM	DESCRIPTION	QTY.	MATERIAL	CONTENT	PART IDENT
8	Coil Spring K1012	4	SUS DIA. 0.20	KS SANGYO No. 1012	Commercial
7	-C	16			
6	Contact 2088 -B	16	BeCu t0.20	Ni-Au PL (CLASS BF)	AB-05839
5	-A	16			
4	IC234-0484-034 #1V	1	PES (GF)	BLACK	AB-06993
3	IC234-0484-039 #1B	1	PEI (GF)	BLACK	AB-08728
2	IC234-0484-034* #1N-B	1	PES (GF)	BLACK	AB-06991
1	IC234-0484-034 #1N-A	1	PES (GF)	BLACK	AB-06990

Ordering Code

Type Name	Positioning Pin
IC234-0484-039N	Without
IC234-0484-039P	With

DU-2207						YAMAICHI ELECTRONICS USA, INC.	
TOLERANCES: ±0.3						(CLASS) QFP-P0.5-48P	
Unless otherwise specified						(TITLE) IC234-0484-039-*	
SCALE	2/1	APP.	APP.	CHK.	DRW.	DSGN.	(DRW. NO.)
DIMENSION	mm	3-18-'02	3-15-'02	3-15-'02	3-15-'02	3-14-'02	YEU-A0222
3RD. ANGLE PROJECTION		H. Watanabe	A. Limjoco	A. Querubin	A. Querubin		Sheet No. / B