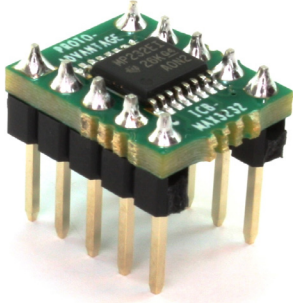


ICB-MAX3232 Proto Advantage

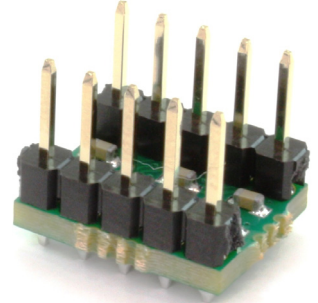
Datasheet revision 1.0

www.Proto-Advantage.com

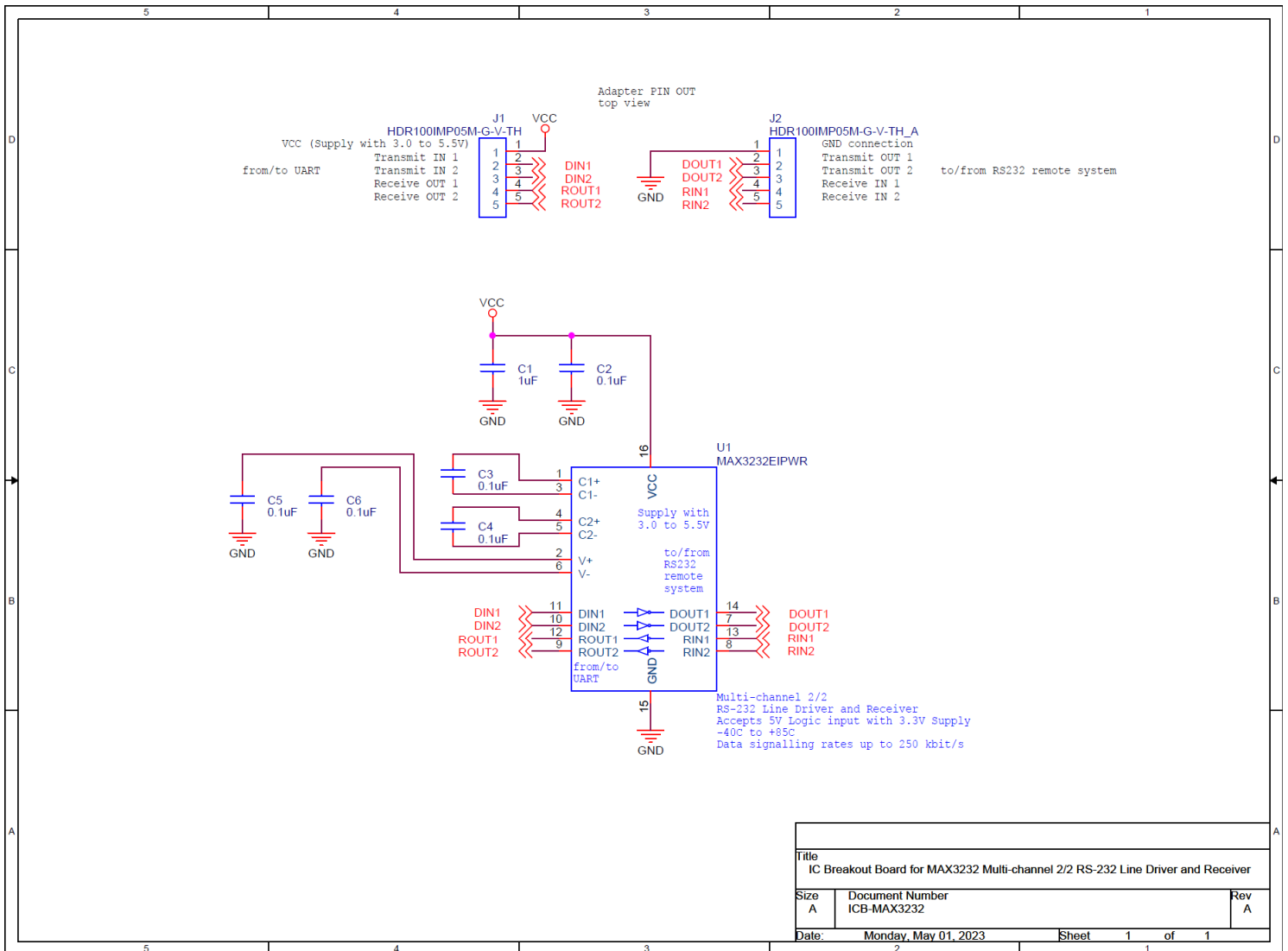
IC Breakout Board for MAX3232 Multi-channel 2/2 RS-232 Line Driver and Receiver to DIP-10 (Fully Assembled)



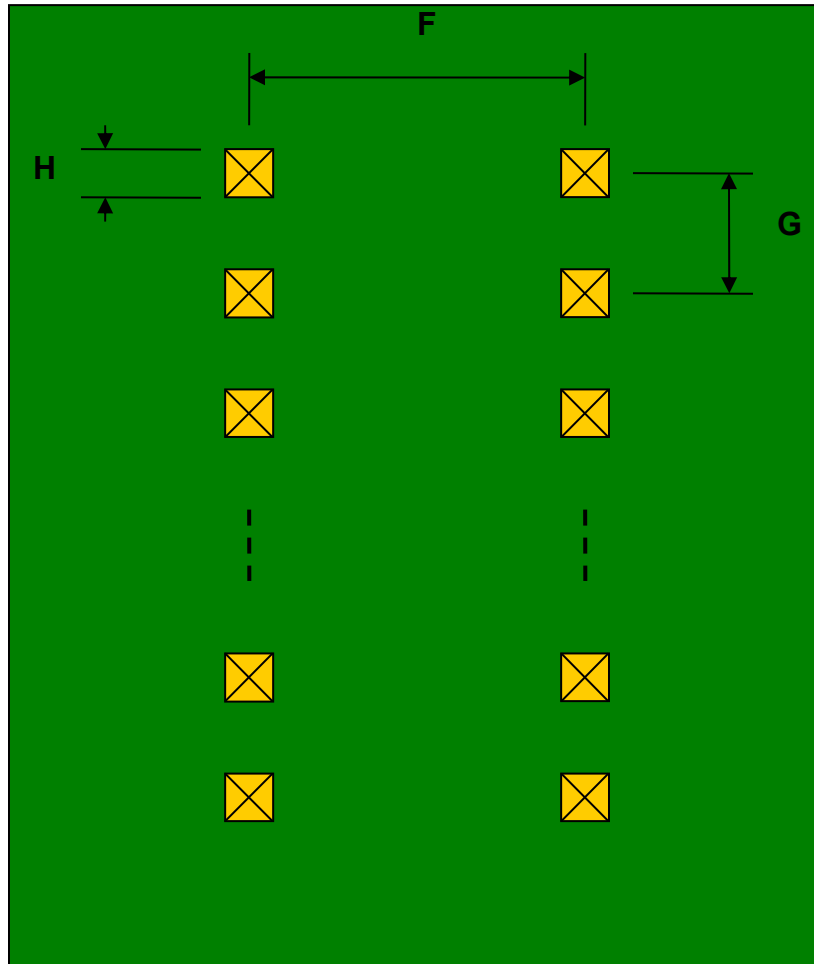
DIMENSIONS						
REF.	mm			inches		
	MIN.	TYP.	MAX.	MIN.	TYP.	MAX.
F					0.300	
G					0.100	
H					0.025	



Schematic

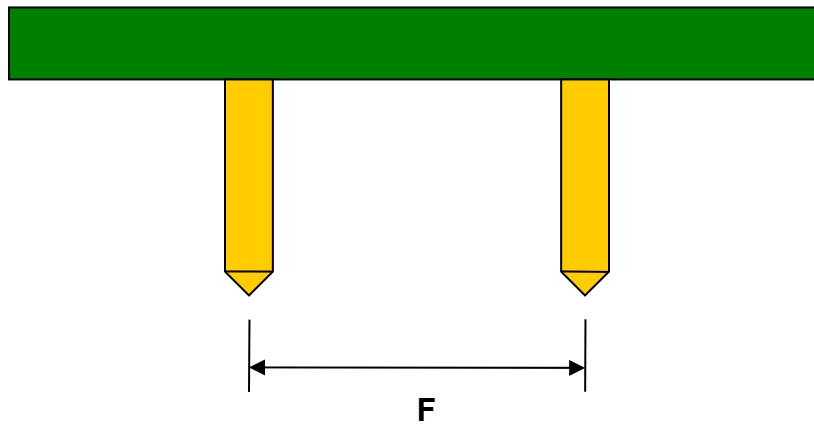


Bottom View (DIP Pins)



(Representative drawing only - not to scale)

Side View (DIP Pins)



(Representative drawing only - not to scale)