

# MAXIM

## Four Digit Display Decoder/Drivers

ICM7211/7212

### General Description

The Maxim ICM7211 (LCD) and ICM7212 (LED) four digit, seven segment display drivers include input data latches, BCD to segment decoders, and all level translation and timing circuits needed to drive non-multiplexed displays.

Both the ICM7211 and ICM7212 are available in two data input configurations: a multiplexed BCD interface version and a microprocessor interface version. The multiplexed BCD interface version has four BCD data inputs and four separate digit strobes. The microprocessor interface versions, designated by an "M" suffix, have four BCD data inputs, two digit address lines, and two chip selects or WRITE inputs.

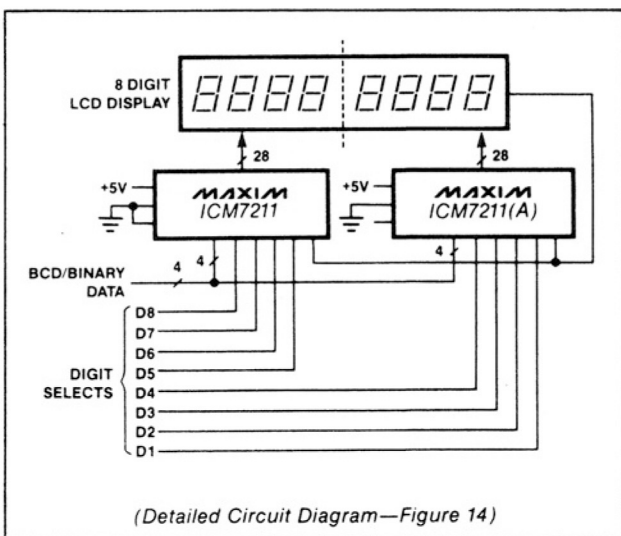
The ICM7211 and ICM7212 decode the BCD data via an onboard character font ROM. There are two different character fonts available, hexadecimal and Code B.

### Applications

The low power consumption of the ICM7211 LCD driver makes it ideal for battery powered and portable applications. The ICM7212 LED display driver reduces system cost by eliminating external level translators, external segment drivers, and segment current limiting resistors.

- Digital Panel Displays
- Intelligent Instruments
- Remote Display Units
- Microprocessor-to-Visual Communication

### Typical Operating Circuit



### Features

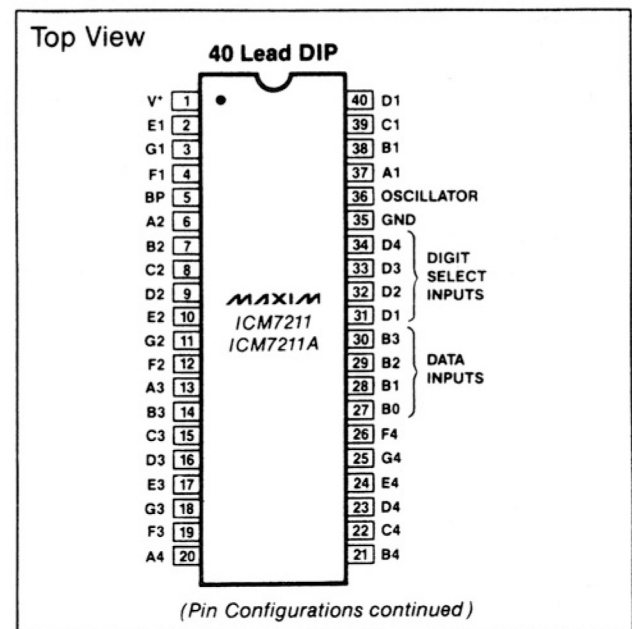
- ◆ Improved 2nd Source! (See 3rd page for "Maxim Advantage™").
- ◆ Directly drives Four Digit, 7 Segment Displays  
 ICM7211 - Non-multiplexed Liquid Crystal Display (LCD)  
 ICM7212 - Non-multiplexed Common Anode LED
- ◆ Multiplexed BCD Interface and  $\mu$ P Interface Versions
- ◆ No external components needed
- ◆ Low Power CMOS - 25 $\mu$ W typ. (display blanked)

### Ordering Information

| DEVICE TYPE     | OUTPUT CODE | INPUT CONFIGURATION |
|-----------------|-------------|---------------------|
| ICM7211 (LCD)   | Hexadecimal | Multiplexed 4-Bit   |
| ICM7211A (LCD)  | Code B      |                     |
| ICM7211M (LCD)  | Hexadecimal | $\mu$ P Interface   |
| ICM7211AM (LCD) | Code B      |                     |
| ICM7212 (LED)   | Hexadecimal | Multiplexed 4-Bit   |
| ICM 7212A (LED) | Code B      |                     |
| ICM7212M (LED)  | Hexadecimal | $\mu$ P Interface   |
| ICM7212AM (LED) | Code B      |                     |

(Ordering information continued).

### Pin Configurations



# Four Digit Display Decoder/Drivers

## ABSOLUTE MAXIMUM RATINGS

|                                       |                                    |
|---------------------------------------|------------------------------------|
| Power Dissipation (Note 1)            | 0.5 W@ 70° C                       |
| Supply Voltage                        | 6.5V                               |
| Input Voltage (Any Terminal) (Note 2) | V <sup>+</sup> +0.3V, GROUND -0.3V |
| Operating Temperature Range           | -20° C to +85° C                   |
| Storage Temperature Range             | -55° C to +125° C                  |
| Lead Temperature (Soldering 10 sec.)  | 300° C                             |

Stresses above those listed under Absolute Maximum Ratings may cause permanent damage to the device. These are stress ratings only and functional operation of the device at these or any other conditions above those indicated in the operational sections of the specifications is not implied. Exposure to absolute maximum rating conditions for extended periods may affect device reliability.

## ELECTRICAL CHARACTERISTICS

(V<sup>+</sup> = 5V; T<sub>A</sub> = 25° C, Test circuit unless noted)

### ICM7211 CHARACTERISTICS (LCD)

| PARAMETER                      | SYMBOL            | CONDITIONS                  | MIN | TYP | MAX | UNIT |
|--------------------------------|-------------------|-----------------------------|-----|-----|-----|------|
| Operating Supply Voltage Range | V <sub>SUPP</sub> |                             | 3   | 5   | 6   | V    |
| Operating Current              | I <sub>OP</sub>   | Test circuit, Display blank |     | 10  | 50  | μA   |
| Oscillator Input Current       | I <sub>OSCI</sub> | Pin 36                      |     | ±2  | ±10 |      |
| Segment Rise/Fall Time         | t <sub>RFS</sub>  | C <sub>L</sub> = 200pF      |     | 0.5 |     | μs   |
| Backplane Rise/Fall Time       | t <sub>RFB</sub>  | C <sub>L</sub> = 5000pF     |     | 1.5 |     |      |
| Oscillator Frequency           | f <sub>OSC</sub>  | Pin 36 Floating             |     | 16  |     | kHz  |
| Backplane Frequency            | f <sub>BP</sub>   | Pin 36 Floating             |     | 125 |     | Hz   |

### ICM7212 CHARACTERISTICS (COMMON ANODE LED)

| PARAMETER                      | SYMBOL            | CONDITIONS                                | MIN | TYP   | MAX | UNIT |
|--------------------------------|-------------------|---|-----|-------|-----|------|
| Operating Supply Voltage Range | V <sub>SUPP</sub> |   | 4   | 5     | 6   | V    |
| Operating Current Display Off  | I <sub>OP</sub>   | Pin 5 (Brightness), Pin 27-34 - GROUND    |     | 10    | 50  | μA   |
| Operating Current              | I <sub>OP</sub>   | Pin 5 at V <sup>+</sup> , Display all 8's |     | 200   |     | mA   |
| Segment Leakage Current        | I <sub>SLK</sub>  | Segment Off                               |     | ±0.01 | ±1  | μA   |
| Segment On Current             | I <sub>SEG</sub>  | Segment On, V <sub>O</sub> = +3V          | 5   | 8     |     | mA   |

### INPUT CHARACTERISTICS

| PARAMETER                       | SYMBOL            | CONDITIONS                           | MIN | TYP  | MAX | UNIT |
|---------------------------------|-------------------|--------------------------------------|-----|------|-----|------|
| Logical "1" input voltage       | V <sub>IH</sub>   |                                      | 3   |      |     | V    |
| Logical "0" input voltage       | V <sub>IL</sub>   |                                      |     |      | 1   |      |
| Input leakage current           | I <sub>ILK</sub>  | Pins 27-34                           |     | ±.01 | ±1  | μA   |
| Input capacitance               | C <sub>IN</sub>   | Pins 27-34                           |     | 5    |     | pF   |
| BP/Brightness input leakage     | I <sub>BPLK</sub> | Measured at Pin 5 with Pin 36 at GND |     | ±.01 | ±1  | μA   |
| BP/Brightness input capacitance | C <sub>BP</sub>   | All Devices                          |     | 200  |     | pF   |

### AC CHARACTERISTICS - MULTIPLEXED INPUT CONFIGURATION

|                                 |                  |                          |     |  |  |    |
|---------------------------------|------------------|--------------------------|-----|--|--|----|
| Digit Select Active Pulse Width | t <sub>SA</sub>  | Refer to Timing Diagrams | 1   |  |  | μs |
| Data Setup Time                 | t <sub>DS</sub>  |                          | 500 |  |  | ns |
| Data Hold Time                  | t <sub>DH</sub>  |                          | 200 |  |  |    |
| Inter-Digit Select Time         | t <sub>IDS</sub> |                          | 2   |  |  | μs |

### AC CHARACTERISTICS - MICROPROCESSOR INTERFACE

|                                |                  |   |     |   |  |    |
|--------------------------------|------------------|---|-----|---|--|----|
| Chip Select Active Pulse Width | t <sub>CSA</sub> | other chip select either held active, or both driven together | 200 |   |  | ns |
| Data Setup Time                | t <sub>DS</sub>  |   | 100 |   |  |    |
| Data Hold Time                 | t <sub>DH</sub>  |   | 10  | 0 |  |    |
| Inter-Chip Select Time         | t <sub>ICS</sub> |   | 2   |   |  | μs |

**Note 1:** This limit refers to that of the package and will not be realized during normal operation.

**Note 2:** Due to the SCR structure inherent in the CMOS process, connecting any terminal to voltages greater than V<sup>+</sup> or less than GROUND may cause destructive device latchup. For this reason, it is recommended that no inputs from external sources not operating on the same power supply be applied to the device before its supply is established, and that in multiple supply systems, the supply to the ICM7211/ICM7212 be turned on first.

The electrical characteristics above are a reproduction of a portion of Intersil's copyrighted (1981) data book. This information does not constitute any representation by Maxim that Intersil's products will perform in accordance with these specifications. The "Electrical Characteristics Table" along with the descriptive excerpts from the original manufacturer's data sheet have been included in this data sheet solely for comparative purposes.

# MAXIM ADVANTAGE™ Four Digit Display Decoder/Drivers

ICM7211/7212

- ◆ Key Parameters Guaranteed Over Temperature
- ◆ Increased Segment-On Current
- ◆ Low Power (Typically 25μW)
- ◆ Maxim Quality and Reliability
- ◆ Improved ESD Protection (Note 3)

**ABSOLUTE MAXIMUM RATINGS** This device conforms to the Absolute Maximum Ratings on adjacent page.

## ELECTRICAL CHARACTERISTICS

(V<sup>+</sup> = +5V; T<sub>A</sub> = 25°C, Test circuit unless noted.)

### ICM7211 CHARACTERISTICS (LCD)

| PARAMETER                      | SYMBOL            | CONDITIONS                      | MIN | TYP | MAX | UNITS |
|--------------------------------|-------------------|---------------------------------|-----|-----|-----|-------|
| Operating Supply Voltage Range | V <sub>SUPP</sub> |                                 | 3   | 5   | 6   | V     |
| Operating Current              | I <sub>OP</sub>   | Test circuit, Display blank     |     | 5   | 25  | μA    |
| Oscillator Input Current       | I <sub>OSCI</sub> | Pin 36, V <sub>OSC</sub> = 2.5V |     | ±2  | ±10 | μA    |
| Segment Rise/Fall Time         | t <sub>RFS</sub>  | C <sub>L</sub> = 200pF          |     | 0.5 |     | μS    |
| Backplane Rise/Fall Time       | t <sub>RFB</sub>  | C <sub>L</sub> = 5000pF         |     | 1.5 |     |       |
| Oscillator Frequency           | f <sub>OSC</sub>  | Pin 36 Floating                 |     | 19  |     | kHz   |
| Backplane Frequency            | f <sub>BP</sub>   | Pin 36 Floating                 |     | 150 |     | Hz    |

### ICM7212 CHARACTERISTICS (COMMON ANODE LED)

| PARAMETER                        | SYMBOL            | CONDITIONS  | MIN    | TYP   | MAX | UNITS |
|----------------------------------|-------------------|---|--------|-------|-----|-------|
| Operating Supply Voltage Range   | V <sub>SUPP</sub> |   | 4      | 5     | 6   | V     |
| Operating Current<br>Display Off | I <sub>OP</sub>   | Pin 5 (Brightness),<br>Pin 27-34 - GROUND   |        | 5     | 50  | μA    |
| Operating Current                | I <sub>OP</sub>   | Pin 5 at V <sup>+</sup> , Display all 8's   |        | 200   |     | mA    |
| Segment Leakage Current          | I <sub>SLK</sub>  | Segment Off   |        | ±0.01 | ±1  | μA    |
| Segment On Current               | I <sub>SEG</sub>  | Segment On, V <sub>O</sub> = +3V; T <sub>A</sub> = 25°C<br>0°C ≤ T <sub>A</sub> ≤ +70°C | 6<br>5 | 9     |     | mA    |

### INPUT CHARACTERISTICS (ICM7211 AND ICM7212)

| PARAMETER                       | SYMBOL            | CONDITIONS                           | MIN | TYP  | MAX | UNITS |
|---------------------------------|-------------------|--------------------------------------|-----|------|-----|-------|
| Logical "1" input voltage       | V <sub>IH</sub>   | Pins 27-34, -20°C to +85°C           | 3   |      |     | V     |
| Logical "0" input voltage       | V <sub>IL</sub>   | Pins 27-34, -20°C to +85°C           |     |      | 1   |       |
| Input leakage current           | I <sub>I LK</sub> | Pins 27-34                           |     | ±0.1 | ±1  | μA    |
| Input capacitance               | C <sub>IN</sub>   | Pins 27-34                           |     | 5    |     | pF    |
| BP/Brightness input leakage     | I <sub>BPLK</sub> | Measured at Pin 5 with Pin 36 at GND |     | ±0.1 | ±1  | μA    |
| BP/Brightness input capacitance | C <sub>BPI</sub>  | All Devices                          |     | 200  |     | pF    |

### AC CHARACTERISTICS - MULTIPLEXED INPUT CONFIGURATION

|                                 |                  |                          |      |  |  |    |
|---------------------------------|------------------|--------------------------|------|--|--|----|
| Digit Select Active Pulse Width | t <sub>SA</sub>  | Refer to Timing Diagrams | 1    |  |  | μS |
| Data Setup Time                 | t <sub>DS</sub>  |                          | -100 |  |  | ns |
| Data Hold Time                  | t <sub>DH</sub>  |                          | 200  |  |  |    |
| Inter-Digit Select Time         | t <sub>IDS</sub> |                          | 2    |  |  | μS |

### AC CHARACTERISTICS - MICROPROCESSOR INTERFACE

|                                |                  |  |     |     |  |    |
|--------------------------------|------------------|--|-----|-----|--|----|
| Chip Select Active Pulse Width | t <sub>CSA</sub> | Other chip select either held active,<br>or both driven together |     | 200 |  | ns |
| Data Setup Time                | t <sub>DS</sub>  |  | 100 |     |  |    |
| Data Hold Time                 | t <sub>DH</sub>  |  | 10  | 0   |  |    |
| Inter-Chip Select Time         | t <sub>ICS</sub> |  | 2   |     |  | μS |

**Note 1:** This limit refers to that of the package and will not be realized during normal operation.

**Note 2:** Due to the SCR structure inherent in the CMOS process, connecting any terminal to voltages greater than V<sup>+</sup> or less than GROUND may cause destructive device latchup. For this reason, it is recommended that no inputs from external sources not operating on the same power supply be applied to the device before its supply is established, and that in multiple supply systems, the supply to the ICM7211/ICM7212 be turned on first.

**Note 3:** All pins except pin 29 are designed to withstand electrostatic discharge (ESD) levels in excess of 2000V (Mil STD 883B Method 3015.1 Test Circuit). Due to the special test functions associated with pin 29, this pin is designed to withstand up to 1500V (same test circuit).

# Four Digit Display Decoder/Drivers

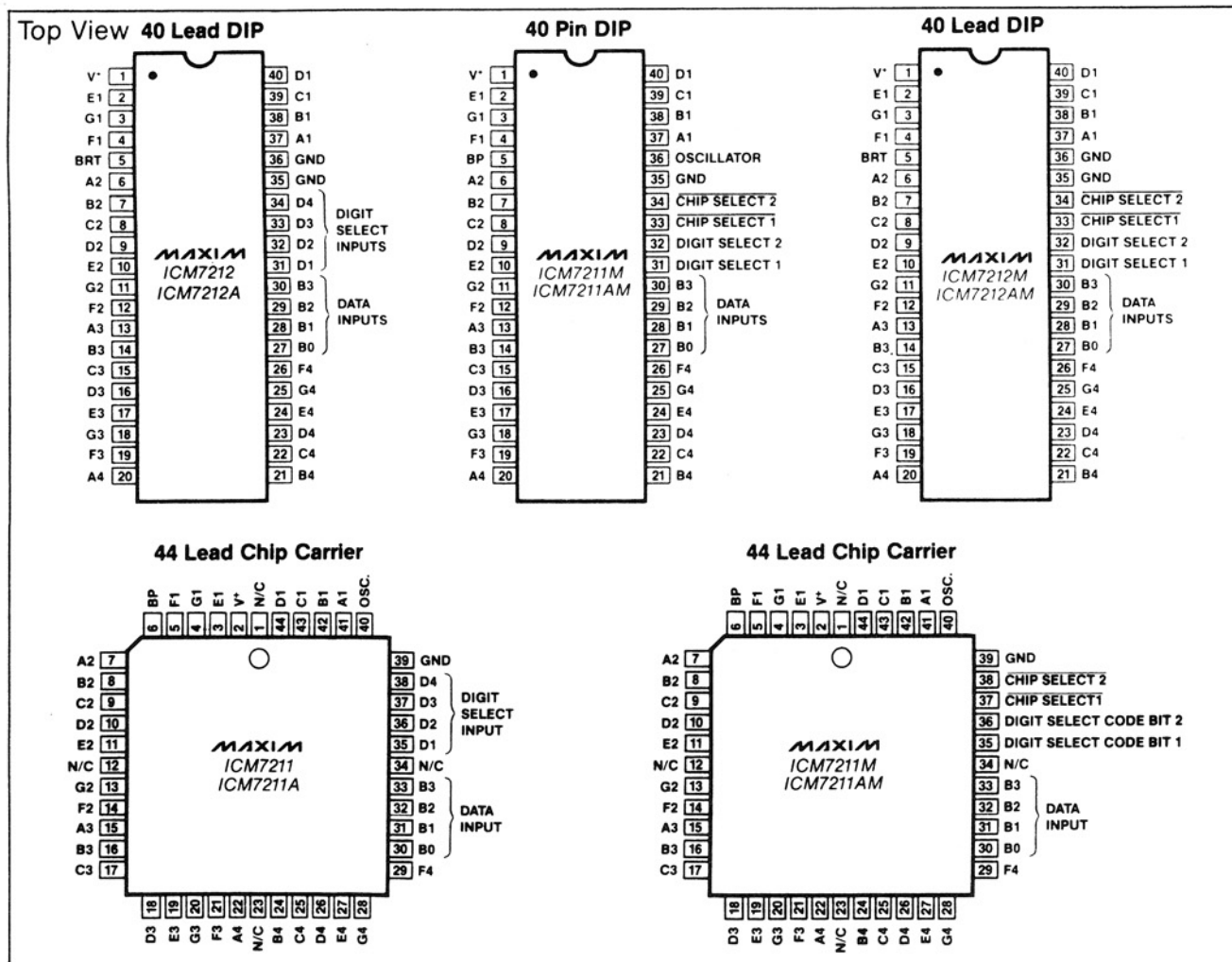
## Ordering Information (Cont.)

| PART        | TEMP. RANGE    | PACKAGE                      |
|-------------|----------------|------------------------------|
| ICM7211IQ   | -20°C to +85°C | 44 Lead Plastic Chip Carrier |
| ICM7211AIQ  | -20°C to +85°C | 44 Lead Plastic Chip Carrier |
| ICM7211MIQ  | -20°C to +85°C | 44 Lead Plastic Chip Carrier |
| ICM7211AMIQ | -20°C to +85°C | 44 Lead Plastic Chip Carrier |
| ICM7212IQ   | -20°C to +85°C | 44 Lead Plastic Chip Carrier |
| ICM7212AIQ  | -20°C to +85°C | 44 Lead Plastic Chip Carrier |
| ICM7212MIQ  | -20°C to +85°C | 44 Lead Plastic Chip Carrier |
| ICM7212AMIQ | -20°C to +85°C | 44 Lead Plastic Chip Carrier |

| PART         | TEMP. RANGE    | PACKAGE             |
|--------------|----------------|---------------------|
| ICM7211IPL   | -20°C to +85°C | 40 Lead Plastic DIP |
| ICM7211AIPL  | -20°C to +85°C | 40 Lead Plastic DIP |
| ICM7211MIPL  | -20°C to +85°C | 40 Lead Plastic DIP |
| ICM7211AMIPL | -20°C to +85°C | 40 Lead Plastic DIP |
| ICM7212IPL   | -20°C to +85°C | 40 Lead Plastic DIP |
| ICM7212AIPL  | -20°C to +85°C | 40 Lead Plastic DIP |
| ICM7212MIPL  | -20°C to +85°C | 40 Lead Plastic DIP |
| ICM7212AMIPL | -20°C to +85°C | 40 Lead Plastic DIP |

Each device type listed is available in dice form; Order basic part number followed by C/D; (i.e. ICM7211C/D).

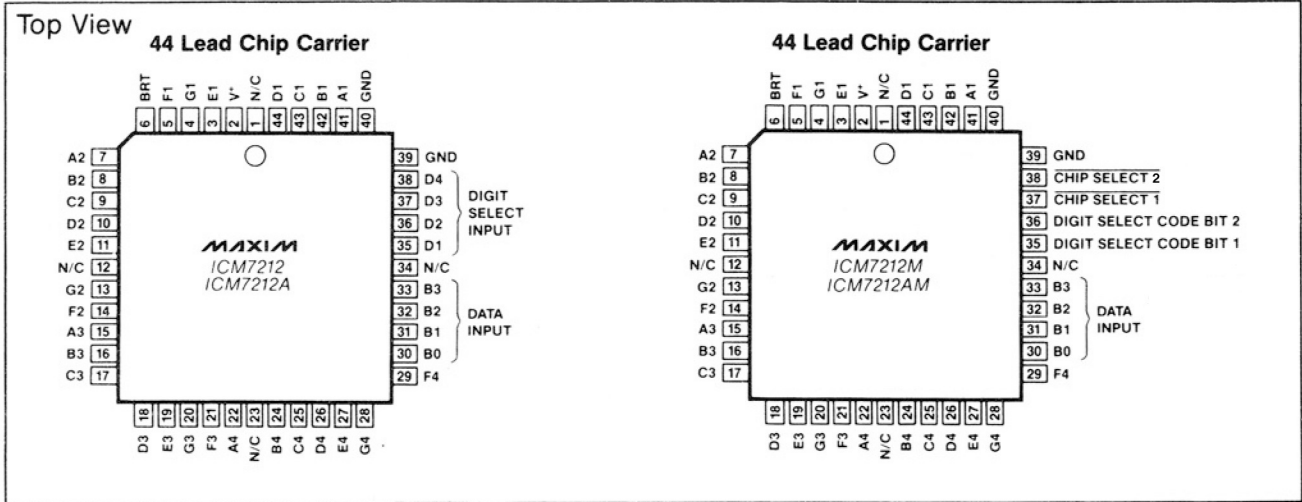
## Pin Configurations (Cont.)



# Four Digit Display Decoder/Drivers

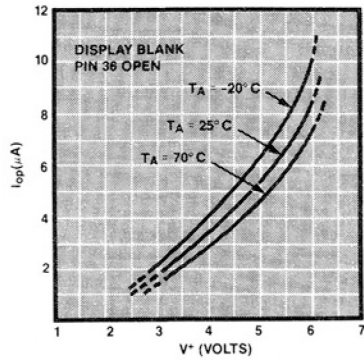
## Pin Configurations (Cont.)

ICM7211/7212

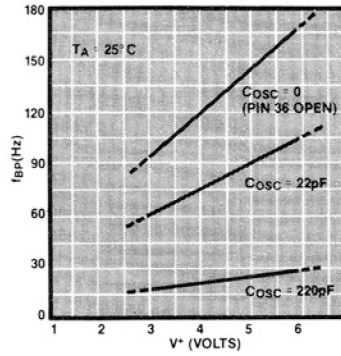


## Typical Operating Characteristics

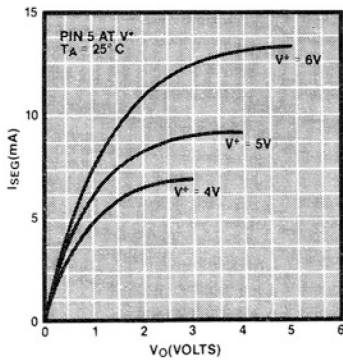
ICM7211 OPERATING SUPPLY CURRENT AS A FUNCTION OF SUPPLY VOLTAGE



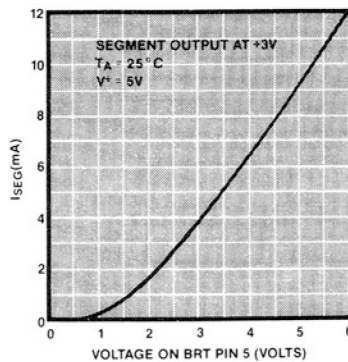
ICM7211 BACKPLANE FREQUENCY AS A FUNCTION OF SUPPLY VOLTAGE



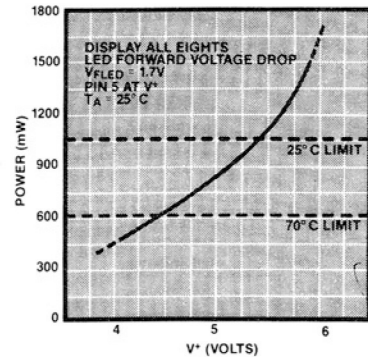
ICM7212 LED SEGMENT CURRENT AS A FUNCTION OF OUTPUT VOLTAGE



ICM7212 LED SEGMENT CURRENT AS A FUNCTION OF BRIGHTNESS CONTROL VOLTAGE



ICM7212 OPERATING POWER (LED DISPLAY) AS A FUNCTION OF SUPPLY VOLTAGE





# Four Digit Display Decoder/Drivers

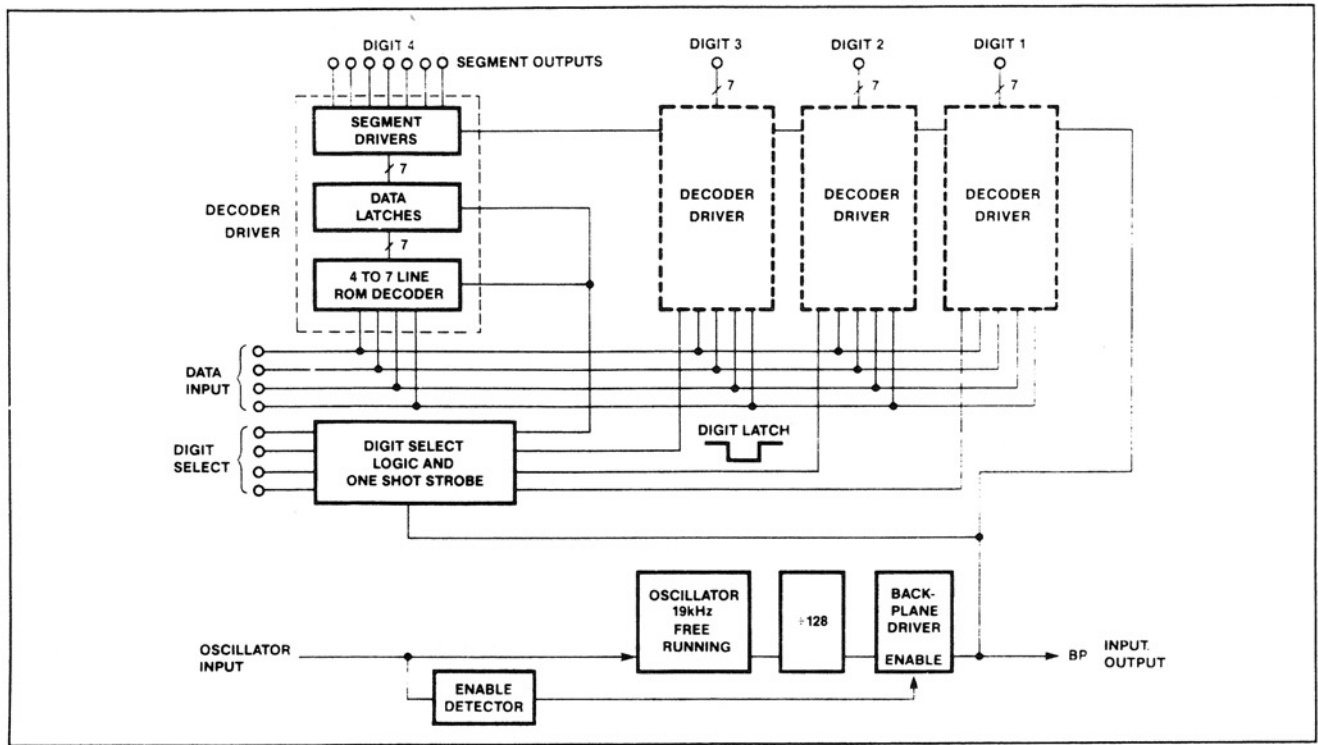


Figure 1. Block diagram of ICM7211 and ICM7211A.

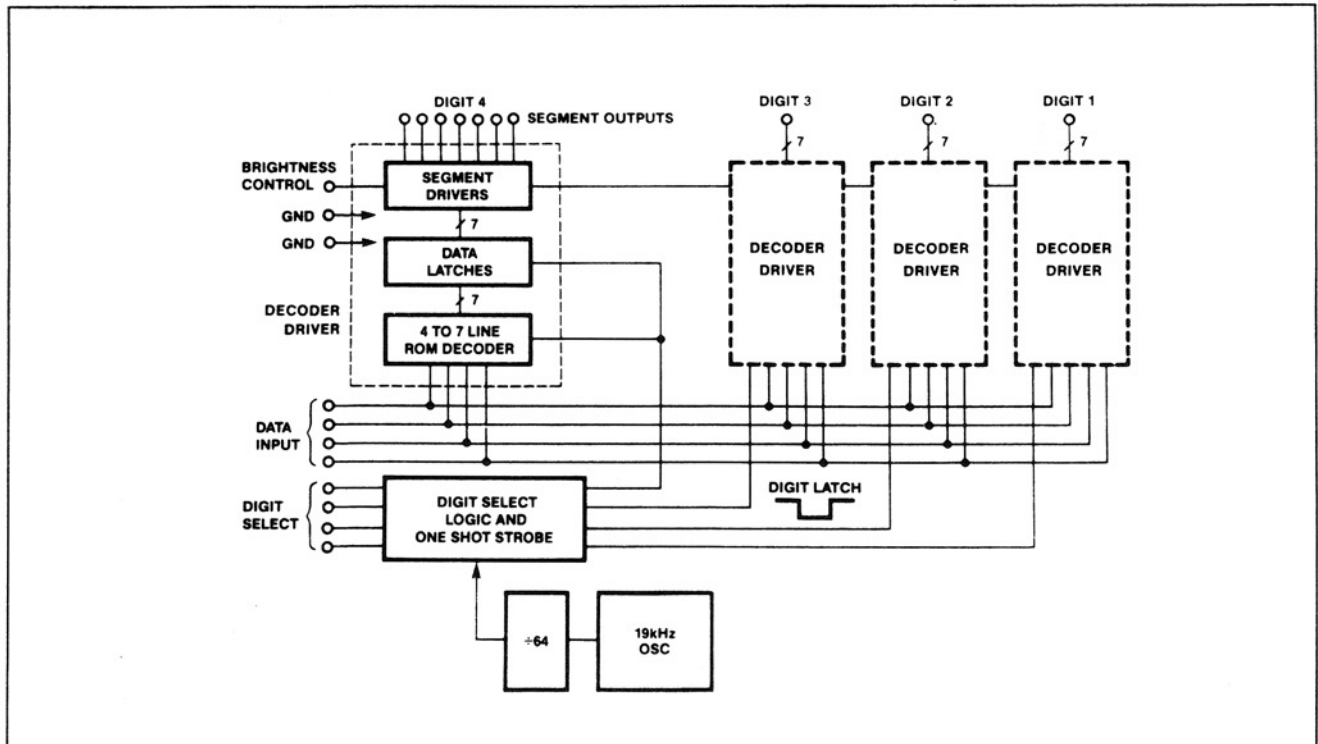


Figure 2. Block diagram of ICM7212 and ICM7212A.

# Four Digit Display Decoder/Drivers

ICM7211/7212

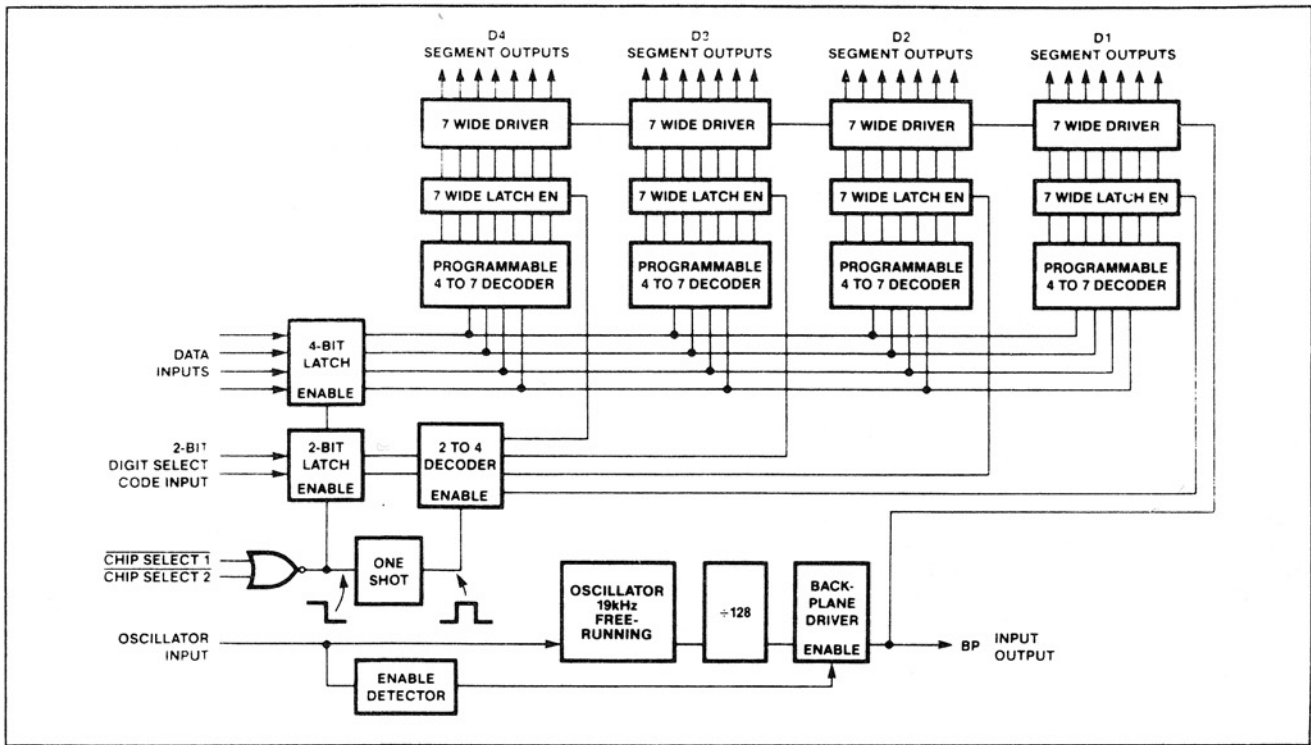


Figure 3. Block diagram of ICM7211M and ICM7211AM.

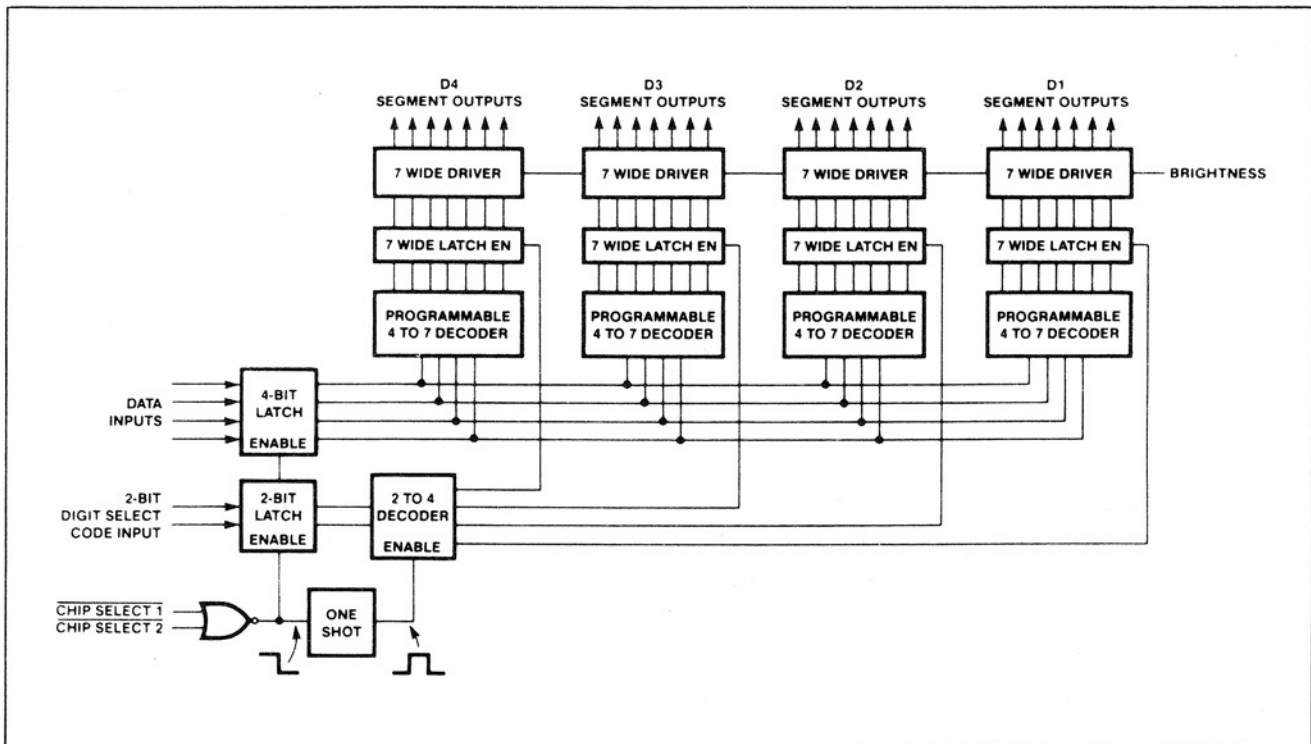


Figure 4. Block diagram of ICM7212M and ICM7212AM.

# Four Digit Display Decoder/Drivers

## Detailed Description

### Display Interface

The ICM7211 and ICM7212 differ only in the type of display interface. The ICM7211 is designed to drive non-multiplexed liquid crystal displays (LCDs), while the ICM7212 is designed to drive non-multiplexed, common anode LED displays.

### ICM7211 LCD Display Driver

The display driver section of the ICM7211 includes an oscillator, a 7 stage binary divider, a backplane driver, backplane slaving detector and logic, and 28 segment drivers.

The RC oscillator has a nominal oscillation frequency of 19kHz with no external components. Ordinarily this frequency is suitable and no external oscillator components are needed, but if desired, the frequency may be lowered by connecting a capacitor between pin 36 (Oscillator) and either ground or V<sup>+</sup>. A graph showing the relationship between capacitor value and oscillator frequency is shown in the Typical Characteristics section. The oscillator may also be overdriven by an external clock source with a frequency of 128 times the desired backplane frequency. The external clock source should swing from approximately 1.5V to 5V when V<sup>+</sup> is 5V. The external clock signal must not go below 1V for more than one microsecond, or the backplane disable circuitry may be activated (see below). Figure 7 shows an external clock drive circuit that meets the above requirements.

The 19kHz nominal output of the onboard oscillator is divided by a 7 stage binary divider ( $\div 128$ ) to generate the backplane frequency of 150Hz.

The backplane drive is simply an inverter whose input is the output of the last divider. The backplane output swings from ground to V<sup>+</sup> with a 50% duty cycle. The backplane has a low (200 ohm typical) output resistance so that it can drive the capacitance of large displays.

The backplane output driver can be disabled by tying pin 36 (Oscillator) to ground. The Backplane Input/Output (pin 5) then becomes an input which can be driven by the backplane output of another ICM7211 (see Figures 14, 16 and 17). Each backplane is a load of about 200 pF when driven, and no more than 4 ICM7211's (16 digits total) should be slaved together using one "master" ICM7211 as the backplane source, since power dissipation and the DC offset increase when the ICM7211 backplane output drives very large capacitive loads. For more than 16 digits on a common backplane, a separate, external driver with a low impedance should be used to drive all ICM7211s.

The segment drivers are CMOS inverters that swing between ground and V<sup>+</sup> with an output resistance of about 2 k $\Omega$ . The input to the inverter is switched between two signals, so that the segment driver output is the same as the backplane when LCD segment is to be turned OFF, and is BACKPLANE when the LCD segment is to be turned ON. The segment and

backplane drivers are designed to have equal rise and fall times, so that the average DC component across the LCD is less than 25 millivolts.

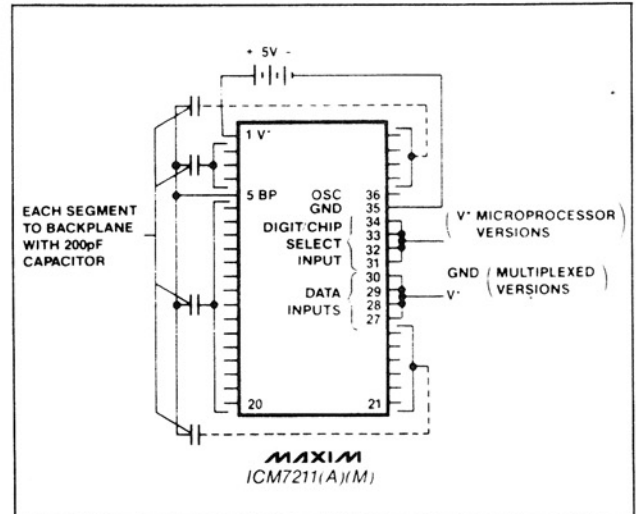


Figure 5. ICM7211 Test Circuit (all versions).

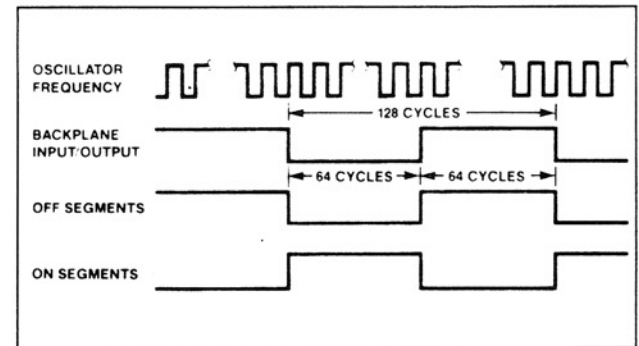


Figure 6. Display Waveforms.

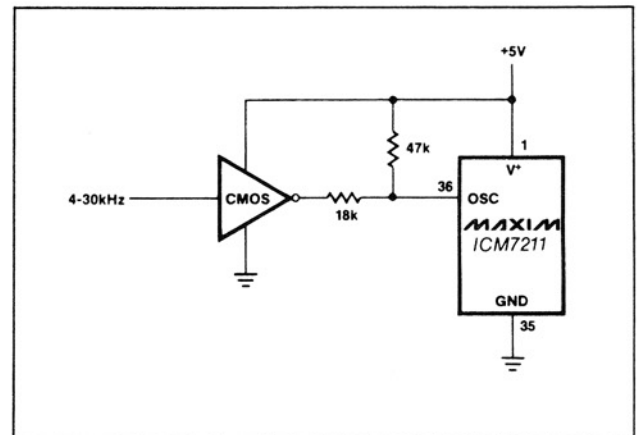


Figure 7. External Clock Drive.



# Four Digit Display Decoder/Drivers

## ICM7212 LED Drivers

The ICM7212 has 28 open drain constant current n-channel outputs, which eliminate the need for external segment resistors. The LED current vs. output voltage of a typical segment driver is shown in the Typical Characteristics section. The Brightness input (pin 5) supplies the segment driver gate voltage, and it can be used to either control the brightness of the LED display or to completely blank the display. Two methods of controlling display brightness are shown in Figure 8. The first method simply controls the voltage on the brightness pin by means of a potentiometer. The Brightness input draws negligible current and the potentiometer is normally in the range of 100 kilohms to 1 megohm. By replacing the potentiometer with a resistor and a photoresistor, the display brightness can be automatically adjusted in response to changes in the ambient lighting. A second method of display brightness control is to duty-cycle modulate the Brightness input between "full on" and "blanked" states. As with the simple potentiometer method, the display brightness can be automatically adjusted for ambient lighting conditions by replacing one of the timing resistors with a photoresistor.

The ICM7212 has two ground pins to support the high total display current that flows into the segment outputs and then is returned to ground through the ICM7212 ground pins.

Since the ICM7212 will drive the LED display at high total display current, care must be taken not to exceed the absolute maximum power dissipation limit of the ICM7212 at high ambient temperatures. For example, at 70°C, the absolute maximum power dissipation specification is 500 mW. If all 28 segments are turned on (a display of 8888), and each segment is drawing 8 mA, the total power dissipation in the ICM7212 would be

$$P_d = 28 \text{ segments} \cdot (8 \text{ mA}) \cdot (V_{\text{seg}})$$

Where  $V_{\text{seg}} = V^+ - V_{\text{led}} = 5 \text{ V} - 1.6 \text{ V} = 3.4 \text{ V}$   
 Therefore  $P_d = 28 \cdot (8) \cdot (3.4) = 760 \text{ mW}$ ; greater than the absolute maximum limit.

There are two ways to keep the power dissipation below the ICM7212 power dissipation limits: reduce the LED current, or reduce the voltage across the ICM7212 segment drivers. The LED current can be reduced by the display brightness control circuits shown in figure 8. The other alternative, reducing the voltage across the segment drivers can be accomplished by either reducing the V<sup>+</sup> supply to the entire system, or by reducing the V<sup>+</sup> supply to just the LED display by placing diodes in series with the LED display (see Figure 9). Two silicon diodes in series with the anode of the LED display will reduce the voltage across the segment drivers from 3.4V to 2.2V, resulting in a power reduction of approximately 35%, while only slightly reducing the LED current and brightness. A third diode in series with the LED display would further reduce the power dissipation, but the segment current would also be reduced since there would be only about 1.6V across the n-channel segment driver.

## Digital Interface

There are two different types of digital interfaces available for the ICM7211 and ICM7212, a multiplexed BCD interface and a microprocessor interface.

### Multiplexed BCD Data Interface

On the multiplexed BCD data entry versions of ICM7211 and ICM7212 there are 8 lines used for entering data: 4 BCD data lines and 4 digit strobes. The multiplexed BCD input timing and truth table is shown in Figure 10. When one of the four digit strobes is taken high, a short internal pulse is generated which latches the decoded segment data in the 7 bit latch associated with that digit. If the digit strobe is continuously held high, each transition of the backplane will cause another internal latch pulse to be generated, latching new segment data if the BCD data has changed. When the digit strobe goes low the data in the latch is held constant with no further updates until the digit strobe is again taken high. As shown in the electrical specifications table, the data setup time is a negative 100ns, which means that the digit strobe can be taken high as much as 100ns before the BCD data is valid.

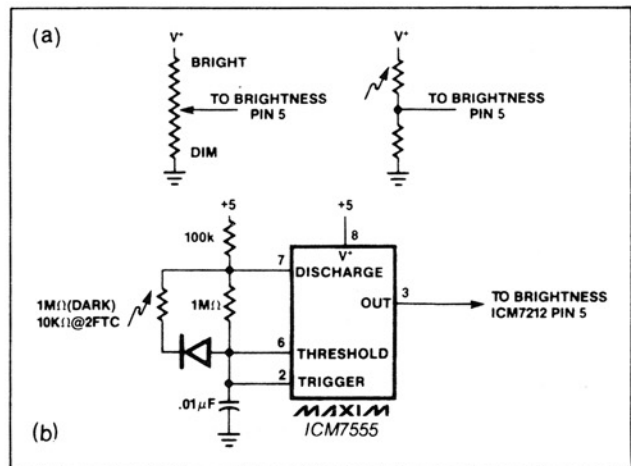


Figure 8A & 8B. Brightness Control

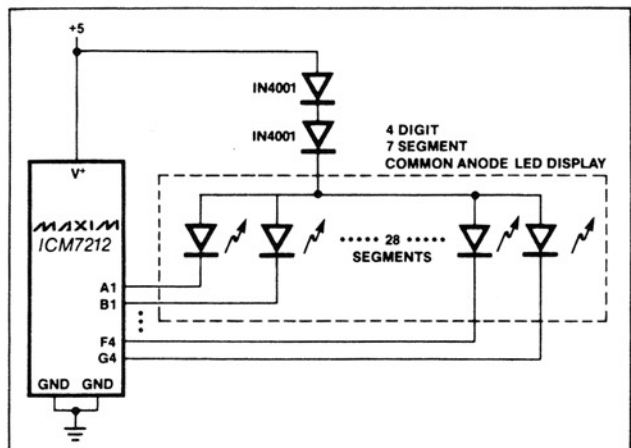


Figure 9. Reducing ICM7212 Power Dissipation.

# Four Digit Display Decoder/Drivers

## Character Fonts

Table 1 shows the two different output codes or fonts available. Both versions have the same display for 0-9 and differ only in the display of the last 6 input codes. The Code B versions have the suffix "A" in their part number.

**Table 1: Output Codes**

| BINARY |    |    |    | HEXADECIMAL<br>ICM7211(M)<br>ICM7212(M) | CODE B<br>ICM7211A(M)<br>ICM7212A(M) |
|--------|----|----|----|---|--------------------------------------|
| B3     | B2 | B1 | B0 |   |                                      |
| 0      | 0  | 0  | 0  | 0                                       | 0                                    |
| 0      | 0  | 0  | 1  | 1                                       | 1                                    |
| 0      | 0  | 1  | 0  | 2                                       | 2                                    |
| 0      | 0  | 1  | 1  | 3                                       | 3                                    |
| 0      | 1  | 0  | 0  | 4                                       | 4                                    |
| 0      | 1  | 0  | 1  | 5                                       | 5                                    |
| 0      | 1  | 1  | 0  | 6                                       | 6                                    |
| 0      | 1  | 1  | 1  | 7                                       | 7                                    |
| 1      | 0  | 0  | 0  | 8                                       | 8                                    |
| 1      | 0  | 0  | 1  | 9                                       | 9                                    |
| 1      | 0  | 1  | 0  | A                                       | —                                    |
| 1      | 0  | 1  | 1  | b                                       | E                                    |
| 1      | 1  | 0  | 0  | c                                       | H                                    |
| 1      | 1  | 0  | 1  | d                                       | L                                    |
| 1      | 1  | 1  | 0  | E                                       | P                                    |
| 1      | 1  | 1  | 1  | F                                       | (Blank)                              |

## Microprocessor or Data Interface

The microprocessor data interface versions of the ICM7211 and ICM7212 are denoted by an "M" suffix in their part number. The microprocessor data interface also uses 8 lines for the data interface: 4 BCD data lines, 2 digit address lines, and 2 active low chip select lines. A typical data write cycle and the truth table are shown in Figure 11. Data is entered into the input latches whenever both CS (chip select) lines are low. When either CS line goes high an internal one shot is activated, transferring the decoded 7-segment data to the appropriate digit latch. One CS line is ordinarily driven by an address decoder and the other CS line is driven by the microprocessor WR (write) line (see Figure 15). In this type of application, the ICM7211/12 is accessed as 4 "write only" memory locations.

## Application Notes

### Backplane Frequency

The ICM7211 onboard oscillator generates a backplane frequency of approximately 150Hz with no external components. This is suitable for most displays, but

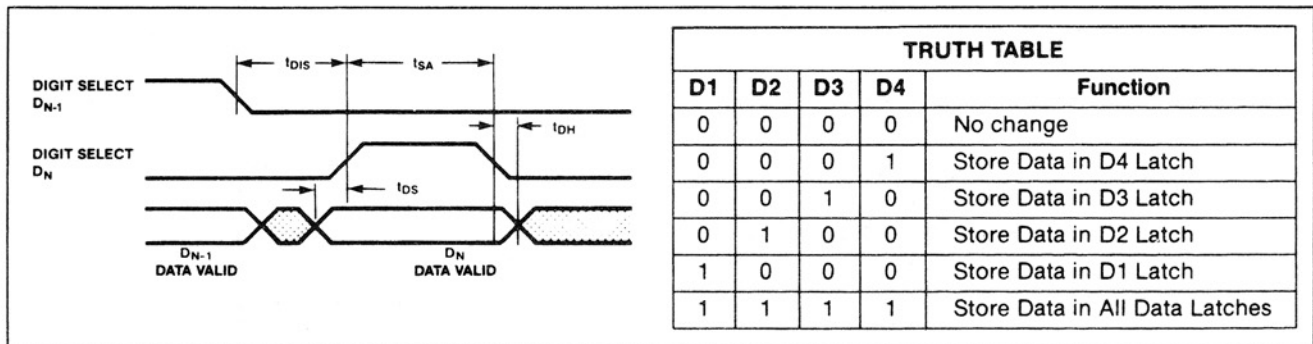


Figure 10. Multiplexed input timing diagram and truth table.

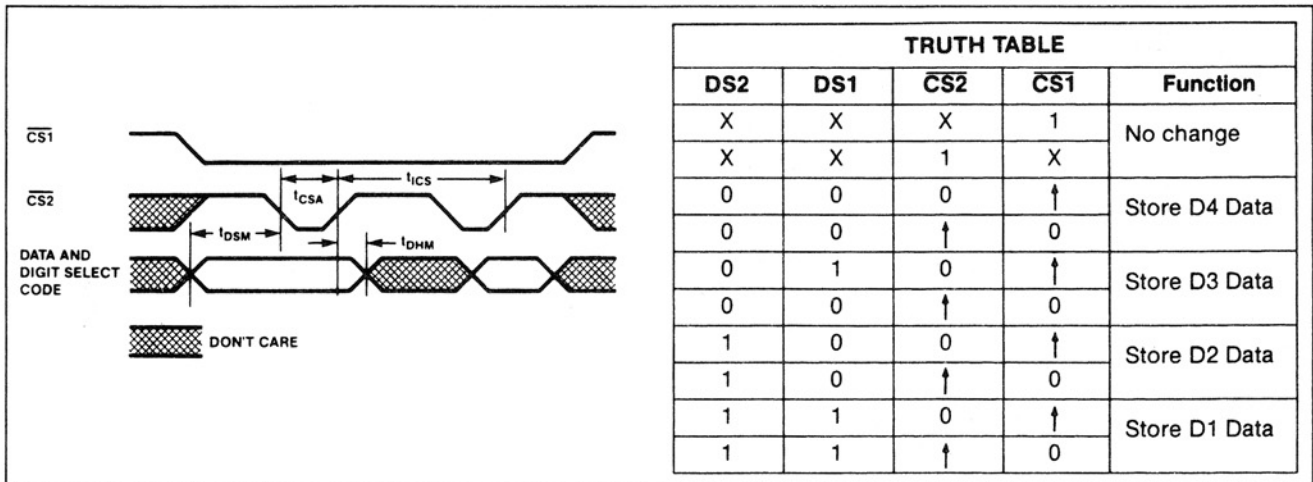


Figure 11. Microprocessor Interface input timing diagram and truth table.

# Four Digit Display Decoder/Drivers

ICM7211/7212

150Hz is too high a frequency when driving very large displays or low threshold displays with high segment trace resistance. When driving very large displays (>1" height), the very large capacitance of the display will significantly slow the rise and fall times of the backplane and segment drivers. These drivers are designed to have matching rise and fall times, but any residual mismatch will result in a DC offset across the LCD. This DC offset is directly proportional to the backplane frequency, so the lowest acceptable backplane frequency (usually 30Hz) should be used when driving very large LCDs. A simple way of lowering the backplane frequency is to connect an external capacitor from the OSCillator (pin 36) to either ground or  $V^+$ . The graph in the Typical Characteristics curves shows the relationship between the value of this external capacitor and the backplane frequency. The backplane frequency can also be controlled by externally driving the OSCillator pin. Figure 12 shows a method of setting the backplane frequency to precisely 32Hz.

If the indium traces on the LCD glass itself are very long and they have high sheet resistance, the resistance of the trace will form an RC delay with the capacitance of the LCD. The phase shift caused by this RC delay causes a small voltage to appear across the LCD segments that are supposed to be in the off state. This may cause "ghosting" or a slight turn-on of segments that are supposed to be off. Reducing the backplane frequency or using LCDs that have a higher threshold will eliminate this problem.

## Annunciators or Flags

Many LCD displays have annunciators or flags in addition to the 7 segment digits. Figure 13 shows several different methods of driving LCD segments used as annunciators or flags. Output A of Figure 13 is driven by a CMOS exclusive OR (XOR) gate. The XOR's output is either the same as the backplane or the complement of the backplane, depending on the logic level on the input. With a "1" at the logic input the XOR output is the complement of the backplane and the LCD segment is turned on. Output B is connected to the backplane through a 1 M $\Omega$  resistor. When the analog switch is open, output B will be the backplane signal and the segment will be off. When the analog switch is closed, output B will be the complement of the backplane signal and the segment will be on. Output C is simply the complement of the backplane signal, and any segment (such as a decimal point) connected to output C will always be turned on. Output D is another way of turning on a decimal point, but since the voltage at D is simply the average DC voltage of the backplane signal, the total applied voltage across a segment connected to D is only 5 Vpk-pk (assuming 5V  $V^+$ ) rather than the 10Vpk-pk drive received by a segment connected to output C. The resistor-capacitor drive method of output D should be used only with low threshold LCDs. Unused LCD segments should be tied to the backplane, NOT allowed to float. A floating segment, while usually remaining off, may be driven by leakage currents or

capacitive coupling with other segments and become a "ghost" or slightly turned on.

If one or more of the ICM7211 digits are not used, they can be used to drive annunciator segments without using any external logic. If only two annunciator segments need to be driven, connect the annunciator segments to segments B and D of the unused digit. That digit is then loaded with the data  $\overline{A2}, \overline{A1} 11$ , where A1 and A2 are the data for the two annunciators.

Three annunciators can be driven from one unused digit, but the input data to select all 8 possible combinations of annunciator states must be obtained from a look-up table. Two possible arrangements are shown in Table 2.

## Driving an 8 Digit LCD with Common Backplane

In order to drive 8 LCD digits that have a common backplane, the backplanes of two ICM7211s must be synchronized. In figure 14 the left hand ICM7211's Backplane pin is turned into an input by grounding its oscillator pin. The right hand ICM7211 then drives both the LCD backplane and the Backplane pin of the left hand ICM7211.

## Memory Mapped 8048 Microprocessor Interface

In figure 15 the digit select lines DS1 and DS2 are driven by the address latched from the 8048's multiplexed data and address bus. The data is then written into the selected digit by the WR line. The 74LS138 is used to decode eight blocks, each four bytes long, starting at address 32 (decimal). The ICM7211s are addressed by MOVX instructions to these external ram locations. The extra decoded outputs of the 74LS138 can be used as chip selects for other I/O devices.

## Microprocessor Interface via I/O Port

Figure 16 shows one 8 bit I/O port driving two ICM7211s or ICM7212s. The data and digit selects are controlled by the lower 6 bits, while the upper two bits control which display driver receives the data.

## Remote Display via UART

The serial input stream is assembled into an 8 bit parallel output by the UART, then the UART brings the DR (data ready) line high (See Figure 17). The schmitt trigger and RC delay drive both the  $\overline{CS}$  inputs of the ICM7211s and the  $\overline{DRR}$  (data ready reset) pin of the UART. When the schmitt trigger drives the  $\overline{DRR}$  low, the DR pin goes low, and after a short delay, the output of the schmitt trigger output goes back high. This low-going pulse on the schmitt trigger output latches the data into the ICM7211s.

## Display Interface for ICL7135 A/D

Figure 18 shows an ICM7212 interfaced to the 4½ digit A/D, ICL7135. The polarity and ½ digit segments are driven by D flip-flops that latch polarity and ½ digit data at the end of each measurement. The ICL7135









# Four Digit Display Decoder/Drivers

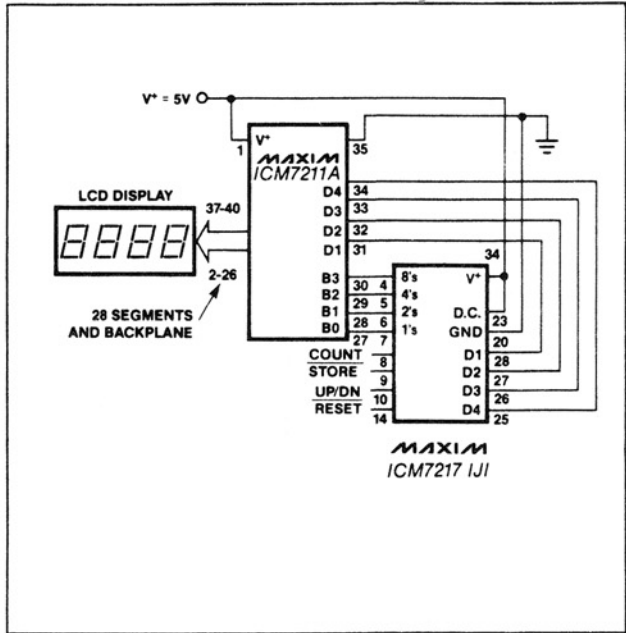


Figure 20. ICM7217 to LCD Interface.

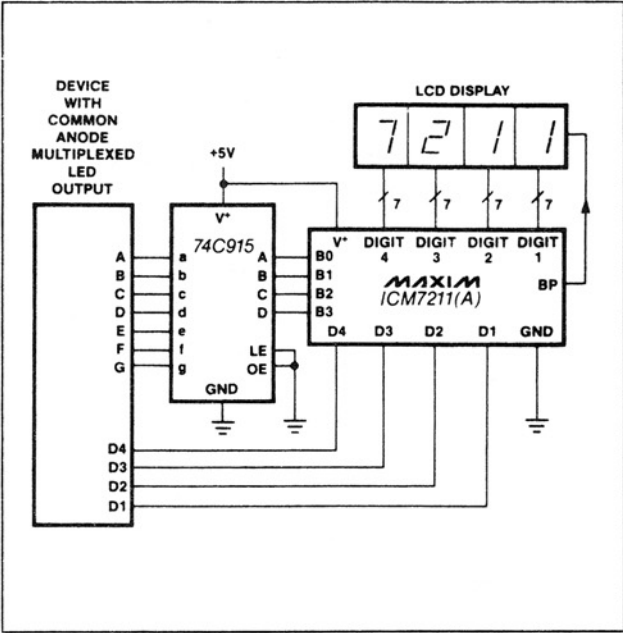
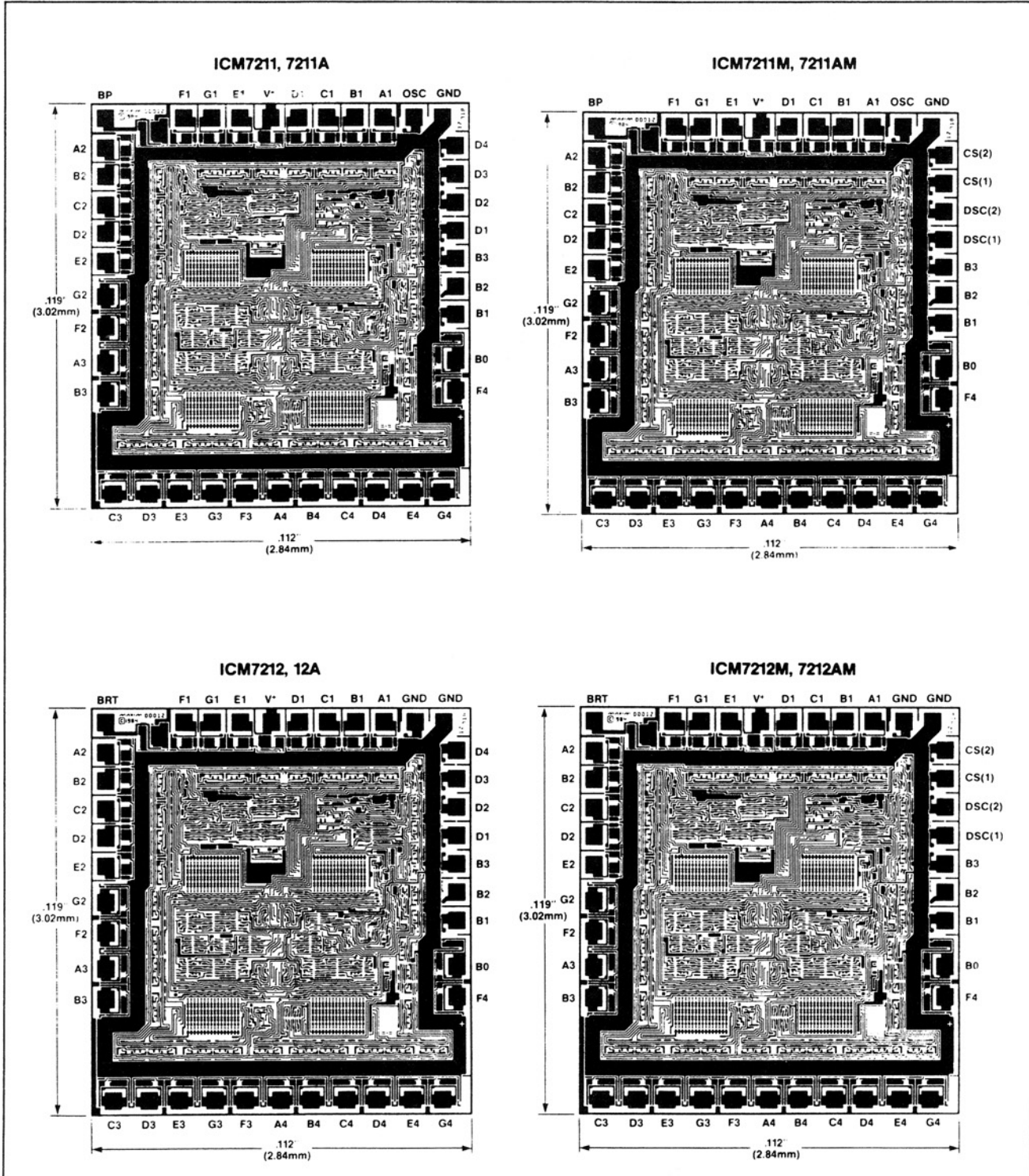


Figure 21. Multiplexed LED Driver to LCD Interface.

# Four Digit Display Decoder/Drivers

## Chip Topography

ICM7211/7212



Maxim cannot assume responsibility for use of any circuitry other than circuitry entirely embodied in a Maxim product. No circuit patent licenses are implied. Maxim reserves the right to change the circuitry and specifications without notice at any time.