

# IDP31-215W

**100% flat fronted touch, industrial grade monitors. Ultra thin profile, smooth rounded corners, bezel-less, and rugged glass fronted for a totally contemporary outlook**



## Features

- 21.5" LCD wide screen panel with LED backlight for long service life
- Wide operating temperature 0 to 45° C
- Regular brightness 250 cd/m<sup>2</sup>
- True flat surface – contemporary Proflat style
- Wide viewing angle horizontally and vertically
- Built-in speakers
- Thin profile, enclosure – no additional enclosures or metalwork required
- Multi-touch PCT touch screen with USB interface
- Flexible signal interface: VGA, DVI & HDMI
- Back VESA mounting
- Anti-Reflective surface treatment for sunlight readable enhancement (optional)
- RS-232 port for remote control (optional)

## Introduction

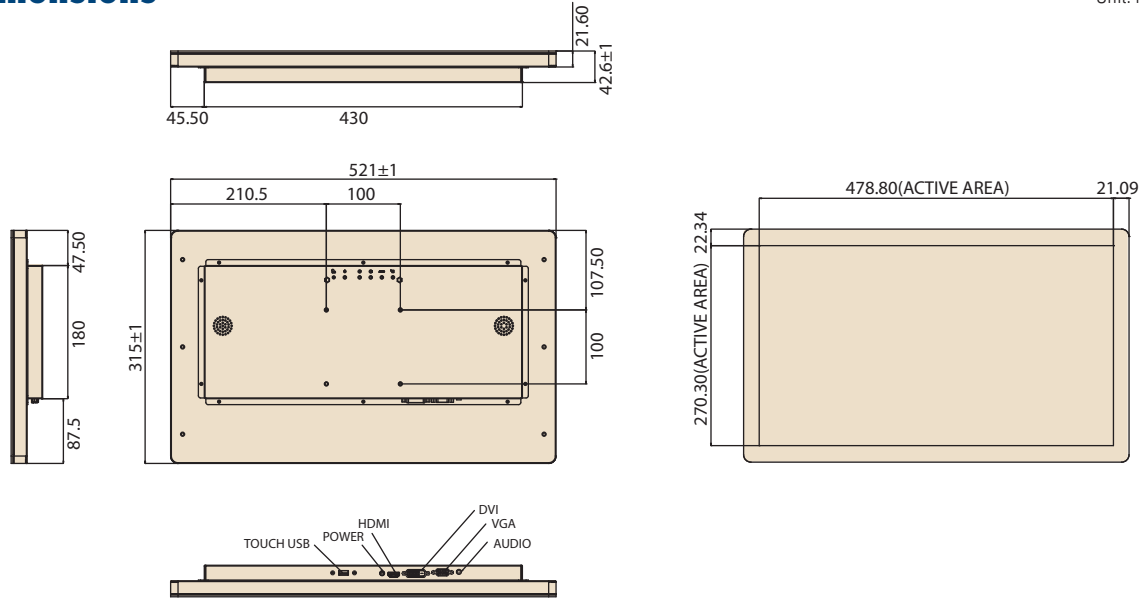
The IDP31-215W Proflat monitor responds to a demand for contemporary styling in demanding applications such as public signage, front of house information, medical and point-of-sale. The product features a truly-flat, easy to clean and maintain glass surface with long term product availability. IDP31-215W is cleverly packaged in such a way that no further mechanical parts are needed other than a VESA mount to create a display system. The use of a metal chassis provides a rugged and stable platform to build solutions for the widest range of applications.

## Specifications

Display Features	Spec	Notes
Model	IDP31-215W	
Backlight	LED	Light source
Resolution	1920 x 1080	Full HD
Brightness	250 cd/m <sup>2</sup>	Measured at typical operating voltage
Viewing Angle	178/178	Horizontal/Vertical
Max Colors	16.7M	
Contrast Ratio	1000:1	
Response Time	14 ms	Typical
Backlight Lifetime	30,000 hours	Minimum
Touchscreen Type	Projected Capacitive	10 points
Surface Hardness	6H	Pencil hardness
Transparency	86%	Minimum
Cover Glass Thickness	3mm	
Operating Temperature	0 ~ 45° C	
Storage Temperature	-20 ~ 60° C	
Humidity	90% @ 40° C	Non-condensing
Input/Output	HDMI x 1; VGA x 1; DVI-D x 1 Audio x 1 (audio output 3W) 12 V <sub>DC</sub> Jack x 1; USB x 1	USB is reserved for the connection to enable touch only
OSD	Keys: Menu, Up, Down, Auto Adjust, Monitor Power on/off Menu Functions: Brightness, Contrast, Screen Settings, Color Temp, Language OSD settings, VGA/DVI, Recall, Auto Adjust	
Power Consumption	16W	
Power Input	12V <sub>DC</sub> ± 5%	With barrel connector 5.5 x 2.5 mm

**Dimensions**

Unit: mm [inch]



**Ordering Information**

Model Name	Description
IDP31-215WP25HIB2	21.5" widescreen, Industrial black ProFlat monitor with PCT Multi-touch touchscreen, 250 cd/m <sup>2</sup> brightness, VGA & DVI & HDMI input

**Optional Items**

Part Number	Description
1700027186-01	HDMI cable 1.5 meter
1700023591-01	HDMI cable 1.2 meter
1702002600	3-Pin power cord (USA)
1700000596	3-Pin power cord (China)
1700018705	3-Pin power cord (EU)
1700008921	3-Pin power cord with PSE (Japan)
1700000243-11	DVI cable 2.0 meter
96PSA-A60W12R1-1	Adapter AC100-240V 60W +12V/5A DPS-60PB A

**Packing List**

Part Number	Description
1700002215	1 x M Cable USB-A(M)/USB-A(M) 180CM
1700021332-11	1 x VGA cable 15P(M) 1.8 meter