

IDP31-215W

21.5" Bezel-less Touch Monitor

IDP31-215WP25HIB2



IDP31-215WP25HIC1/IDP31-215WPK2HIC1



Features

- 21.5" LCD wide screen panel with LED backlight delivers a long service life
- Supports wide operating temperatures
- True flat surface – contemporary Proflat design
- Wide viewing angles support portrait and landscape modes
- Thin profile enclosure eliminates need for additional casing or metalwork
- Multi-touch PCAP touchscreen with USB interface
- Optional anti-reflective surface treatment empowers sunlight readability
- Increase panel brightness to 1200 nits using an optional enhancement
- IP rating for water and dust protection

Introduction

Advantech's IDP31-215W Proflat monitor meets demands for stylish contemporary public signage, medical, and POS applications. This solution features a flat, easy to clean/maintain glass surface with long-term product availability. IDP31-215W can be used in either portrait or landscape modes using a VESA mount. This solution's metal chassis creates a rugged and stable platform for a wide range of applications and solutions.

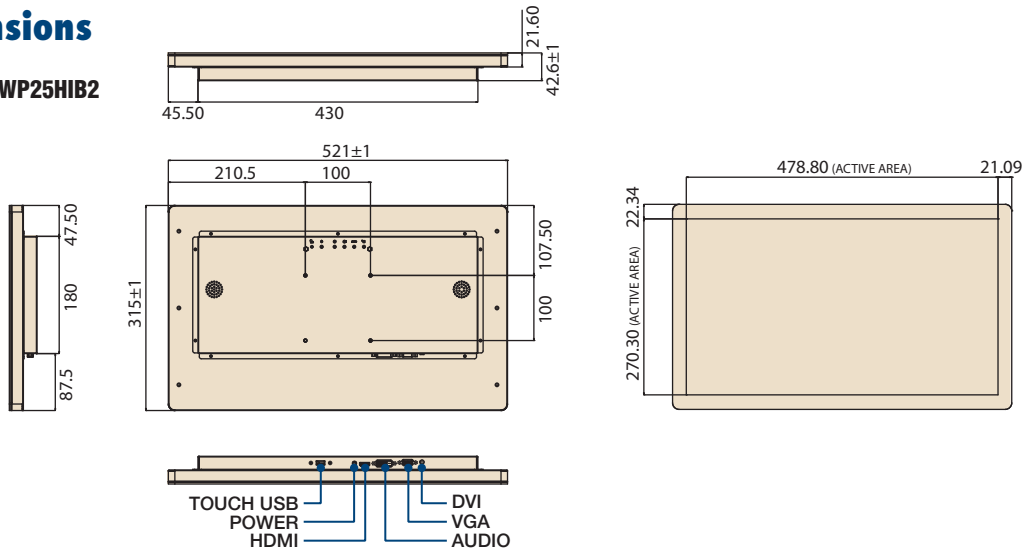
Specifications

Display Features	Spec			Notes
Model	IDP31-215WP25HIB2	IDP31-215WP25HIC1 (E-SKU)	IDP31-215WPK2HIC1	
Backlight	LED	LED	LED	
Resolution	1920 x 1080	1920 x1080	1920 x1080	Full HD
Brightness	250 cd/m ²	250 cd/m ²	1200 cd/m ²	Measured at typical operating voltage
Viewing Angle	89°/89°/89°/89°	89°/89°/89°/89°	89°/89°/89°/89°	Left/Right/Up/Down
Max Colors	16.7M	16.7M	16.7M	
Contrast Ratio	1000:1	1000:1	1000:1	
Response Time	14 ms	22 ms	22ms	
Backlight Lifetime	30,000 hours	50,000 hours	50,000 hours	
Touchscreen Type	Projected Capacitive	Projected Capacitive	Projected Capacitive	
Surface Hardness	7H	7H	7H	
Transparency	86%	85%	85%	
Cover Glass Thickness	3 mm	1.8 mm	1.8 mm	
Operating Temperature	0 ~ 45 °C	0 ~ 60 °C	0 ~ 55 °C	
Storage Temperature	-20 ~ 60 °C	-20 ~ 60 °C	-20 ~ 60 °C	
Humidity	90% RH @ 40 °C	90% RH @ 40 °C	90% RH @ 40 °C	Non-condensing
Input/Output	1 x HDMI; 1 x VGA; 1 x DVI; 1 x Audio (audio output 3W) 1 x 12 V _{DC} Jack; 1 x USB	1 x HDMI, 1 x 12 V _{DC} Jack, 1 x USB	1 x HDMI, 1 x 12 V _{DC} Jack, 1 x USB	USB is reserved for the connection to enable touch only
OSD	Keys: Menu, Up, Down, Auto Adjust, Monitor Power on/off Menu Functions: Brightness, Contrast, Screen Settings, Color Temp, Language OSD settings, Recall, Auto Adjust	Keys: Menu/Sel, Right/UP, eft/Down, Exit, Monitor Power n/off Key Functions: Brightness, Contrast, Screen Settings, Color emp, Language	Keys: Menu/Sel, Right/UP, eft/Down, Exit, Monitor Power n/off Key Functions: Brightness, Contrast, Screen Settings, Color emp, Language	
Power Consumption	16W	14W	43W	
Power Input	12V _{DC}	12V _{DC}	12V _{DC}	
Mounting	VESA mount	VESA/Panel mount	VESA/Panel mount	
IP Rating	Front IP54	Front IP67	Front IP67	
Weight	4.8 kg	5.4 kg	5.4 kg	

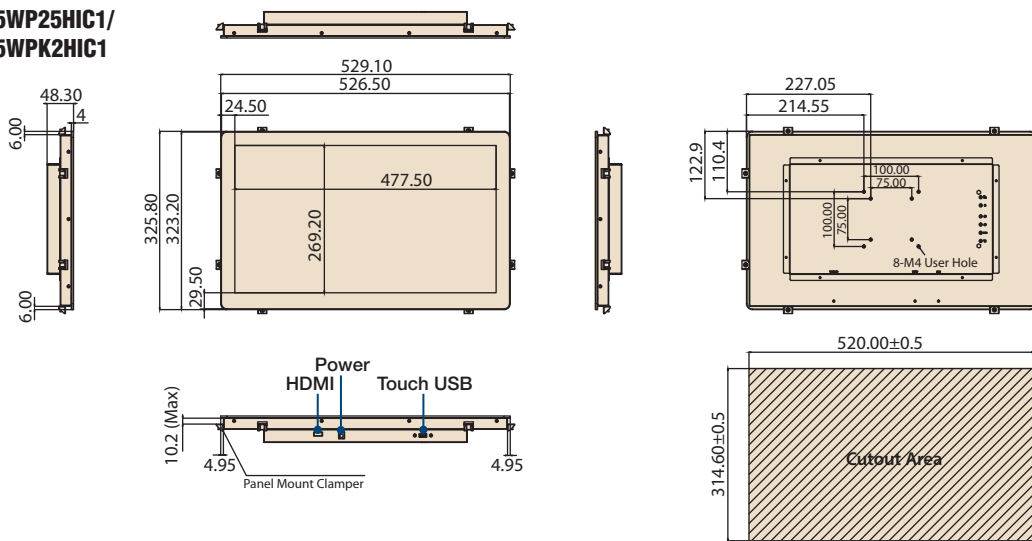
Dimensions

Unit: mm [inch]

IDP31-215WP25HIB2



**IDP31-215WP25HIC1/
IDP31-215WPK2HIC1**



Ordering Information

Model Name	Description
IDP31-215WP25HIB2	250 cd/m ² brightness, VGA, DVI, and HDMI input
IDP31-215WP25HIC1	250 cd/m ² brightness, HDMI input
IDP31-215WPK2HIC1	1200 cd/m ² brightness, HDMI input

Optional Items

Part Number	Description
1702002600	3-Pin power cord (USA)
1700000596	3-Pin power cord (China)
1700018705	3-Pin power cord (EU)
1700018704	3-Pin power cord (UK)
1700000237-31	3-Pin power cord with PSE (Japan)
96PSA-A60W12R1-3	Adapter 100-240Vac, 12V _{DC} /5A, PLUG 90°
1700023591-01	HDMI cable 1.2 m

Packing List

IDP31-215WP25HIB2

Part Number	Description
1700002215-11	1 x M cable USB-A(M)/USB-A(M) 180CM
1700021332-11	1 x VGA cable 15P(M) 1.8 m (5.9 ft)

IDP31-215WP25HIC1/IDP31-215WPK2HIC1

Part Number	Description
1700002215-11	1 x M cable USB-A(M)/USB-A(M) 180CM
1700027186-01	1 x HDMI cable 1.5 meter
1992610005	1 x Cable clamp
1962055040	8 x Clamper
1992602010	2 x Cable tie
1990020706S000	2 x USB cable clip
1931030602	2 x Screw M3_6L
1933030500	1 x Screw of cable clamp
1930002205	8 x Screw M4_30L

All Advantech monitors are configurable to order. Use www.advantech.com for guidance on versions, pricing and deliver for all models