

# IDS-3210

## 10.4" Industrial Panel Mount Monitor

**NEW**



### Features

- 10.4" SVGA and XGA LCD panel with LED backlight for 20% power saving and environmental protection
- -20° C ~ +60° C wide range operating temperature
- 5-wire resistive and P-cap touch screen solution or 3mm tempered smudge resistant protected glass
- Combo touch interface: RS-232 and USB
- Dual signal interface with VGA & DVI
- Standard integrated frame
- Versatile mounting methods for front mounting and VESA mounting
- Anti-Reflective treatment (optional)
- Ultra high brightness solution of 1200 cd/m<sup>2</sup> for outdoor application (optional)

### Introduction

The Advantech IDS-3210 Embedded Panel Mount Monitor series offers flexible options for LCD, touchscreen, signal interface and chassis mounting. The series with standard integrated frame design, supports front and VESA mounting which brings the benefits of easy installation and provides flexibility for different applications.

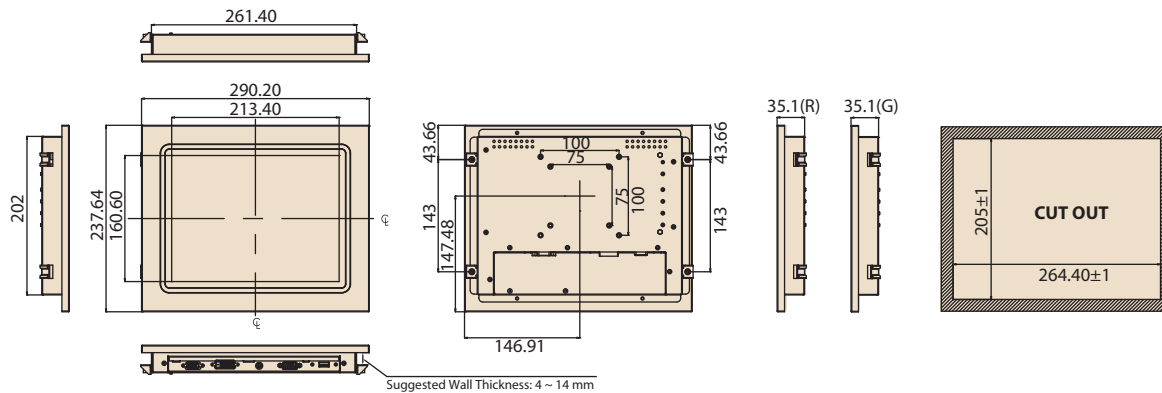
### Specifications

	Model	IDS-3210	IDS-3210E	IDS-3210 XGA
Display	Size	10.4" LED panel	10.4" LED panel	10.4" LED panel
	Resolution	800 x 600 (SVGA)	800 x 600 (SVGA)	1024 x 768 (XGA)
	Viewing Angle	80°/80° (H), 60°/80° (V)	80° /80° (H), 60° /70° (V)	88°/88° (H), 88°/88° (V)
	Brightness	400 (cd/m <sup>2</sup> )	230 (cd/m <sup>2</sup> )	500 (cd/m <sup>2</sup> )
	Color Support	16.2M / 262K colors	16.2M / 262K colors	16.2M colors
	Contrast Ratio	700:1	500:1	1000:1
	Response Time	30 [msec]	35 [msec]	25 [msec]
	Backlight Life (hrs)	50,000 hrs	30,000 hrs	50,000 hrs
	Touchscreen	Touchscreen Type	5-Wire Resistive Touchscreen	
Surface Hardness		3H		3H / Mohs 5
Durability		36 million touches		36 million touches / -
Transparency		82%±3%		82% / 90%
Environment	Operating Temperature	-20 ~ 60 °C (-4 ~ 140 °F)	0~ 45 °C (32 ~ 113 °F)	-20 ~ 60 °C (-4 ~ 140 °F)
	Storage Temperature	-30 ~ 70 °C (-22 ~ 158 °F)	-20 ~ 60 °C (-4 ~ 140 °F)	-30 ~ 70 °C (-22 ~ 158 °F)
	Humidity	10 ~ 90% @ 40 °C, non-condensing		
System	I/O	VGA x 1; DVI-D x 1; 12 V <sub>DC</sub> Jack x 1; USB x1; RS-232 x 1 (USB & RS-232 are reserved for the connection to enable touch usage only)	VGA x 1; 12 V <sub>DC</sub> Jack x 1; USB x1; RS-232 x 1 (USB & RS-232 are reserved for the connection to enable touch usage only)	VGA x 1; DVI-D x 1; 12 V <sub>DC</sub> Jack x 1; USB x1; RS-232 x 1 (USB & RS-232 are reserved for the connection to enable touch usage only)
	OSD	Keys: menu, up, down, auto adjust, monitor power on/off Menu Functions: brightness, contrast, screen settings, color temp, language OSD settings, VGA/DVI, recall, auto adjust	Keys: menu, up, down, auto adjust, monitor power on/off Menu Functions: brightness, contrast, color adjust, color temp, auto color and language	Keys: menu, up, down, auto adjust, monitor power on/off Menu Functions: brightness, contrast, screen settings, color temp, language OSD settings, VGA/DVI, recall, auto adjust
	Power	36 W power adapter, with AC 100 ~ 240 V input and DC +12 V @ 3 A output		
	EMC Compliance	CE/FCC/CCC		

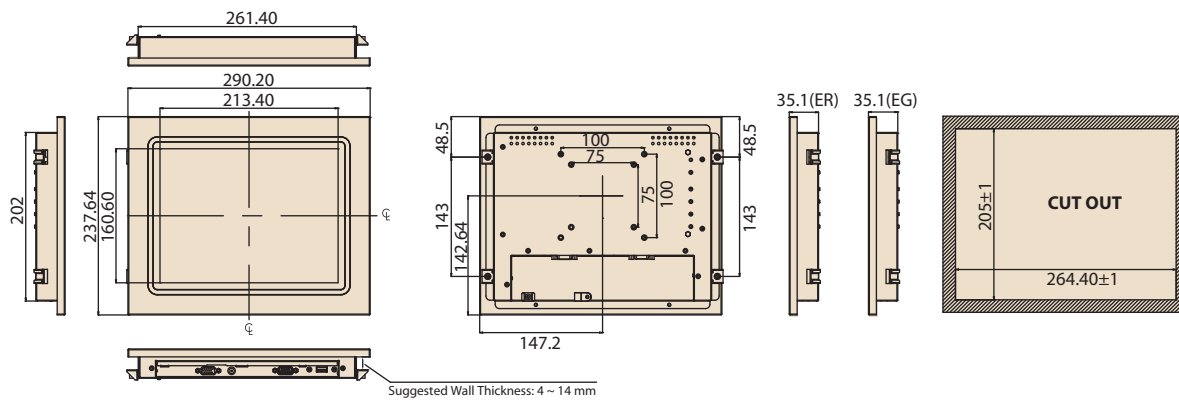
# Dimensions

Unit: mm

## IDS-3210 series



## IDS-3210E series



## IDS-3210 XGA series with resistive touch screen / glass

