

Altech Corp.®

Serving the Automation & Control Industry since 1984



ISO 9001
QMI-SAI Global



TOWER LIGHTS

Altech Corp.®

Since 1984, Altech Corporation has grown to become a leading supplier of automation and industrial control components. Headquartered in Flemington, NJ, Altech has an experienced staff of engineering, manufacturing and sales personnel to provide the highest quality products with superior service. This is the Altech Commitment!

With experienced Product Engineers and Customer Service personnel, Altech provides solutions to your most pressing application challenges. All with one thought in mind - *to ensure that we solve your problem the first time!*



Altech's Commitment

Altech's Automation and Control components meet applicable national and international standards, such as UL, NEC, CSA, IEC and VDE. Altech provides these products with superior customer service and delivery through a ISO 9001 Quality Management system, which stresses continuous process improvement. We perform these services with honesty and integrity. All Altech employees are trained in this Quality Management System and are dedicated to achieve these goals. Altech's quality system has been ISO approved since 1999.



Table of Contents

Introduction.....4

Technical Information5

Lens with Integrated LED6

Lens with Built-In Buzzer7

Sound Module7

Accessories8

Bases8-9

Tower Light Selection.....10

Standard Available Combinations10

Installation Instructions11

Multi-Color LED Light12

Multi-Color LED Light for PLC Applications.....13

LED Inspection Light14

Index.....15



Switch Colors Easily and Set Your Own Combination



- Sleek & Stackable Design
- SMD LED technology
- Uniform & bright illumination
- Continuous, Flashing and Rotary Integrated LED Light Modules available
- Flexibility to upgrade from Single LED Unit to multiple LED Units
- IP 65 protection
- Wide voltage range from 12V AC/DC to 240V AC
- Optional feature of Buzzer with dual sound mode - continuous or intermittent with 80 dB output.

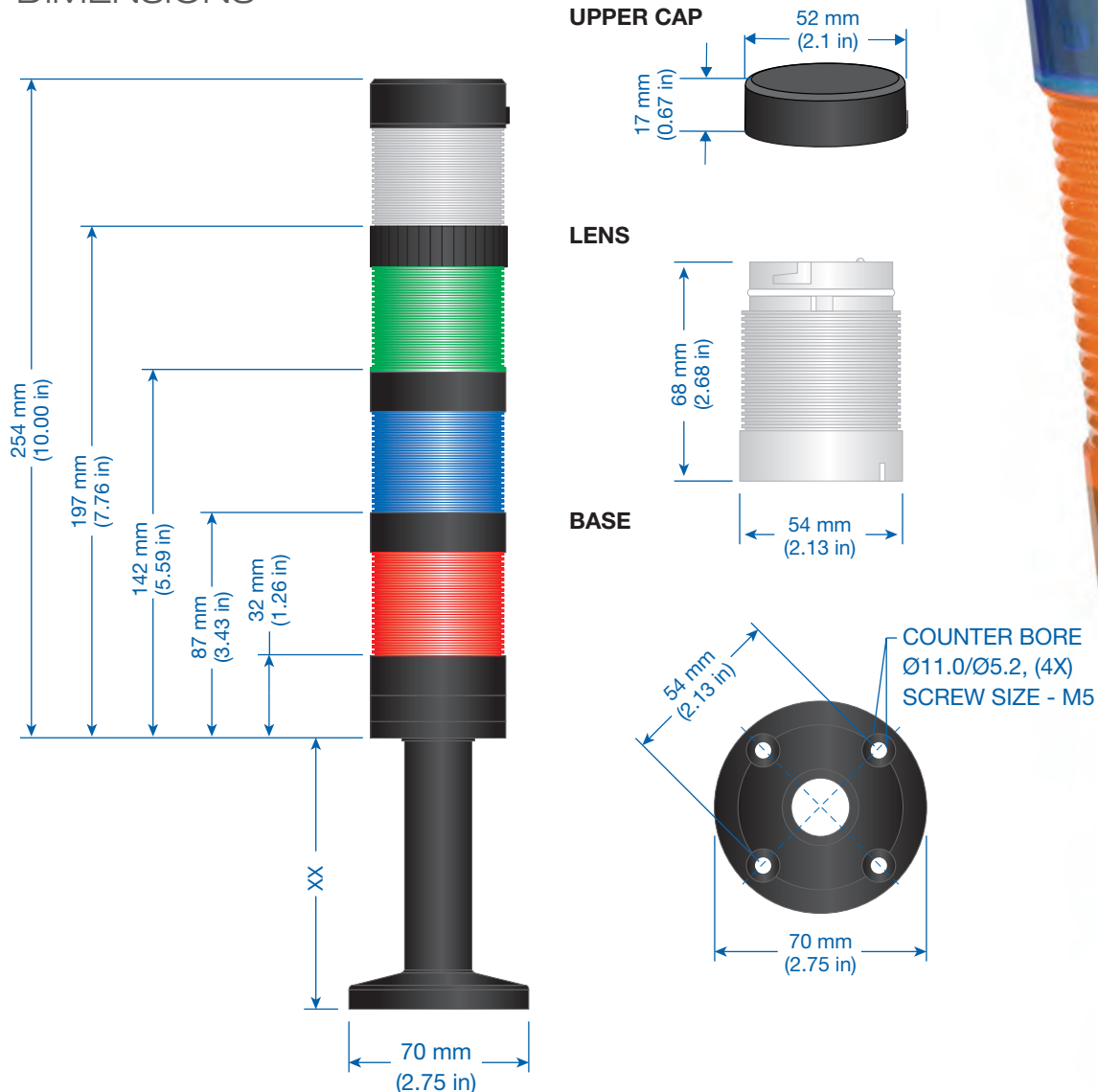


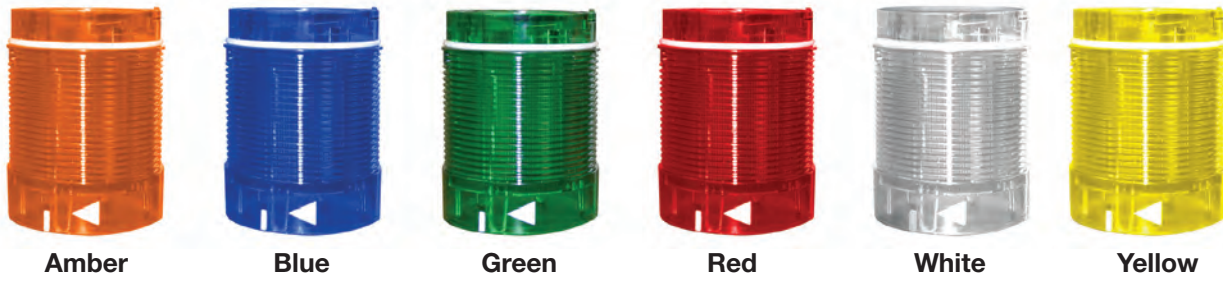
The UL standard extends to: 1 | 2 | 3 | 3R | 4 | 4X | 12 | 13
Indoor or outdoor use primarily to provide a degree of protection against corrosion, windblown dust and rain, splashing water, hose-directed water, and damage from external ice formation.

TECHNICAL INFORMATION

| | |
|------------------------|---|
| Outer Diameter | Ø50mm |
| Degree of Protection | IP65, NEMA Type 4X and 13, UL 508 |
| LED Type | SMD |
| Unit Color | Red / Green / Amber / Blue / White |
| Unit Signalling Effect | Continuous, Blinking & Revolving |
| Buzzer Color | Black |
| Buzzer Mode | 80dB ± 5dB |
| Sounding Mode | Continuous or Intermittent |
| Available Voltages | 12V AC/DC; 24V AC/DC 120V AC; 240V AC |
| Voltage Tolerance | ±10% of rated voltage |
| Operating Temperature | -30°C to 60°C |
| Surge Test | 2 KV |
| HV Test for 60 Seconds | 1.5 KV |
| Current Rating | 20-40mA for 12V AC/DC; 24V AC/DC 10-20mA for 120V AC & 240V AC |

DIMENSIONS





Lens with Integrated LED

| Voltage | Mode | Amber | Blue | Green | Red | Yellow | White |
|------------------|----------------|----------|----------|----------|----------|----------|----------|
| 12V AC/DC | Continuous LED | TL50LA1T | TL50LB1T | TL50LG1T | TL50LR1T | TL50LY1T | TL50LW1T |
| | Flashing LED | TL50LA2T | TL50LB2T | TL50LG2T | TL50LR2T | TL50LY2T | TL50LW2T |
| | Rotating LED | TL50LA3T | TL50LB3T | TL50LG3T | TL50LR3T | TL50LY3T | TL50LW3T |
| 24V AC/DC | Continuous LED | TL50LA1U | TL50LB1U | TL50LG1U | TL50LR1U | TL50LY1U | TL50LW1U |
| | Flashing LED | TL50LA2U | TL50LB2U | TL50LG2U | TL50LR2U | TL50LY2U | TL50LW2U |
| | Rotating LED | TL50LA3U | TL50LB3U | TL50LG3U | TL50LR3U | TL50LY3U | TL50LW3U |
| 110V AC | Continuous LED | TL50LA1W | TL50LB1W | TL50LG1W | TL50LR1W | TL50LY1W | TL50LW1W |
| | Flashing LED | TL50LA2W | TL50LB2W | TL50LG2W | TL50LR2W | TL50LY2W | TL50LW2W |
| | Rotating LED | TL50LA3W | TL50LB3W | TL50LG3W | TL50LR3W | TL50LY3W | TL50LW3W |
| 240V AC | Continuous LED | TL50LA1X | TL50LB1X | TL50LG1X | TL50LR1X | TL50LY1X | TL50LW1X |
| | Flashing LED | TL50LA2X | TL50LB2X | TL50LG2X | TL50LR2X | TL50LY2X | TL50LW2X |
| | Rotating LED | TL50LA3X | TL50LB3X | TL50LG3X | TL50LR3X | TL50LY3X | TL50LW3X |

TOWER LIGHTS LENS DECODING

Luminous Lens Selection Decoding

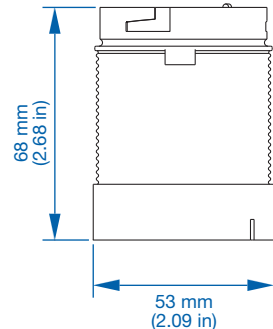


I - Series
TL50L-TL Series
with 50 mm dia
Luminous Lens

II - Color
A - Amber
B - Blue
G - Green
R - Red
W - White
Y - Yellow

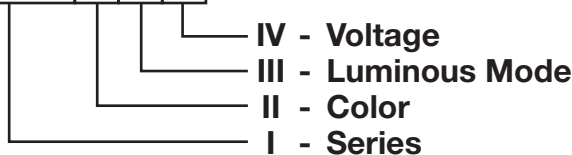
III - Luminous Mode
1 - Continuous Light
2 - Blinking Light
3 - Revolving Light
Z1 - Continuous Light + Continuous Buzzer
Z2 - Flashing Light + Intermittent Buzzer

IV - Voltage
T - 012V AC/DC
U - 024V AC/DC
W - 110V AC
X - 240V AC

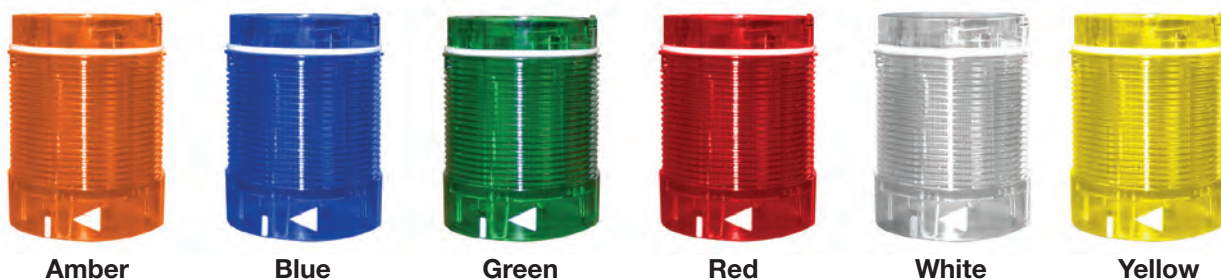


For example:

Cat. No. **TL50L A 1 X**



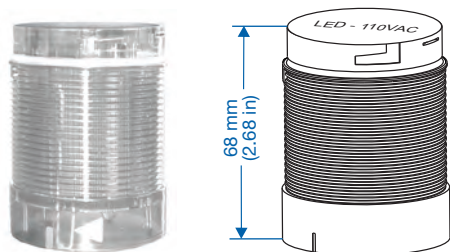
IV - Voltage
III - Luminous Mode
II - Color
I - Series



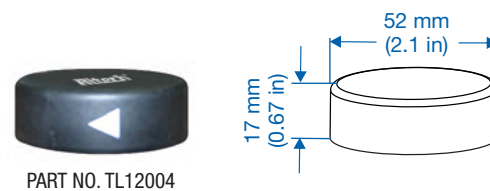
Lens with Built-In Buzzer, 80db

| Voltage | Mode | Amber | Blue | Green | Red | Yellow | White |
|------------------|---------------------|-----------|-----------|-----------|-----------|-----------|-----------|
| 12V AC/DC | Continuous Buzzer | TL50LAZ1T | TL50LBZ1T | TL50LGZ1T | TL50LRZ1T | TL50LYZ1T | TL50LWZ1T |
| | Intermittent Buzzer | TL50LAZ2T | TL50LBZ2T | TL50LGZ2T | TL50LRZ2T | TL50LYZ2T | TL50LWZ2T |
| 24V AC/DC | Continuous Buzzer | TL50LAZ1U | TL50LBZ1U | TL50LGZ1U | TL50LRZ1U | TL50LYZ1U | TL50LWZ1U |
| | Intermittent Buzzer | TL50LAZ2U | TL50LBZ2U | TL50LGZ2U | TL50LRZ2U | TL50LYZ2U | TL50LWZ2U |
| 110V AC | Continuous Buzzer | TL50LAZ1W | TL50LBZ1W | TL50LGZ1W | TL50LRZ1W | TL50LYZ1W | TL50LWZ1W |
| | Intermittent Buzzer | TL50LAZ2W | TL50LBZ2W | TL50LGZ2W | TL50LRZ2W | TL50LYZ2W | TL50LWZ2W |
| 240V AC | Continuous Buzzer | TL50LAZ1X | TL50LBZ1X | TL50LGZ1X | TL50LRZ1X | TL50LYZ1X | TL50LWZ1X |
| | Intermittent Buzzer | TL50LAZ2X | TL50LBZ2X | TL50LGZ2X | TL50LRZ2X | TL50LYZ2X | TL50LWZ2X |

LENS

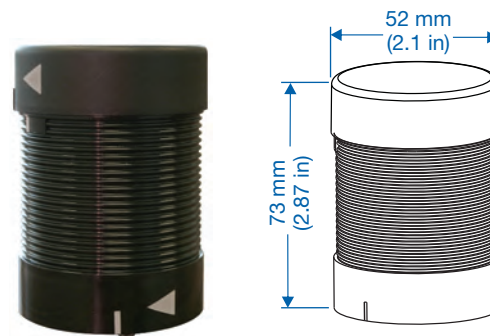


CAP



Sound Module*, 80db, black

| Voltage | Continuous Sound | Intermittent Sound |
|------------------|------------------|--------------------|
| 12V AC/DC | TL50Z1T | TL50Z2T |
| 24V AC/DC | TL50Z1U | TL50Z2U |
| 110V AC | TL50Z1W | TL50Z2W |
| 240V AC | TL50Z1X | TL50Z2X |



* CAP INCLUDED WITH SOUND MODULE AND IS NOT REMOVABLE.

BASES

(Accessories Included)



Short Base

TL5001

Length 60 mm with upper cap
(cap included)



Tall Base

TL5002

Length 110 mm with upper cap
(cap included)



Flush Mount Base

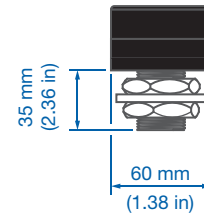
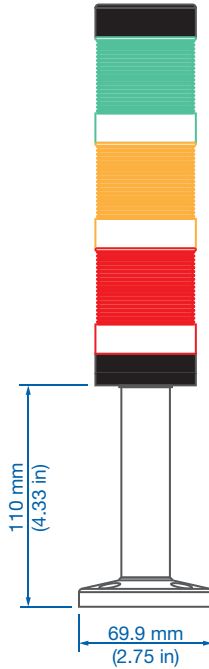
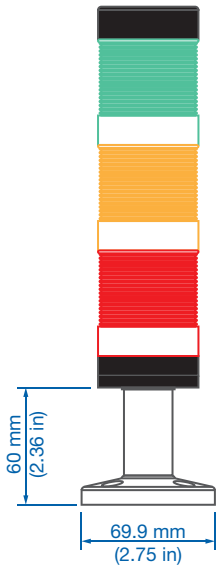
TL80101

24 mm thread

Flush Mount Base

TL5019

18 mm thread



ACCESSORIES (included with each base)



Cap

TL12004



Terminal Holder

TL122002



Terminal Holder Cover

TL122003

BASES



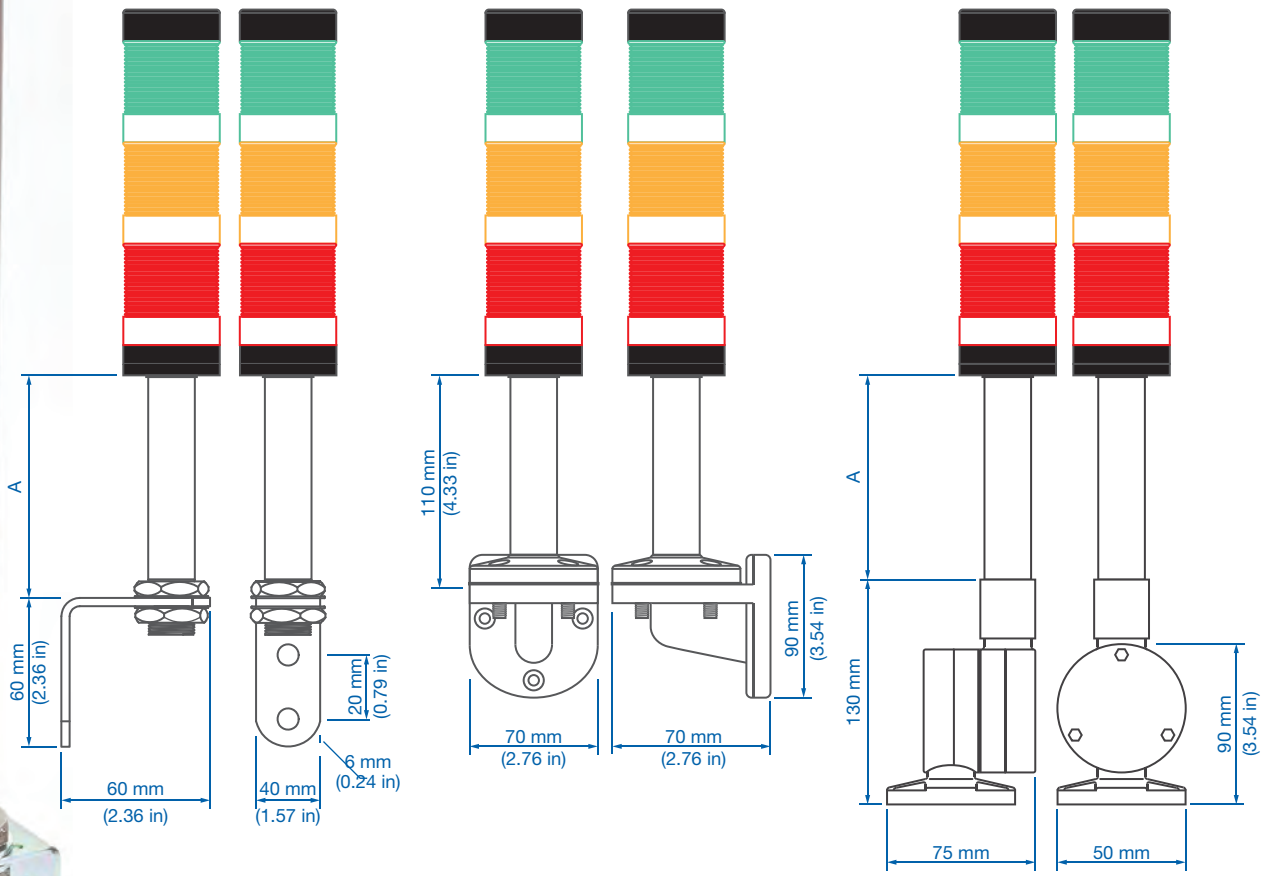
- Aluminum Base**
- TL70006 - 200 mm
 - TL70010 - 400 mm
 - TL70014 - 600 mm
 - TL70018 - 800 mm
 - TL70022 - 1000 mm



- Wall Mount
Base Adapter**
- TL122012A
(base not included)

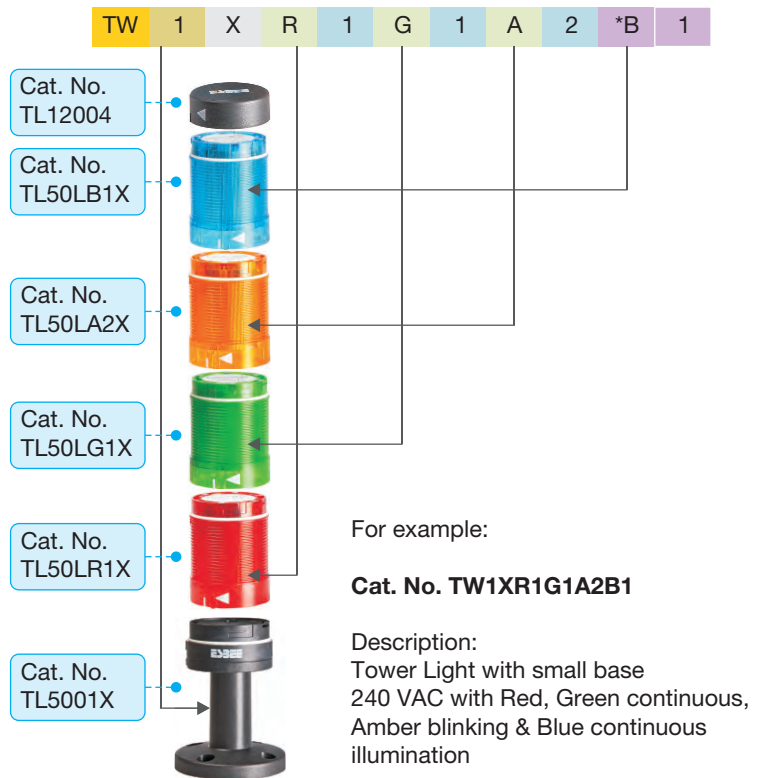


- Adjustable Base**
- TL60003 - 60 mm
 - TL60004 - 100 mm
 - TL60006 - 200 mm
 - TL60010 - 400 mm



Tower Lights Selection

| | DESCRIPTION | Code |
|----------------------------|--------------------------------------|-----------|
| Tower Light | | TW |
| Base | Special Base | 0 |
| | Small Base (SB) | 1 |
| | Big Base (BB) | 2 |
| Voltage | 12V AC/DC | T |
| | 24V AC/DC | U |
| | 110V AC/DC | W |
| | 240V AC/DC | X |
| Unit color | Red | R |
| | Green | G |
| | Amber | A |
| | Blue | B |
| | White | W |
| | Yellow | Y |
| Luminous mode | Continuous | 1 |
| | Blinking | 2 |
| | Revolving | 3 |
| Buzzer / Light Combination | Continuous Light + Continuous Buzzer | 4 |
| | Flashing Light + Intermittent Buzzer | 5 |
| Buzzer* | Continuous | Z1 |
| | Intermittent | Z2 |



Standard Available Combinations

Tower Light Without Buzzer

| Type | Description | Part No. |
|--------------|--|--------------|
| Single Stack | Tower light with small base 120V AC with red continuous illumination | TW1WR1 |
| Single Stack | Tower light with small base 120V AC with red blinking illumination | TW1WR2 |
| Two Stack | Tower light with small base 120V AC with red continuous & green continuous illumination | TW1WR1G1 |
| Two Stack | Tower light with small base 24V AC/DC with red continuous & green continuous illumination | TW1UR2G2 |
| Three Stack | Tower light with small base 120V AC with red continuous, green continuous & blue continuous illumination | TW1WR1G1B1 |
| Three Stack | Tower light with small base 240V AC with green continuous, blue continuous and red blinking illumination | TW1XG1B1R2 |
| Four Stack | Tower light with small base 120V AC with red continuous, green continuous, blue continuous & amber continuous illumination | TW1WR1G1B1A1 |

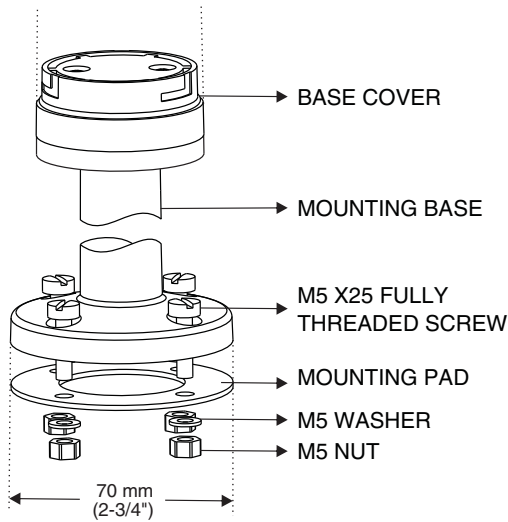
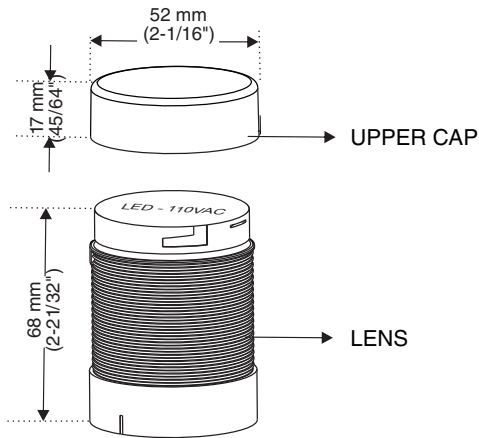
Tower Light With Buzzer

| Type | Description | Part No. |
|--------------|---|--------------|
| Single Stack | Tower light with small base 120V AC with buzzer continuous | TW1WZ1 |
| Two Stack | Tower light with small base 120V AC with red continuous illumination & buzzer continuous | TW1WR1Z1 |
| Two Stack | Tower light with small base 24V AC/DC with red blinking illumination & buzzer continuous | TW1UR2Z1 |
| Three Stack | Tower light with small base 120V AC/DC with red continuous, green continuous illumination & buzzer continuous | TW1WR1G1Z1 |
| Three Stack | Tower light with small base 24V AC/DC with red blinking, green continuous illumination & buzzer continuous | TW1UR2G1Z1 |
| Four Stack | Tower light with small base 120V AC with red continuous, green continuous, blue continuous & buzzer continuous | TW1WR1G1B1Z1 |
| Four Stack | Tower light with small base 24V AC/DC with green continuous, blue continuous, red blinking illumination & buzzer continuous | TW1UG1B1R2Z1 |

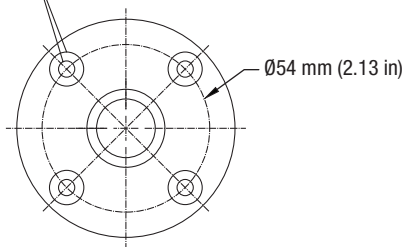
Note: Mentioned products are available as ex-stock, for any special requirement please refer to ordering information or contact Altech Corp.®.

Installation Instructions

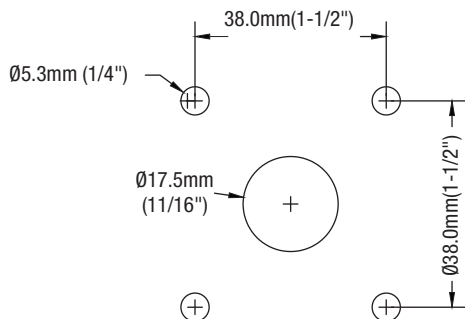
Dimensions



COUNTER BORE Ø1.0/Ø5.2, 4Nos.
(SCREW SIZE - M5)

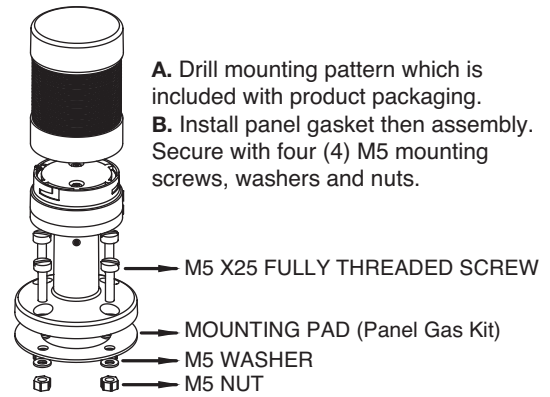


BOTTOM VIEW



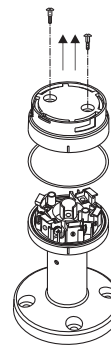
PANEL CUTOUT MOUNTING DIMENSIONS

Assembly Mounting

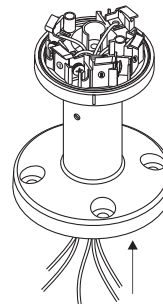


Electrical Wiring

STEP 1



STEP 2

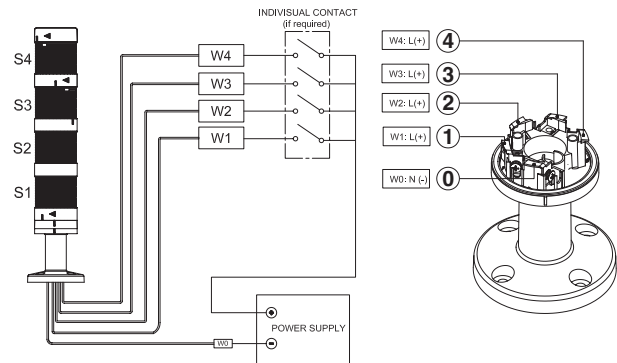


- B. Insert the wires from the bottom of the base through the center hole in the base.
C. The terminals are numbered and correspond to the module position.

| | |
|---|------------------------------|
| 0 | common or negative (AC / DC) |
| 1 | module position 1 |
| 2 | module position 2 |
| 3 | module position 3 |
| 4 | module position 4 |

- D. Insert the wires into the required terminations for the tower light and tighten to 0.5Nm (5lb* in).

Wiring Diagram



For proper installation and operation of the Tower Light please follow the instructions on both sides of product sheet included with each tower light.

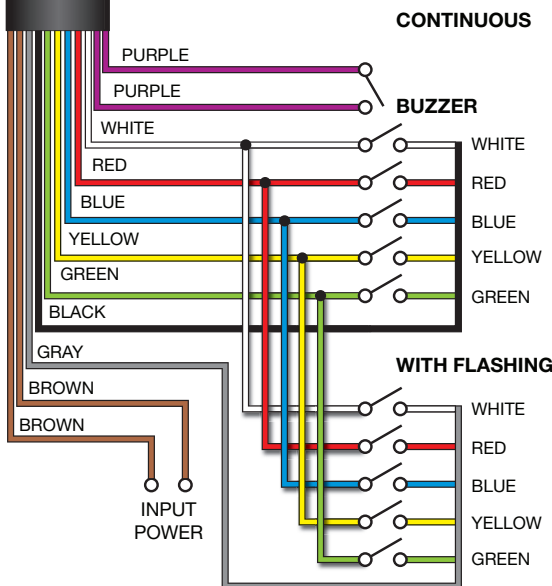


Multi-Color LED Light

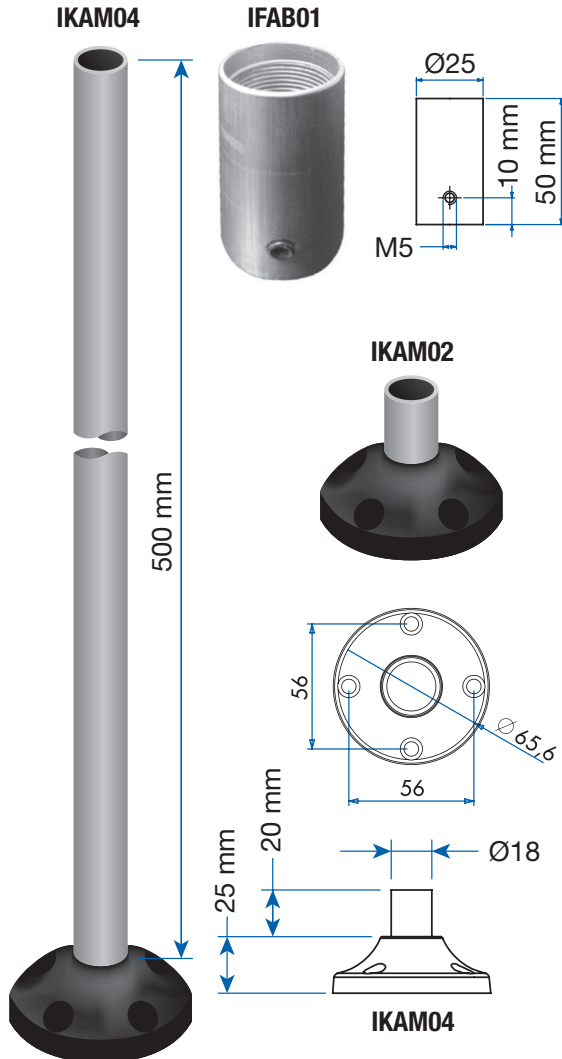
Multi-function LED signal tower
5 colors, Ø55mm
with Buzzer and Flasher



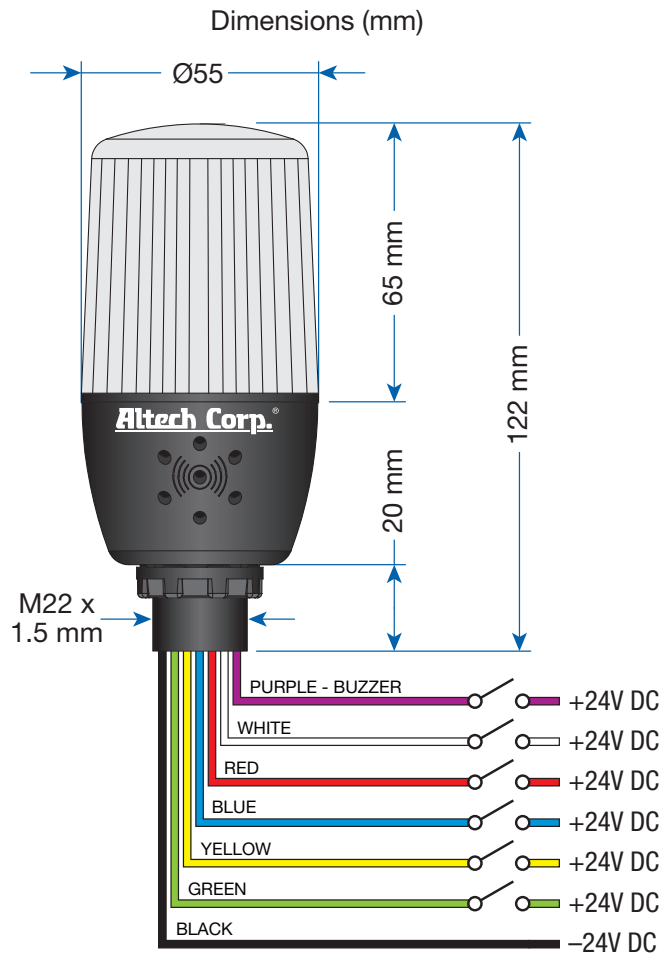
- **Single Unit** - 5 colors: White, Red, Blue, Yellow, Green.
One unit can light up in 5 different colors.
- Single color unit is also available (24V only)
- Flashing and normal LED mode available in same module.
- 90 dB Buzzer
- Multi-function LED signal tower.
- Continuous mode or flashing mode.
- M22x1.5 mm mounting option
- Direct mounting on the cabinet
- Pole mounted for better viability



Pole Connection Accessories



Multi-Colored LED Light for PLC Applications



Technical Information

- Heat resistant, clear vision polycarbonate signal modules
- Easy to install
- Easy wiring, 1 meter long standard cable
- Operating Temperature: -5 / +40 °C
- Electrical Life: 100,000 hours
- Protection Degree: IP65

Electrical Information

| | |
|---------------------------------|--------------|
| Operating Voltage (PLC version) | 24V DC ± 20% |
| Insulation Voltage | 300V |
| Sound Level | 80-90 dB |
| Power Consumption (Red) | 408 mW |
| Power Consumption (Yellow) | 552 mW |
| Power Consumption (Blue) | 360 mW |
| Power Consumption (Green) | 360 mW |
| Power Consumption (White) | 960 mW |
| Power Consumption (Buzzer) | 480 mW |

Ordering Information

| Part No. | Illumination | Features | Nominal Voltage | Std. Pk. |
|----------------|------------------|--|-----------------|----------|
| IF5M024ZM05-1 | Multi-color LED | with Buzzer | 24V AC/DC | 1 |
| IF5M110ZM05-1 | Multi-color LED | with Buzzer | 110V AC | 1 |
| IF5M220ZM05-1 | Multi-color LED | with Buzzer | 230V AC | 1 |
| IF5M024XM05-1 | Multi-color LED | - | 24V AC/DC | 1 |
| IF5M110XM05-1 | Multi-color LED | - | 110V AC | 1 |
| IF5M220XM05-1 | Multi-color LED | - | 230V AC | 1 |
| * IF5_024X05-1 | Single Color LED | | 24V AC/DC | 1 |
| * IF5_024Z05-1 | Single Color LED | with Buzzer | 24V AC/DC | 1 |
| IF5P024XM05-1 | Multi-color LED | for PLC Applications | 24V DC | 1 |
| IF5P024ZM05-1 | Multi-color LED | for PLC Applications with Buzzer | 24V DC | 1 |
| IFAB01 | - | Pipe Adapter | - | 1 |
| IKAM02 | - | 20mm Aluminum pole with Base (used with IFAB01) | - | 1 |
| IKAM04 | - | 500mm Aluminum pole with Base (used with IFAB01) | - | 1 |

*Add LED Color Codes: W- White R- Red B- Blue Y- Yellow G- Green

LED Inspection Light

Features

- Light weight & Maintenance free.
- 24 bright LED's offering a spectrum of illumination
- LED's with Long life of close to 100,000 continuous burning hours.
- IP 54 Protection
- Product made of robust, impact proof, corrosion resistance and fire retardant engineering plastic
- Low power consumption - less than 3 watts
- Designed with mounting hook
- LED inspection light is devoted to offering the light with the highest quality during elevator maintenance and panel inspections.

Technical Specifications

| | |
|-----------------------------------|-------------------------------------|
| Rated Voltage | 240V AC, 110V AC, 24V AC/DC, 12V DC |
| Limit of Operating Voltage | -20% to + 10% of rated voltage |
| LED | 5 mm through hole LED |
| Colors | White light / black handle |
| Life | 0.1 million hours |
| LED Arrangement | Cluster |
| Color Temperature | 6000°K - 7000°K |
| Number of LEDs | 24 |
| Operating Temperature | -25°C to 65°C |
| Storage Temperature | -30°C to 70°C |
| Surge Test | 2 KV |
| HV Test for 60 seconds | 2.5 KV |
| EMI/EMC Protection | 2 KV |
| IP Protection | IP 54 |
| Power Consumption (240V) | < 3W |
| Cable Type | 3x 0.75 sq. mm |
| Cable Length | 3 meter (10 ft.)* |
| Mounting | Molded plastic hook |



* Other lengths available. Contact Altech.

Ordering Information

| Part No. | Color | Voltage | Plug** | Std. Pk. |
|--------------|----------------|-------------|------------------|----------|
| IL24D31W240A | Cool White LED | 240 VAC | Not provided | 1 |
| IL24D31W110A | Cool White LED | 110 VAC | Standard US plug | 1 |
| IL24D31W024C | Cool White LED | 24 V AC/ DC | Not provided | 1 |
| IL24D31W012D | Cool White LED | 12 V DC | Not provided | 1 |
| IL24E31W240A | Warm White LED | 240 VAC | Not provided | 1 |
| IL24E31W110A | Warm White LED | 110 VAC | Standard US plug | 1 |
| IL24E31W024C | Warm White LED | 24 V AC/ DC | Not provided | 1 |
| IL24E31W012D | Warm White LED | 12 V DC | Not provided | 1 |

** Plugs available. Contact Altech.

Index

| Part No. | Page | Part No. | Page | Part No. | Page |
|---------------|------|-----------|------|--------------|------|
| IF5_024X05-1 | 13 | TL50LBZ1T | 7 | TL50LWZ1T | 7 |
| IF5_024Z05-1 | 13 | TL50LBZ1U | 7 | TL50LWZ1U | 7 |
| IF5M024XM05-1 | 13 | TL50LBZ1W | 7 | TL50LWZ1W | 7 |
| IF5M024ZM05-1 | 13 | TL50LBZ1X | 7 | TL50LWZ1X | 7 |
| IF5M110XM05-1 | 13 | TL50LBZ2T | 7 | TL50LWZ2T | 7 |
| IF5M110ZM05-1 | 13 | TL50LBZ2U | 7 | TL50LWZ2U | 7 |
| IF5M220XM05-1 | 13 | TL50LBZ2W | 7 | TL50LWZ2W | 7 |
| IF5M220ZM05-1 | 13 | TL50LBZ2X | 7 | TL50LWZ2X | 7 |
| IF5P024XM05-1 | 13 | TL50LG1T | 6 | TL50LY1T | 6 |
| IF5P024ZM05-1 | 13 | TL50LG1U | 6 | TL50LY1U | 6 |
| IFAB01 | 13 | TL50LG1W | 6 | TL50LY1W | 6 |
| IKAM04 | 13 | TL50LG1X | 6 | TL50LY1X | 6 |
| IKAM06 | 13 | TL50LG2T | 6 | TL50LY2T | 6 |
| IL24D31W012D | 14 | TL50LG2U | 6 | TL50LY2U | 6 |
| IL24D31W012D | 14 | TL50LG2W | 6 | TL50LY2W | 6 |
| IL24D31W024C | 14 | TL50LG2X | 6 | TL50LY2X | 6 |
| IL24D31W110A | 14 | TL50LG3T | 6 | TL50LY3T | 6 |
| IL24D31W240A | 14 | TL50LG3U | 6 | TL50LY3U | 6 |
| IL24E31W024C | 14 | TL50LG3W | 6 | TL50LY3W | 6 |
| IL24E31W110A | 14 | TL50LG3X | 6 | TL50LY3X | 6 |
| IL24E31W240A | 14 | TL50LGZ1T | 7 | TL50LYZ1T | 7 |
| TL12004 | 8 | TL50LGZ1U | 7 | TL50LYZ1U | 7 |
| TL122002 | 8 | TL50LGZ1W | 7 | TL50LYZ1W | 7 |
| TL122003 | 8 | TL50LGZ1X | 7 | TL50LYZ1X | 7 |
| TL122012A | 9 | TL50LGZ2T | 7 | TL50LYZ2T | 7 |
| TL5001 | 8 | TL50LGZ2U | 7 | TL50LYZ2U | 7 |
| TL5002 | 8 | TL50LGZ2W | 7 | TL50LYZ2W | 7 |
| TL5019 | 8 | TL50LGZ2X | 7 | TL50LYZ2X | 7 |
| TL50LA1T | 6 | TL50LR1T | 6 | TL50Z1T | 7 |
| TL50LA1U | 6 | TL50LR1U | 6 | TL50Z1U | 7 |
| TL50LA1W | 6 | TL50LR1W | 6 | TL50Z1W | 7 |
| TL50LA1X | 6 | TL50LR1X | 6 | TL50Z1X | 7 |
| TL50LA2T | 6 | TL50LR2T | 6 | TL50Z2T | 7 |
| TL50LA2U | 6 | TL50LR2U | 6 | TL50Z2U | 7 |
| TL50LA2W | 6 | TL50LR2W | 6 | TL50Z2W | 7 |
| TL50LA2X | 6 | TL50LR2X | 6 | TL50Z2X | 7 |
| TL50LA3T | 6 | TL50LR3T | 6 | TL60003 | 9 |
| TL50LA3U | 6 | TL50LR3U | 6 | TL60004 | 9 |
| TL50LA3W | 6 | TL50LR3W | 6 | TL60006 | 9 |
| TL50LA3X | 6 | TL50LR3X | 6 | TL60010 | 9 |
| TL50LAZ1T | 7 | TL50LRZ1T | 7 | TL70006 | 9 |
| TL50LAZ1U | 7 | TL50LRZ1U | 7 | TL70010 | 9 |
| TL50LAZ1W | 7 | TL50LRZ1W | 7 | TL70014 | 9 |
| TL50LAZ1X | 7 | TL50LRZ1X | 7 | TL70018 | 9 |
| TL50LAZ2T | 7 | TL50LRZ2T | 7 | TL70022 | 9 |
| TL50LAZ2U | 7 | TL50LRZ2U | 7 | TL80101 | 8 |
| TL50LAZ2W | 7 | TL50LRZ2W | 7 | TW1UG1B1R2Z1 | 10 |
| TL50LAZ2X | 7 | TL50LRZ2X | 7 | TW1UR2G1Z1 | 10 |
| TL50LB1T | 6 | TL50LW1T | 6 | TW1UR2G2 | 10 |
| TL50LB1U | 6 | TL50LW1U | 6 | TW1UR2Z1 | 10 |
| TL50LB1W | 6 | TL50LW1W | 6 | TW1WR1 | 10 |
| TL50LB1X | 6 | TL50LW1X | 6 | TW1WR1G1 | 10 |
| TL50LB2T | 6 | TL50LW2T | 6 | TW1WR1G1B1 | 10 |
| TL50LB2U | 6 | TL50LW2U | 6 | TW1WR1G1B1A1 | 10 |
| TL50LB2W | 6 | TL50LW2W | 6 | TW1WR1G1B1Z1 | 10 |
| TL50LB2X | 6 | TL50LW2X | 6 | TW1WR1G1Z1 | 10 |
| TL50LB3T | 6 | TL50LW3T | 6 | TW1WR1Z1 | 10 |
| TL50LB3U | 6 | TL50LW3U | 6 | TW1WR2 | 10 |
| TL50LB3W | 6 | TL50LW3W | 6 | TW1WZ1 | 10 |
| TL50LB3X | 6 | TL50LW3X | 6 | TW1XG1B1R2 | 10 |