

# Proximity Magnetic Sensors Explosive Environment Level Sensors ILM Atex Series - Encapsulated

CARLO GAVAZZI



- Spherical or cylindrical AISI316 stainless steel housing
- Encapsulated, NO or CO output function
- PVC cable or silicone cable
- According to EN 60079-0 and 60079-18
- Atex certified



## Product Description

These products have been developed and approved to be used in potentially explosive areas, applying protection methods, in accordance with EN 60079-0 normative (Electrical apparatus for

potentially explosive atmospheres. General requirements) and EN 60079-18 (Encapsulation "m"). ILM magnetic sensors are in category 2, suitable for zone 1 or 2 (gas), 21 or 22 (dusts).

## Ordering Key

**ILM A2 C SL EX**

Type \_\_\_\_\_  
 Contact type \_\_\_\_\_  
 Float type \_\_\_\_\_  
 Cable type \_\_\_\_\_  
 Atex certified \_\_\_\_\_

## Atex Marking

As for 94/9/EC (ATEX) Directive, products are marked:



**II 2G Ex mb IIC T5 Gb**  
**II 2D Ex mb IIIC T 100°C Db IP67**

Marking as for ATEX directive: **II 2 G** or **II 2 D**

- **II**: group, it identifies the surface industry.
- **2**: high protection category, allowing use in areas where an explosive atmosphere is likely to occur in normal operation (zone 1 and 21, covering also zone 2 and 22).
- **G**: presence of gases, vapours and mists (zone 1).
- **D**: presence of explosive dust (zone 21).
- **Ex**: product realized for use in explosive environments.
- **mb**: level of protection for encapsulation. The device is not capable of causing ignition in normal operation and in defined failure conditions.
- **IIC**: group of explosive gases (Hydrogen/Acetylene, valid also for groups IIA-Propane and IIB-Ethylene).
- **IIIC**: group of explosive dust (conductive dust, valid also for group IIIA-combustible flyings and IIIB-non conductive dust).
- **T5**: maximum surface temperature 100°C (gas or vapour ignition temperature > 100°C).
- **T 100°C IP67**: max surface temperature and protection degree, with reference to presence of explosive dusts.
- **Gb, Db**: equipment protection level respectively for gas and dust, according to EN60079-0. Equipment with high level of protection, which is not source of ignition in normal operation or during expected malfunctions.

## Type Selection

Float type	Output function	Cable type	Reference
Cylindrical, AISI 316 stainless steel	NO	2m, silicone	<b>ILM A2 C SL EX</b>
Spherical, AISI 316 stainless steel	NO	2m, silicone	<b>ILM A2 S SL EX</b>
Cylindrical, AISI 316 stainless steel	CO	2m, PVC	<b>ILM S2 C EX</b>
Spherical, AISI 316 stainless steel	CO	2m, PVC	<b>ILM S2 S EX</b>



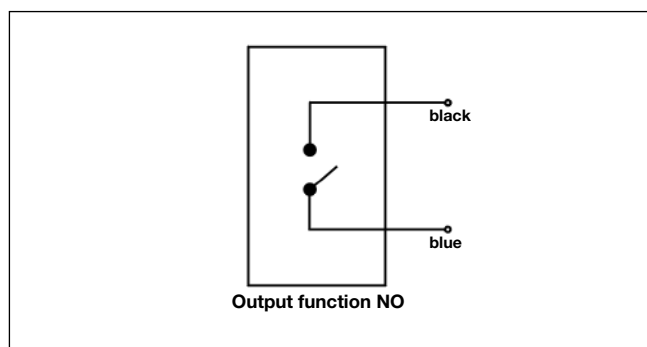
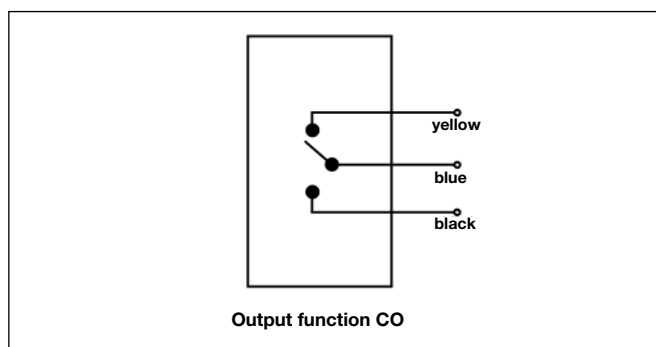
## Output Specifications

<b>Output</b>	<b>ILMA2</b> <b>ILMS2</b>	Normally open Change-over
<b>Contact ratings</b>		
NO output function		
Max Switching Voltage		250 VAC/DC
Max Switching Current		3 A
Max Switching Power		100 VA
CO output function		
Max Switching Voltage		230 VAC/DC
Max Switching Current		1 A
Max Switching Power		60 VA

## General Specifications

<b>Operating temperature</b>	-20 to +60 °C
<b>Degree of protection</b>	IP 68 (cable output IP67)
<b>Float</b>	
Diameter	Ø 53 mm
ILMxxS	45 x 55 mm
ILMxxC	AISI 316 stainless steel
Material	
Shape	
ILMxxS	Spherical
ILMxxC	Cylindrical
<b>Min. liquid specific gravity</b>	0.75 kg/dm <sup>3</sup>
<b>Maximum pressure</b>	20 Kg/cm <sup>2</sup>
<b>Approvals</b>	ATEX
<b>CE-marking</b>	Yes

## Wiring Diagrams



## Dimensions

