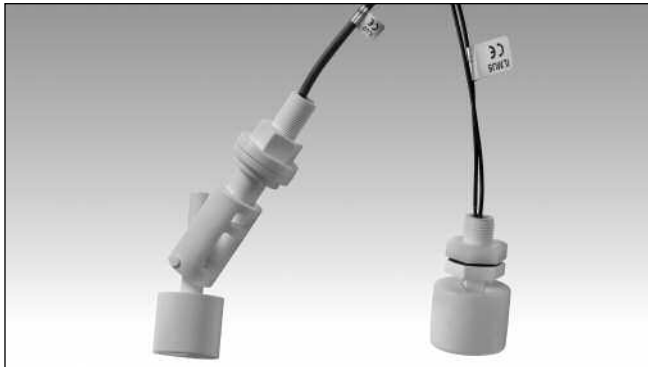


Proximity Magnetic sensors Level Magnetic Sensors ILMPU, ILU and ILMU Series

CARLO GAVAZZI



- Cylindrical, non toxic polypropylene housing
- NO, NC or CO output functions
- Reversible output function by sensor housing over turning
- XLPE, PVC or silicone cable output connection
- Horizontal mounting

Product Description

These models, for horizontal mounting, are made in non-toxic polypropylene. The ILMPU model, the

smallest one, can be used both as a NO and NC function depending on mounting direction

Ordering Key

ILU S2

Type _____
Reed contact type _____

Type Selection

Float diameter	Connection	Output function	Reference
Ø 17.5 mm	XLPE cable L= 0.3 m	NO, NC*	ILMPU 5
Ø 31 mm	PVC cable L= 0.3 m	NO, NC*	ILMU 5
Ø 45 mm	Silicone cable L= 0.5 m	NO	ILU 2
Ø 45 mm	Silicone cable L= 0.5 m	NO	ILU 8
Ø 45 mm	Silicone cable L= 0.5 m	CO	ILU S 2

*Reversible output function by sensor housing overturning

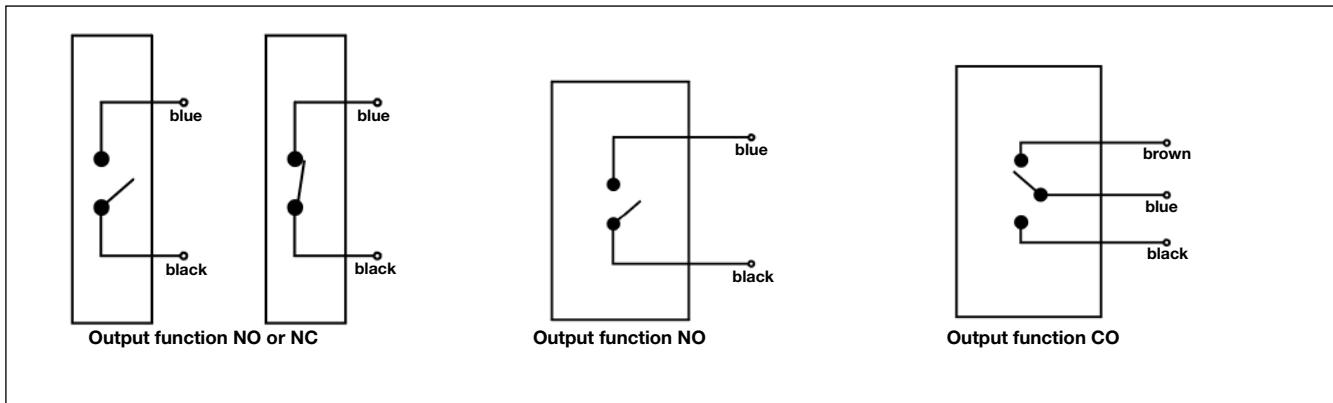
Output Specifications

Output ILMPU5, ILMU5 ILU2, ILU8 ILUS2	NO, NC NO Change-over
Contact ratings Max Switching Voltage ILU2 ILMPU5, ILMU5 ILU8 ILUS2 Max Switching Current ILU2 ILMPU5, ILMU5 ILU8 ILUS2 Max Switching Power ILU2 ILMPU5, ILMU5 ILU8 ILUS2	250 VAC 240 VAC, 200 VDC 1000 VAC 230 VAC 3 A 0.5 A 3 A 1 A 100 VA 50 VA 120 VA 60 VA

General Specifications

Operating temperature ILMPU5, ILMU5 ILU2, ILU8, ILUS2	-20 to +80 °C -25 to +100 °C
Degree of protection	IP 68 (cable output IP67)
Float Diameter ILMPU5 ILMU5 ILU2, ILU8, ILUS2 Material	Ø 17.5 mm Ø 31 mm Ø 45 mm non toxic polypropylene
Min liquid specific gravity ILMPU5, ILMU5 ILU2, ILU8, ILUS2	0.70 kg/dm ³ 0.75 kg/dm ³
Max pressure ILMPU5, ILMU5 ILU2, ILU8, ILUS2	2 kg/cm ² 100 kg/cm ²
CE-marking	Yes

Wiring Diagrams



Dimensions

