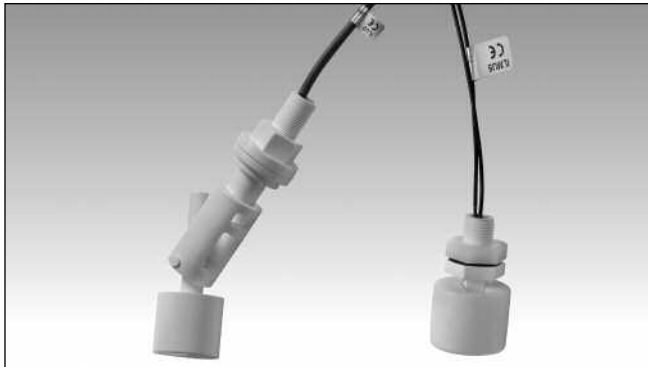


# Proximity Magnetic sensors Level Magnetic Sensors ILMPU, ILU and ILMU Series

CARLO GAVAZZI



- Cylindrical, non toxic polypropylene housing
- NO, NC or CO output functions
- Reversible output function by sensor housing over turning
- XLPE, PVC or silicone cable output connection
- Horizontal mounting

## Product Description

These models, for horizontal mounting, are made in non-toxic polypropylene. The ILMPU model, the

smallest one, can be used both as a NO and NC function depending on mounting direction

## Ordering Key

ILU S2

Type \_\_\_\_\_  
Reed contact type \_\_\_\_\_

## Type Selection

Float diameter	Connection	Output function	Reference
Ø 17.5 mm	XLPE cable L= 0.3 m	NO, NC*	ILMPU 5
Ø 31 mm	PVC cable L= 0.3 m	NO, NC*	ILMU 5
Ø 45 mm	Silicone cable L= 0.5 m	NO	ILU 2
Ø 45 mm	Silicone cable L= 0.5 m	NO	ILU 8
Ø 45 mm	Silicone cable L= 0.5 m	CO	ILU S 2

\*Reversible output function by sensor housing overturning

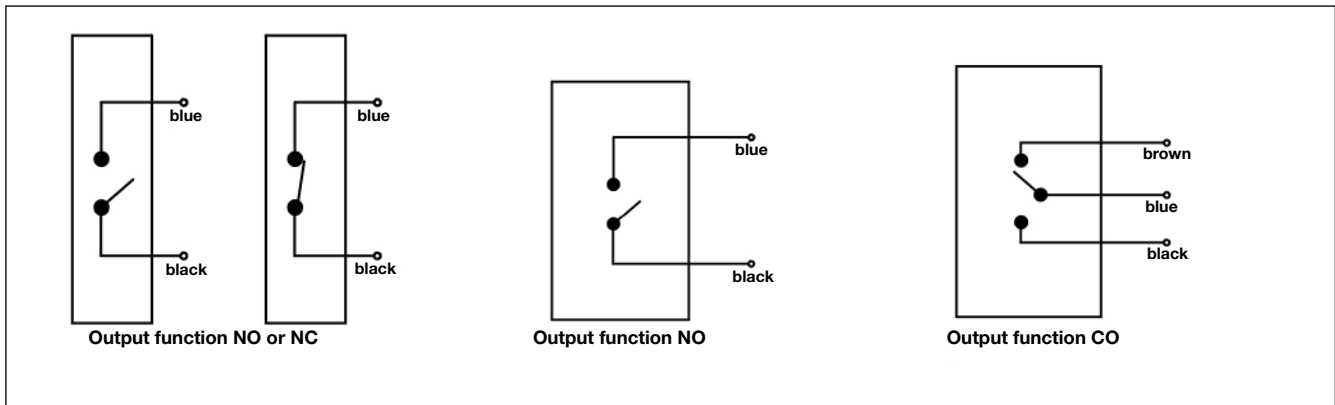
## Output Specifications

<b>Output</b> ILMPU5, ILMU5 ILU2, ILU8 ILUS2	NO, NC NO Change-over
<b>Contact ratings</b> Max Switching Voltage ILU2 ILMPU5, ILMU5 ILU8 ILUS2 Max Switching Current ILU2 ILMPU5, ILMU5 ILU8 ILUS2 Max Switching Power ILU2 ILMPU5, ILMU5 ILU8 ILUS2	250 VAC 240 VAC, 200 VDC 1000 VAC 230 VAC 3 A 0.5 A 3 A 1 A 100 VA 50 VA 120 VA 60 VA

## General Specifications

<b>Operating temperature</b> ILMPU5, ILMU5 ILU2, ILU8, ILUS2	-20 to +80 °C -25 to +100 °C
<b>Degree of protection</b>	IP 68 (cable output IP67)
<b>Float</b> Diameter ILMPU5 ILMU5 ILU2, ILU8, ILUS2 Material	Ø 17.5 mm Ø 31 mm Ø 45 mm non toxic polypropylene
<b>Min liquid specific gravity</b> ILMPU5, ILMU5 ILU2, ILU8, ILUS2	0.70 kg/dm <sup>3</sup> 0.75 kg/dm <sup>3</sup>
<b>Max pressure</b> ILMPU5, ILMU5 ILU2, ILU8, ILUS2	2 kg/cm <sup>2</sup> 100 kg/cm <sup>2</sup>
<b>CE-marking</b>	Yes

## Wiring Diagrams



## Dimensions

