

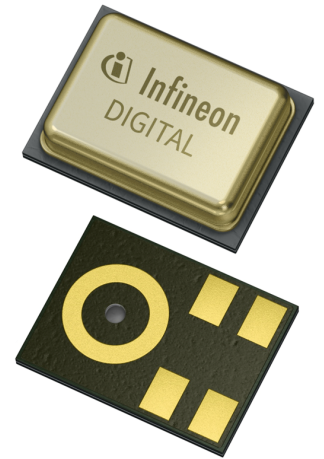
## XENSIV™ digital PDM MEMS microphone

### Features

- Signal to noise ratio of 70dB(A) SNR
- Acoustic overload point at 122dB SPL
- Flat frequency response with a low frequency roll-off at 30Hz
- Dynamic range of 98dB
- Component level IP57 water and dust resistant
- Bottom port
- Package dimensions: 3.5mm x 2.65mm x 0.98mm

### Potential applications

- High quality audio capturing
  - Laptops and tablets
  - Conference systems
  - Cameras and camcorders
- Active Noise Cancellation (ANC) headphones and earphones
- Devices with Voice User Interface (VUI)
  - Smart speakers
  - Home automation
  - IOT devices
- Smartphones and mobile devices
- Industrial or home monitoring with audio pattern detection



RoHS



Green



Halogen-free

### Product validation

Technology qualified for industrial applications.

Ready for validation in industrial applications according to the relevant tests of IEC 60747 and 60749 or alternatively JEDEC47/20/22.

### Description

The IM70D122V01 is a high performance digital PDM MEMS microphone designed to meet a very high signal-to-noise ratio of 70dB(A).

Especially thanks to its high sensitivity and high SNR the IM70D122V01 is perfectly tailored for advanced audio capturing which can uplift the audio experience for laptops, tablets, cameras and conference systems.

This microphone is based on Infineon's Sealed Dual Membrane MEMS technology which delivers high ingress protection (IP57) at a microphone level.

Type	Package	Marking
IM70D122V01	PG-TLGA-5-2	I70D22

## Table of contents

	<b>Features</b> .....	1
	<b>Potential applications</b> .....	1
	<b>Product validation</b> .....	1
	<b>Description</b> .....	1
	<b>Table of contents</b> .....	2
<b>1</b>	<b>Block diagram</b> .....	3
<b>2</b>	<b>Typical performance characteristics</b> .....	4
<b>3</b>	<b>Acoustic characteristics</b> .....	6
3.1	Free field frequency response .....	7
<b>4</b>	<b>Electrical characteristics and parameters</b> .....	8
4.1	Absolute maximum ratings .....	8
4.2	Electrical parameters .....	8
4.3	Electrical characteristics .....	9
4.4	Audio DC offset .....	10
4.5	Stereo PDM configuration .....	11
<b>5</b>	<b>Package information</b> .....	12
<b>6</b>	<b>Footprint and stencil recommendation</b> .....	13
<b>7</b>	<b>Packing information</b> .....	14
<b>8</b>	<b>Reflow soldering and board assembly</b> .....	15
<b>9</b>	<b>Reliability specifications</b> .....	17
9.1	Environmental robustness .....	18
	<b>Revision history</b> .....	19
	<b>Disclaimer</b> .....	20

# 1 Block diagram

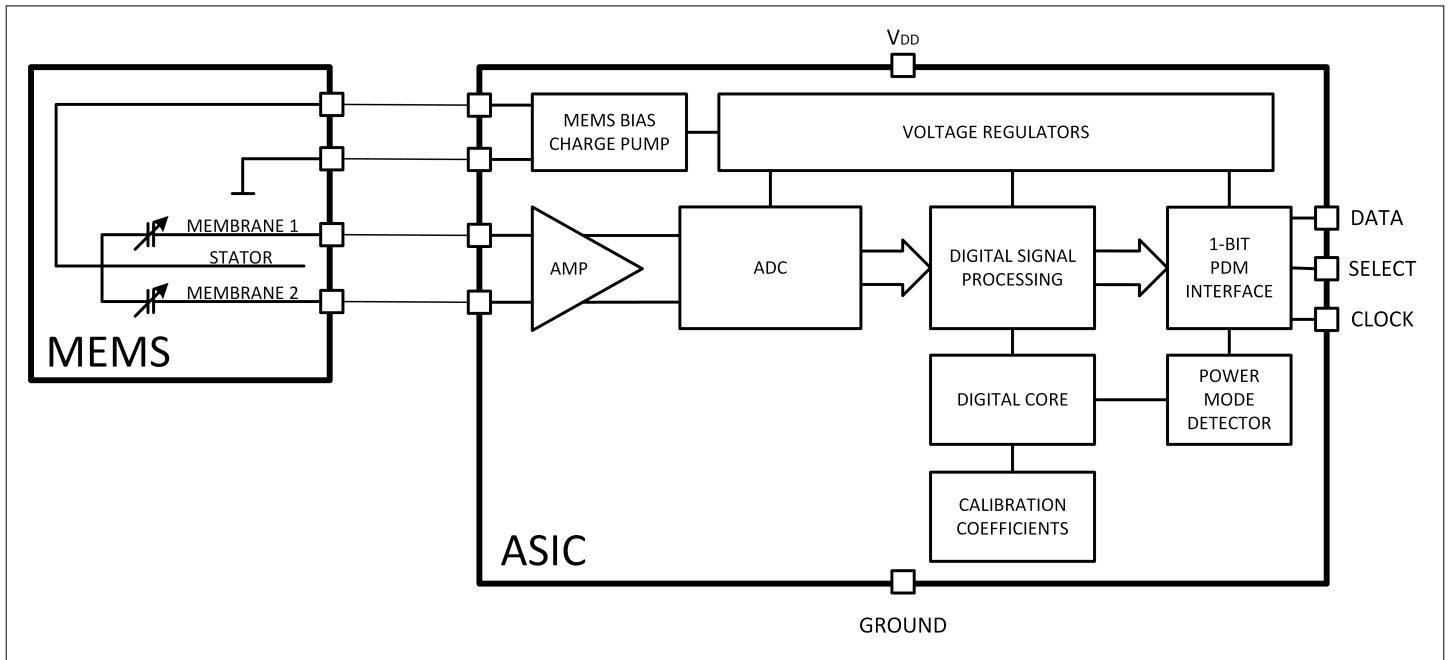
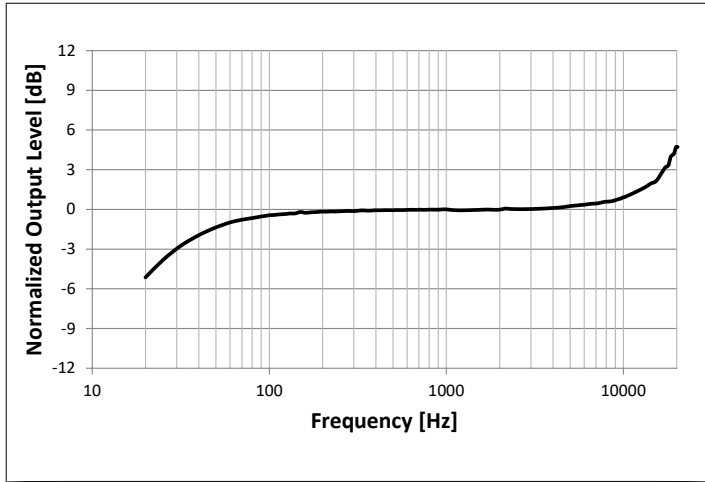


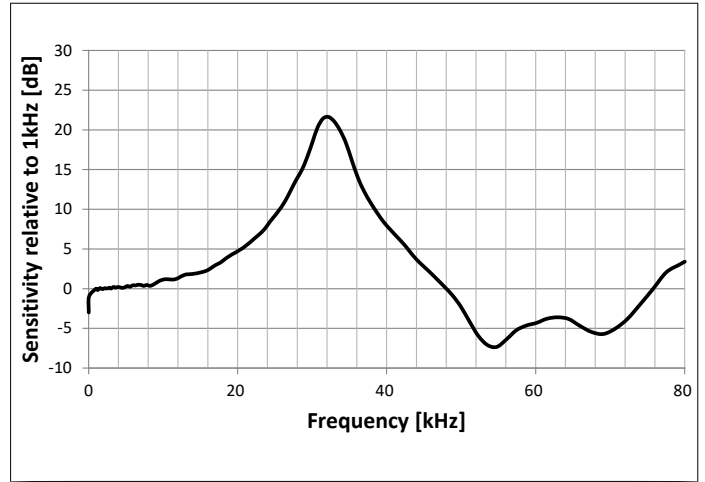
Figure 1 Block diagram

## 2 Typical performance characteristics

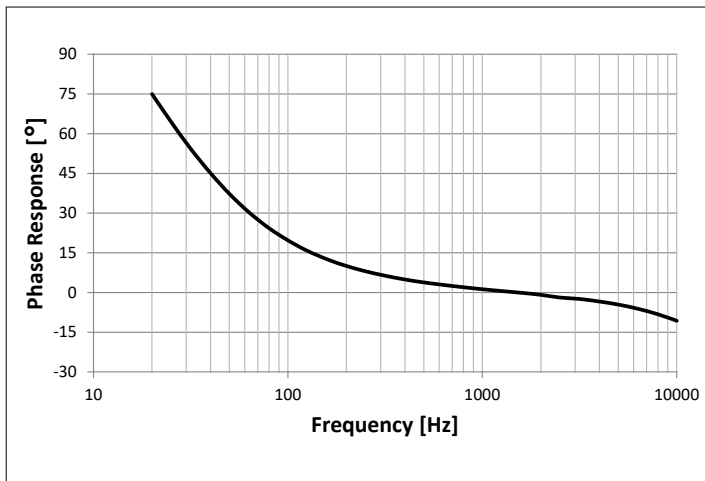
Test conditions:  $V_{DD} = 1.8V$ ,  $f_{CLK} = 3.072MHz$ ,  $T_A = 25^\circ C$ , unless otherwise specified.



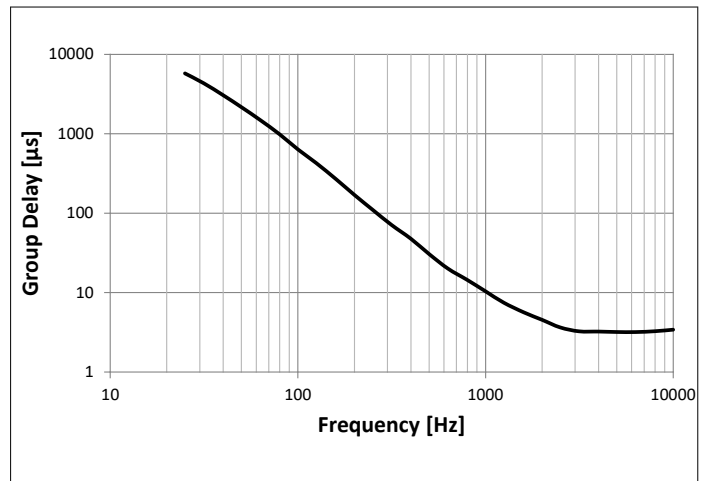
**Figure 2** Typical amplitude response



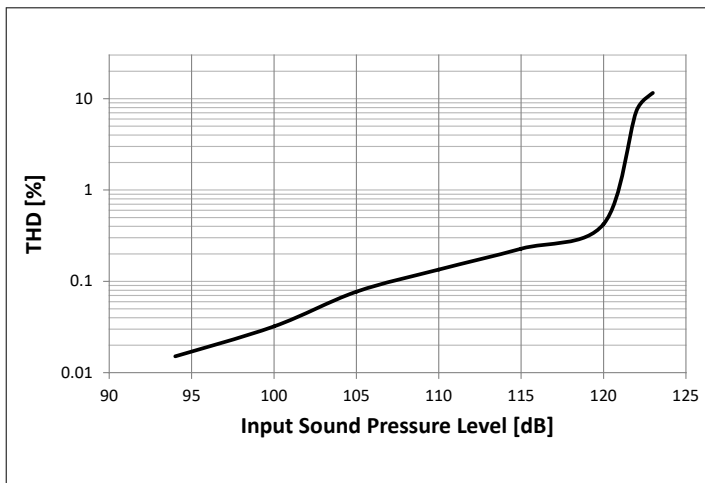
**Figure 3** Typical ultrasonic response



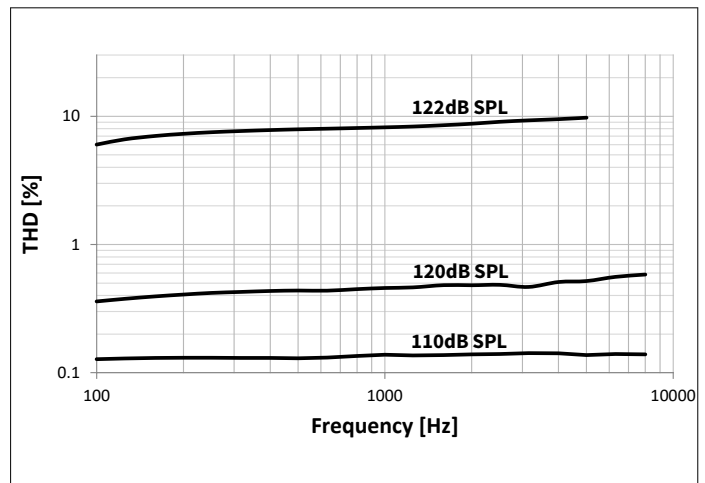
**Figure 4** Typical phase response



**Figure 5** Typical group delay



**Figure 6** Typical THD vs SPL



**Figure 7** Typical THD vs frequency

2 Typical performance characteristics

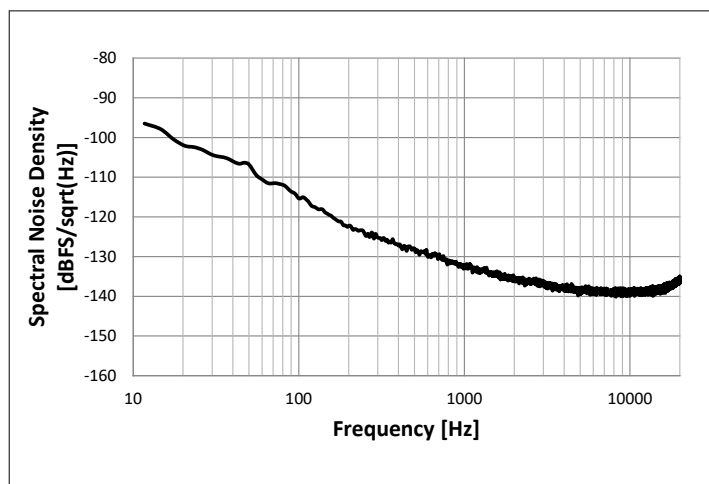


Figure 8 Typical noise floor (unweighted)

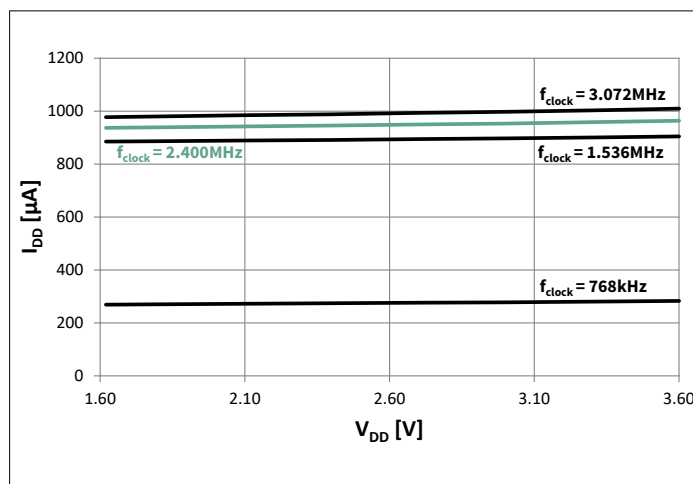


Figure 9 Typical  $I_{DD}$  vs  $V_{DD}$

### 3 Acoustic characteristics

Test conditions (unless otherwise specified in the table):  $V_{DD} = 1.8V$ ,  $f_{CLK} = 3.072MHz$ ,  $OSR=64$ ,  $T_A = 25^{\circ}C$ , 55% R.H., audio bandwidth 20Hz to 20kHz, select pin grounded, no load on DATA,  $T_{edge} = 9ns$

**Table 1** Acoustic specifications

Parameter	Symbol	Values			Unit	Note or Test Condition	
		Min.	Typ.	Max.			
Sensitivity	S	-27	-26	-25	dBFS	1kHz, 94 dB SPL, all operating modes	
Low Frequency Roll-off	LFRO		30		Hz	-3dB relative to 1kHz	
Resonant Frequency Peak			31		kHz		
Signal to Noise Ratio	$F_{clock} = 768kHz$	SNR		67		dB(A)	20Hz to 8kHz bandwidth, OSR: 48, A-Weighted
	$F_{clock} = 1.536MHz$			69			
	$F_{clock} = 2.4MHz$			69			
	$F_{clock} = 3.072MHz$			70			
Total Harmonic Distortion	94dB SPL	THD			0.2	%	Measuring 2nd to 5th harmonics; 1kHz. S=typ, all operating modes
	120dB SPL			1.0			
Acoustic Overload Point	10% THD	AOP		122		dB SPL	Measuring 2nd to 5th harmonics; 1kHz. S=typ, all operating modes
Group Delay	250Hz			120		$\mu s$	
	600Hz			25			
	1kHz			10			
	4kHz			3			
Phase Response	75Hz			25		°	
	1kHz			1			
	4kHz			-4			
Directivity			Omnidirectional				
Polarity		Positive pressure increases density of 1's, negative pressure decreases density of 1's in data output					

### 3.1 Free field frequency response

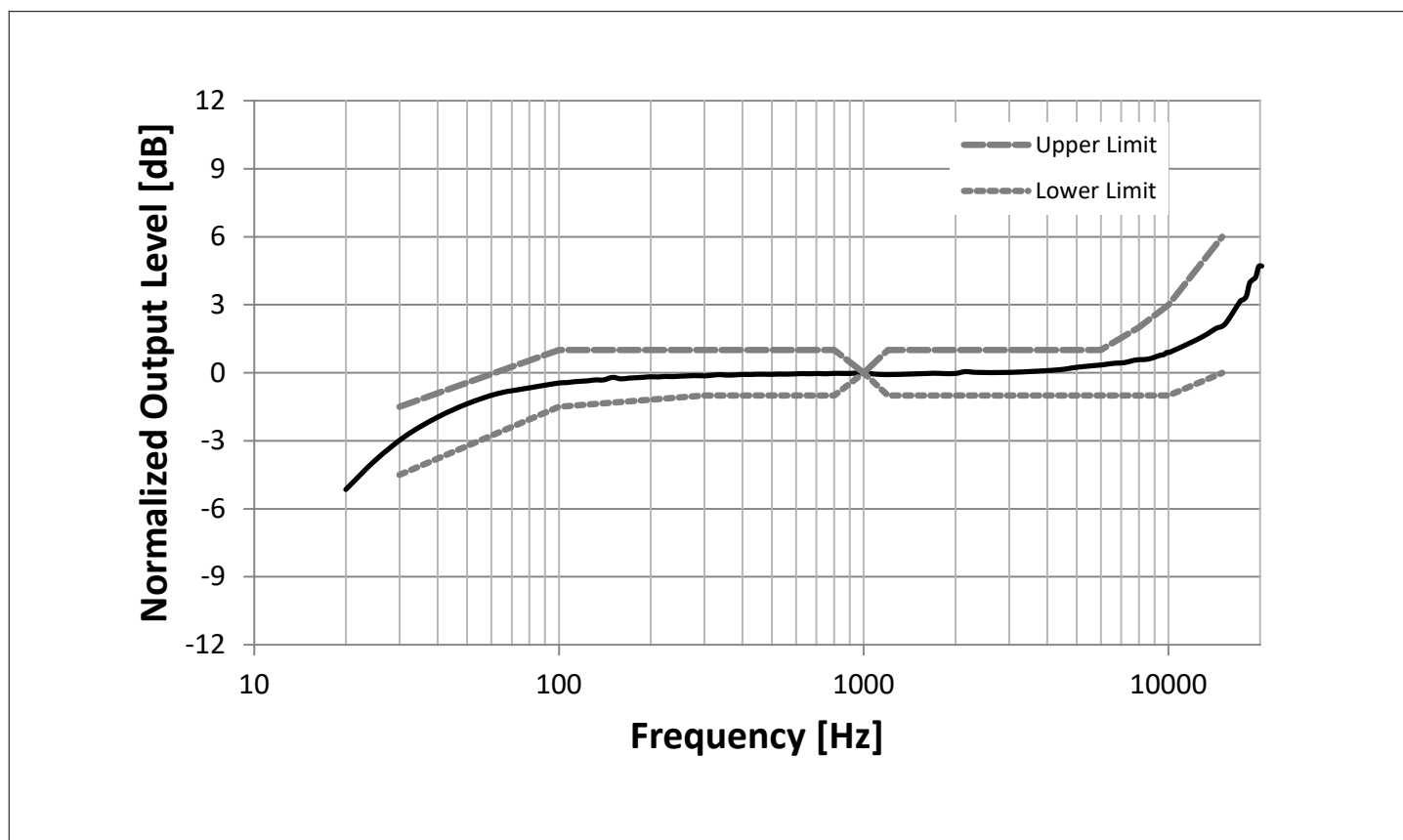


Figure 10 IM70D122V01 free field frequency response

Table 2 IM70D122V01 free field frequency response, normalized to 1kHz sensitivity value

Frequency [Hz]	Upper limit [dB]	Lower limit [dB]
30	-1.5	-4.5
100	1	-1.5
300	1	-1
1000	0	0
6000	1	-1
8000	2	-1
10000	3	-1
15000	6	0

## 4 Electrical characteristics and parameters

### 4.1 Absolute maximum ratings

Stresses exceeding the listed maximum ratings may affect device reliability or cause permanent device damage. Functional device operation at these conditions is not guaranteed.

**Table 3 Absolute maximum ratings**

Parameter	Symbol	Values		Unit	Note / Test Condition
		Min.	Max.		
Voltage on any Pin	$V_{max}$		3.6	V	
Storage Temperature	$T_S$	-40	125	°C	
Ambient Temperature	$T_A$	-40	85	°C	

### 4.2 Electrical parameters

**Table 4 Electrical parameters and digital interface input**

Parameter	Symbol	Values			Unit	Note / Test Condition	
		Min.	Typ.	Max.			
Supply Voltage	$V_{DD}$	1.62	1.8	3.6	V	<sup>1)</sup>	
Clock Frequency Range	Standby Mode $f_{clock}$			350	kHz	<sup>2)</sup>	
		Low Power Mode	450	768	850	kHz	
		Normal Mode	1.2	3.072	3.3	MHz	
$V_{DD}$ Ramp-up Time				50	ms	Time until $V_{DD} \geq V_{DD\_min}$	
Input Logic Low Level	$V_{IL}$			$0.3 \times V_{DD}$	V		
Input Logic High Level	$V_{IH}$	$0.7 \times V_{DD}$			V		
Clock Rise/Fall Time				13	ns	10% to 90%	
Clock Duty Cycle		40		60	%	$f_{clock} \leq 3\text{MHz}$	
		48		52	%	$f_{clock} > 3\text{MHz}$	
Output Load Capacitance on DATA	$C_{load}$			100	pF		

<sup>1)</sup> A 1 $\mu$ F bypass capacitor shall be placed close to the microphone  $V_{DD}$  pad to ensure best SNR performance.

<sup>2)</sup> Data pad is high impedance in standby mode.



### 4.3 Electrical characteristics

Test conditions (unless otherwise specified in the table):  $V_{DD} = 1.8V$ ,  $T_A = 25^\circ C$ , 55% R.H.

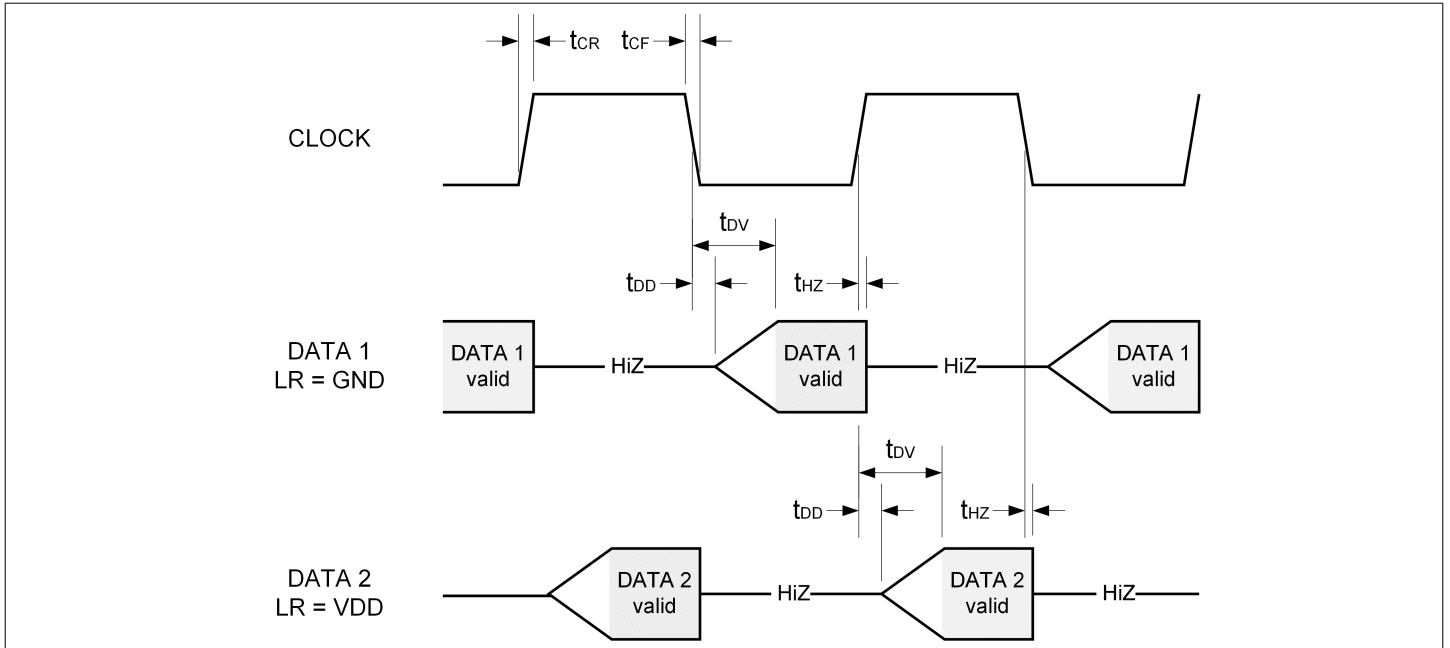
**Table 5** General electrical characteristics

Parameter		Symbol	Values			Unit	Note / Test Condition
			Min.	Typ.	Max.		
Current Consumption	Clock Off Mode	$I_{clock\_off}$		1		$\mu A$	CLOCK pulled low
	Standby Mode	$I_{standby}$		25	50		No load on DATA
	$F_{clock} = 768kHz$	$I_{DD}$		280	330		<5pF load on DATA
	$F_{clock} = 1.536MHz$			880			
	$F_{clock} = 2.4MHz$			930			
	$F_{clock} = 3.072MHz$			980	1200		
Short Circuit Current			1		20	mA	Grounded DATA pin
Power Supply Rejection		$PSR_{1k\_NM}$		-80		dBFS	100mV <sub>pp</sub> sine wave on $V_{DD}$ swept from 200Hz to 20kHz.
		$PSR_{217\_NM}$		-86		dBFS(A)	100mV <sub>rms</sub> , 217Hz square wave on $V_{DD}$ . A-weighted.
Startup Time	$\pm 0.5dB$ sensitivity accuracy				20	ms	Time to start up in any operating modes after $V_{DD\_min}$ and CLOCK have been applied. <sup>3)</sup>
	$\pm 0.2dB$ sensitivity accuracy				50		
Mode Switch Time	$\pm 0.5dB$ sensitivity accuracy				20	ms	Time to switch between operating modes. $V_{DD}$ remains on during the mode switch. <sup>3)</sup>
	$\pm 0.2dB$ sensitivity accuracy				50		
Output Logic Low Level		$V_{OL}$			$0.2 \times V_{DD}$	V	
Output Logic High Level		$V_{OH}$	$0.8 \times V_{DD}$				
Delay Time for DATA Driven		$t_{DD}$	40		80	ns	Delay time from CLOCK edge ( $0.5 \times V_{DD}$ ) to DATA driven.
Delay Time for DATA High-Z <sup>4)</sup>		$t_{HZ}$	5		30	ns	Delay time from CLOCK edge ( $0.5 \times V_{DD}$ ) to DATA high impedance state
Delay Time for DATA Valid <sup>5)</sup>		$t_{DV}$			100	ns	Delay time from CLOCK edge ( $0.5 \times V_{DD}$ ) to DATA valid ( $< 0.3 \times V_{DD}$ or $> 0.7 \times V_{DD}$ )
Power-on behaviour		Idle tone is output over PDM within 3ms of applying $V_{DD}$ and $f_{clock}$ , remains until a valid microphone signal is available. Idle tone consists of alternating 1s and 0s, representing a zero input signal.					

<sup>3)</sup> Verified at typical PDM clock frequencies for each power mode.

<sup>4)</sup>  $t_{hold}$  is dependent on  $C_{load}$

<sup>5)</sup> Load on data:  $C_{load} = 100pF$ ,  $R_{load} = 100k\Omega$



**Figure 11** Timing diagram

#### 4.4 Audio DC offset

The DC output level encoded in the DC bit stream is determined by the L/R state on startup. In each case the DC output level is stable over time and does not vary with input signal level.

**Table 6** DC output level using L/R pin

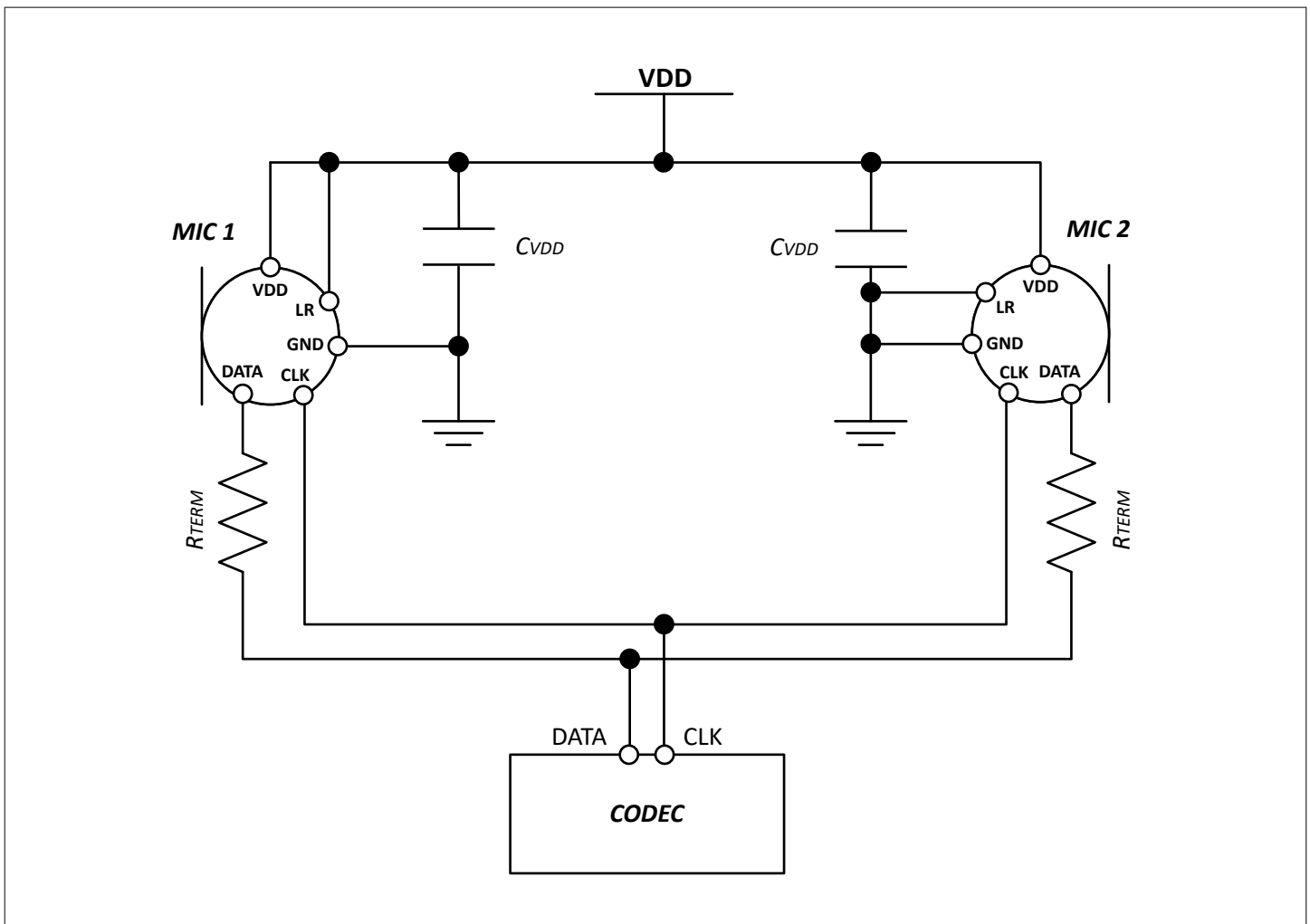
LR state	DC output level (typical)	Unit
LR = GND	-80	dBFS
LR = VDD	-40	dBFS

### 4.5 Stereo PDM configuration

The IM70D122V01 is designed to function in circuits with one or two microphones on the PDM bus. When two microphones are connected, data is transmitted alternately according to the L/R pin status of each microphone. When two microphones are connected to a shared PDM bus, the power modes of both microphones will be the same as both are controlled by the same PDM clock. The performance is unchanged relative to a single microphone per bus configuration.

**Table 7 PDM channel configuration using L/R pin.**

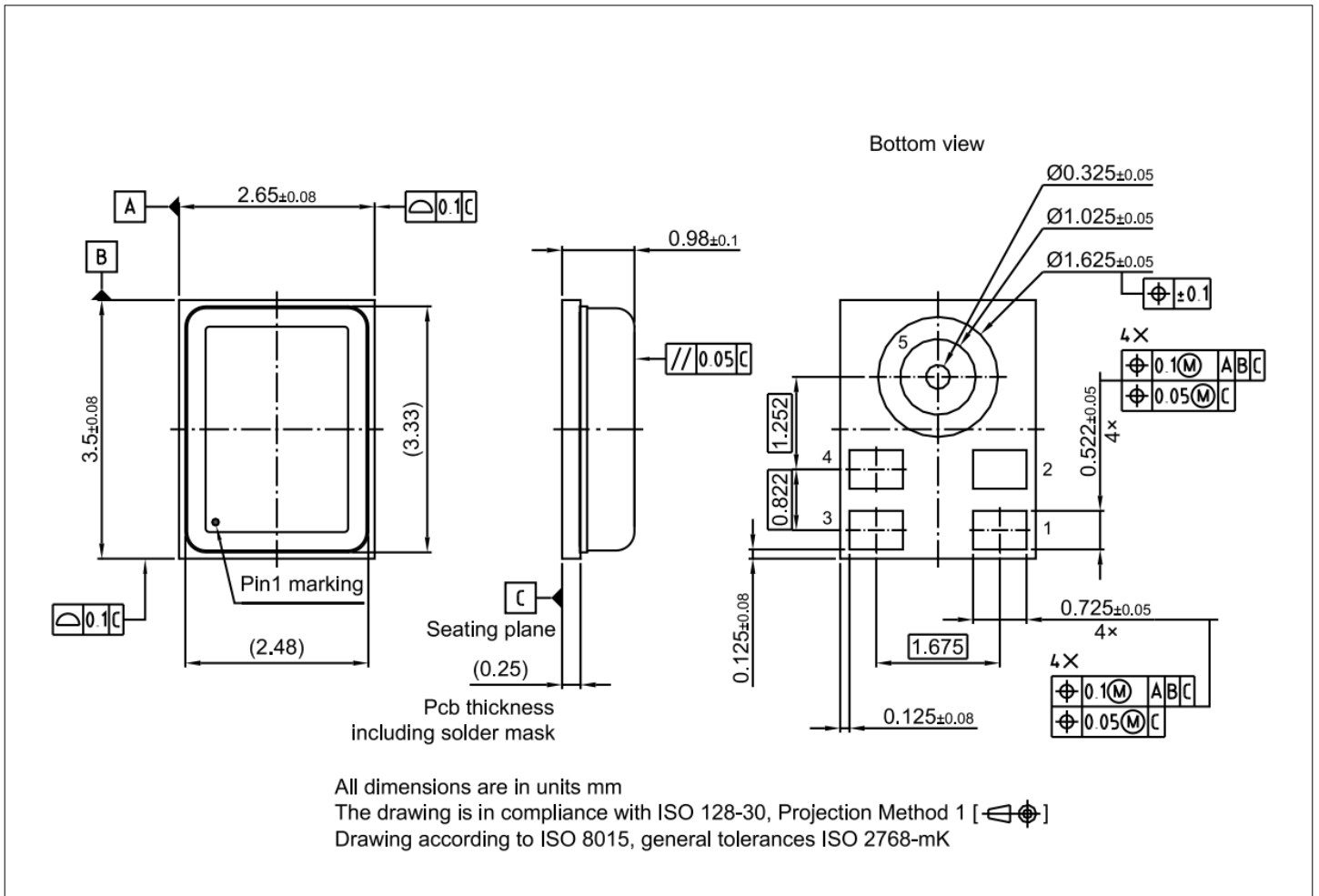
Channel	Data driven	Data high-Z	L/R connection
DATA1	Falling clock edge	Rising clock edge	GND
DATA2	Rising clock edge	Falling clock edge	V <sub>DD</sub>



**Figure 12 Typical stereo mode configuration**

*Note:* For best performance it is strongly recommended to place a 100nF ( $C_{VDD\_typical}$ ) capacitor between V<sub>DD</sub> and ground. The capacitor should be placed as close to V<sub>DD</sub> as possible. A termination resistor ( $R_{TERM}$ ) of about 100Ω may be added to reduce the ringing and overshoot on the output signal.

## 5 Package information



**Figure 13** IM70D122V01 package drawing

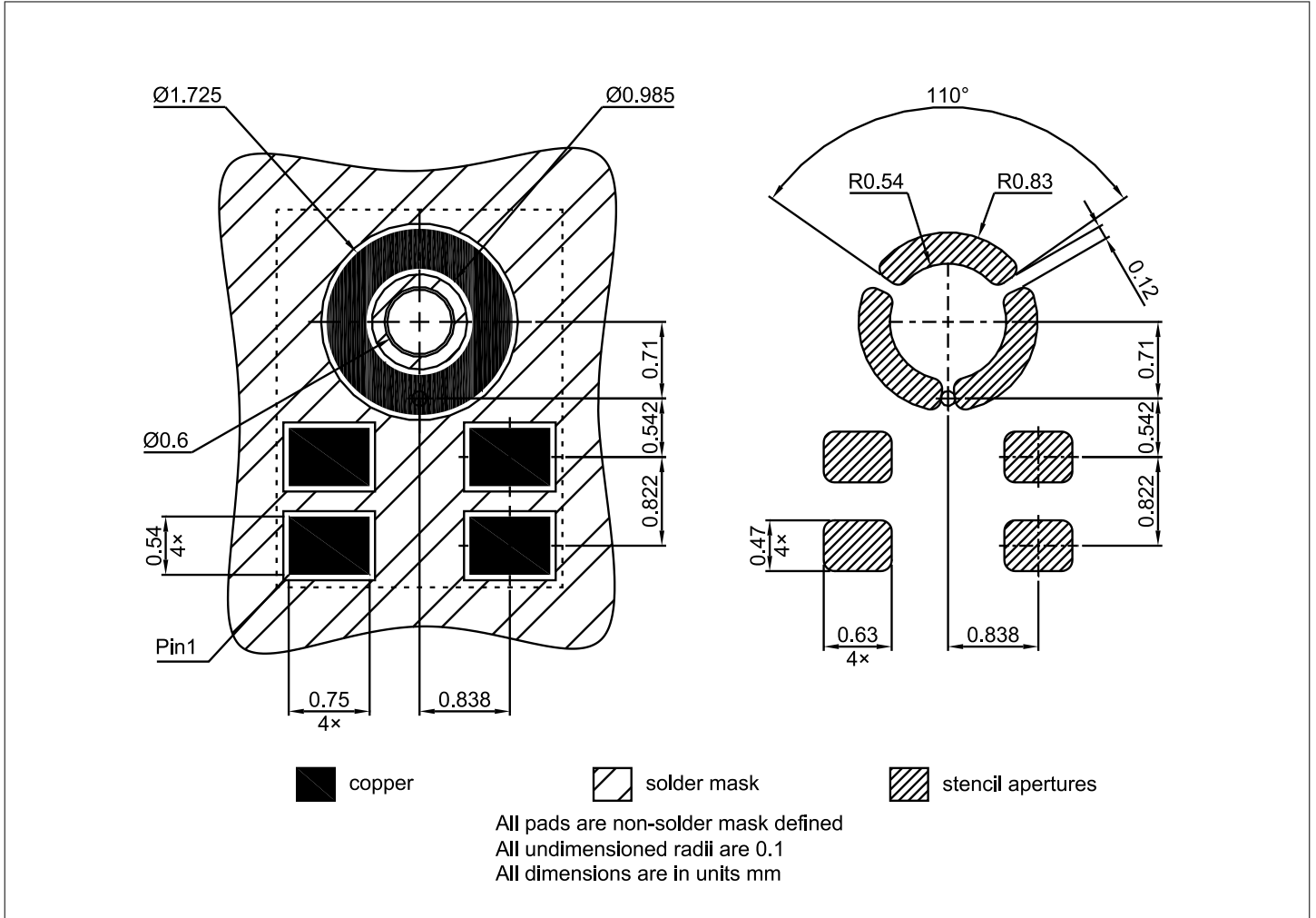
**Table 8** IM70D122V01 pin configuration

Pin Number	Name	Description
1	V <sub>DD</sub>	Power supply
2	CLOCK	PDM clock input
3	DATA	PDM data output
4	LR select	PDM left/right select
5	GND	Ground

**6 Footprint and stencil recommendation**

The acoustic port hole diameter in the PCB should be larger than the acoustic port hole diameter of the MEMS microphone to ensure optimal performance. A PCB sound port size of diameter 0.6 mm is recommended.

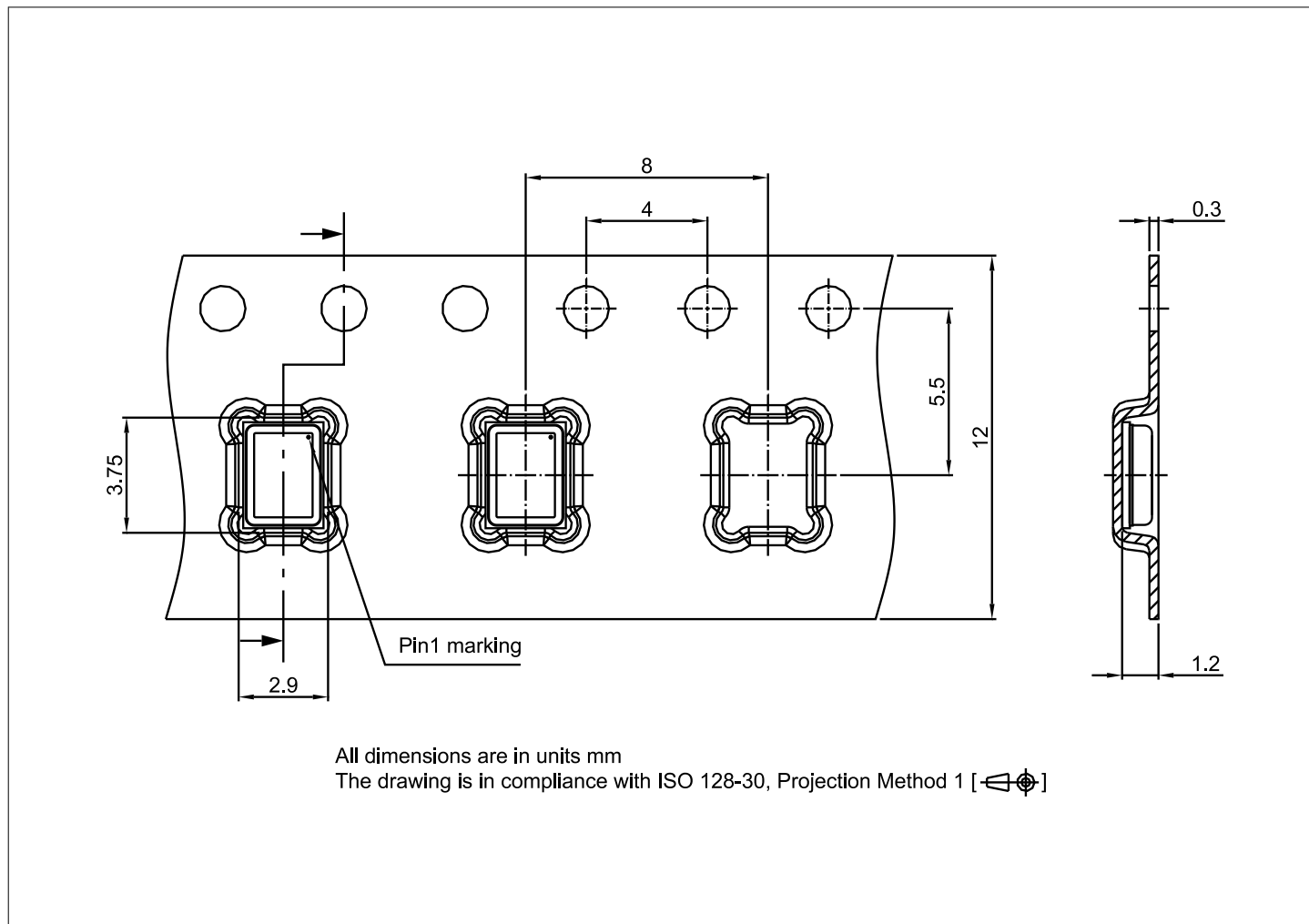
The board pad and stencil aperture recommendations shown in Figure 14 are based on Solder Mask Defined (SMD) pads. The specific design rules of the board manufacturer should be considered for individual design optimizations or adaptations.



**Figure 14 Footprint and stencil recommendation**

**7 Packing information**

For shipping and assembly the Infineon microphones are packed in product specific tape-and-reel carriers. A detailed drawing of the carrier can be seen in [Figure 15](#)



**Figure 15** IM70D122V01 tape and reel packing information

**Table 9** IM70D122V01 packaging information

Product	Type code	Reel diameter	Quantity per reel
IM70D122V01	I70D22	13"	5000

## 8 Reflow soldering and board assembly

Infineon MEMS microphones are qualified in accordance with the IPC/JEDEC J-STD-020D-01. The moisture sensitivity level of MEMS microphones is rated as MSL1. For PCB assembly of the MEMS microphone the widely used reflow soldering using a forced convection oven is recommended.

The soldering profile should be in accordance with the recommendations of the solder paste manufacturer to reach an optimal solder joint quality. The reflow profile shown in Figure 16 is recommended for board manufacturing with Infineon MEMS microphones.

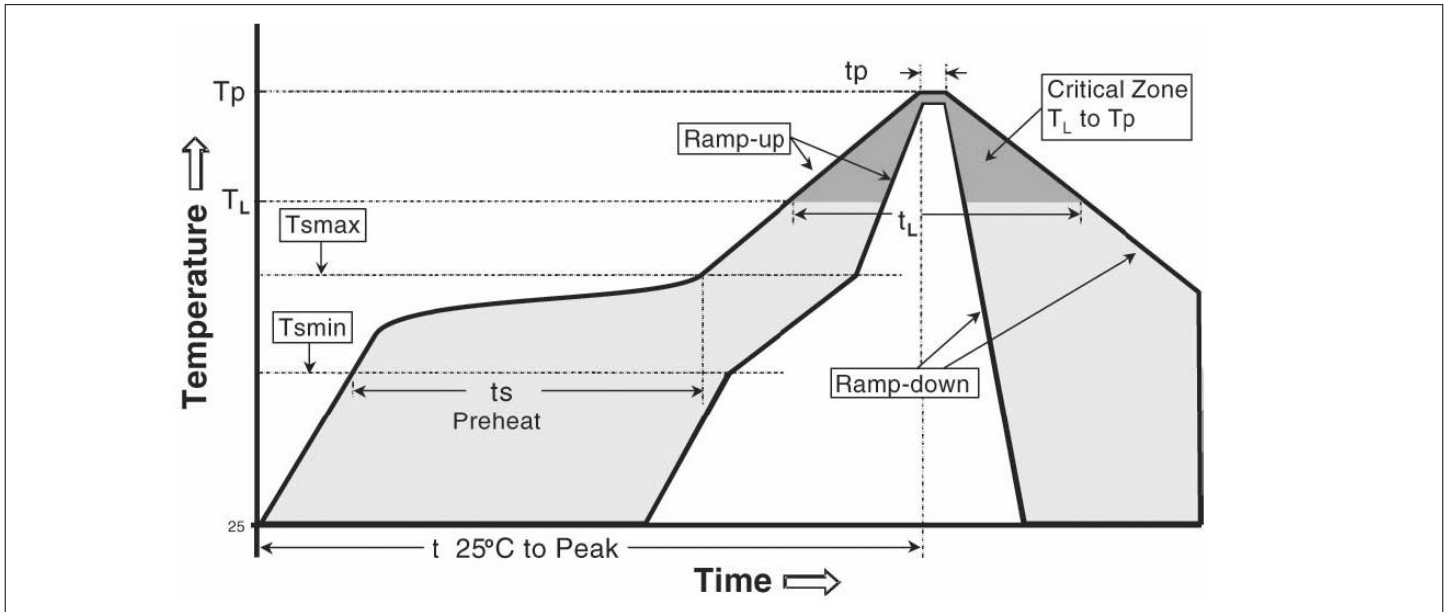


Figure 16 Recommended reflow profile

Table 10 Reflow profile limits

Profile feature	Pb-Free assembly	Sn-Pb Eutectic assembly
Temperature Min ( $T_{smin}$ )	150 °C	100 °C
Temperature Max ( $T_{smax}$ )	200 °C	150 °C
Time ( $T_{smin}$ to $T_{smax}$ ) ( $t_s$ )	60-120 seconds	60-120 seconds
Ramp-up rate ( $T_L$ to $T_p$ )	3 °C/second max.	3 °C/second max.
Liquidous temperature ( $T_L$ )	217 °C	183 °C
Time ( $t_L$ ) maintained above $T_L$	60-150 seconds	60-150 seconds
Peak Temperature ( $T_p$ )	260°C +0°C/-5°C	235°C +0°C/-5°C
Time within 5°C of actual peak temperature ( $t_p$ ) <sup>6)</sup>	20-40 seconds	10-30 seconds
Ramp-down rate	6 °C/second max.	6 °C/second max.
Time 25°C to peak temperature	8 minutes max.	6 minutes max.

Note: For further information please consult the 'General recommendation for assembly of Infineon packages' document which is available on the Infineon Technologies [web page](#)

<sup>6)</sup> Tolerance for peak profile temperature ( $T_p$ ) is defined as a supplier minimum and a user maximum

The MEMS microphones can be handled using industry standard pick and place equipment. Care should be taken to avoid damage to the microphone structure as follows:

- Do not pick the microphone with vacuum tools which make contact with the microphone acoustic port hole.
- The microphone acoustic port hole should not be exposed to vacuum, this can destroy or damage the MEMS.
- Do not blow air into the microphone acoustic port hole. If an air blow cleaning process is used, the port hole must be sealed to prevent particle contamination.
- It is recommended to perform the PCB assembly in a clean room environment in order to avoid microphone contamination.
- Air blow and ultrasonic cleaning procedures shall not be applied to MEMS Microphones. A no-clean paste is recommended for the assembly to avoid subsequent cleaning steps. The microphone MEMS can be severely damaged by cleaning substances.
- To prevent the blocking or partial blocking of the sound port during PCB assembly, it is recommended to cover the sound port with protective tape during PCB sawing or system assembly.
- Do not use excessive force to place the microphone on the PCB. The use of industry standard pick and place tools is recommended in order to limit the mechanical force exerted on the package.



## 9 Reliability specifications

The microphone sensitivity after stress must deviate by no more than 3dB from the initial value.

**Table 11 Reliability specification**

Test	Abbreviation	Test Condition	Standard
Low Temperature Operating Life	LTOL	$T_a = -40^\circ\text{C}$ , VDD=3.6V, 1000 hours	JESD22-A108
Low Temperature Storage Life	LTSL	$T_a = -40^\circ\text{C}$ , 1000 hours	JESD22-A119
High Temperature Operation Life	HTOL	$T_a = +125^\circ\text{C}$ , VDD=3.6V, 1000 hours	JESD22-A108
High Temperature Storage Life	HTSL	$T_a = +125^\circ\text{C}$ , 1000 hours	JESD22-A103
Temperature Cycling	PC + TC	Pre conditioning MSL-1	JESD22-A113
		1000 cycles, $-40^\circ\text{C}$ to $+125^\circ\text{C}$ , 30 minutes per cycle	JESD22-A104
Temperature Humidity Bias	PC + THB	Pre conditioning MSL-1	JESD22-A113
		$T_a = +85^\circ\text{C}$ , R.H = 85%, VDD=3.6V, 1000 hours	JESD22-A101
Vibration Test	VVF	20Hz to 2000Hz with a peak acceleration of 20g in X, Y, and Z for 4 minutes each, total 4 -cycles	IEC 60068-2-6
Mechanical Shock	MS	10000g/0.1msec direction $\pm x, y, z$ , 5 shocks in each direction, 5 shocks in total	IEC 60068-2-27
Reflow Solder <sup>7)</sup>	RS	3 reflow cycles, peak temperature = $+260^\circ\text{C}$	IPC-JEDEC J-STD-020D-01
Electrostatic Discharge -System Level Test	ESD - SLT	3 discharges of $\pm 8\text{kV}$ direct contact to lid while $V_{dd}$ is supplied according to the operational modes; ( $V_{dd}$ ground is separated from earth ground)	IEC-61000-4-2
Electrostatic Discharge - Human Body Model	ESD - HBM	1 pulse of $\pm 2\text{kV}$ between all I/O pin combinations	JEDEC-JS001
Electrostatic Discharge - Charged Device Model	ESD - CDM	3 discharges of $\pm 500\text{V}$ direct contact to I/O pins.	JEDEC JS-002

<sup>7)</sup> The microphone sensitivity must deviate by no more than 1dB from the initial value after 3 reflow cycles.

## 9.1 Environmental robustness

Infineon's latest Sealed Dual Membrane MEMS technology delivers high ingress protection (IP57) at a microphone level. The sealed MEMS design prevents water or dust from entering between membrane and backplate, preventing mechanical blockage or electric leakage issues commonly observed in MEMS microphones. Microphones built with the Sealed Dual Membrane technology can be used to create IP68 devices, requiring only minimal mesh protection.

**Table 12 Environmental robustness**

Test Standard	Test Condition
IP5x dust resistance <sup>8)</sup>	Arizona dust A4 coarse, vertical orientation, sound hole upwards, 10 cycles (15 minutes sedimentation, 6 sec blowing)
IPx7 water immersion <sup>9)</sup>	Temporary immersion of 1 meters for 30 minutes. Microphone tested 2 hours after removal

<sup>8</sup> The number "5" stands for the dust ingress rating or the capacity to withstand the effects of fine, abrasive dust particles.

<sup>9</sup> The "7" specifies the higher water immersion rating.

## Revision history

<b>Document version</b>	<b>Date of release</b>	<b>Description of changes</b>
V1.00	2022-12-27	Initial datasheet Release
v1.01	2023-01-18	Corrected package information