

IMC-P111FX Series

IMC-P111P Series



IMC-P111FX Series



IMC-P111P Series

➤ **Industrial IEC 61850-3 Ethernet to fiber media converter with 1x10/100Base-T(X) to 1x100Base-FX fiber or 1x100Base-FX SFP socket**

Features

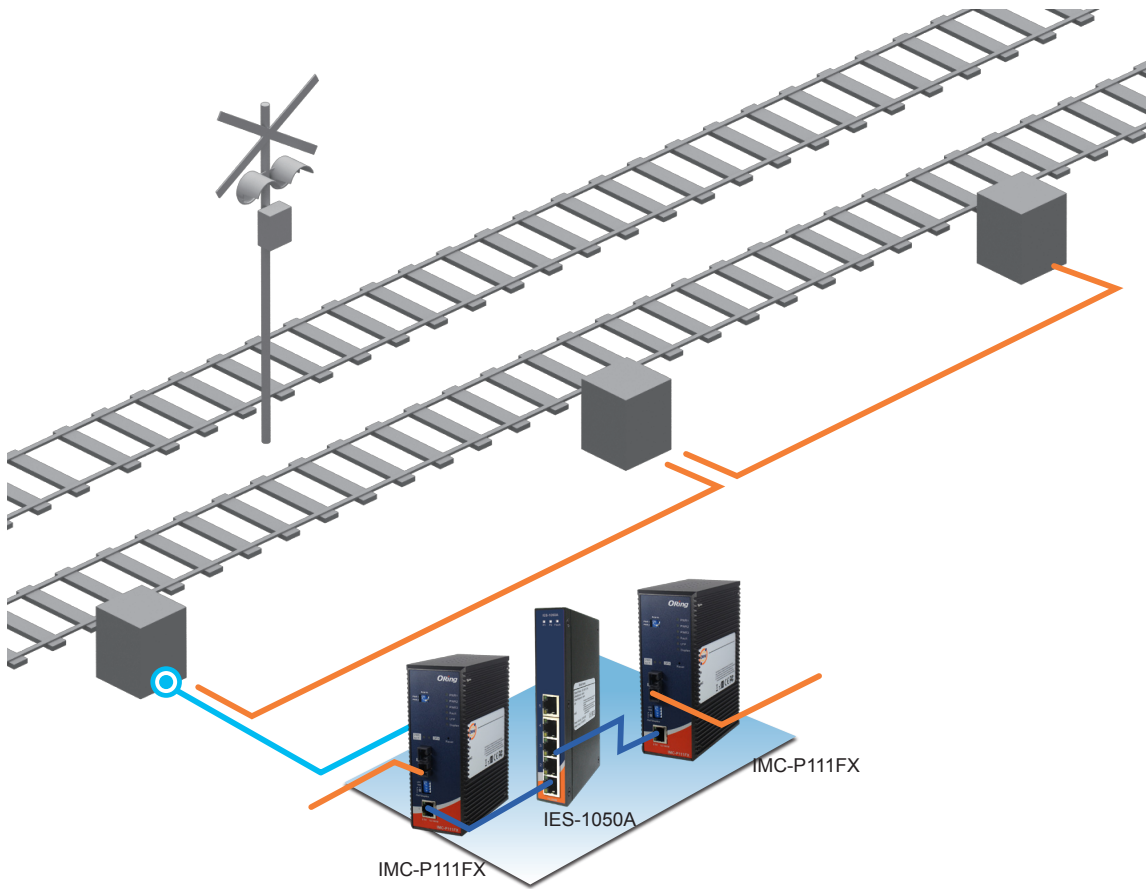
- Designed for Railway application and fully compliant with the requirement of IEC 61850-3 and IEEE 1613
- Supports 1 port 10/100Base-T(X) auto-negotiation and auto-MDI/MDI-X
- Support Ethernet to fiber or Ethernet to SFP port
- Support **LFP (Link Fault Pass-through)** function
- Supports full/half duplex operation
- Supports store and forward transmission
- Supports relay output for power failed alarm
- Provided DIP-Switch to setting function
- High reliability and rigid IP-30 housing
- DIN-Rail and wall mounting enabled



Introduction

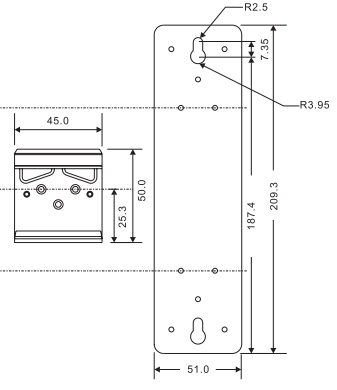
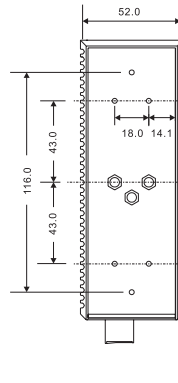
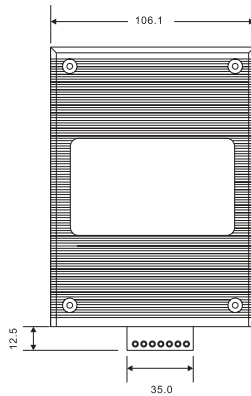
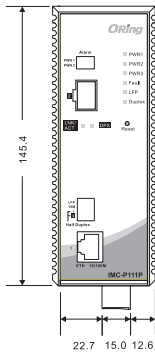
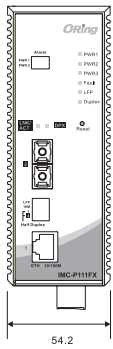
IMC-P111 series is a cost-effective solution for the conversion between 10/100Base-T(X) and 100Base-FX interface; it allows you to extend communication distance by optical fiber. IMC-P111 series are designed for power substation application and rolling stock application, fully compliant with the requirement of IEC 61850-3 and IEEE 1613. IMC-P111 series supports MDI/MDIX auto detection, so you don't need to use crossover wires. IMC-P111 series with wide operating temperature range from -40 ~ 85^oC and accepts a wide voltage range power inputs, so it is suitable for harsh operating environments.

IMC-P111 series also support the **LFP (Link Fault Pass-through)** feature. When one side of the link fails, the other side continues transmitting packets, and waiting for a response that never arrives from the disconnected side. Use the DIP-Switch to enable the LFP function, then IMC-P111 series will force the link to shutdown as soon as noticed that the other link has failed, giving the application software a chance to react to the situation. Therefore, the IMC-P111 series is reliable media converter and can satisfy most demand of power substation and rolling stock application.

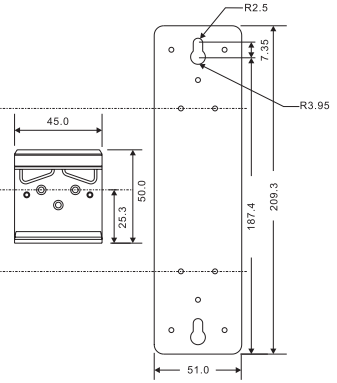
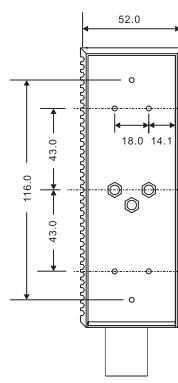
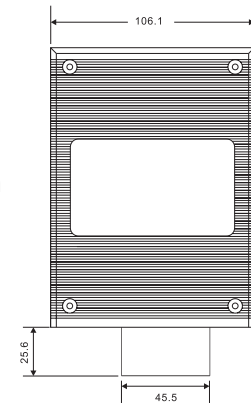
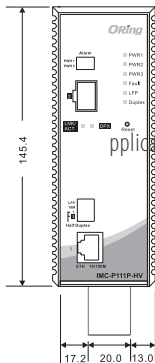
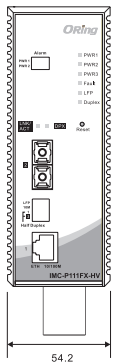


Dimensions

IMC-P111-LV Series



IMC-P111-HV Series



(Unit=mm)

Industrial Ethernet Switch

Industrial Media Converter

Industrial Device Server

Industrial Wireless Access Point

Industrial Cellular VPN Router

Industrial M2M Gateway

Accessories

Network Management Software

Specifications

ORing Media Converter Model		IMC-P111FX-MM	IMC-P111FX-SS	IMC-P111P
Physical Ports				
10/100Base-T(X) Ports in RJ45 Auto MDI/MDIX		1	1	1
Fiber Port Specification	Fiber Ports Number	1	1	-
	Fiber Ports Standard	100Base-FX	100Base-FX	-
	Fiber Mode	Multi-mode	Single-mode	-
	Fiber Diameter (μm)	62.5/125 μm 50/125 μm	9/125 μm	-
	Fiber Optical Connector	SC	SC	-
	Typical Distance (Km)	2 Km	30 Km	-
	Wavelength (nm)	1310 nm	1310 nm	-
	Max. Output Optical Power (dbm)	-14 dbm	-8 dbm	-
	Min. Output Optical Power (dbm)	-23.5 dbm	-15 dbm	-
	Max. Input Optical Power (Saturation)	0 dbm	0 dbm	-
	Min. Input Optical Power (Sensitivity)	-31 dbm	-34 dbm	-
	Link Budget (db)	7.5 db	19 db	-
100Base-FX SFP port		-	-	1
Technology				
Ethernet Standards	IEEE 802.3 for 10Base-T IEEE 802.3u for 100Base-T(X) and 100Base-FX IEEE 802.3x for Flow control			
Processing	Store-and-Forward			
DIP-Switch setting	DIP-Switch 1 for LFP mode selection : (ON) enable / (OFF) disable DIP-Switch 2 for Ethernet speed selection : (ON) 10Mbps / (OFF) 10/100Mbps Auto-negotiate DIP-Switch 3 for Ethernet full/half duplex selection : (ON) Half-duplex / (OFF) Full/Half-Duplex Auto-negotiate DIP-Switch 4 for fiber full/half duplex selection : (ON) Half-Duplex / (OFF) Full-Duplex			
Alarm DIP-Switch				
DIP-Switch 1	Power-1 failed warning : (ON) enable, (OFF) disable			
DIP-Switch 2	Power-2 failed warning : (ON) enable, (OFF) disable			
LED Indicators				
Power Indicator	Green : Power LED x 3 (ON : power input on-line / (OFF) power input off-line			
10/100Base-T(X) RJ45 port indicator	Green for port Link/Act – (ON) Link up / (Blinking) Acting / (OFF) Link down Amber for port duplex indicator – (ON) Full-Duplex / (OFF) Half-Duplex			
100Base-FX fiber port indicator	Green for fiber port Link/Act – (ON) Link up / (Flash) Acting / (OFF) Link down Amber for fiber port duplex indicator – (ON) Full-Duplex / (OFF) Half-Duplex			
LFP statue indicator	Amber LED – (ON) LFP function fail / (OFF) LFP function disable			
Fault indicator	Amber : Indicate unexpected event occurred			
Duplex indicator	Green for port duplex indicator – (ON) Full-Duplex / (OFF) Half-Duplex			
Power				
LV Model Input Power	Triple DC inputs. Dual 12~48VDC on 7-pin terminal block, one 12~45VDC on power jack			
HV Model Input Power	Dual 100~240VAC power inputs on 8-pin terminal block			
Power consumption (Typ.)	LV model : 12 Watts, HV model : 100VAC/4.8Watts, 240VAC/5.8Watts)	LV model : 12 Watts HV model : 100VAC/4.8Watts, 240VAC/5.8Watts)	LV model : 12 Watts HV model : 100VAC/4.8Watts, 240VAC/5.8Watts)	LV model : 12 Watts HV model : 100VAC/4.8Watts, 240VAC/5.8Watts)
Overload current protection	Present			
Reverse polarity protection	Present on terminal block			

Physical Characteristic			
Enclosure	IP-30		
Dimension (W x D x H)	52(W)x106.1(D)x144.3(H) mm (2.05x4.18x5.68 inch.)		
Weight (g)	LV model : 660 g HL model : 802 g	LV model : 660 g HL model : 802 g	LV model : 650g HV model : 792g
Environmental			
Storage Temperature	-40 to 85°C (-40 to 185°F)		
Operating Temperature	-40 to 85°C (-40 to 185°F)		
Operating Humidity	5% to 95% Non-condensing		
Regulatory approvals			
EMC	CE EMC (EN 55024, EN 55032), IEC 61850/IEEE1613, FCC Part 15 B		
EMI	EN 55032, CISPR32, EN 61000-3-2, EN 61000-3-3, FCC Part 15 B class A		
EMS	EN 55024 (IEC/EN 61000-4-2 (ESD), IEC/EN 61000-4-3 (RS), IEC/EN 61000-4-4 (EFT), IEC/EN 61000-4-5 (Surge), IEC/EN 61000-4-6 (CS), IEC/EN 61000-4-8(PFMF), IEC/EN 61000-4-11 (DIP))		
Shock	IEC60068-2-27		
Free Fall	IEC60068-2-31		
Vibration	IEC60068-2-6		
Safety	EN60950-1		
MTBF	-HV: 871329 hrs -LV: 602979 hrs	-HV: 779622 hrs -LV: 509133 hrs	-HV: 1401738 hrs -LV: 816887 hrs
Warranty	5 years		

Ordering Information

IMC-P1 **A** **B** **CC** - **DD** **EE**

Code Definition	10/100Base-T(X) Port Number	100Base-FX Fiber Port Number	Fiber Port Type	Fiber Optical Mode	Fiber Optical Connector
Option	- 1 : 1 port	- 1 : 1 ports	- FX : 100Base-FX fiber - P : 100Base-FX SFP	- MM : Multi-mode - SS : Single-mode	- SC : SC connector

Available Model	Model Name	Description
	IMC-P111FX-MM-SC-LV	Industrial IEC 61850-3 Ethernet to fiber media converter with 1x10/100Base-T(X) and 1x100Base-FX, multi-mode, 2Km/1310nm, SC connector, low-voltage power inputs
	IMC-P111FX-SS-SC-LV	Industrial IEC 61850-3 Ethernet to fiber media converter with 1x10/100Base-T(X) and 1x100Base-FX, single-mode, 30Km/1310nm, SC connector, low-voltage power inputs
	IMC-P111FX-MM-SC-HV_US	Industrial IEC 61850-3 Ethernet to fiber media converter with 1x10/100Base-T(X) and 1x100Base-FX, multi-mode, 2Km/1310nm, SC connector, high-voltage power inputs, US power cord
	IMC-P111FX-SS-SC-HV_US	Industrial IEC 61850-3 Ethernet to fiber media converter with 1x10/100Base-T(X) and 1x100Base-FX, multi-mode, 2Km/1310nm, SC connector, high-voltage power inputs, UK power cord
	IMC-P111FX-MM-SC-HV_UK	Industrial IEC 61850-3 Ethernet to fiber media converter with 1x10/100Base-T(X) and 1x100Base-FX, SFP socket, low-voltage power inputs
	IMC-P111FX-SS-SC-HV_UK	Industrial IEC 61850-3 Ethernet to fiber media converter with 1x10/100Base-T(X) and 1x100Base-FX, single-mode, 30Km/1310nm, SC connector, high-voltage power inputs, UK power cord
	IMC-P111FX-MM-SC-HV_EU	Industrial IEC 61850-3 Ethernet to fiber media converter with 1x10/100Base-T(X) and 1x100Base-FX, multi-mode, 2Km/1310nm, SC connector, high-voltage power inputs, EU power cord
	IMC-P111FX-SS-SC-HV_EU	Industrial IEC 61850-3 Ethernet to fiber media converter with 1x10/100Base-T(X) and 1x100Base-FX, single-mode, 30Km/1310nm, SC connector, high-voltage power inputs, EU power cord
	IMC-P111FX-MM-SC-HV_JP	Industrial IEC 61850-3 Ethernet to fiber media converter with 1x10/100Base-T(X) and 1x100Base-FX, multi-mode, 2Km/1310nm, SC connector, high-voltage power inputs, JP power cord
	IMC-P111FX-SS-SC-HV_JP	Industrial IEC 61850-3 Ethernet to fiber media converter with 1x10/100Base-T(X) and 1x100Base-FX, single-mode, 30Km/1310nm, SC connector, high-voltage power inputs, JP power cord
	IMC-P111P-LV	Industrial IEC 61850-3 Ethernet to fiber media converter with 1x10/100Base-T(X) and 1x100Base-FX, SFP socket, low-voltage power inputs

- Industrial Ethernet Switch
- Industrial Media Converter
- Industrial Device Server
- Industrial Wireless Access Point
- Industrial Cellular VPN Router
- Industrial M2M Gateway
- Accessories
- Network Management Software