

G1

Silver

Industrial SD Card 6.10 datasheet
32GB - 256GB



Table of Contents

1. PRODUCT SUMMARY	4
2. ORDER INFORMATION	5
3. PRODUCT INFORMATION	6
3.1 COMPLIANT SPECIFICATIONS – SD MEMORY CARD SPECIFICATIONS:	6
3.2 BUS SPEED MODE (USE 4 PARALLEL DATA LINES)	6
3.3 PRODUCT FEATURES	6
3.4 SD CARD COMPARISON	7
4. PRODUCT SPECIFICATION	9
4.1 PERFORMANCE	9
4.2 ENDURANCE AND RELIABILITY	10
5. ELECTRICAL SPECIFICATIONS	11
5.1 POWER CONSUMPTION	11
5.2 DC CHARACTERISTIC	11
5.3 BUS SIGNAL LINE LEVELS	12
5.4 POWER UP TIME OF HOST	13
5.5 POWER UP TIME OF CARD	14
5.6 SD INTERFACE TIMING (DEFAULT)	15
5.7 SD INTERFACE TIMING (HIGH-SPEED MODE)	16
5.8 SD INTERFACE TIMING (SDR12, SDR25, SDR50 AND SDR104 MODES)	17
6. ENVIRONMENTAL SPECIFICATIONS	18
7. INTERFACE	19
7.1 PIN ASSIGNMENT AND DESCRIPTIONS	19
8. PHYSICAL DIMENSION	20
9. REVISION HISTORY	21

List of Figures

FIGURE 1 – POWER UP TIME OF HOST	13
FIGURE 2 – POWER UP TIME OF CARD	14
FIGURE 3 – INPUT/OUTPUT TIMING (DEFAULT SPEED MODE).....	15
FIGURE 4 – INPUT/OUTPUT TIMING (HIGH-SPEED MODE).....	16
FIGURE 5 – CLOCK SIGNAL TIMING.....	17
FIGURE 6 – CARD INPUT TIMING	17
FIGURE 7 – PIN LOCATIONS	19
FIGURE 8 – DEVICE PHYSICAL DIMENSION.....	20

List of Tables

TABLE 1 – PART NUMBERS	5
TABLE 2 – SDSC, SDHC, AND SDXC COMPARISON TABLE.....	7
TABLE 3 – BURST PERFORMANCE	9
TABLE 4 – TERA BYTES WRITTEN.....	10
TABLE 5 – RELIABILITY	10
TABLE 6 – POWER CONSUMPTION.....	11
TABLE 7 – BUS OPERATING CONDITIONS – THRESHOLD LEVEL.....	11
TABLE 8 – PEAK VOLTAGE AND LEAKAGE CURRENT.....	11
TABLE 9 – BUS OPERATION CONDITIONS – SIGNAL LINE’S LOAD.....	12
TABLE 10 – BUS OPERATION CONDITIONS – SIGNAL LINE’S LOAD	15
TABLE 11 – INTERFACE TIMING (HIGH-SPEED MODE).....	16
TABLE 12 – INTERFACE TIMING (HIGH-SPEED MODE).....	17
TABLE 13 – ENVIRONMENTAL SPECIFICATIONS.....	18
TABLE 14 – SIGNAL SEGMENT PIN ASSIGNMENT AND DESCRIPTIONS	19

1. Product Summary

<u>Capacity Range</u>	32GB – 256GB
<u>Form Factor</u>	SD Card
<u>Host Interface</u>	SD6.1
<u>Speed Class</u>	CLASS10, UHS-I Grade 3, V30, A2
<u>Performance</u>	Sequential read: up to 100 MB/s Sequential write: up to 93 MB/s Random read: up to 9.8K IOPS Random write: up to 2.7K IOPS
<u>Reliability</u>	MTBF: 2 million hours UBER: <1 sector / 10¹⁶ bits read
<u>Operating Temperature</u>	
Or	Mobile: -25°C ~ 85°C Industrial: -40°C ~ 85°C
<u>Storage Temperature</u>	-40°C ~ 85°C
<u>Special Features</u>	CPRM (Content Protection for Recordable Media) * Password Protection of cards (optional)
<u>Compliances</u>	RoHS*, CE*, FCC*, WEEE* *Note: Please contact with Intelligent Memory represent for the detail of compliance conformity.

2. Order Information

Table 1 – Part Numbers

Part Number	Capacity	Speed Class	Operating Temperature range
IMSDSDA8D2A2A1E3A6A0000	32GB	CLASS10, UHS-I Grade 3, V30, A2	-25°C ~ 85°C
IMSDSDA8D2A2A1E3A8A0000	64GB	CLASS10, UHS-I Grade 3, V30, A2	
IMSDSDB1D2A2A1E3B1A0000	128GB	CLASS10, UHS-I Grade 3, V30, A2	
IMSDSDB3D2A2A1E3B3A0000	256GB	CLASS10, UHS-I Grade 3, V30, A2	
IMSDSDA8D2A2A1I3A6A0000	32GB	CLASS10, UHS-I Grade 3, V30, A2	-40°C ~ 85°C
IMSDSDA8D2A2A1I3A8A0000	64GB	CLASS10, UHS-I Grade 3, V30, A2	
IMSDSDB1D2A2A1I3B1A0000	128GB	CLASS10, UHS-I Grade 3, V30, A2	
IMSDSDB3D2A2A1I3B3A0000	256GB	CLASS10, UHS-I Grade 3, V30, A2	

3. Product Information

3.1 Compliant Specifications – SD Memory Card Specifications:

Compliant with Part 1 Physical Layer Specification Ver. 6.10

Compliant with Part 2 File System Specification Ver. 3.00

Compliant with Part 3 Security Specification Ver. 7.00

Standard Size SD Card Mechanical Addendum Ver . 7.0

3.2 Bus Speed Mode (use 4 parallel data lines)

Non-UHS mode

- Default Speed Mode: 3.3V signaling, frequency up to 25MHz, data transfer up to 12.5MB/sec
- High Speed Mode: 3.3V signaling, frequency up to 50MHz, data transfer up to 25MB/sec

UHS-I mode

- SDR12: SDR up to 25MHz, 1.8V signaling
- SDR25: SDR up to 50MHz, 1.8V signaling
- SDR50: 1.8V signaling, frequency up to 100MHz, up to 50 MB/sec
- SDR104: 1.8V signaling, frequency up to 208MHz, up to 104MB/sec.
- DDR50: 1.8V signaling, frequency up to 50MHz, sampled on both clock edges, up to 50MB/sec

Note: Timing in 1.8V signaling is different from that of 3.3V signaling.

3.3 Product Features

Electrical/Physical Interface: SD

- Support SD SPI mode
- Designed for read-only and read/write cards
- The command list supports [Part 1 Physical Layer Specification Ver 6.01] definitions
- Support CPRM (Content Protection for Recordable Media) of SD Card (optional)
- Support Hot Plug
 - Card removal during read operation will never harm the content
- Password Protection of cards (optional)
- Built-in write protection features (mechanical switch, permanent and temporary)
- +4KV/-4KV ESD protection in contact pads
- Operation voltage range: 2.7 ~ 3.6V

Copyrights Protection Mechanism

- Compliant with Part 1 Physical Layer Specification ver. 6.10, CPRM is Optional in SDHC/SDXC.

Advanced Flash Management

LDPC ECC (Low Density Parity Check Error Correction Code)

The deterioration of the flash memory cell over time and the disruptions from neighboring flash memory pages can lead to random bit errors in the stored data. While the chances of any given data bit being corrupted is quite small, the vast number of data bits in a storage system makes the likelihood of data corruption a very real possibility. Error detection and correction codes are used in flash memory storage systems to protect the data from corruption.

Static and Dynamic Wear Leveling

Wear leveling is a process that helps reduce premature wearing out of NAND Flash devices. The Flash controller manages access to the NAND Flash memory devices and determines how the NAND Flash blocks are used. In most cases, the NAND Flash controller maintains a lookup table to translate the memory array's physical block address (PBA) to the logical block address (LBA) used by the host system known as Physical to Logical Address Translation Table.

Bad Block Management

Bad blocks are blocks that include one or more invalid bits, and their reliability is not guaranteed. Blocks that are identified and marked as bad by the manufacturer are referred to as "Initial Bad Blocks". Bad blocks that are developed during the lifespan of the flash are named "Later Bad Blocks"

3.4 SD Card Comparison

Table 2 – SDSC, SDHC, and SDXC Comparison table

Comparison Table			
	SDSC	SDHC	SDXC
File System	FAT 12/16	FAT32	exFAT
Addressing Mode	Byte (1 byte unit)	Block (512 byte unit)	Block (512 byte unit)
HCS/CCS bits of ACMD41	Support	Support	Support
CMD8 (SEND_IF_COND)	Support	Support	Support
CMD16 (SET_BLOCKLEN)	Support	Support (Only CMD42)	Support (Only CMD42)
Partial Read	Support	Not Support	Not Support
Lock/Unlock Function	Mandatory	Mandatory	Mandatory
Write Protect Groups	Optional	Not Support	Not Support
Supply Voltage 2.0V – 2.7V (for operation)	Support	Support	Support

Total Bus Capacitance for each signal line	40pF	40pF	40pF
CSD Version (CSD_STRUCTURE Value)	1.0 (0x0)	2.0 (0x1)	2.0 (0x1)
Speed Class	Optional	Mandatory (Class 2 / 4 / 6 / 10)	Mandatory (Class 2 / 4 / 6 / 10)

4. Product Specification

4.1 Performance

We specify the performance of our NAND products as below:

- **“Peak”** describes the measured performance when the product is new and unused. It is commonly used by vendors in their datasheets. However, SSDs by design reduce performance after a relatively short usage period, so peak values cannot be used to predict an application’s longer-term performance.

We are specifying peak performance for easier comparison of I’M’s products with other solutions but recommend considering sustained performance values when selecting the most suitable solution for an application. Further detail can also be found in our whitepaper on performance ([hyperlink](#))

Table 3 – Burst Performance

Capacity	Speed Class	Sequential performance		Random Performance	
		Read (MB/s)	Write (MB/s)	4K Read (IOPS)	4K Write (IOPS)
32GB	A2, V30, CL10, UHS-I Grade 3	100.90	53	9804	2389
64GB		100.90	53	9804	2389
128GB		100.90	92.74	9804	2601
256GB		100.90	93.21	9804	2756

Notes:

1. Peak performance measured in **Fresh Out of the Box (FOB)** condition
2. Sequential performance is measured with 128KB transfer size; QD32 and 4KB align with IO Meter.
3. Random performance tested with IO Meter: 4KB random write with QD32.
4. Performance may differ depending on application and platform.

4.2 Endurance and Reliability

Endurance

The lifetime of our NAND products is specified in TBW (Tera Bytes Written), i.e. the total amount of data that the host can write to the NAND media in a defined pattern. In our case this pattern is based on the workload definitions set by JEDEC in JESD219A.

Same as for performance, endurance specification varies greatly depending on the underlying assumptions (especially also if the formula set by JEDEC, including the guard band is used) and I'M recommend assuring these assumptions are the same when comparing TBW values of different products.

Our endurance whitepaper is available here and offers a simple calculator to validate and analyse different endurance values

Table 4 – Tera Bytes Written

Capacity	TBW
32GB	tbd.
64GB	tbd.
128GB	tbd.
256GB	tbd.

Notes:
 1. TBW values are specified based on JEDEC 219A client and enterprise workload
 2. Actual lifetime may vary depending on platform and application

Reliability

Table 5 – Reliability

Parameter	Value
MTBF	2,000,000 Hours

5. Electrical Specifications

5.1 Power Consumption

Table 6 – Power Consumption

Power Consumption					
Mode		Max Power Consumption			
		Power Up Current (uA)	Read (mA)@ @3.6V	Write (mA)@3.6V	Standby (mA)
Default Speed Mode		250	150	150	1
High Speed Mode		250	200	200	1
UHS-1 Mode	UHS50/DDR50	250	400	400	1
	UHS104/DDR50	250	400	400	1

Notes:
 1.Power consumption are measured at room temperature.
 2.Power consumption of Max. Standby Current is for SD cards uwith the max. capacity
 3.For SDXC, up to 100mA from VDD1 when XPC=0; up to 150mA from VDD1 when XPC=1.

5.2 DC Characteristic

Table 7 – Bus Operating Conditions – Threshold Level

Bus Operating Conditions – Threshold Level					
Parameter	Symbol	Min	Max	Unit	Condition
Supply Voltage	VDD	2.7	3.6	V	
Output High Voltage	VOH	0.75*VDD		V	IOH=-2mA VDD Min
Output Low Voltage	VOL		0.125*VDD	V	IOL=2mA VDD Min
Input High Voltage	VIH	0.625*VDD	VDD+0.3	V	
Input Low Voltage	VIL	VSS-0.3	0.25*VDD	V	
Power Up Time			250	ms	From 0V to VDD min

Table 8 – Peak Voltage and Leakage Current

Peak Voltage and Leakage Current			
Parameter	Min	Max	Unit
Peak voltage on all lines	-0.3	VDD+0.3	V
All inputs			
Input Leakage Current	-10	10	uA
All outputs			
Output Leakage Current	-10	10	uA

5.3 Bus Signal Line Levels

Table 9 – Bus Operation Conditions – Signal Line’s Load

Bus Operation Conditions – Signal Line’s Load					
Parameter	Symbol	Min	Max	Unit	Remark
Pull-up resistance	R _{CMD} R _{DAT}	10	100	kΩ	To prevent bus floating
Total bus capacitance for each signal line	C _L		40	pF	1 card C _{HOST} +C _{BUS} shall not exceed 30 pF
Card Capacitance for each signal pin	C _{CARD}		10	pF	
Maximum signal line inductance			16	nH	
Pull-up resistance inside card (pin1)	R _{DAT3}	10	90	kΩ	May be used for card detection
Capacity Connected to Power Line	C _C		5	uF	To prevent inrush current
Notes: 1.The total capacitance CL the CLK line of the SD Memory Card bus is the sum of the bus master capacitance C _{HOST} , the bus capacitance C _{BUS} itself and the capacitance C _{CARD} of each card connected to this line: $CL = C_{HOST} + C_{BUS} + N \cdot C_{CARD}$, Where N is the number of connected cards.					

5.4 Power up Time of Host

Host needs to keep power line level less than 0.5V and more than 1ms before power ramp up.

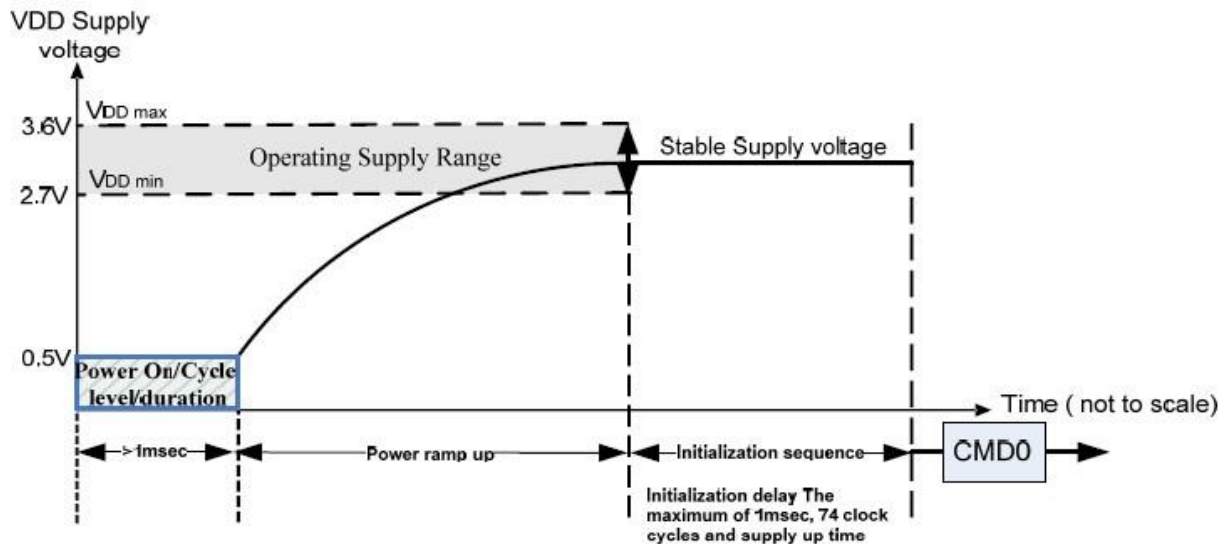


Figure 1 – Power up Time of Host

Power On or Power Cycle

Followings are requirements for Power on and Power cycle to assure a reliable SD Card hard reset.

- (1) Voltage level shall be below 0.5V
- (2) Duration shall be at least 1ms.

Power Supply Ramp Up

The power ramp up time is defined from 0.5V threshold level up to the operating supply voltage which is stable between VDD (min.) and VDD (max.) and host can supply SDCLK.

Followings are recommendation of Power ramp up:

- (1) Voltage of power ramp up should be monotonic as much as possible.
- (2) The minimum ramp up time should be 0.1ms.
- (3) The maximum ramp up time should be 35ms for 2.7-3.6V power supply.
- (4) Host shall wait until VDD is stable.
- (5) After 1ms VDD stable time, host provides at least 74 clocks before issuing the first command.

Power Down and Power Cycle

When the host shuts down the power, the card VDD shall be lowered to less than 0.5Volt for a minimum period of 1ms. During power down, DAT, CMD, and CLK should be disconnected or driven to logical 0 by the host to avoid a situation that the operating current is drawn through the signal lines.

If the host needs to change the operating voltage, a power cycle is required. Power cycle means the power is turned off and supplied again. Power cycle is also needed for accessing cards that are already in Inactive State. To create a power cycle the host shall follow the power down description before power up the card (i.e. the card VDD shall be once lowered to less than 0.5Volt for a minimum period of 1ms).

5.5 Power Up Time of Card

A device shall be ready to accept the first command within 1ms from detecting VDD min. Device may use up to 74 clocks for preparation before receiving the first command.

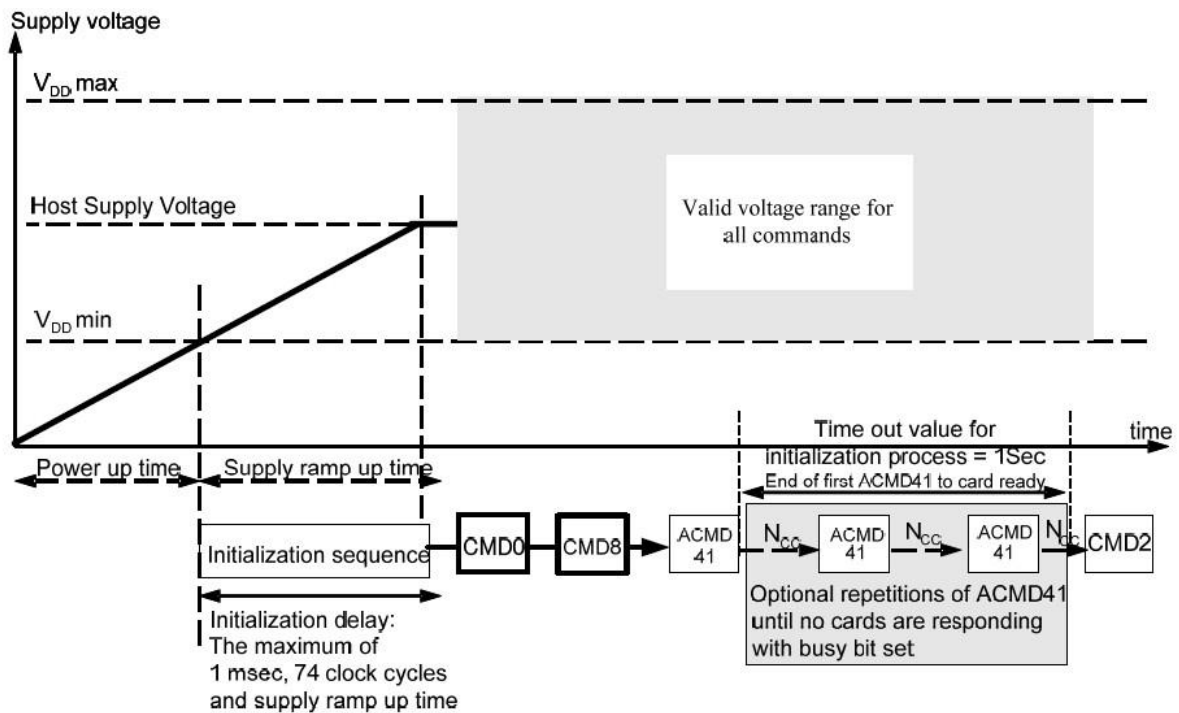


Figure 2 – Power up Time of Card

5.6 SD Interface Timing (Default)

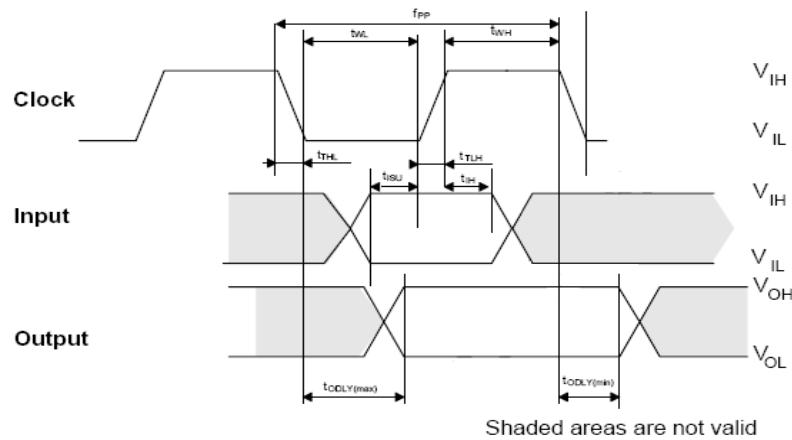


Figure 3 – Input/Output Timing (Default Speed Mode)

Table 10 – Bus Operation Conditions – Signal Line’s Load

Interface timing (Default)					
Parameter	Symbol	Min	Max	Unit	Remark
Clock CLK (All values are referred to min(V _{IH}) and max(V _{IL}))					
Clock frequency Data Transfer Mode	f _{PP}	0	25	MHz	C _{card} ≤ 10pF (1 card)
Clock frequency Identification Mode	f _{OD}	0 _{..} 1/100	400	kHz	C _{card} ≤ 10pF (1 card)
Clock low time	t _{WL}	10		n	C _{card} ≤ 10pF (1 card)
Clock high time	t _{WH}	10		ns	C _{card} ≤ 10pF (1 card)
Clock rise time	t _{TLH}		10	ns	C _{card} ≤ 10pF (1 card)
Clock fall time	t _{THL}		10	ns	C _{card} ≤ 10pF (1 card)
Inputs CMD, DAT (referenced to CLK)					
Input set-up time	t _{ISU}	5		ns	C _{card} ≤ 10pF (1 card)
Input hold time	t _{IH}	5		ns	C _{card} ≤ 10pF (1 card)
Outputs CMD, DAT (referenced to CLK)					
Output Delay time during Data Transfer Mode	t _{ODLY}	0	14	ns	C _L ≤ 40pF (1 card)
Output Delay time during Identification Mode	t _{ODLY}	0	50	ns	C _L ≤ 40pF (1 card)
Notes: *1: 0Hz means to stop the clock. The given minimum frequency range is for cases were continues clock is required.					

5.7 SD Interface Timing (High-Speed Mode)

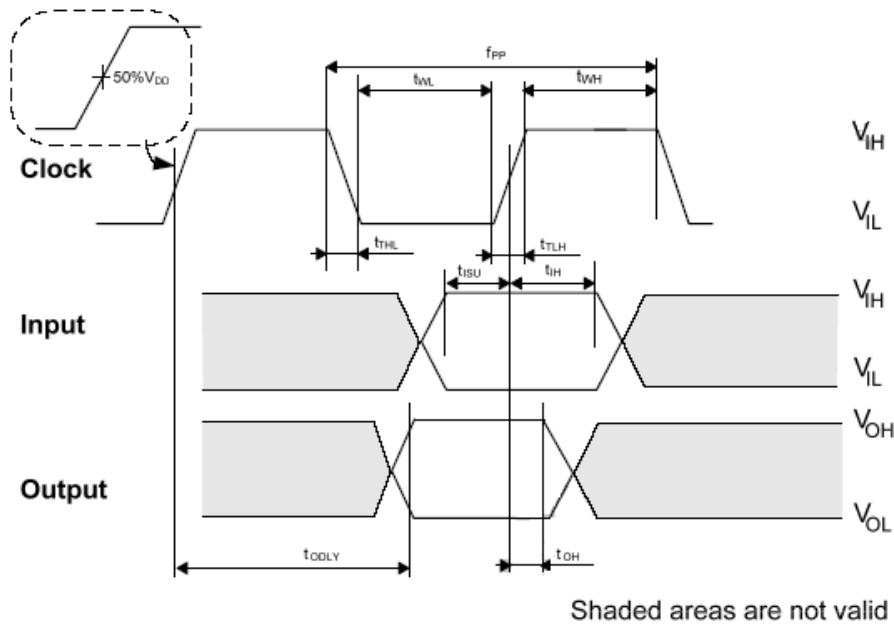


Figure 4 – Input/Output Timing (High-Speed Mode)

Table 11 – Interface timing (High-Speed Mode)

Interface timing (High-Speed Mode)					
Parameter	Symbol	Min	Max	Unit	Remark
Clock CLK (All values are referred to min(V _{IH}) and max(V _{IL}))					
Clock frequency Data Transfer Mode	f _{PP}	0	50	MHz	C _{card} ≤ 10pF (1 card)
Clock low time	t _{WL}	7		ns	C _{card} ≤ 10pF (1 card)
Clock high time	t _{WH}	7		ns	C _{card} ≤ 10pF (1 card)
Clock rise time	t _{TLH}		3	ns	C _{card} ≤ 10pF (1 card)
Clock fall time	t _{THL}		3	ns	C _{card} ≤ 10pF (1 card)
Inputs CMD, DAT (referenced to CLK)					
Input set-up time	t _{ISU}	6		ns	C _{card} ≤ 10pF (1 card)
Input hold time	t _{IH}	2		ns	C _{card} ≤ 10pF (1 card)
Outputs CMD, DAT (referenced to CLK)					
Output Delay time during Data Transfer Mode	t _{ODLY}		14	ns	C _L ≤ 40pF (1 card)
Output Hold time	T _{OH}	2.5		ns	C _L ≤ 15pF (1 card)
Total System capacitance of each line*1	C _L		40	nF	C _L ≤ 15pF (1 card)
Notes:					
*1: In order to satisfy severe timing, the host shall drive only one card. AC Characteristic (SDR12, SDR25, SDR50 and SDR10)					

5.8 SD Interface Timing (SDR12, SDR25, SDR50 and SDR104 Modes)

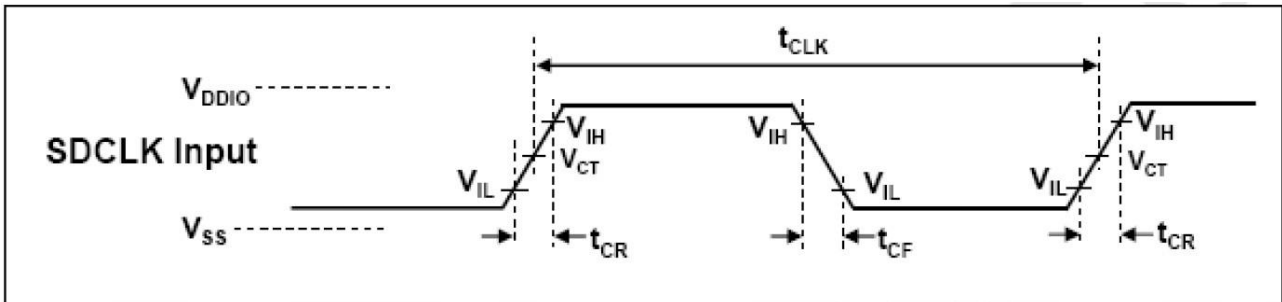


Figure 5 – Clock Signal Timing

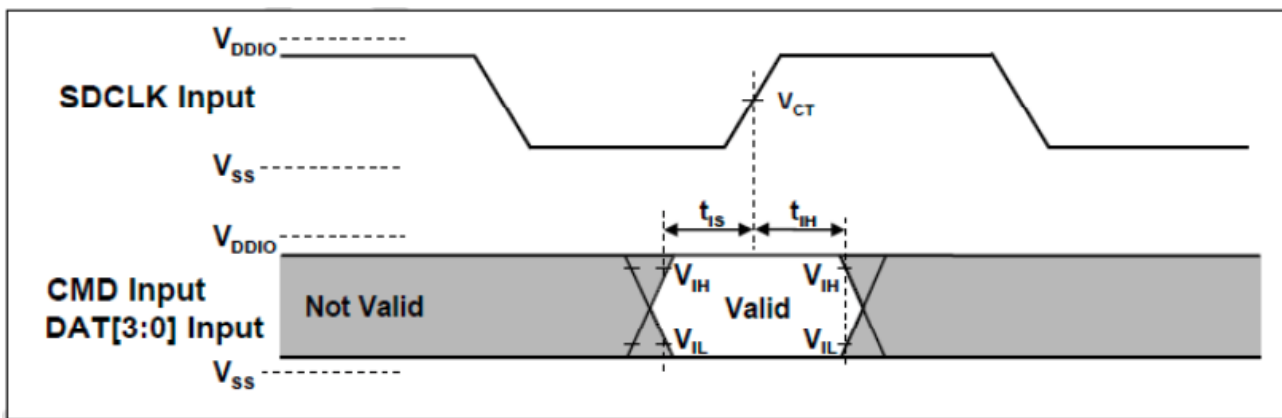


Figure 6 – Card Input Timing

Table 12 – Interface timing (High-Speed Mode)

Interface timing (SDR12, SDR25, SDR50 and SDR104 Modes Input)				
Symbol	Min	Max	Unit	Remark
t _{CLK}	4.8	-	ns	208MHz (Max.), Between rising edge, V _{CT} = 0.975V
t _{CR} , t _{CF}	-	0.2* t _{CLK}	ns	t _{CR} , t _{CF} < 0.96ns (max.) at 208MHz, CCARD =10pF t _{CR} , t _{CF} < 2.00ns (max.) at 100MHz, CCARD =10pF The absolute maximum value 17ft he, t _{CF} is 10ns regardless of clock frequency
Clock Duty	30	70	%	
Symbol	Min	Max	Unit	SDR 104 Mode
t _{IS}	1.40	-	ns	CCARD =10pF, V _{CT} = 0.975V
t _{IH}	0.81	-	ns	CCARD = 5pF, V _{CT} = 0.975V
Symbol	Min	Max	Unit	SDR50 Mode
t _{IS}	3.00	-	ns	CCARD =10pF, V _{CT} = 0.975V
t _{IH}	0.81	-	ns	CCARD = 5pF, V _{CT} = 0.975V

6. Environmental Specifications

Table 13 – Environmental Specifications

Environmental Specifications		
Test	Test Condition	
Temperature	Operation	Mobile temperature: -25°C ~ 85°C, 0% RH, 96 hours Industrial temperature: -40°C ~ 85°C, 0% RH, 300 hours
	Storage	Mobile temperature: -40°C, 0% RH, 168 hours ; 85°C, 0% RH, 500 hours Industrial temperature: -40°C, 0% RH, 500 hours ; 85°C, 0% RH, 500 hours
Humidity	Operation	Mobile temperature: 25°C, 95% RH 1 hours Industrial temperature: 55°C, 95% RH 4 hours
	Storage	Mobile temperature: 40°C, 95% RH 500 hours Industrial temperature: 55°C, 95% RH 500 hours
Shock	Mobile temperature: 500G, 0.5ms Industrial temperature: 1500G, 0.5ms	
Vibration	20Hz~80Hz/1.52mm (frequency/displacement) 80Hz~2000Hz/20G (frequency/displacement) X, Y, Z axis/30mins each	
Drop	150cm free fall, 6 face of each	
Bending	≥10N, hold 1Min / 5 Times	
Torque	0.15N-m or +/-2.5deg, hold 30 seconds / 5 Times	
Durability	10,000 times mating cycle	
ESD	Non-operation	Contact: +/- 4KV each item; 5 times/Pin Air: +/- 15KV ; 5 times/Position
	Operation	Air: +/- 8KV ; 10 times/Position (B-Grade)

7. Interface

7.1 Pin Assignment and Descriptions

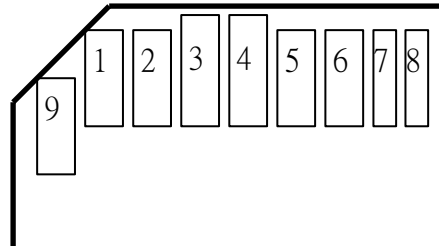


Figure 7 – Pin Locations

Table 14 – Signal Segment Pin Assignment and Descriptions

Pin Assignment and Descriptions						
Pin #	SD Mode			SPI Mode		
	Name	Type ¹	Description	Name	Type	Description
1	DAT2	I/O/PP	Data Line[bit2]	RSV		
2	CD/DAT3 ²	I/O/PP ³	Card Detect/ Data Line[bit3]	CS	I ³	Chip Select (negtrue)
3	CMD	PP	Command/Response	DI	I	Data In
4	VDD	S	Supply voltage	VDD	S	Supply voltage
5	CLK	I	Clock	SCLK	I	Clock
6	VSS	S	Supply voltage ground	VSS	S	Supply voltage ground
7	DAT0	I/O/PP	Data Line[bit0]	DO	O/PP	Data Out
8	DAT1	I/O/PP	Data Line[bit1]	RSV		

Note:
 S: power supply
 I: input
 O: output using push-pull drivers
 PP:I/O using push-pull drivers
 The extended DAT lines (DAT1-DAT3)are input on power up. They start to operate as DAT lines after SET_BUS_WIDTH command. The Host shall keep its own DAT1-DAT3 lines in input mode, as well, while they are not used. It is defined so, in order to keep compatibility to MultiMedia Cards.
 At power up this line has a 50Kohm pull up enabled in the card. This resistor serves two functions Card detection and Mode Selection. For Mode Selection, the host can drive the line high or let it be pulled high to select SD mode. If the host wants to select SPI mode it should drive the line low. For Card detection, the host detects that the line is pulled high. The user should disconnect this pull-up during regular data transfer period, with SET_CLR_CARD_DETECT (ACMD42) command.

8. Physical Dimension

23.0 mm(L) x 24.0 mm(W) x 1.00 mm(T)

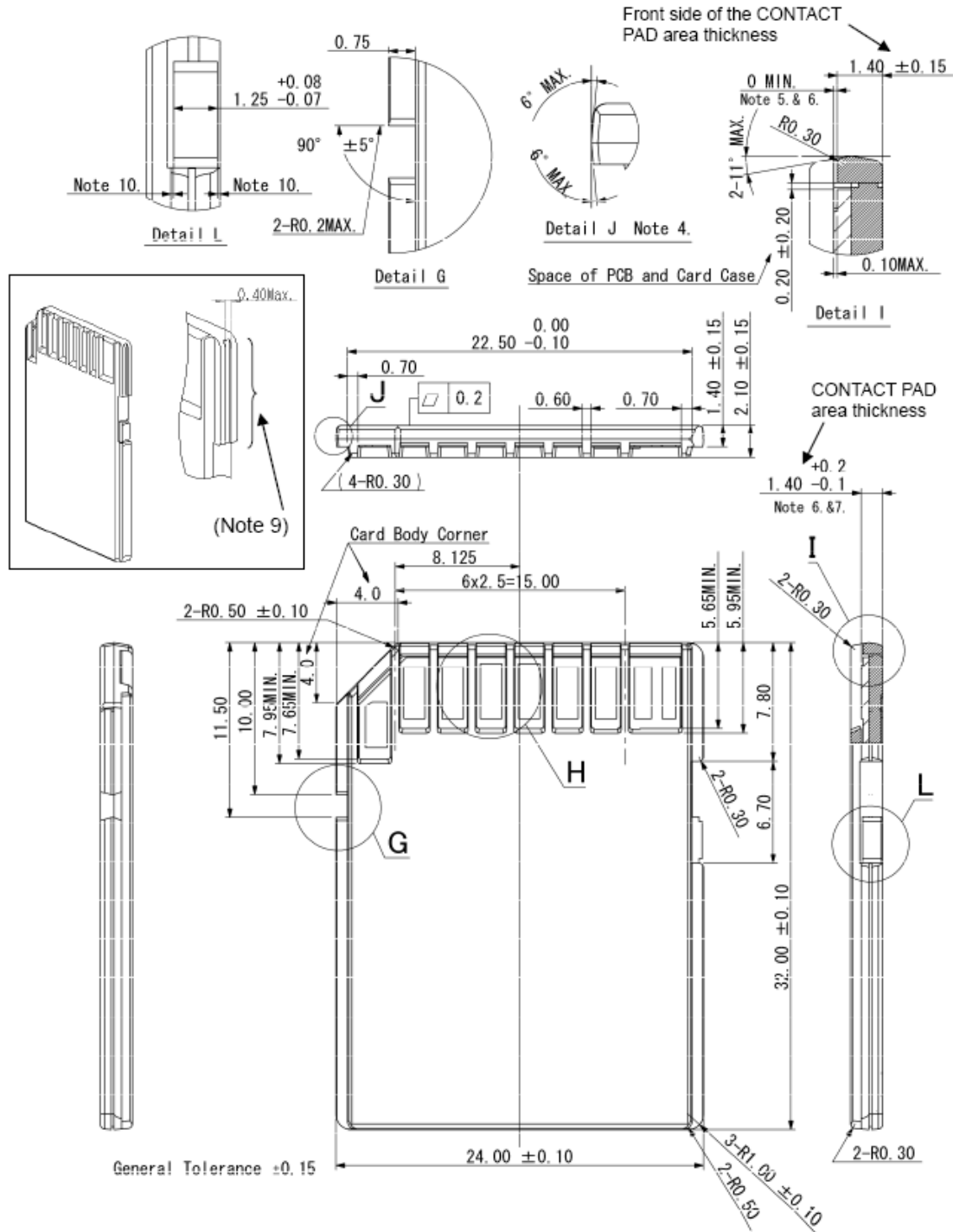


Figure 8 – Device Physical Dimension