

PANASONIC VRF Air Conditioning

Gateway for integration of Panasonic VRF systems into KNX home automation systems

USER MANUAL

Issue date: 06/2019 r1.0 ENGLISH



Important User Information

Disclaimer

The information in this document is for informational purposes only. Please inform HMS Industrial Networks of any inaccuracies or omissions found in this document. HMS Industrial Networks disclaims any responsibility or liability for any errors that may appear in this document.

HMS Industrial Networks reserves the right to modify its products in line with its policy of continuous product development. The information in this document shall therefore not be construed as a commitment on the part of HMS Industrial Networks and is subject to change without notice. HMS Industrial Networks makes no commitment to update or keep current the information in this document.

The data, examples and illustrations found in this document are included for illustrative purposes and are only intended to help improve understanding of the functionality and handling of the product. In view of the wide range of possible applications of the product, and because of the many variables and requirements associated with any particular implementation, HMS Industrial Networks cannot assume responsibility or liability for actual use based on the data, examples or illustrations included in this document nor for any damages incurred during installation of the product. Those responsible for the use of the product must acquire sufficient knowledge in order to ensure that the product is used correctly in their specific application and that the application meets all performance and safety requirements including any applicable laws, regulations, codes and standards. Further, HMS Industrial Networks will under no circumstances assume liability or responsibility for any problems that may arise as a result from the use of undocumented features or functional side effects found outside the documented scope of the product. The effects caused by any direct or indirect use of such aspects of the product are undefined and may include e.g. compatibility issues and stability issues.

Gateway for the integration of Panasonic VRF systems into KNX home automation systems.

ORDER CODE	LEGACY ORDER CODE
INKNXPAN0160000	PA-AC-KNX-16
INKNXPAN0640000	PA-AC-KNX-64

INDEX

1	Description	5
1.1	Introduction	5
1.2	Functionality	6
1.3	Capacity of Intesis	6
2	KNX System	7
2.1	Description	7
2.2	Points definition	7
3	Connections	8
3.1	Power device	9
3.2	Connect to Panasonic installation	9
3.3	Connection to KNX	9
3.4	Connection to the configuration tool	9
4	Set-up process and troubleshooting	10
4.1	Pre-requisites	10
4.2	Intesis MAPS. Configuration & monitoring tool for Intesis KNX series	10
4.2.1	Introduction	10
4.2.2	Connection	10
4.2.3	Configuration tab	11
4.2.4	KNX configuration	11
4.2.5	Panasonic configuration	13
4.2.6	Signals	16
4.2.7	Sending the configuration to Intesis	16
4.2.8	Diagnostic	17
4.2.9	Set-up procedure	18
5	Electrical & Mechanical Features	19
6	Dimensions	20
7	AC Unit Types compatibility	21
8	Error codes for Indoor and Outdoor Units	22
9	Appendix A – Communication Objects Table	26

1 Description

1.1 Introduction

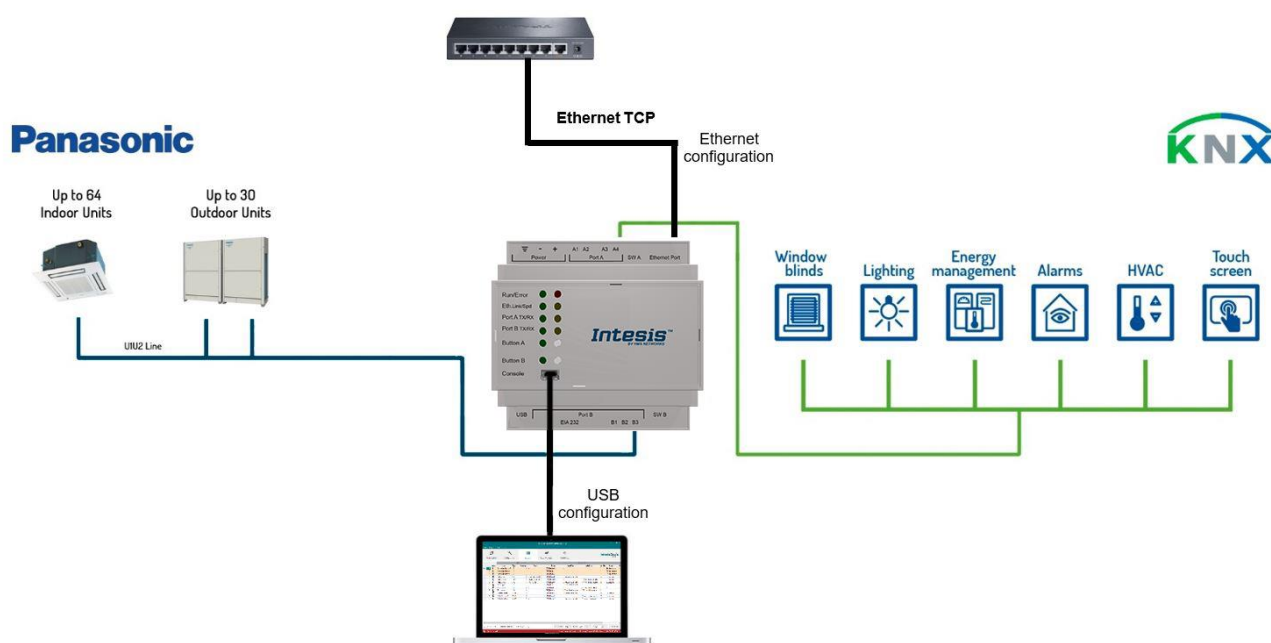
This document describes the integration of Panasonic VRF air conditioning systems into KNX home automation systems using gateway *Intesis KNX – Panasonic VRF*.

The aim of this integration is to monitor and control your Panasonic air conditioning system, from your KNX TP-1 installation. To do it so, Intesis performs as a one more KNX device, sending and receiving telegrams to group addresses in the KNX network.

Intesis makes available the Panasonic air conditioning system indoor units datapoints through independent KNX objects.

Up to 64 indoor units supported, depending on product version.

This document assumes that the user is familiar with KNX and Panasonic technologies and their technical terms.



Integration of Panasonic VRF systems into KNX control systems

1.2 Functionality

Intesis™ continuously monitors Panasonic VRF network for all configured signals and keeps the updated status of all of them in its memory. It triggers updates on configured group addresses to KNX network on value change.

Each indoor unit is offered as a set of KNX objects.

Element	Object supported
Outdoor Unit	<ul style="list-style-type: none"> Status
Indoor Unit	<ul style="list-style-type: none"> Status Command Communication status
General signals (all units)	<ul style="list-style-type: none"> Command

1.3 Capacity of Intesis

Element	Max.	Notes
Number of indoor units	64	Number of indoor units that can be controlled through Intesis

Its order code is:

- INKNXPAN016O000: Model supporting up to 16 indoor units
- INKNXPAN064O000: Model supporting up to 64 indoor units

2 KNX System

In this section, a common description for all Intesis KNX series gateways is given, from the point of view of KNX system which is called from now on *internal system*. Connection with the Panasonic system is also called from now on *external system*.

2.1 Description

Intesis KNX connects directly to the KNX TP-1 bus and performs as one more device into the KNX system, with the same configuration and operational characteristics as other KNX devices.

Internally, the circuit part connected to the KNX bus is opto-isolated from the rest of the electronics.

Intesis KNX receives, manages and sends all the telegrams related to its configuration to the KNX bus.

On receiving WRITE telegrams of KNX group addresses associated to communication objects, the corresponding messages are sent to the external system (Panasonic installation).

When a change in a signal of the external system is detected, a WRITE telegram is sent to the KNX bus (addressed with the group address associated to the corresponding group object), to maintain both systems synchronized in every moment.

The status of the KNX bus is checked continuously and, if a bus drop-down is detected, for example due to failure in the bus power supply, after the KNX bus is restored again, Intesis will send READ telegrams to group addresses of all communication objects marked with flag 'Ri'. The behavior of each individual point into Intesis is determined by the flags configured for the communication object. See details below.

2.2 Points definition

Every group object in configuration has following KNX properties:

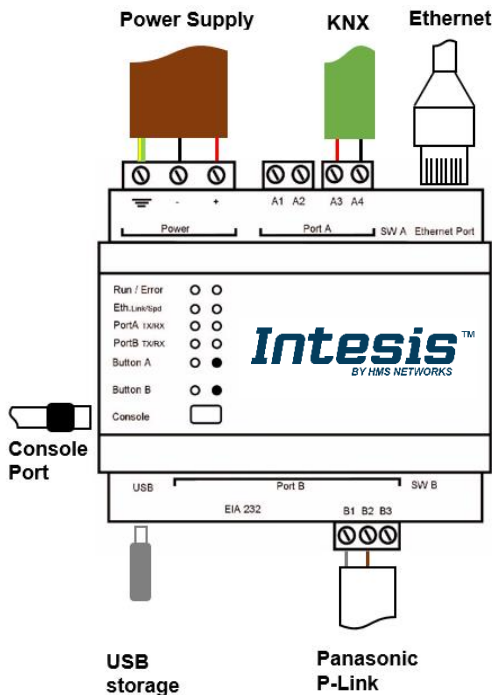
Property	Description
Description	Descriptive information about the communication object or signal.
Object function	Information on range of values for the group object.
DPT	Datapoint type. It is the KNX data type used to encode the signal's value. It will depend on the type of signal associated in the external system in every case.
Group	It is the KNX group to which the point is associated. It is also the group to which the read (R), write (W), transmit (T), update (U) and read on init (Ri) flags are applied. It is the sending group.
Listening addresses	They are the addresses that can write on the group object, a part of the main group address.
R	Read. If this flag is activated, READ telegrams of this group address will be accepted.
Ri	Read on Init. If this flag is activated, the object will trigger corresponding READ request (on associated group address) on initialization.
W	Write. If this flag is activated, WRITE telegrams on this group object will be accepted.
T	Transmit. If this flag is activated, when the group object value changes, due to a change in the external system, a WRITE telegram of the associated group address will be sent to the KNX bus.
U	Update. If this flag is activated, UPDATE telegrams (response to READ telegrams) on this group object will be accepted.
Active	If activated, the point will be active in Intesis, if not, the behavior will be as if the point is not defined. This allows deactivating points without the need of delete them for possible future use.

These properties are common for all Intesis KNX series gateways. Although each integration may have specific properties according to the type of signals of the external system.

See list of communication objects in [9 APPENDIX A – COMMUNICATION OBJECTS TABLE](#).

3 Connections

Find below information regarding the Intesis connections available.



Power Supply

Must use NEC Class 2 or Limited Power Source (LPS) and SELV rated power supply.

If using DC power supply:

Respect polarity applied of terminals (+) and (-). Be sure the voltage applied is within the range admitted (check table below). The power supply can be connected to earth but only through the negative terminal, never through the positive terminal.

If using AC power supply:

Make sure the voltage applied is of the value admitted (24 Vac). Do not connect any of the terminals of the AC power supply to earth, and make sure the same power supply is not supplying any other device.

Ethernet

Connect the cable coming from the IP network to the connector ETH of the gateway. Use an Ethernet CAT5 cable. If communicating through the LAN of the building, contact the network administrator and make sure traffic on the port used is allowed through all the LAN path (check the gateway user manual for more information). Default IP is 192.168.100.246. DHCP is enabled by default.

PortA / KNX

Connect the KNX TP1 bus to connectors A3 (+) and A4 (-) of gateway's PortA. Respect the polarity.

PortB / Panasonic VRF

Connect the P-Link terminals of Panasonic Outdoor Unit to the connectors B1 and B2 of gateway's PortB. There is no polarity to be respected.

Console Port

Connect a mini-type B USB cable from your computer to the gateway to allow communication between the Configuration Software and the gateway. Remember that Ethernet connection is also allowed. Check the user manual for more information.

USB

Connect a USB storage device (not a HDD) if required. Check the user manual for more information.

Ensure proper space for all connectors when mounted (see section [6 DIMENSIONS](#))

3.1 Power device

The first step to perform is to power up the device. To do so, a power supply working with any of the voltage range allowed is needed. Once connected the ON led will turn on.

WARNING! To avoid earth loops that can damage the gateway, and/or any other equipment connected to it, we strongly recommend:

- The use of DC power supplies, floating or with the negative terminal connected to earth. **Never use a DC power supply with the positive terminal connected to earth.**
- The use of AC power supplies only if they are floating and not powering any other device.

3.2 Connect to Panasonic installation

Use the Port B connector of the Intesis device to connect Panasonic VRF bus to the Intesis. Remember to follow all safety precautions indicated by Panasonic.

Connect the P-Link terminals of Panasonic Outdoor Unit to the connectors B1 and B2 of gateway's PortB. Bus is not sensitive to polarity.

3.3 Connection to KNX

Connect the KNX TP1 bus to connectors A3 (+) and A4 (-) of gateway's PortA. Respect the polarity.

3.4 Connection to the configuration tool

This action allows the user to have access to configuration and monitoring of the device (more information can be found in the configuration tool User Manual). Two methods to connect to the PC can be used:

- **Ethernet:** Using the Ethernet port of Intesis.
- **USB:** Using the console port of Intesis, connect a USB cable from the console port to the PC.

4 Set-up process and troubleshooting

4.1 Pre-requisites

It is necessary to have a KNX installation, device or interface operative and well connected to the corresponding KNX port of Intesis. It is also required to have a Panasonic VRF installation, with accessible P-LINK port for connection of Intesis.

Connectors, connection cables, PC to use the configuration tool and other auxiliary material, if needed, are not supplied by HMS Industrial Networks S.L.U for this standard integration.

Items supplied by HMS Networks for this integration are:

- Intesis gateway.
- Link to download the configuration tool.
- USB Console cable to communicate with Intesis.
- Product documentation.

4.2 Intesis MAPS. Configuration & monitoring tool for Intesis KNX series

4.2.1 Introduction

Intesis MAPS is a Windows® compatible software developed specifically to monitor and configure Intesis new generation gateways.

The installation procedure and main functions are explained in the *Intesis MAPS KNX User Manual*. This document can be downloaded from the link indicated in the installation sheet supplied with the Intesis device or in the product website at www.intesis.com

In this section, only the specific case of Panasonic to KNX systems will be covered.

Please check the Intesis MAPS KNX User Manual for specific information about the different parameters and how to configure them.

4.2.2 Connection

To configure the Intesis connection parameters press on the **Connection** button in the *menu bar*.

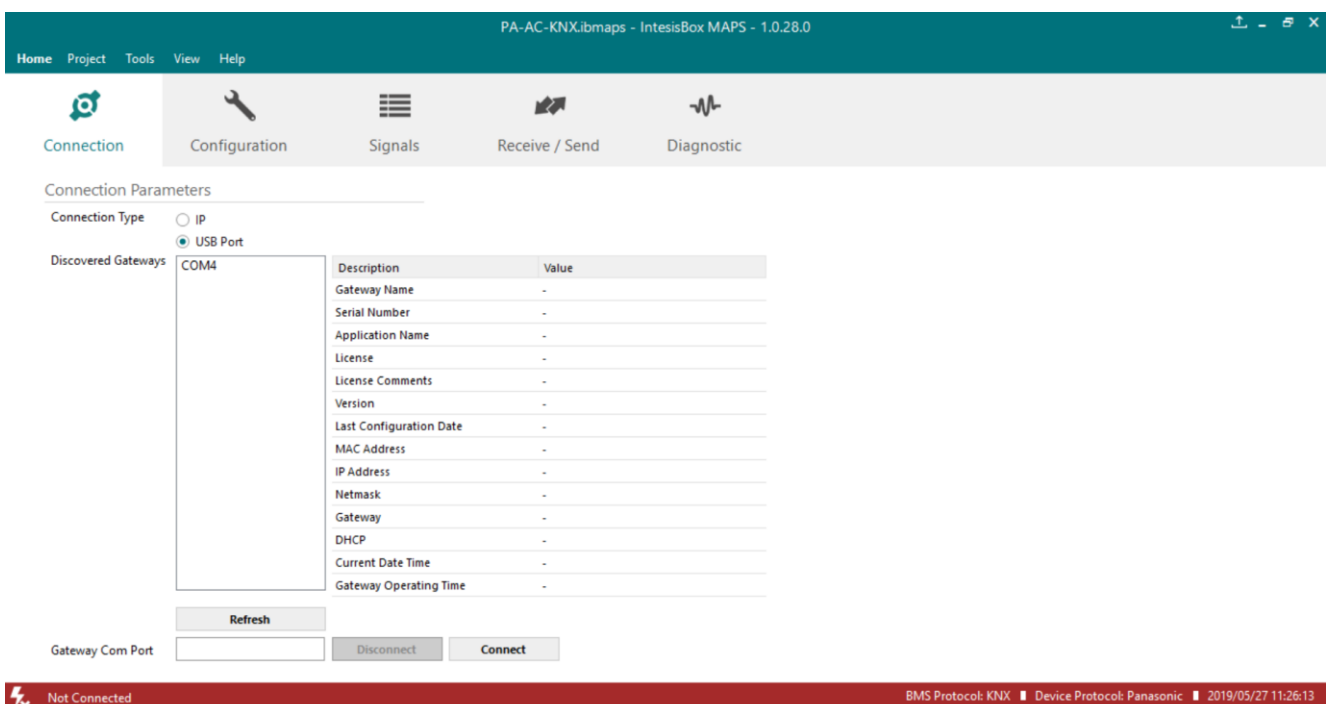


Figure 4.1 MAPS connection

4.2.3 Configuration tab

Select the **Configuration** tab to configure the connection parameters. Three subsets of information are shown in this window: General (Gateway general parameters), KNX (KNX interface configuration) and Panasonic (Panasonic interface parameters).

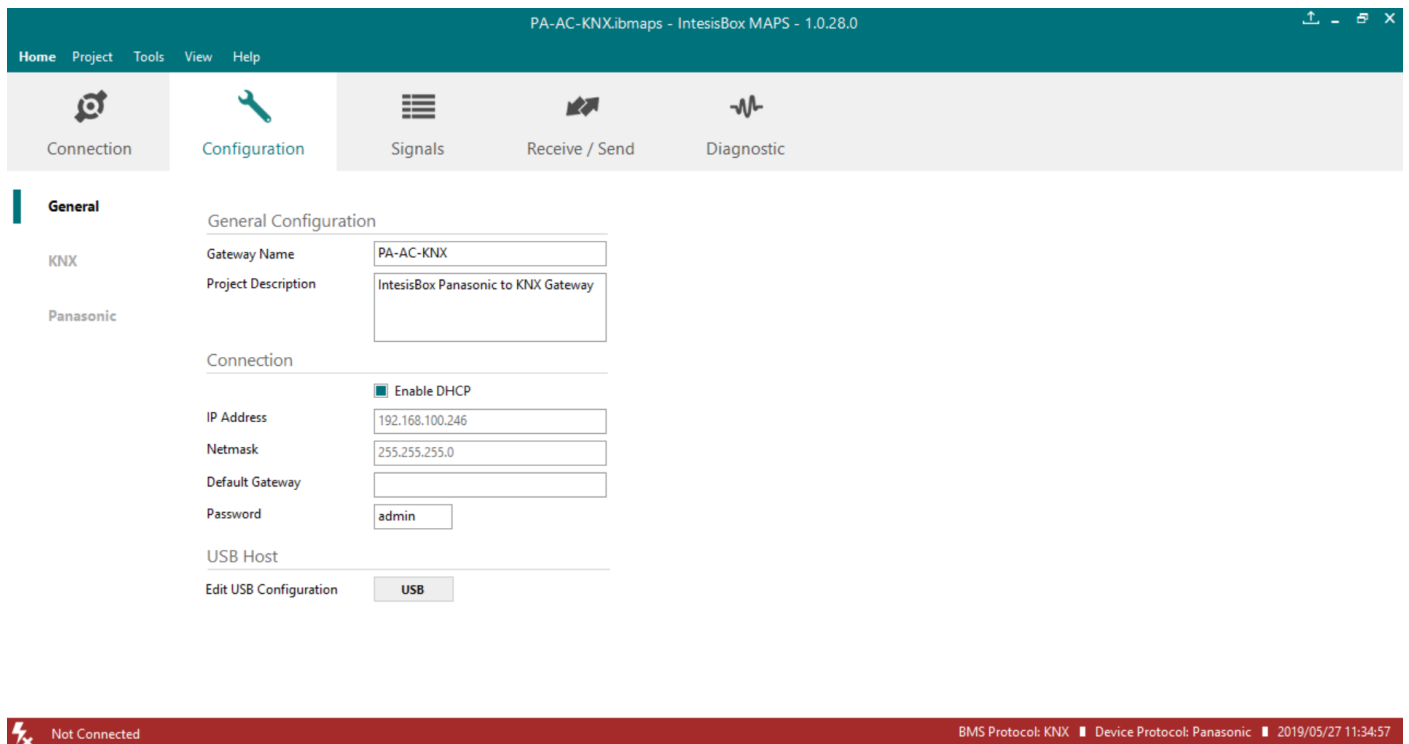


Figure 4.2 Intesis MAPS configuration tab

4.2.4 KNX configuration

Set parameters of KNX interface of Intesis.

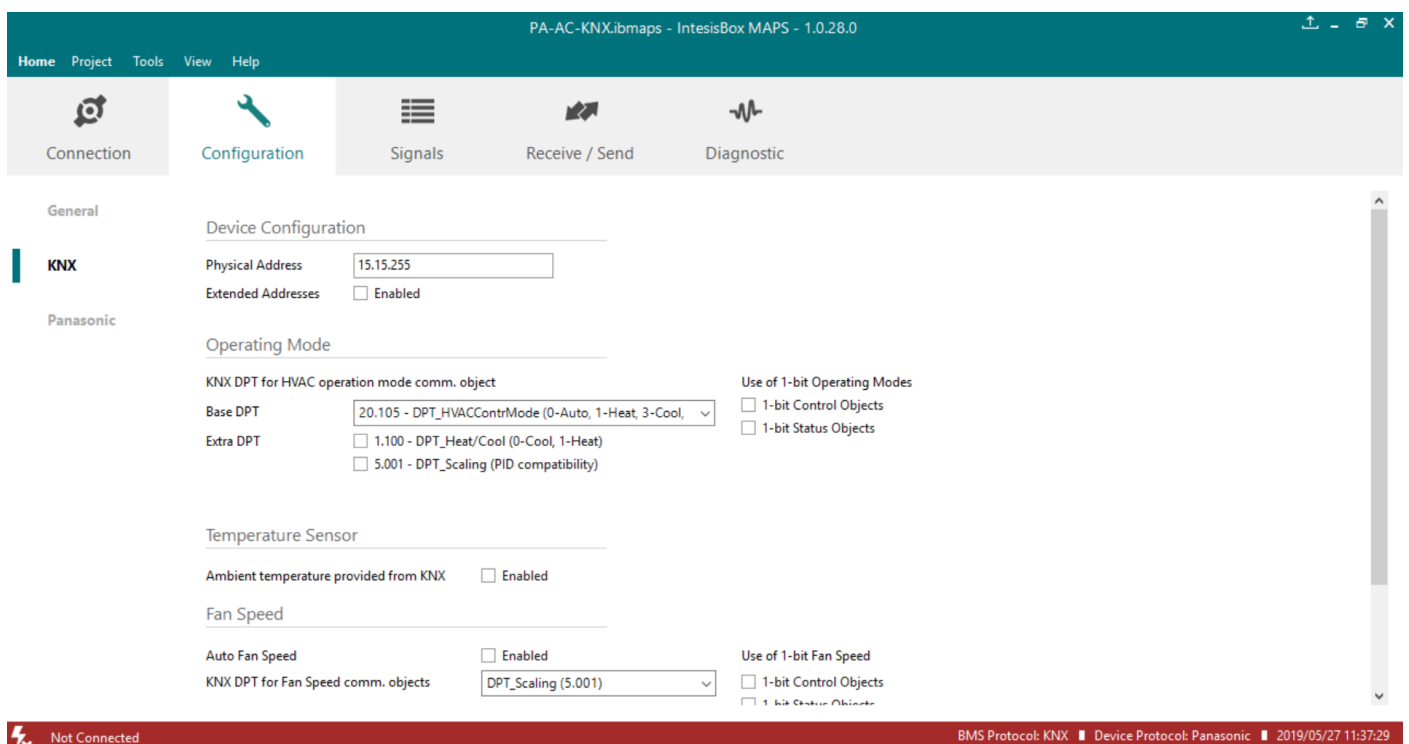


Figure 4.3 Intesis MAPS KNX configuration tab

1. Device configuration

1.1. Physical Address. KNX physical address of the device in the network

1.2. Extended Addresses. Enables usage of KNX Extended addresses (range from 16/0/0 to 32/7/255).

2. Operating Mode. Settings related to KNX interface for control and feedback of AC unit's operating mode.

2.1. KNX DPT for HVAC operation mode comm object. Base DPT. Base DPT to use for control/monitor the operating mode. Following DPT types are offered:

- DPT_20.105. DPT_HVACContrMode: 0-Auto, 1-Heat, 3-Cool, 9-Fan, 14-Dry
- DPT_5.x (non-standarized): 0-Auto, 1-Heat, 2-Dry, 3-Fan, 4-Cool
- Legacy DPT_5.x (non-standarized): 0-Cool, 1-Heat, 2-Fan, 3-Dry, 4-Auto

2.2. KNX DPT for HVAC operation mode comm object. Extra DPT. Additional DPT to use for control/monitor the operating mode.

- DPT_1.100. DPT_Heat/Cool: 0-Cool, 1-Heat.
- DPT_5.001. DPT_Scaling: Enables objects "Control_Heat Mode & On" and "Control_Cool Mode & On". Their type is DPT_Scaling (0...100%), and their ending is to be able to control parameters On/Off, Cool/Heat of indoor unit from a single percentage object. They are meant to provide compatibility with certain thermostats oriented to the operation of valves for Heating/Cooling. Whenever a value > 0% is received at each of these two objects, the corresponding operating mode and ON operation is sent to the indoor unit. Whenever both values are 0%, indoor unit is set to OFF

2.3. Use of 1-bit Operating Modes. 1-bit Control Objects. Enables a bit-type object for the control of each operating mode.

2.4. Use of 1-bit Operating Modes. 1-bit Status Objects. Enables a bit-type object for monitoring each operating mode.

3. Temperature Sensor.

3.1. Ambient temperature provided from KNX. Enables object Control_KNX ambient temperature.



NOTE: Indoor unit does not accept, by itself, that an ambient temperature for control of operation of the indoor unit is provided. To allow regulation of indoor unit according to a temperature reference from KNX, what Intesis does is passing a different temperature setpoint to the indoor unit than the one required by the user. The passed setpoint is such that the difference 'Ambient temperature reported by Panasonic IU – AC setpoint' is equal to 'Ambient temperature reported by KNX – AC setpoint required by KNX', using the following formula:

$$\text{"AC Setp. Temp"} = \text{"AC Ret. Temp"} - (\text{"KNX Amb. Temp."} - \text{"KNX Setp. Temp"})$$

Where:

- AC Setp. Temp: AC indoor unit setpoint temperature
- AC Ret. Temp: AC indoor unit return temperature
- KNX Amb. Temp.: Ambient temperature provided from KNX
- KNX Setp. Temp: Setpoint temperature provided from KNX

Consequently, when using this feature (Ambient temp provided from KNX), setpoint at AC and setpoint in KNX will not necessarily be the same (consequently, the user will not be able to operate setpoint from AC System controllers as the remote controller).

4. Fan Speed. Settings related to KNX interface for control and feedback of AC unit's fan speed.

4.1. Auto Fan Speed. Configures availability of Auto Fan Speed control/monitoring objects. Necessary if your indoor unit has auto fan speed.

4.2. KNX DPT for Fan Speed comm objects. DPT_5.001, DPT_Scaling. Control/monitoring of Fan Speed is performed by means of scaling (percentage) objects. Thresholds for control object and values for status object will vary according to number of fanspeeds of the unit.

4.3. KNX DPT for Fan Speed comm objects. DPT_5.010, DPT_Value_1_Ucount. Control/monitoring of Fan Speed is performed by means of enumerated values.

4.4. Use of 1-bit Fan Speed. 1-bit Control Objects. Enables a bit-type object for control of fan speed.

4.5. Use of 1-bit Fan Speed. 1-bit Status Objects. Enables a bit-type object for monitoring of each fan speed.

5. Vanes Position. Settings related to KNX interface for control and feedback of AC unit's vanes position.

5.1. Auto&Swing Vanes. Configures availability of Auto and Swing control/monitoring objects.

5.2. KNX DPT for Vane Position comm objects. DPT_5.001, DPT_Scaling. Control/monitoring of Vanes Positions is performed by means of scaling (percentage) objects. Thresholds for control object and values for status object will vary according to number of vanes positions of the unit.

5.3. KNX DPT for Vane Position comm objects. DPT_5.010, DPT_Value_1_Ucount. Control/monitoring of Vanes Positions is performed by means of enumerated values.

5.4. Use of 1-bit Fan Speed. 1-bit Control Objects. Enables a bit-type object for control of Vanes Positions.

5.5. Use of 1-bit Fan Speed. 1-bit Status Objects. Enables a bit-type object for monitoring of each Vanes Position.

4.2.5 Panasonic configuration

Set parameters for the connection with Panasonic installation.

PA-AC-KNX.ibmaps - IntesisBox MAPS - 1.0.28.0

Home Project Tools View Help

Connection Configuration Signals Receive / Send Diagnostic

General

KNX

Panasonic

Panasonic Line 1

Line 1 Configuration

Gateway Address in Panasonic line: Address 1

Autodiscover Panasonic line: Scan

Units Configuration

Unit ID	OU	IU	Unit Type	Description
<input checked="" type="checkbox"/> Unit 1	1	1	Not Defined	Indoor Unit 1
<input type="checkbox"/> Unit 2	1	2	Not Defined	Indoor Unit 2
<input type="checkbox"/> Unit 3	1	3	Not Defined	Indoor Unit 3
<input type="checkbox"/> Unit 4	1	4	Not Defined	Indoor Unit 4
<input type="checkbox"/> Unit 5	1	5	Not Defined	Indoor Unit 5
<input type="checkbox"/> Unit 6	1	6	Not Defined	Indoor Unit 6
<input type="checkbox"/> Unit 7	1	7	Not Defined	Indoor Unit 7
<input type="checkbox"/> Unit 8	1	8	Not Defined	Indoor Unit 8
<input type="checkbox"/> Unit 9	1	9	Not Defined	Indoor Unit 9
<input type="checkbox"/> Unit 10	1	10	Not Defined	Indoor Unit 10
<input type="checkbox"/> Unit 11	1	11	Not Defined	Indoor Unit 11
<input type="checkbox"/> Unit 12	1	12	Not Defined	Indoor Unit 12

Supported Active Units: 64

Not Connected | BMS Protocol: KNX | Device Protocol: Panasonic | 2019/05/27 11:38:03

Figure 4.4 Intesis MAPS Panasonic configuration tab

Line configuration section:

Each line of Panasonic needs to be addressed by using the parameter “**Gateway Address in Panasonic line**”. There are 2 addresses reserved for the gateway in the Panasonic bus: address 1 and address 2.

In **Units Configuration** section you need to enter, for each unit:

- **Unit ID.** If it's active (checkbox at Unit xx), ranging from 1 to 64 indoor units that will be integrated (maximum number of units will depend on Intesis model)
- **OU address.** Address 1...30 of Outdoor Unit in Panasonic line.
- **IU address.** Address 1...64 of Unit in Panasonic line.
- **Unit type.** Type will default to 'Not Defined'. When units have been detected after scan, it can be one of the following: TBD, GHP, PAC and VRF.
- **Description.** Descriptive name to ease identification of the unit (for example, 'living room floor 1 unit', etc.).

Additional to manual entry of each unit, autodiscover of present units in a P-Link installation is possible. To do so, click button **Scan**.

Figure 4.5 Intesis MAPS Scan Panasonic Units window

Scan parameters:

There are 2 different types of Scan to be applied. By default, the fastest one is defined since it is assumed that Panasonic units (indoor units and outdoor units) have been addressed. However, and only in case the units do not have an address assigned, the parameter **“Installation with units not addressed (no central address assigned)”** must be selected.

Please take into consideration that when the installation is not addressed, the scan process might take longer than the standard scan (up to 60 min). To decrease this time, it is highly recommended to reduce the OU range to be scanned as much as possible:

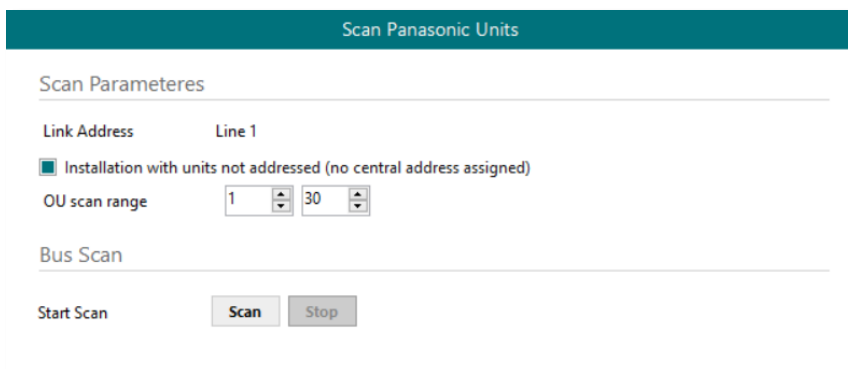


Figure 4.6 Intesis MAPS Long Scan Panasonic Units window

By pressing **Scan** button, connected Panasonic line will be scanned for available units. Error window will appear if there is a problem in the connection with P-Link bus (units not powered, bus not connected, ...).

A progress bar will appear during the scan, which will take up to a few minutes. After scan is completed, detected units will be shown.

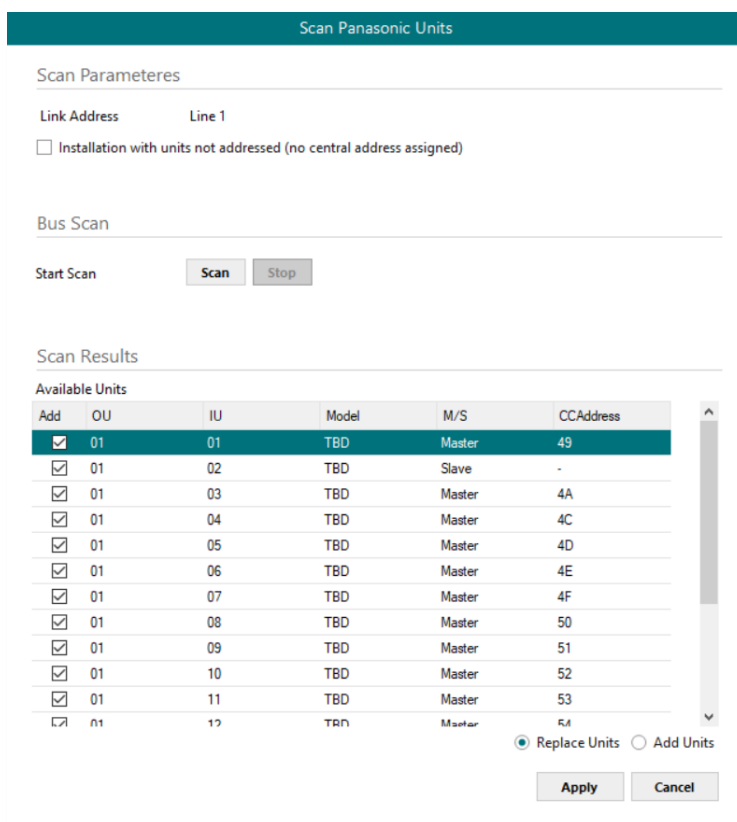


Figure 4.7 Intesis MAPS Scan Panasonic Units window with scan results

Select with its checkbox units to add (or replace) in installation, according to selection **Replace Units / Add Units**. After units to be integrated are selected, click button **Apply**, and changes will appear in previous **Units Configuration** window.

Global Parameters:

In this section it is possible to select the temperature units for monitoring of the temperature signals available in the gateways, Celsius (°C) or Fahrenheit (°F).

4.2.6 Signals

All available KNX objects, its corresponding description and other main parameters are listed in the signals tab.

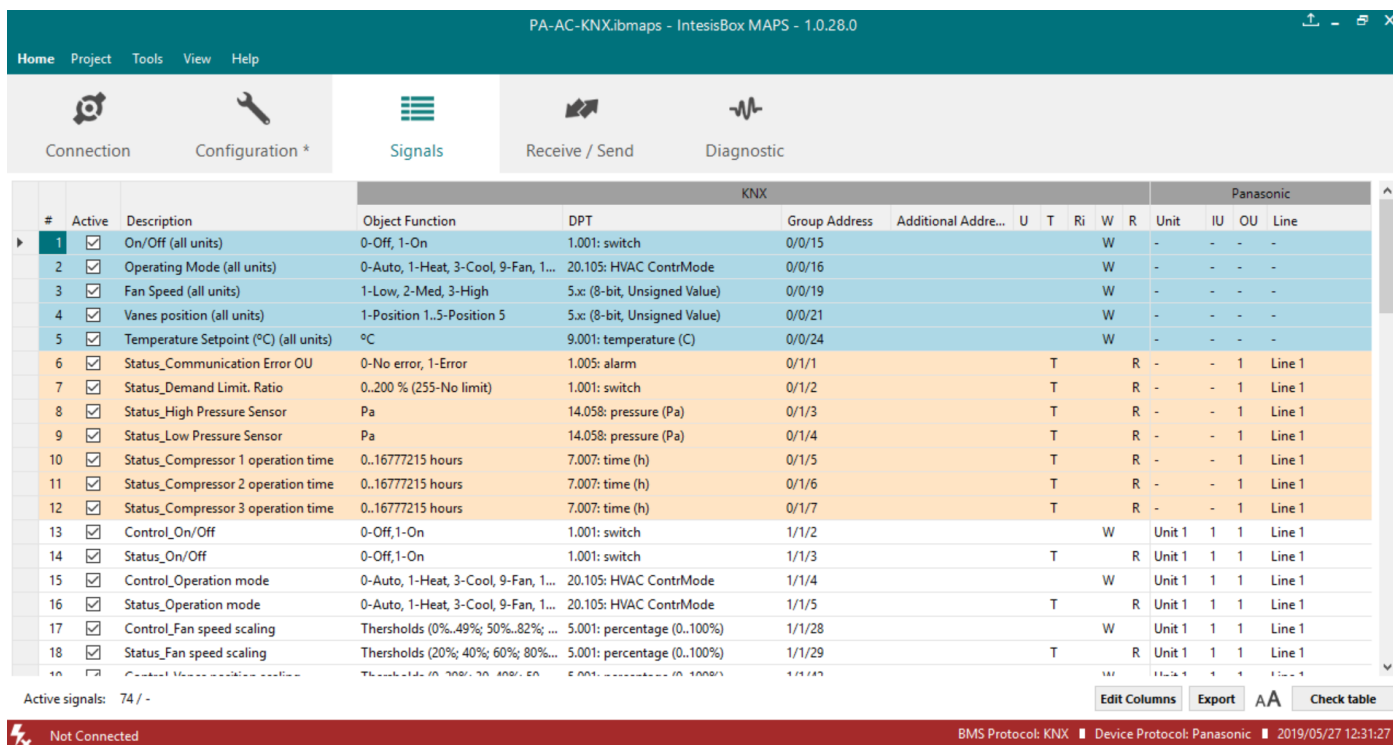


Figure 4.7 Intesis MAPS Signals tab

4.2.7 Sending the configuration to Intesis

When the configuration is finished, follow the next steps.

- 1.- Save the project (Menu option **Project->Save**) on your hard disk (more information in Intesis MAPS User Manual).
- 2.- Go to tab **'Receive / Send'** of MAPS, and in **Send** section, press **Send** button. Intesis will reboot automatically once the new configuration is loaded.

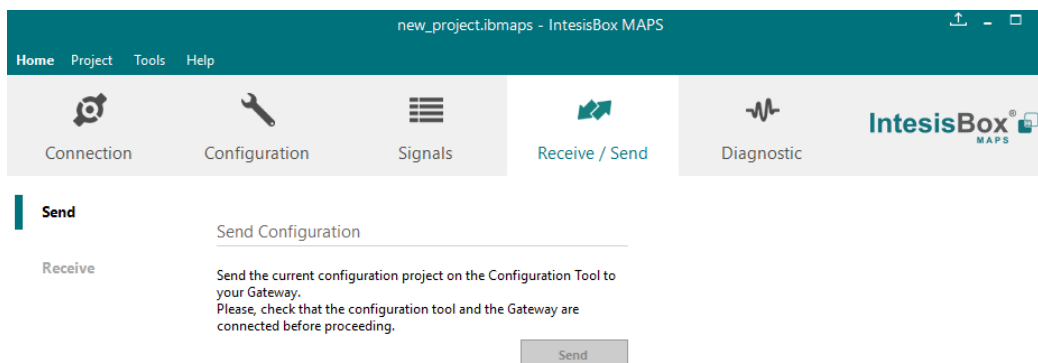


Figure 4.8 Intesis MAPS Receive/Send tab

After any configuration change, do not forget to send the configuration file to the Intesis using the Send button in the Receive / Send section.

4.2.8 Diagnostic

To help integrators in the commissioning tasks and troubleshooting, the Configuration Tool offers some specific tools and viewers.

To start using the diagnostic tools, connection with the Gateway is required.

The Diagnostic section is composed by two main parts: Tools and Viewers.

- **Tools**

Use the tools section to check the current hardware status of the box, log communications into compressed files to be sent to the support, change the Diagnostic panels' view or send commands to the gateway.

- **Viewers**

To check the communication, viewer for the Internal and External protocols are available. It is also available a generic Console viewer for general information about communications and the gateway status and finally a Signals Viewer to simulate the BMS behavior or to check the current values in the system.

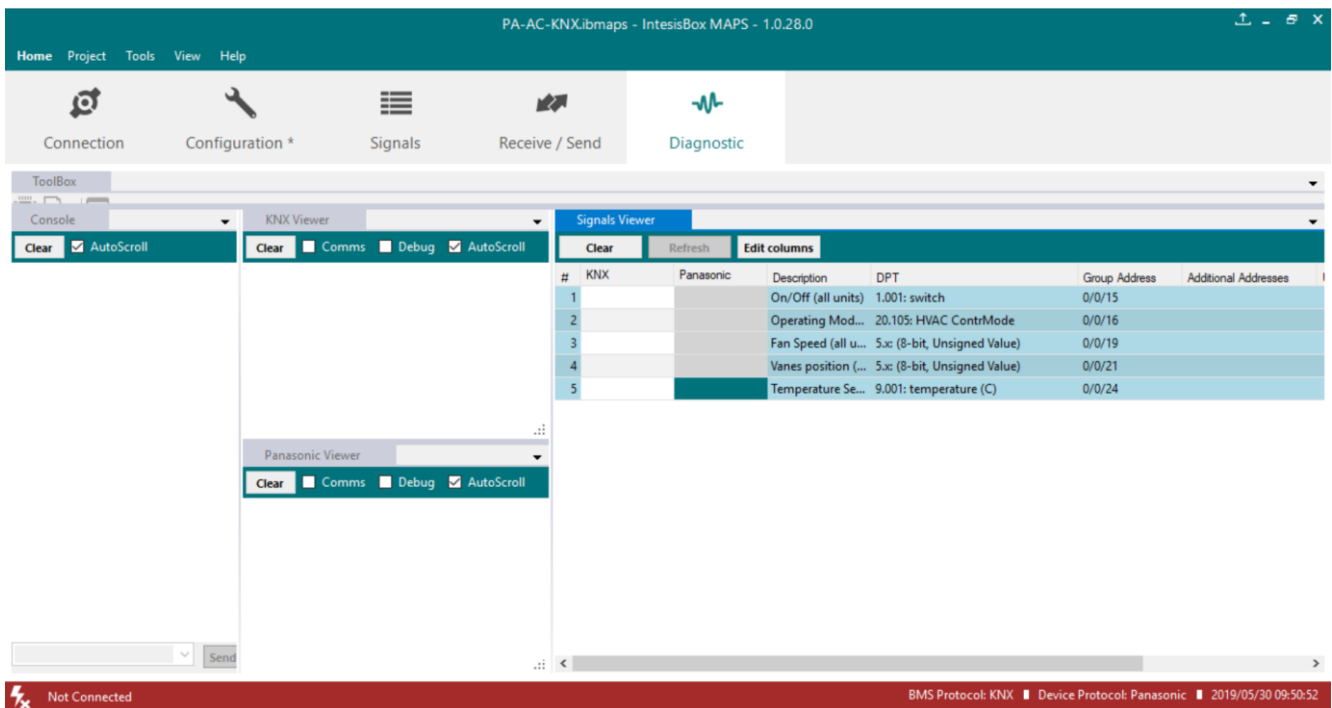


Figure 4.9 Diagnostic

More information about the Diagnostic section can be found in the Configuration Tool manual.

4.2.9 Set-up procedure

1. Install Intesis MAPS on your laptop, use the setup program supplied for this and follow the instructions given by the Installation wizard.
2. Install Intesis in the desired installation site. Installation can be on DIN rail or on a stable not vibrating surface (DIN rail mounted inside a metallic industrial cabinet connected to ground is recommended).

Connect the KNX communication cable coming from the KNX network to the port marked as Port A on Intesis (More details in [3 CONNECTIONS](#)).

3. Connect the communication cable coming from the Panasonic VRF installation to the port marked as Port B of Intesis (More details in [3 CONNECTIONS](#)).
4. Power up Intesis. The supply voltage can be 9 to 36 Vdc or just 24 Vac. Take care of the polarity of the supply voltage applied.

WARNING! To avoid earth loops that can damage Intesis and/or any other equipment connected to it, we strongly recommend:

- The use of DC power supplies, floating or with the negative terminal connected to earth. **Never use a DC power supply with the positive terminal connected to earth.**
 - The use of AC power supplies only if they are floating and not powering any other device.
5. If you want to connect using IP, connect the Ethernet cable from the laptop PC to the port marked as Ethernet of Intesis (More details in [3 CONNECTIONS](#)).

If you want to connect using USB, connect the USB cable from the laptop PC to the port marked as Console of Intesis (More details in [3 CONNECTIONS](#)).

6. Open Intesis MAPS, create a new project selecting a copy of the one named **INKNXPAN---O000**.
7. Modify the configuration as desired, save it and download the configuration file to Intesis as explained in the Intesis MAPS user manual.
8. Visit the Diagnostic section and check that there is communication activity, some TX frames and some other RX frames. This means that the communication with the KNX installation and Panasonic installation is OK. In case there is no communication activity between Intesis and the KNX side and/or Panasonic units, check that those are operative: check communication cable used to connect all devices and any other communication parameter.

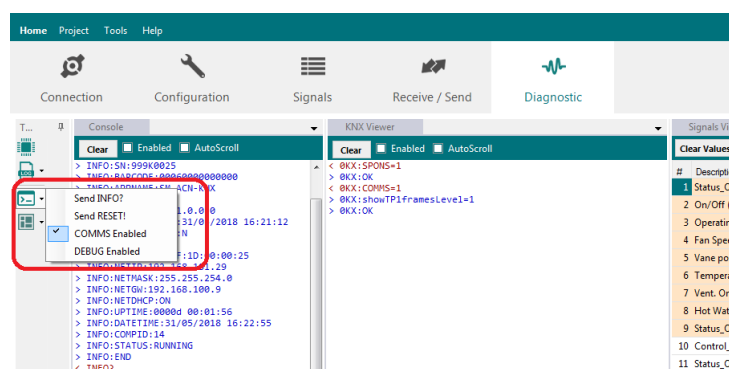


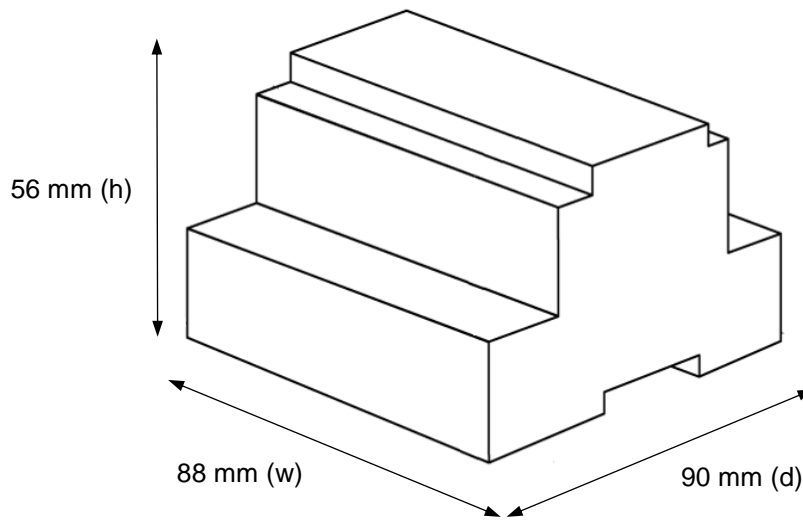
Figure 4.50 Enable COMMS

5 Electrical & Mechanical Features

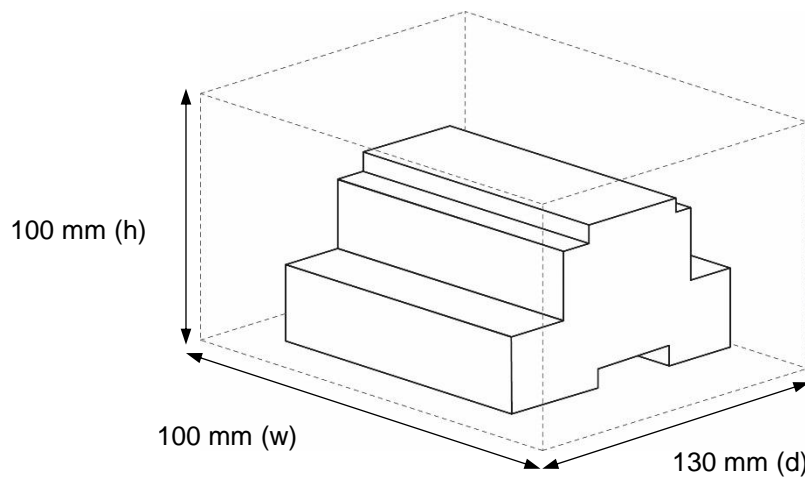


Enclosure	Plastic, type PC (UL 94 V-0) Net dimensions (d×w×h): 90x88x56 mm Recommended space for installation (d×w×h): 130x100x100mm Color: Light Grey. RAL 7035	Battery	Size: Coin 20mm x 3.2mm Capacity: 3V / 225mAh Type: Manganese Dioxide Lithium
Mounting	Wall. DIN rail EN60715 TH35.	Console Port	Mini Type-B USB 2.0 compliant 1500VDC isolation
Terminal Wiring (for power supply and low-voltage signals)	Per terminal: solid wires or stranded wires (twisted or with ferrule) 1 core: 0.5mm ² ... 2.5mm ² 2 cores: 0.5mm ² ... 1.5mm ² 3 cores: not permitted	USB port	Type-A USB 2.0 compliant Only for USB flash storage device (USB pen drive) Power consumption limited to 150mA (HDD connection not allowed)
Power	1 x Plug-in screw terminal block (3 poles) 9 to 36VDC +/-10%, Max.: 140mA. 24VAC +/-10% 50-60Hz, Max.: 127mA Recommended: 24VDC	Push Button	Button A: Check the user manual Button B: Check the user manual
Ethernet	1 x Ethernet 10/100 Mbps RJ45 2 x Ethernet LED: port link and activity	Operation Temperature	0°C to +60°C
Port A	1 x KNX TP-1 Plug-in screw terminal block orange (2 poles) 2500VDC isolation from other ports KNX power consumption: 5mA Voltage rating: 29VDC 1 x Plug-in screw terminal block green (2 poles) Reserved for future use	Operational Humidity	5 to 95%, no condensation
Switch A (SWA)	1 x DIP-Switch for PORT A configuration: Reserved for future use	Protection	IP20 (IEC60529)
PORT B	1 x Serial EIA232 (SUB-D9 male connector) Reserved for future use 1 x Panasonic Plug-in screw terminal block (3 poles) 1500VDC isolation from other ports	LED Indicators	10 x Onboard LED indicators 2 x Run (Power)/Error 2 x Ethernet Link/Speed 2 x Port A TX/RX 2 x Port B TX/RX 1 x Button A indicator 1 x Button B indicator
Switch B (SWB)	1 x DIP-Switch for PORT B configuration: Reserved for future use (leave OFF, default)		

6 Dimensions



Recommended available space for its installation into a cabinet (wall or DIN rail mounting), with space enough for external connections



7 AC Unit Types compatibility

The gateway is compatible with Panasonic VRF units belonging to ECOi, ECOg and PACi series.

8 Error codes for Indoor and Outdoor Units

Below you can find a list of error codes from Panasonic air conditioning system.

Error Code	Error in Control Panel	Error category	Error Description
0	N/A	Intesis	No active error
1	A01	GHP Engine Issues	GHP - Engine oil pressure fault
2	A02		GHP - Engine oil level fault
3	A03		GHP - Engine over speed
4	A04		GHP - Engine under speed
5	A05		GHP - Ignition power supply failure
6	A06		GHP - Engine start up failure
7	A07		GHP - Fuel gas valve failure
8	A08		GHP - Engine stalled
9	A09		GHP - Engine overload
10	A10		GHP - High exhaust gas temp
11	A11		GHP - Engine oil level failure
12	A12		GHP - Throttle actuator fault
13	A13		GHP - Fuel gas valve adjustment failure
14	A14		GHP - Engine oil pressure sensor fault
15	A15		GHP - Starter power output short circuit
16	A16		GHP - Starter motor locked
17	A17		GHP - Starter current (CT) coil failed
19	A19		GHP - Wax Valve (3 Way) fault
20	A20		GHP - Cooling water temp high
21	A21		GHP - Cooling water level fault
22	A22		GHP - Cooling water pump fault
23	A23		GHP - Engine crank angle sensor failure
24	A24		GHP - Engine cam angle sensor failure
25	A25		GHP - Clutch fault
26	A26		GHP - Misfire
27	A27		GHP - Catalyst temperature fault
28	A28		GHP - Generator fault
29	A29		GHP - Converter fault
30	A30		GHP - Fuel gas pressure low
33	C01		Central Controller Issues
34	C02	Central control number of units mis-matched	
35	C03	Incorrect wiring of central control	
36	C04	Incorrect connection of central control	
37	C05	System Controller fault, error in transmitting comms signal, i/door or o/door unit not working, wiring fault	
38	C06	System Controller fault, error in receiving comms signal, i/door or o/door unit not working, wiring fault, CN1 not connected correctly	
44	C12	Batch alarm by local controller	
48	C16	Transmission error from adaptor to unit	
49	C17	Reception error to adaptor from unit	
50	C18	Duplicate central address in adaptor	
51	C19	Duplicate adaptor address	
52	C20	Mix of PAC & GHP type units on adaptor	
53	C21	Memory fault in adaptor	
54	C22	Incorrect address setting in adaptor	
55	C23	Host terminal software failure	
56	C24	Host terminal hardware failure	
57	C25	Host terminal processing failure	
58	C26	Host terminal communication failure	
60	C28	Reception error of S-DDC from host terminal	
61	C29	Initialization failure of S-DDC	

Error Code	Error in Control Panel	Error category	Error Description
63	C31		Configuration change detected by adaptor
65	E01	Addressing and Communication Problems	Remote control detecting error from indoor unit, Address not set/Auto address failed. Check interconnecting wiring etc. Re-address system.
66	E02		Remote detecting error from indoor unit,
67	E03		Indoor unit detecting error from remote,
68	E04		Indoor seeing error from outdoor. Qty of i/d units connected are less than qty set. Check; all i/d units are ON, reset turn off all units wait 5min power up
69	E05		Indoor unit detecting error from outdoor unit, Error in sending comms signal
70	E06		Outdoor unit detecting error from indoor unit, Error in receiving comms signal
71	E07		Outdoor unit detecting error from indoor unit, Error in sending comms signal
72	E08		Incorrect setting indoor/controller, Indoor address duplicated
73	E09		Incorrect setting indoor/controller, Remote address duplicated, or IR wireless controller not disabled
74	E10		Indoor unit detecting error from 'option' plug, Error in sending comms signal
75	E11		Indoor unit detecting error from 'option' plug, Error in receiving comms signal
76	E12		Auto addressing failed, Auto address connector CN100 shorted during auto addressing
77	E13		Indoor unit failed to send signal to remote controller
78	E14		Setting Failure, Duplication of master indoor units
79	E15		Auto addressing failed, Number of indoor units connected are less than number set
80	E16		Auto addressing failed, Number of indoor units connected are more than number set
81	E17		Group control wiring error, Main indoor unit not sending signal for sub indoor units
82	E18		Group control wiring error, Main indoor unit not receiving signal for sub indoor units
84	E20		Auto addressing failed, no indoor units connected
88	E24		Auto addressing failed, Error on sub outdoor unit
89	E25	Auto addressing failed, Error on outdoor unit address setting	
90	E26	Auto addressing failed, Quantity of main and sub outdoor units do not correspond to the number set on main outdoor unit P.C.B.	
93	E29	Auto addressing failed, sub outdoor unit not receiving comms for main outdoor unit	
95	E31	Between units, Comms failure with MDC, does E31 remain after power is re-instated? If so replace PCB. & power PCB	
97	F01	Sensor Faults	Indoor Heat Exch inlet temp sensor failure (E1)
98	F02		Indoor Heat Exch freeze temp sensor failure (E2)
99	F03		Indoor Heat Exch outlet temp sensor failure (E3)
100	F04		Outdoor Discharge temp sensor failure (TD) or (DISCH1)
101	F05		Outdoor Discharge temp sensor failure (DISCH2)
102	F06		Outdoor Heat Exch temp sensor failure (C1) or (EXG1)
103	F07		Outdoor Heat Exch temp sensor failure (C2) or (EXL1)
104	F08		Outdoor Air temp sensor failure (TO)
106	F10		Indoor inlet temp sensor failure
107	F11		Indoor outlet temp sensor failure
108	F12		Outdoor Intake sensor failure (TS)
109	F13		GHP - Cooling water temperature sensor failure
112	F16		Outdoor High-pressure sensor failure
113	F17		GHP - Cooling water temperature sensor fault
114	F18		GHP - Exhaust gas temperature sensor fault

Error Code	Error in Control Panel	Error category	Error Description	
116	F20		GHP Clutch coil temperature fault	
119	F23		Outdoor Heat Exch temp sensor failure (EXG2)	
120	F24		Outdoor Heat Exch temp sensor failure (EXL2)	
125	F29		Indoor EEPROM error	
126	F30		Clock Function (RTC) fault	
127	F31		Outdoor EEPROM error	
129	H01		Compressor Issues	Compressor Fault, Over current (Comp1)
130	H02	Compressor Fault, Locked rota current detected (Comp1)		
131	H03	Compressor Fault, No current detected (Comp1)		
133	H05	Compressor Fault, Discharge temp not detected (Comp1)		
134	H06	Compressor Fault, Low Pressure trip		
135	H07	Compressor Fault, Low oil level		
136	H08	Compressor Fault, Oil sensor Fault (Comp1)		
139	H11	Compressor Fault, Over current (Comp2)		
140	H12	Compressor Fault, Locked rota current detected (Comp2)		
141	H13	Compressor Fault, No current detected (Comp2)		
143	H15	Compressor Fault, Discharge temp not detected (Comp2)		
149	H21	Compressor Fault, Over current (Comp3)		
150	H22	Compressor Fault, Locked rota current detected (Comp3)		
151	H23	Compressor Fault, No current detected (Comp3)		
153	H25	Compressor Fault, Discharge temp not detected (Comp3)		
155	H27	Compressor Fault, Oil sensor fault (Comp2)		
156	H28	Compressor Fault. Oil sensor (connection failure)		
159	H31	Compressor Fault. IPM trip (IMP current on temperature)		
193	L01	Incorrect Settings		Setting Error, Indoor unit group setting error
194	L02			Setting Error, Indoor/outdoor unit type/model miss-matched
195	L03		Duplication of main indoor unit address in group control	
196	L04		Duplication of outdoor unit system address	
197	L05		2 or more controllers have been set as 'priority' in one system - shown on controllers set as 'priority'	
198	L06		2 or more controllers have been set as 'priority' in one system - shown on controllers not set as 'priority'	
199	L07		Group wiring connected on and individual indoor unit	
200	L08		Indoor unit address/group not set	
201	L09		Indoor unit capacity code not set	
202	L10		Outdoor unit capacity code not set	
203	L11		Group control wiring incorrect	
205	L13		Indoor unit type setting error, capacity	
207	L15		Indoor unit paring fault	
208	L16		Water heat exch unit setting failure	
209	L17		Miss-match of outdoor unit with different refrigerant	
210	L18	4-way valve failure		
211	L19	Water heat exch unit duplicated address		
213	L21	Gas type setup failure		
225	P01	Indoor Unit Problems	Indoor unit fault, Fan motor thermal overload	
226	P02		Outdoor unit fault, Compressor motor thermal overload, over or under voltage	
227	P03		Outdoor unit fault, Compressor discharge temperature too high (Comp1) over 111 °C. Low on ref gas, exp valve, pipework damage.	
228	P04		Outdoor unit fault, High pressure trip	
229	P05		Outdoor unit fault, Open phase on power supply. Check power on each phase, inverter pcb, control pcb	
233	P09		Indoor unit fault, Ceiling panel incorrectly wired	
234	P10		Indoor unit fault, Condensate float switch opened	
235	P11		GHP - Water Heat exch low temp (frost protection) fault	
236	P12		Indoor unit fault, Fan DC motor fault	

Error Code	Error in Control Panel	Error category	Error Description
238	P14		Input from leak detector (If fitted)
239	P15		Refrigerant loss, high discharge temp and EEV wide open and low compressor current draw.
240	P16		Outdoor unit fault, Open phase on compressor power supply
241	P17		Outdoor unit fault, Compressor discharge temperature too high (Comp2) over 111 degC. Low on ref gas, exp valve, pipework damage.
242	P18		Outdoor unit fault, By-pass valve failure
243	P19		Outdoor unit fault, 4 way valve failure, i/door temp rises in cooling or fills in heating. Check wiring, coil, pcb output, valve operation.
244	P20		Ref gas, high temp/pressure fault, heat exch temp high C2, 55-60 degC, cooling over-load, sensor fault.
246	P22		Outdoor unit fan motor fault, fan blade jammed, check connections, does fan turn freely, motor resistance 30-40ohm on each pair, no fan fault, yes pcb fault.
250	P26		Outdoor unit fault, Compressor overcurrent - check winding resistance, Inverter failure - check internal resistance term HIC + & - to UVW 200-300Kohm or more
252	P29		Outdoor unit fault, Inverter circuit fault - Motor-current Detection Circuit (MDC) fault, check comp windings, sensors C1 & TS, if ok possible pcb failure.
253	P30		Indoor unit fault, System controller detected fault on sub indoor unit
255	P31		Simultaneous operation multi control fault, Group controller fault
256	N/A		Intesis
257	N/A	Indoor Unit doesn't exist	
258	N/A	Scan in process	

9 Appendix A – Communication Objects Table

TOPIC		NAME	LENGTH	DATAPOINT TYPE		FLAGS				FUNCTION
				DPT_NAME	DPT	R	W	T	U	
GLOBAL SIGNALS	ON/OFF	On/Off (all units)	1 bit	DPT_Switch	1.001		W			0-Off, 1-On
	Operating mode	Operating Mode (all units)	1 byte	DPT_HVACContrMode	20.105		W			0-Auto, 1-Heat, 3-Cool, 9-Fan, 14-Dry
			1 byte (unsigned)	Non-standarized	5.x		W			0-Auto, 1-Heat, 2-Dry, 3-Fan, 4-Cool
			1 byte (unsigned)	Non-standarized	5.x		W			0-Cool, 1-Heat, 2-Fan, 3-Dry, 4-Auto
		Fan Speed (all units)	1 byte (unsigned)	Non-standarized	5.x		W			1-Quiet, 2-Low, 3-Med-Low, 4-Med-High, 5-High
		Fan speed AUTO (all units)	1 bit	DPT_Switch	1.001		W			0-Stop auto fan, 1-Set auto fan
	Vanes position	Vanes position (all units)	1 byte (unsigned)	Non-standarized	5.x		W			1-Position 1, 2-Position 2, 3-Position 3, 4-Position 4, 5-Position 5
		Vanes position Swing (all units)	1 bit	DPT_Switch	1.001		W			0-Stop swing vanes, 1-Set swig vanes
	Temperature Setpoint.	Temperature Setpoint (°C) (all units)	2 bytes	DPT_Value_Temp	9.001		W			°C
	OUTDOOR UNIT SIGNALS	Error OU	Status_Communication Error OU	1 bit	DPT_Alarm	1.005	R		T	
Demand Limit. Ratio		Status_Demand Limit. Ratio	1 byte	DPT_Percent_U8	5.004	R		T		0...200 % (255-No limit)
Pressure sensor		Status_High Pressure Sensor	1 bit	DPT_Pressure (Pa)	14.058	R		T		Pa
		Status_Low Pressure Sensor	1 bit	DPT_Pressure (Pa)	14.058	R		T		Pa
Compressor operation time		Status_Compressor 1 operation time	2 bytes	DPT_time (h)	7.007	R		T		0...16777215 hours
		Status_Compressor 2 operation time	2 bytes	DPT_time (h)	7.007	R		T		0...16777215 hours
	Status_Compressor 3 operation time	2 bytes	DPT_time (h)	7.007	R		T		0...16777215 hours	
INDIVIDUAL SIGNALS	ON / OFF	Control_On/Off	1 bit	DPT_Switch	1.001		W			0-Off,1-On
		Status_On/Off	1 bit	DPT_Switch	1.001	R		T		0-Off,1-On
	Operating mode	Control_Operation mode	1 byte	DPT_HVACContrMode	20.105		W			0-Auto, 1-Heat, 3-Cool, 9-Fan, 14-Dry
		Status_Operation mode	1 byte	DPT_HVACContrMode	20.105	R		T		0-Auto, 1-Heat, 3-Cool, 9-Fan, 14-Dry
		Control_Operation mode	1 byte (unsigned)	Non-standarized	5.x		W			0-Auto, 1-Heat, 2-Dry, 3-Fan, 4-Cool
		Status_Operation mode	1 byte (unsigned)	Non-standarized	5.x	R		T		0-Auto, 1-Heat, 2-Dry, 3-Fan, 4-Cool

		Control _Operation mode	1 byte (unsigned)	Non-standarized	5.x		W		0-Cool, 1-Heat, 2-Fan, 3-Dry, 4-Auto
		Status _Operation mode	1 byte (unsigned)	Non-standarized	5.x	R		T	0-Cool, 1-Heat, 2-Fan, 3-Dry, 4-Auto, 5-AutoHeat, 6-AutoCool
		Control _Mode Cool/Heat	1 bit	DPT_Heat/Cool	1.100		W		0-Cool, 1-Heat
		Status _Mode Cool/Heat	1 bit	DPT_Heat/Cool	1.100	R		T	0-Cool, 1-Heat
		Control _Heat mode&ON	1 byte	DPT_Scaling	5.001		W		0%-Off, 1%-100%-On+Heat
		Control _Cool mode&ON	1 byte	DPT_Scaling	5.001		W		0%-Off, 1%-100%-On+Cool
		Control _Auto mode	1 bit	DPT_Switch	1.001		W		1-Set auto mode
		Status _Auto mode	1 bit	DPT_Switch	1.001	R		T	1-Auto mode active, 0-Auto mode not active
		Control _Heat mode	1 bit	DPT_Switch	1.001		W		1-Set heat mode
		Status _Heat mode	1 bit	DPT_Switch	1.001	R		T	1-Heat mode active, 0-Heat mode not active
		Control _Cool mode	1 bit	DPT_Switch	1.001		W		1-Set cool mode
		Status _Cool mode	1 bit	DPT_Switch	1.001	R		T	1-Cool mode active, 0-Cool mode not active
		Control _Fan mode	1 bit	DPT_Switch	1.001		W		1-Set fan mode
		Status _Fan mode	1 bit	DPT_Switch	1.001	R		T	1-Fan mode active, 0-Fan mode not active
		Control _Dry mode	1 bit	DPT_Switch	1.001		W		1-Set dry mode
		Status _Dry mode	1 bit	DPT_Switch	1.001	R		T	1-Dry mode active, 0-Dry mode not active
Fan speed		Control_Fan speed enumerated	1 byte (unsigned)	Non-standarized	5.x		W		1-Low, 2-Med, 3-High
		Status _Fan speed enumerated	1 byte (unsigned)	Non-standarized	5.x	R		T	1-Low, 2-Low+, 3-Med, 4-Med+, 5-High
		Control _Fan speed scaling	1 byte	DPT_Scaling	5.001		W		Thersholds (0%..49%; 50%..82%; 83%..100%)
		Status _Fan speed scaling	1 byte	DPT_Scaling	5.001	R		T	Thersholds (20%; 40%, 60%; 80%; 100%)
		Control_ Fan speed low	1 bit	DPT_Switch	1.001		W		1-Set fan speed low
		Status_Fan speed low	1 bit	DPT_Switch	1.001	R		T	1-Speed low active, 0-Speed low not active
		Control_ Fan speed low+	1 bit	DPT_Switch	1.001		W		1-Set fan speed low+
		Status_Fan speed low+	1 bit	DPT_Switch	1.001	R		T	1-Speed low+ active, 0-Speed low+ not active
		Control_Fan speed med	1 bit	DPT_Switch	1.001		W		1-Set fan speed med
		Status_Fan speed med	1 bit	DPT_Switch	1.001	R		T	1-Speed med active, 0-Speed med not active
Control_Fan speed med+	1 bit	DPT_Switch	1.001		W		1-Set fan speed med+		

		Status_Fan speed med+	1 bit	DPT_Switch	1.001	R	T	1-Speed med+ active, 0-Speed med+ not active
		Control_Fan speed high	1 bit	DPT_Switch	1.001		W	1-Set fan speed high
		Status_Fan speed high	1 bit	DPT_Switch	1.001	R	T	1-Speed high active, 0-Speed high not active
		Control_Fan speed Man/Auto	1 bit	DPT_Switch	1.001		W	0-Manual; 1-Auto
		Status_Fan speed Man/Auto	1 bit	DPT_Switch	1.001	R	T	0-Manual; 1-Auto
	Vanes position	Control_Vanes enumerated	1 byte (unsigned)	Non-standarized	5.x		W	1-Position 1..5-Position 5
		Status_Vanes enumerated	1 byte (unsigned)	Non-standarized	5.x	R	T	1-Position 1..5-Position 5
		Control_Vanes scaling	1 byte	DPT_Scaling	5.001		W	Thersholds (0%..29%; 30%..49%; 50%..69%; 70%..89%, 90%..100%)
		Status_Vanes scaling	1 byte	DPT_Scaling	5.001	R	T	Thersholds (20%; 40%; 60%; 80%;100%)
		Control_Vanes pos-1	1 bit	DPT_Switch	1.001	R	T	1-Set position-1 vanes
		Status_Vanes pos-1	1 bit	DPT_Switch	1.001		W	1-Vane position-1 active, 0-Vane position-1 not active
		Control_Vanes pos-2	1 bit	DPT_Switch	1.001	R	T	1-Set position-2 vanes
		Status_Vanes pos-2	1 bit	DPT_Switch	1.001		W	1-Vane position-2 active, 0-Vane position-2 not active
		Control_Vanes pos-3	1 bit	DPT_Switch	1.001	R	T	1-Set position-3 vanes
		Status_Vanes pos-3	1 bit	DPT_Switch	1.001		W	1-Vane position-3 active, 0-Vane position-3 not active
		Control_Vanes pos-4	1 bit	DPT_Switch	1.001	R	T	1-Set position-4 vanes
		Status_Vanes pos-4	1 bit	DPT_Switch	1.001		W	1-Vane position-4 active, 0-Vane position-4 not active
		Control_Vanes pos-5	1 bit	DPT_Switch	1.001	R	T	1-Set position-5 vanes
		Status_Vanes pos-5	1 bit	DPT_Switch	1.001		W	1-Vane position-5 active, 0-Vane position-5 not active
		Control_Vanes swing	1 bit	DPT_Switch	1.001	R	T	0-Stop swing vanes; 1-Set Swing on
Status_Vanes swing	1 bit	DPT_Switch	1.001		W	0-Vanes swing not active; 1-Vanes swing active		
Temperature	Control_Temperature Setpoint (°C)	2 bytes	DPT_Value_Temp	9.001		W	°C	
	Status_Temperature Setpoint (°C)	2 bytes	DPT_Value_Temp	9.001	R	T	°C	
	Status_AC Ambient Temperature (°C)	2 bytes	DPT_Value_Temp	9.001	R	T	-35...92.5 °C	
	Control_KNX ambient Temperature (°C)	2 bytes	DPT_Value_Temp	9.001		W	°C	
AC settings	Control_Wired remote controller	1 bit	DPT_Switch	1.001		W	0-Body sensor, 1-remote control sensor	
	Status_Wired remote controller	1 bit	DPT_Switch	1.001	R	T	0-Body sensor, 1-remote control sensor	