

# Modbus Server

Mitsubishi Heavy Industries Air Conditioning  
Gateway for integration of Mitsubishi Heavy Industries air conditioning systems  
into Modbus (RTU and TCP) systems

## USER MANUAL

Issue date: 05/2012 r1.0 ENGLISH



## Important User Information

### Disclaimer

The information in this document is for informational purposes only. Please inform HMS Industrial Networks of any inaccuracies or omissions found in this document. HMS Industrial Networks disclaims any responsibility or liability for any errors that may appear in this document.

HMS Industrial Networks reserves the right to modify its products in line with its policy of continuous product development. The information in this document shall therefore not be construed as a commitment on the part of HMS Industrial Networks and is subject to change without notice. HMS Industrial Networks makes no commitment to update or keep current the information in this document.

The data, examples and illustrations found in this document are included for illustrative purposes and are only intended to help improve understanding of the functionality and handling of the product. In view of the wide range of possible applications of the product, and because of the many variables and requirements associated with any particular implementation, HMS Industrial Networks cannot assume responsibility or liability for actual use based on the data, examples or illustrations included in this document nor for any damages incurred during installation of the product. Those responsible for the use of the product must acquire sufficient knowledge in order to ensure that the product is used correctly in their specific application and that the application meets all performance and safety requirements including any applicable laws, regulations, codes and standards. Further, HMS Industrial Networks will under no circumstances assume liability or responsibility for any problems that may arise as a result from the use of undocumented features or functional side effects found outside the documented scope of the product. The effects caused by any direct or indirect use of such aspects of the product are undefined and may include e.g. compatibility issues and stability issues.

Gateway for integration of Mitsubishi Heavy Industries air conditioning systems into Modbus (RTU and TCP) systems.

<b>ORDER CODE</b>	<b>LEGACY ORDER CODE</b>
INMBSMHI0480000	MH-AC-MBS-48
INMBSMHI1280000	MH-AC-MBS-128

## Index

1.	Description .....	5
1.1	Introduction .....	5
1.2	Integration signals .....	5
1.3	Functionality .....	6
1.4	Capacity of Intesis™ .....	7
2.	Modbus interface of Intesis™ .....	8
2.1	Description .....	8
2.2	Functions supported .....	8
2.3	Modbus RTU .....	8
2.4	Modbus TCP .....	8
2.5	Address Map .....	8
2.5.1	Modbus addresses related to Intesis™ .....	9
2.5.2	Modbus addresses related to each Indoor Unit .....	9
2.5.3	Modbus addresses related to ALL indoor units .....	10
3.	Intesis™ Device Connections .....	11
3.1	Connect to Mitsubishi Heavy Industries Interface .....	12
3.2	Connect to Modbus Interface .....	12
3.2.1	Connect to Modbus RTU .....	12
3.2.2	Connect to Modbus TCP .....	13
3.2.3	Connect to PC (LinkBoxMB) .....	14
3.3	Power Device .....	14
4.	LinkBoxMB. Configuration & monitoring tool for Intesis™ Modbus Server series .....	15
4.1	Introduction .....	15
4.2	Connections configuration .....	15
4.2.1	Configuration tab .....	15
4.2.2	Modbus map tab .....	17
4.3	Sending the configuration to Intesis™ .....	18
4.4	Signals viewer .....	19
4.5	Files .....	20
5.	Setup process and troubleshooting .....	21
5.1	Pre-requisites .....	21
5.2	Setup procedure .....	21
5.3	Troubleshooting .....	22
5.3.1	Physical checking .....	22
5.3.2	Software checking .....	22
6.	Functional characteristics summary .....	23
7.	Mechanical & Electrical characteristics .....	24
8.	AC Unit Types compatibility .....	25
9.	Error codes .....	26

## 1. Description

### 1.1 Introduction

*Intesis™ Modbus Server – Mitsubishi Heavy Industries AC* is a communication gateway for Mitsubishi Heavy Industries air conditioning (AC) systems to Modbus slave (RTU and TCP).

This gateway allows integrating a Mitsubishi Heavy Industries AC system inside a supervision/control/automation system through PLC, SCADA and, in general, through any device or system with Modbus mastering (TCP or RTU) interface.

The aim of this integration is to make accessible several Mitsubishi Heavy Industries air conditioning indoor units communicating with the Superlink protocol as if they were part of a Modbus system. Therefore, the *Intesis™ Modbus Server* acts as a Modbus slave in the Modbus interface, allowing the Modbus master read and write in the Modbus registers. Moreover, *Intesis™* includes all hardware required to manage/control Mitsubishi Heavy Industries indoor units without extra components needed.

### 1.2 Integration signals

Following is the list of parameters that can be monitored/controlled on the indoor units using *Intesis™*:

- For **each indoor unit** in the system:
  - Communication Status (read-only)
  - On/Off (R/W)
  - Operation Mode (R/W)
  - SetPoint Temperature (R/W)
  - Fan Speed (R/W)
  - Remote Controller Lock/Unlock (R/W)
  - Louver Control (R/W)
  - Room Temperature (read-only)
  - Filter Sign Status (read-only)
  - Error Code (read-only)
  - Compressor Status (read-only)
  - Filter Sign Reset (write-only)
  - Remote Controller Error Reset (write-only)
  - Thermo On/Off Status (read-only)

Apart from these, the *Intesis™* also implements some extra signals (functions):

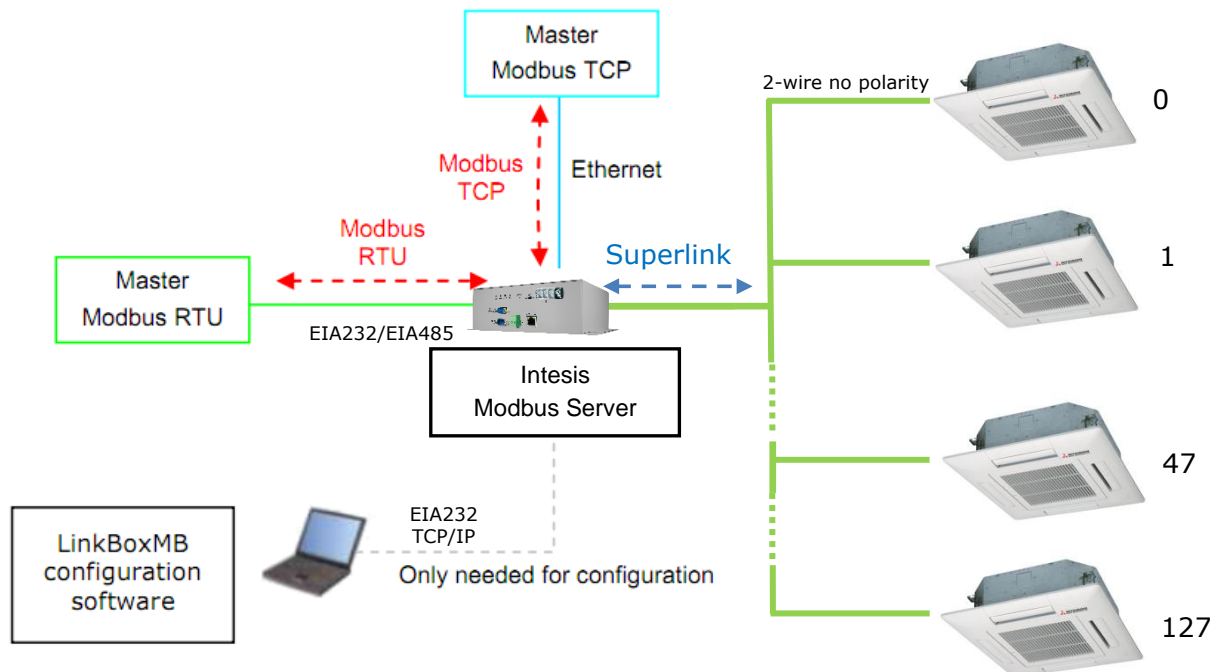
- For **all indoor units<sup>1</sup>** in the system:
  - HW Communication Status (read-only)
  - On/Off (write-only)
  - Operation Mode (write-only)
  - SetPoint Temperature (write-only)
  - Fan Speed (write-only)
  - Remote Controller Lock/Unlock (write-only)

---

<sup>1</sup> These signals work as master signals controlling all connected units at the same time

### 1.3 Functionality

Each of the mentioned signals in section 1.2 is associated to a predefined and fixed Modbus address. Therefore, all the system is seen as a single Modbus slave unit with a fixed Modbus address map from the Modbus system point of view.



**Figure 1.1** Integration of Mitsubishi Heavy Industries AC into Modbus system using Intesis™

Two Modbus mode connection types can be active in Intesis™: Modbus RTU or Modbus TCP, or both simultaneously.

Intesis™ continuously polls all signals provided by each indoor unit and maintains the updated values to be served in Modbus.

In the continuous polling of each indoor unit, if no response of a certain device is detected, the corresponding virtual signal inside the gateway will be activated indicating communication error between the gateway and that precise device (see 0).

When a *write* order is done from Modbus in a gateway's write-enabled Modbus address, the corresponding order is sent to the associated Mitsubishi Heavy Industries signal (Superlink).

Each Mitsubishi Heavy Industries Indoor Unit has a unique address (0 to 127). These addresses need to be configured inside Intesis™ using the LinkBoxMB tool (see 4.2.2).

Intesis™ is capable of managing up to two simultaneous Modbus master connections.

Intesis™ includes all hardware needed to connect directly with the Mitsubishi Heavy Industries indoor units connecting with Superlink network.

## 1.4 Capacity of Intesis™

Element	Max.	Notes
Number of indoor units	128 *	Maximum number of AC indoor units that can be controlled
Number of points per indoor unit	14	Modbus addresses per indoor unit
Maximum number of points	1797*	Valid Modbus addresses
Maximum TCP master connections	2	Maximum number of TCP simultaneous Modbus Master connections
Maximum RTU master connections	1	Maximum number of RTU simultaneous Modbus Master connections

**Table 1.1** Intesis™ capacity

\* There are two different models of *Intesis™ Modbus Server – Mitsubishi Heavy Industries AC* each one with different capacity. The table above shows the capacity for the top model (with maximum capacity).

Their order codes are:

- INMBSMHI0480000:
  - Model supporting up to 48 indoor units
  - For Superlink-I (Previous Superlink) or Superlink-II (New Superlink).
  - Indoor Unit actual address range is 00 to 47
- INMBSMHI1280000:
  - Model supporting up to 128 indoor units
  - For Superlink-II (New Superlink)
  - Indoor Unit actual address range is 000 to 127

Check available combination of Mitsubishi Heavy Industries Central Control and BMS interface units in the next tables.

In the case of SL2NA or SL3NA, it is necessary to erase registration of non-connected indoor unit. For SL2NA and SL3NA, change is required for the setup deprived of the rights of instruction of Remocon control Lock/Unlock.

### New Superlink connections:

INMBSMHI1280000 INKNXMHI1280000	SC-LGWNA-A SC-BGWNA-A/B etc.	SC-SL3NA-AE/BE etc.	SC-SL2NA-E etc.	SC-SL1N-E etc.	Max Indoor Units	Address No.
1	Non connect	2	0	0-8	128	000-127
		1	0-2			
		0	0-4			

INMBSMHI0480000 INKNXMHI0480000	SC-LGWNA-A SC-BGWNA-A/B etc.	SC-SL3NA-AE/BE etc.	SC-SL2NA-E etc.	SC-SL1N-E etc.	Max Indoor Units	Address No.
1	Non connect	2	0	0-8	48	00-47
		1	0-2			
		0	0-4			

### Previous Superlink connections:

INMBSMHI---0000 INKNXMHI---0000	SC-LGWNA-A SC-BGWNA-A/B etc.	SC-SL3NA-AE/BE etc.	SC-SL2NA-E etc.	SC-SL1N-E etc.	Max Indoor Units	Address No.
1	Non connect	Non connect	1	0	32	00-47
			0	1,2		
			0	0	48	

## 2. Modbus interface of Intesis™

### 2.1 Description

Intesis™ acts as a slave device in the Modbus interface. The physical interface can be either Ethernet, if using Modbus TCP, or the EIA485 (or EIA232), if using Modbus RTU.

### 2.2 Functions supported

This part is common for Modbus RTU and TCP:

- Modbus functions 03 and 04 (*read holding registers* and *read input registers*) can be used to read Modbus registers.
- Modbus function 06 (*Single Multiple Holding Registers*) must be used to write Modbus registers.
- As per Modbus standard specification, register contents are always expressed in MSB..LSB (Bid Endian).
- Modbus error codes are fully supported, they will be sent whenever a non-valid Modbus action or address is required (see section 9).

### 2.3 Modbus RTU

Baud rate can be selected from 1200, 2400, 4800, 9600, 19200 and 38400.

Information structure:

- Data Bits: 8
- Parity Bit: Selectable from *non*, *even*, *odd* or *second stop bit (2stop)*.
- Stop Bit: 1

Modbus slave number can be configured.

Physical connection (EIA232 or EIA485) can also be selected.

Only the lines RX, TX and GND of the EIA232 connector are used (TX and RX for EIA485).

### 2.4 Modbus TCP

The TCP port to use can be configured (by default 502 is used).

The IP address, subnet mask and default gateway address to use by Intesis™ can be also configured.

### 2.5 Address Map

Address map is fixed for each indoor unit and can be consulted as explained in the following tables. Please, remember that in the tables **R/W** stands for *Read* and *Write*, **R** stands for *Read Only* and **W** stands for *Write Only*.



2.5.1 Modbus addresses related to Intesis™

Modbus address (base addr is 1)	Modbus register type (R/W)	Signal description and values
2995	R	Hw Communication Status <ul style="list-style-type: none"> <li>• 0: No Hardware Communication Error</li> <li>• 1: Hardware Communication Error</li> </ul>

2.5.2 Modbus addresses related to each Indoor Unit<sup>1</sup>

Indoor unit number	Modbus address (base addr is 1)	Modbus register type (R/W)	Signal description and values
0	1	R	Communication Status <ul style="list-style-type: none"> <li>▪ 0: Communication OK</li> <li>▪ 1: Communication ERROR</li> </ul>
	2	R/W	Indoor Unit On/Off <ul style="list-style-type: none"> <li>▪ 0: Off</li> <li>▪ 1: On</li> </ul>
	3	R/W	Operation Mode <ul style="list-style-type: none"> <li>▪ 0: Cool</li> <li>▪ 1: Heat</li> <li>▪ 2: Fan</li> <li>▪ 3: Auto</li> <li>▪ 4: Dry</li> </ul>
	4	R/W	SetPoint Temperature <ul style="list-style-type: none"> <li>▪ Celsius value (16°C to 30°C)</li> </ul>
	5	R/W	Fan Speed <ul style="list-style-type: none"> <li>▪ 0: Low</li> <li>▪ 1: Medium</li> <li>▪ 2: High</li> <li>▪ 3: Powerful</li> </ul>
	6	R/W	Remote Controller Lock/Unlock <ul style="list-style-type: none"> <li>▪ 0: Remote Controller Locked</li> <li>▪ 1: Remote Controller Unlocked</li> </ul>
	7	R/W	Louver Control <sup>2</sup> <ul style="list-style-type: none"> <li>▪ 0: Swing</li> <li>▪ 1: Pos1</li> <li>▪ 2: Pos2</li> <li>▪ 3: Pos3</li> <li>▪ 4: Pos4</li> </ul>
	8	R	Room Temperature <ul style="list-style-type: none"> <li>▪ Celsius value (0°C to 30°C)</li> </ul>
	9	R	Filter Sign status <ul style="list-style-type: none"> <li>▪ 0: Off</li> <li>▪ 1: On</li> </ul>
	10	R	Error Code <ul style="list-style-type: none"> <li>▪ 0: No Error</li> <li>▪ 0-99: Error Code<sup>3</sup></li> </ul>
	11	R	Compressor Status <ul style="list-style-type: none"> <li>▪ 0: Off</li> <li>▪ 1: On</li> </ul>
	12	W	Filter Sign Reset <ul style="list-style-type: none"> <li>▪ 1: Clear Filter Alarm (When reading, always 0)</li> </ul>
	13	W	Remote Controller Error Reset <ul style="list-style-type: none"> <li>▪ 1: Clear Remote Controller Error (When reading, always 0)</li> </ul>
	14	R	Thermo On/Off Status (Inverter Type Only) <ul style="list-style-type: none"> <li>▪ 0: Off</li> <li>▪ 1: On</li> </ul>
...	...	...	...
Indoor unit number	Modbus address (base addr is 1)	Modbus register type	Signal description and values

<sup>1</sup> Supported number of indoor units varies according to Intesis™ model

<sup>2</sup> During transition between positions, **Swing** signal will turn on indicating the Louver is moving

<sup>3</sup> See list of indoor unit error codes and their meaning in section 9

		(R/W)	
...	...	...	...
n*	( n* ) x 20 + 1	R	Communication Status
	( n* ) x 20 + 2	R/W	Indoor Unit On/Off
	( n* ) x 20 + 3	R/W	Operation Mode
	( n* ) x 20 + 4	R/W	SetPoint Temperature
	( n* ) x 20 + 5	R/W	Fan Speed
	( n* ) x 20 + 6	R/W	Remote Controller Lock/Unlock
	( n* ) x 20 + 7	R/W	Louver Control
	( n* ) x 20 + 8	R	Room Temperature
	( n* ) x 20 + 9	R	Filter Sign status
	( n* ) x 20 + 10	R	Indoor Unit Error Code
	( n* ) x 20 + 11	R	Compressor Status
	( n* ) x 20 + 12	W	Filter Sign Reset
	( n* ) x 20 + 13	W	Remote Control Error Reset
	( n* ) x 20 + 14	R	Thermo Status (Inverter Type Only)
...	...	...	...
127 (max number of supported indoor units depends on Intesis model)	2541	R	Communication Status
	2542	R/W	Indoor Unit On/Off
	2543	R/W	Operation Mode
	2544	R/W	SetPoint Temperature
	2545	R/W	Fan Speed
	2546	R/W	Remote Controller Lock/Unlock
	2547	R/W	Louver Control
	2548	R	Room Temperature
	2549	R	Filter Sign status
	2550	R	Indoor Unit Error Code
	2551	R	Compressor Status
	2552	W	Filter Sign Reset
	2553	W	Remote Control Error Reset
	2554	R	Thermo Status (Inverter Type Only)

\*n is the indoor unit address number.

### 2.5.3 Modbus addresses related to ALL indoor units

Indoor unit number	Modbus address (base addr is 1)	Modbus register type (R/W)	Signal description and values
ALL	2996	W	All Indoor Units On/Off <ul style="list-style-type: none"> <li>▪ 0: Off</li> <li>▪ 1: On</li> </ul>
	2997	W	All Indoor Units Operation Mode <ul style="list-style-type: none"> <li>▪ 0: Cool</li> <li>▪ 1: Heat</li> <li>▪ 2: Fan</li> <li>▪ 3: Auto</li> <li>▪ 4: Dry</li> </ul>
	2998	W	All Indoor Units SetPoint Temperature <ul style="list-style-type: none"> <li>▪ Celsius value (16°C to 30°C)</li> </ul>
	2999	W	All Indoor Units Fan Speed <ul style="list-style-type: none"> <li>▪ 0: Low</li> <li>▪ 1: Medium</li> <li>▪ 2: High</li> <li>▪ 3: Powerful</li> </ul>
	3000	W	All Indoor Units Remote Controller Lock/Unlock <ul style="list-style-type: none"> <li>▪ 0: Remote Controller Locked</li> <li>▪ 1: Remote Controller Unlocked</li> </ul>

### 3. Intesis™ Device Connections

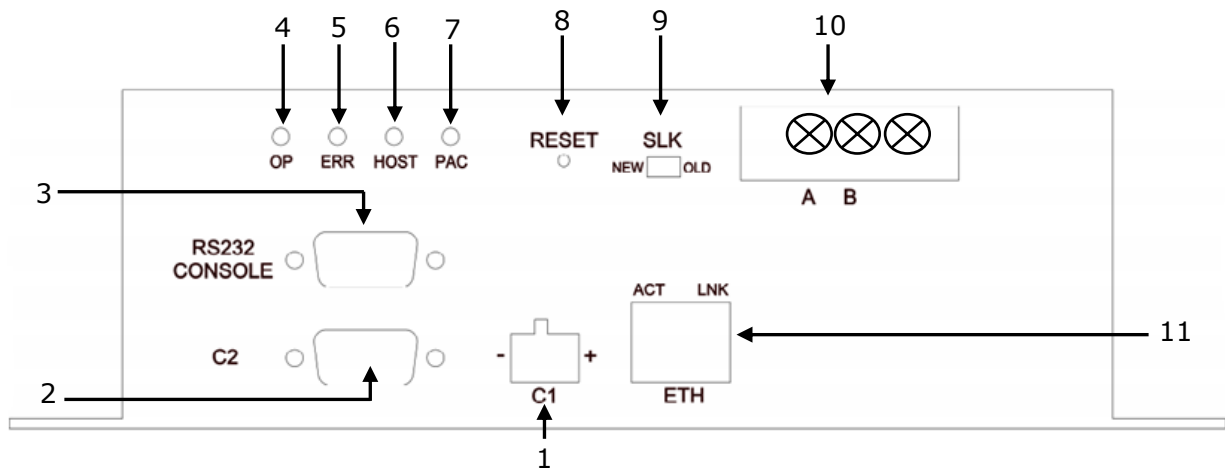


Figure 3.1 Intesis™ device front view

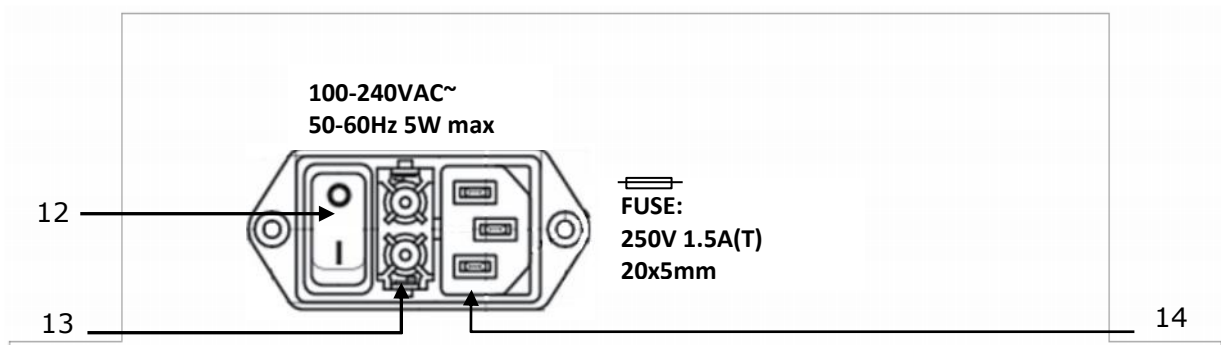


Figure 3.2 Intesis™ device back view

Next, there is the list with the device physical interface connector's description

- |                                   |   |
|-----------------------------------|---|
| 1.- Modbus RTU master EIA485 (C1) | 8.- Reset button (Non supported)                                      |
| 2.- Modbus RTU master EIA232 (C2) | 9.- Superlink selector (SLK)<br>New: Superlink-II<br>Old: Superlink-I |
| 3.- Console serial port EIA232    | 10.- A-B connector (for Superlink, no polarity)                       |
| 4.- Operation LED                 | 11.- Modbus TCP master Ethernet (ETH)                                 |
| 5.- Error LED                     | 12.- Power supply On/Off button                                       |
| 6.- Host LED                      | 13.- Power supply fuse (250V, 1.5A)                                   |
| 7.- Pac LED                       | 14.- Power supply connector   |

### 3.1 Connect to Mitsubishi Heavy Industries Interface

Use the A-B connector in the right top corner of the front side of the Intesis™ device in order to connect the Mitsubishi Heavy Industries network (Superlink) to the Intesis™. Recommended specifications of the cable for the Superlink are shown as follows:

- Size of cable : 0.75 to 1.25 square mm
- Max length of wiring : total 1000m (loop wiring is not allowed)
- Cable materials :

Twisted Vinyl Cabtyre Cable	VCTF 2 core 0.75 to 1.25 square mm
Twisted Vinyl Cabtyre Cable	VCT 2 core 0.75 to 1.25 square mm
Twisted Vinyl Cable for Control	CVV 2 core 0.75 to 1.25 square mm

**Table 3.1** Cable types recommended for Superlink connection

- For prevention of electromagnetic noise malfunctions, parallel wiring with the power line should be avoided

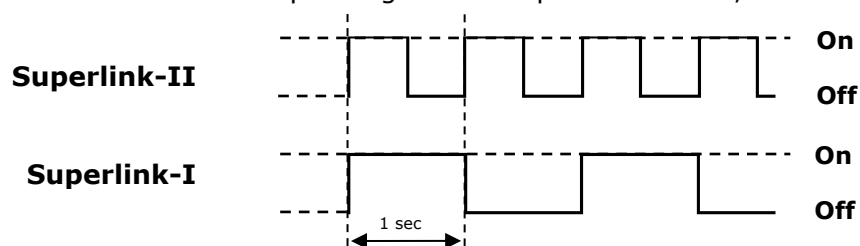
Select the appropriate Superlink mode in the SLK selector. If you are using latest Air Conditioner of the Mitsubishi Heavy Industries network (New Superlink) select NEW, if not select OLD.

LEDs placed in the top left corner will show connection status as follows:

LED	Status	Intesis™ behavior
OP	Blinking	Power supply OK
ERR	Off	No error
HOST	Blinking	Internal communication OK
PAC	Blinking	Communication with the Superlink network OK

**Table 3.2** Intesis™ LED status information

OP LED behavior must defer depending on the Superlink version, as shown in **Figure 3.3**



**Figure 3.3** OP LED blinking behavior depending on Superlink version

If LEDs (except ERR) are not in the states described above, check section 5.3.

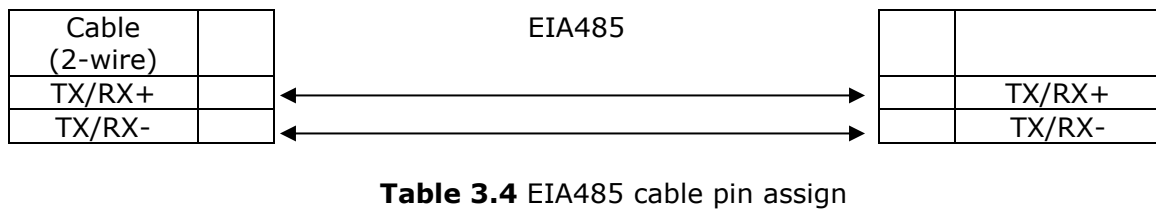
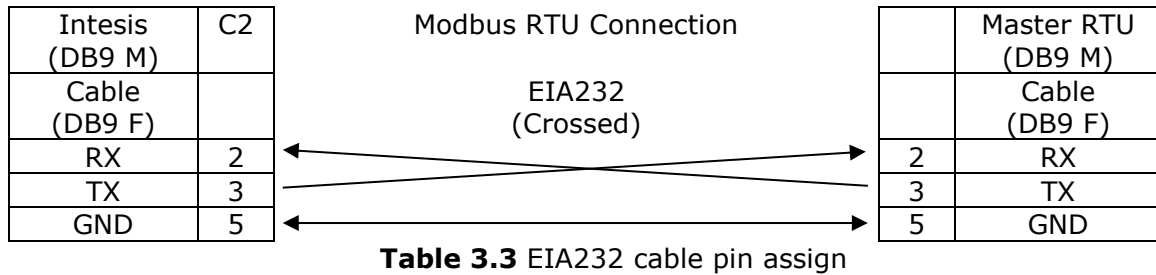
For further information about the Superlink network, look up the Mitsubishi Heavy Industries Manual or contact your nearest Mitsubishi Heavy Industries supplier.

### 3.2 Connect to Modbus Interface

#### 3.2.1 Connect to Modbus RTU

Connect the communication cable coming from the Modbus RTU network to Intesis™ device (see **Figure 3.1**). There are 2 existing modes available:

- EIA485 connection: Use the C1 connector (see **Figure 3.1**) if the Modbus interface is a 2-wire EIA485 connector. Connect the + and – to the respective port in the master device and in the Intesis™ device (polarity matters).
- EIA232 connection: Use the C2 connector (see **Figure 3.1**) if the Modbus interface is point-to-point to one single master.

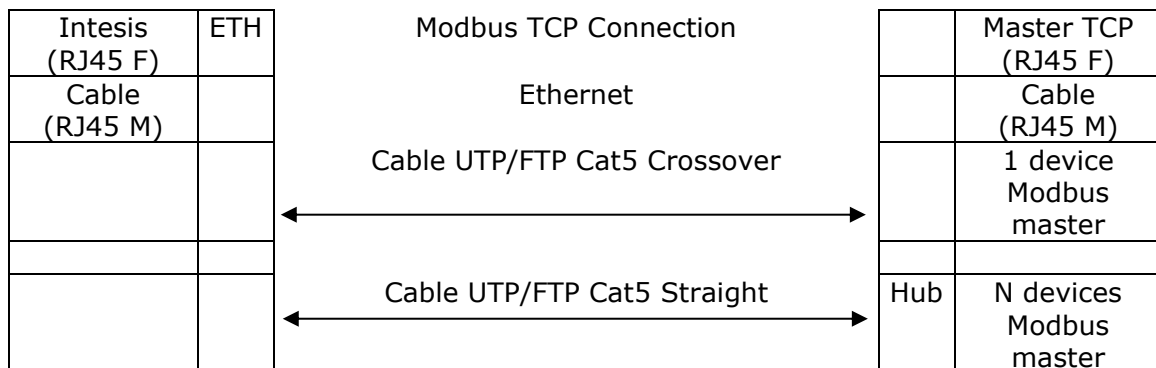


To check connectivity and correct functioning, use LinkBoxMB software (see LinkBoxMB User Manual).

### 3.2.2 Connect to Modbus TCP

Connect the communication cable coming from the hub, switch or device of the Modbus Ethernet network to the ETH connector from the Intesis™ device (see **Figure 3.1**). The cable to be used may vary depending on where the Intesis™ is being connected:

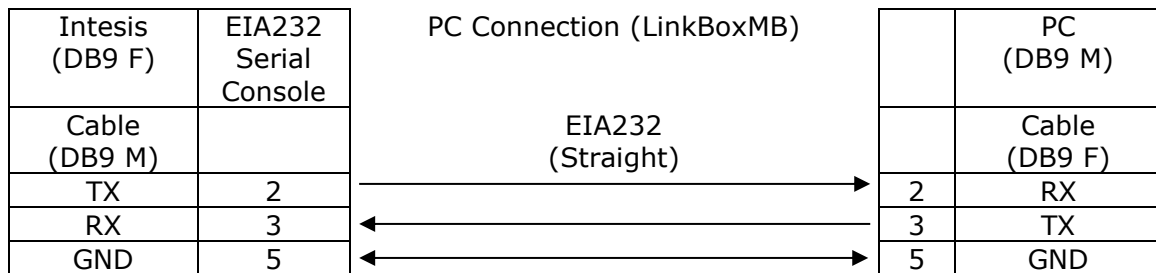
- Connecting directly to a Modbus TCP master device: Crossover Ethernet UTP/FTP CAT5 cable.
- Connecting to a hub or switch of the LAN of the building: Straight Ethernet UTP/FTP CAT5 cable.



In case there is no communication with the Intesis™, check that the Modbus TCP devices are operative and reachable from the network connection used by Intesis™. You can also check that the Intesis™ Ethernet interface is sending Pings to its IP address using a PC connected to the same Ethernet network.

### 3.2.3 Connect to PC (LinkBoxMB)

Connect the Intesis™ device to the PC serial port using the serial cable provided. One end should be connected to the Console EIA232 port of the Intesis™ device (see **Figure 3.1**) and the other end to the PC serial port.



**Table 3.6** EIA232 serial connection pin assign

## 3.3 Power Device

To power up the device, what you need is to plug properly the Power Supply connector to the Intesis™ device using a proper cable and connecting one end to the power supply connector (see Figure 3.2) and the other end to the power line. After that, just press the power supply On/Off button to turn it on.

## 4. LinkBoxMB. Configuration & monitoring tool for Intesis™ Modbus Server series

### 4.1 Introduction

LinkBoxMB is a Windows® compatible software developed specifically to monitor and configure Intesis™ Modbus Server series.

The installation procedure and main functions are explained in the *LinkBoxMB User Manual*. This document can be found in the Doc folder or can be downloaded from the link indicated in the installation sheet supplied with the Intesis™ device.

In this section, only the specific case of Mitsubishi Heavy Industries indoor unit's integration to Modbus networks will be covered.

### 4.2 Connections configuration

To configure the Intesis™'s connection parameters and to see the points list, press on the **Config** button in the *menu bar* (see Figure 4.1). The *Mitsubishi Heavy Industries Configuration* window will open (see Figure 4.2). For integrations with large number of points, there is available an alternative CSV installation procedure explained in the LinkBoxMB User Manual.

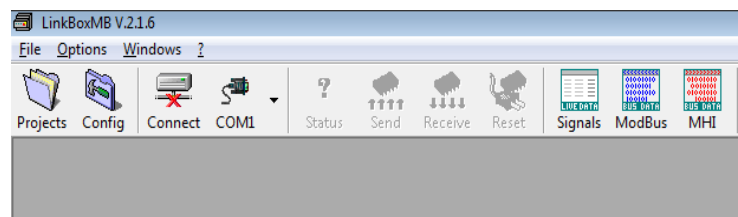


Figure 4.1 LinkBoxMB menu bar

#### 4.2.1 Configuration tab

Select the **Connection** tab to configure the connection parameters. Two subsets of information are shown in this window: Modbus RTU, Modbus TCP and Mitsubishi Heavy Industries interfaces parameters (see Figure 4.2).

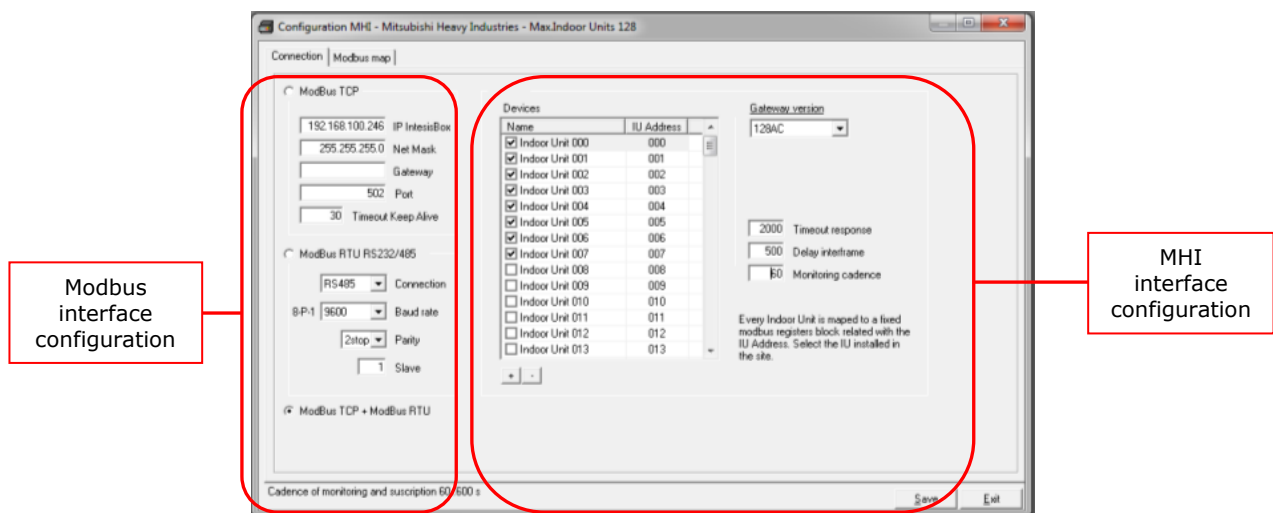


Figure 4.2 LinkBoxMB configuration tab

Next, there is an explanation for each of the configuration parameters in each mode.

- Modbus interface configuration parameters:

**Figure 4.3** Modbus interface configuration

**1. Select the type of Modbus communication to use** (TCP, RTU or both).

If Modbus TCP is selected, then:

- 2. IP Intesis:** Enter the IP address for Intesis™.
- 3. Net Mask:** Enter the IP netmask for Intesis™.
- 4. Gateway:** Enter the default gateway address for Intesis™; leave it blank if no router is needed.
- 5. Port:** Enter the TCP port to use (default for Modbus TCP is 502).
- 6. Timeout Keep Alive:** Enter the time (expressed in seconds) that Intesis™ will wait, upon no TCP activity, to send a Keep Alive packet. Enter 0 if you don't want Intesis™ to send any Keep Alive packet (default 30 seconds).

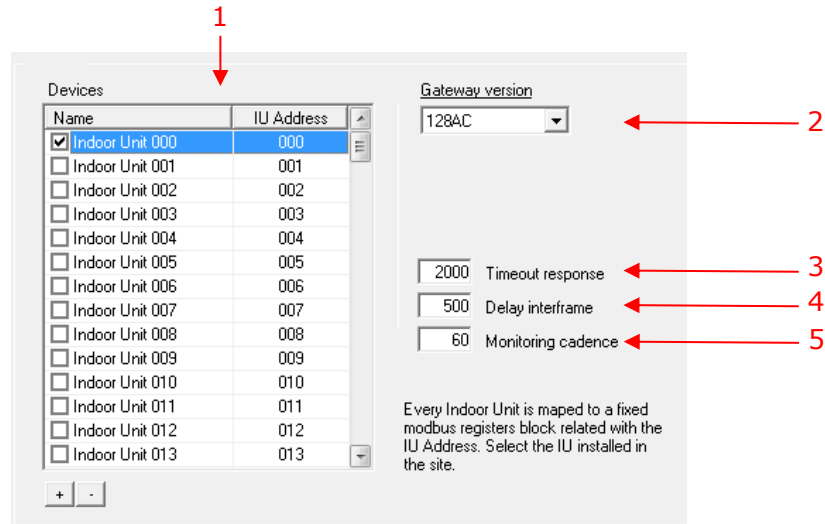
If Modbus RTU is selected, then:

- 7. Connection:** Select the physical media (EIA232 or EIA485)<sup>1</sup>.
- 8. Baud rate:** Enter the baud rate of the serial communication.
- 9. Parity:** Enter the byte parity of the serial communication.
- 10. Slave:** Introduce the Slave number for the Modbus interface.

- Mitsubishi Heavy Industries interface configuration parameters:

<sup>1</sup> In the LinkboxMB this connection is labeled as RS232 and RS485 respectively.





**Figure 4.4** Mitsubishi Heavy Industries interface configuration

1. **Devices:** In this list, you can individually enable each of the 128 indoor units available on the system. The index in the column "Indoor unit" (i.e. the number x in "Indoor Unit xxx") is the reference that will be used later on (in tab "Signals") to refer to this AC indoor unit. You can also change the name of the indoor Unit to facilitate integration tasks.
2. **Gateway version:** Selection of the *Intesis Modbus Server – Mitsubishi Heavy Industries* gateway you are setting up. (128AC for INMBSMHI128O000, 48AC for INMBSMHI048O000)
3. **Timeout response:** Maximum amount of time permitted before activating the Communication Error signal. It is expressed in milliseconds (ms) and ranges can vary from 2000 ms to 10000 ms.
4. **Delay interframe:** Maximum amount of time permitted between End Of Transmission (EOT) and a new frame. It is expressed in milliseconds (ms) and ranges can vary from 500 ms to 3000 ms.
5. **Monitoring cadence:** Cadence of monitoring and subscription. It is expressed in seconds (s) and ranges can vary from 60 s to 600 s.

Additional configuration parameters should generally be left to their default value. They only might need to be tuned in some very specific cases (installations with large number of units, scenarios with large bursts of commands sent at once ...)

#### 4.2.2 Modbus map tab

In order to know the Modbus map that is going to be used by the interface, the *Modbus map* tab can be consulted.

Content in this tab is just informative: no information has to be set up.

Address/Formula	R/W	Signal	Values
( IndoorUnit[0..127] * 20 ) + 1	R	Communication status	0-Ok, 1-Error
( IndoorUnit[0..127] * 20 ) + 2	R/W	On/Off	0-Off, 1-On
( IndoorUnit[0..127] * 20 ) + 3	R/W	Mode	0-Cool, 1-Heat, 2-Fan, 3-Auto, 4-Dry
( IndoorUnit[0..127] * 20 ) + 4	R/W	SetPoint	16..30°C
( IndoorUnit[0..127] * 20 ) + 5	R/W	Fan speed	0-Lo, 1-Me, 2-Hi, 3-Powerful
( IndoorUnit[0..127] * 20 ) + 6	R/W	Remocon Lock	0-Unlock, 1-Lock
( IndoorUnit[0..127] * 20 ) + 7	R/W	Louver	0-Swing, 1-Pos, 2-Pos, 3-Pos, 4-Pos
( IndoorUnit[0..127] * 20 ) + 8	R	Room temperature	0..30°C
( IndoorUnit[0..127] * 20 ) + 9	R	Filter Sign status	0-Off, 1-On
( IndoorUnit[0..127] * 20 ) + 10	R	Error Code	0-Not error, 1..99 error code
( IndoorUnit[0..127] * 20 ) + 11	R	Compressor status	0-Off, 1-On
( IndoorUnit[0..127] * 20 ) + 12	W	Filter Sign Reset	1-Reset (Reading always 0)
( IndoorUnit[0..127] * 20 ) + 13	W	Remocon Error reset	1-Reset (Reading always 0)
( IndoorUnit[0..127] * 20 ) + 14	R	Thermo On/Off (Inverter only)	0-Off, 1-On
2995	R	HW Communication Status	0-Ok, 1-Failure
2996	W	On/Off_All	0-Off, 1-On
2997	W	Mode_All	0-Cool, 1-Heat, 2-Fan, 3-Auto, 4-Dry
2998	W	SetPoint_All	16..30°C
2999	W	Fan speed_All	0-Lo, 1-Me, 2-Hi, 3-Powerful
3000	W	Remocon Lock_All	0-Unlock, 1-Lock

Figure 4.5 Modbus signal list

- 1. Address Formula:** Formula used by Intesis™ to define the Modbus address for the point. Use this address (obtained with this formula) to access the point from your Modbus master device.
- 2. R/W:** Indicates if the signal is read-only, or if it can be read and written (from the Modbus system point of view).
- 3. Signal:** Signal description.
- 4. Values:** Possible values for the signal.

See section 2.5 for further detail on address mapping and the possible values on each signal.

### 4.3 Sending the configuration to Intesis™

When the configuration is finished, follow the next steps.

- 1.- Click on **Save** button to save the project to the project folder on your hard disk (more information in LinkBoxMB User Manual).
- 2.- You will be prompted to generate the configuration file to be sent to the gateway.
  - a.- If **Yes** is selected, the binary file (MHI.Lbox) containing the configuration for the gateway will be generated and saved also into the project folder.
  - b.- If **NO** is selected, remember that the binary file with the project needs to be generated before the Intesis™ starts to work as expected.
- 3.- Once in the configuration window again, click on **exit**. Configuration file is ready to be sent to the Intesis™ device.

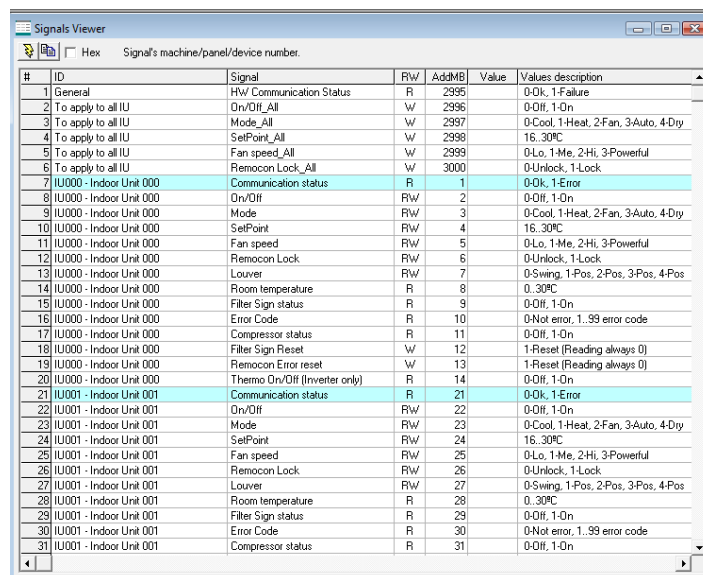
4.- Press the **Send File** button to send the binary file to the Intesis™ device. The process of file transmission can be monitored in the Intesis™ Communication Console window. Intesis will reboot automatically once the new configuration is loaded.

**After any configuration change, do not forget to send the configuration file to the Intesis™ using button Send File.**

## 4.4 Signals viewer

Once the gateway is running with the correct configuration, to supervise the status of the configured signals, press the **Signals** button on the *menu* bar (see Figure 4.1). The Signals Viewer window will open (see Figure 4.6).

This window shows all signals active within the gateway with its main configuration parameters and its real time value<sup>1</sup> in the **Value** column.



#	ID	Signal	RW	AddrMB	Value	Values description
1	General	HW Communication Status	R	2955		0-Ok, 1-Failure
2	To apply to all IU	On/Off_All	W	2956		0-Off, 1-On
3	To apply to all IU	Mode_All	W	2957		0-Cool, 1-Heat, 2-Fan, 3-Auto, 4-Dry
4	To apply to all IU	SelfPoint_All	W	2958		15, 30°C
5	To apply to all IU	Fan speed_All	W	2959		0-Lo, 1-Me, 2-Hi, 3-Powerful
6	To apply to all IU	Remocon Lock_All	W	3000		0-Unlock, 1-Lock
7	IU000 - Indoor Unit 000	Communication status	R	1	1	0-Ok, 1-Error
8	IU000 - Indoor Unit 000	On/Off	R/W	2		0-Off, 1-On
9	IU000 - Indoor Unit 000	Mode	R/W	3		0-Cool, 1-Heat, 2-Fan, 3-Auto, 4-Dry
10	IU000 - Indoor Unit 000	SelfPoint	R/W	4		15, 30°C
11	IU000 - Indoor Unit 000	Fan speed	R/W	5		0-Lo, 1-Me, 2-Hi, 3-Powerful
12	IU000 - Indoor Unit 000	Remocon Lock	R/W	6		0-Unlock, 1-Lock
13	IU000 - Indoor Unit 000	Louver	R/W	7		0-Swing, 1-Pos, 2-Pos, 3-Pos, 4-Pos
14	IU000 - Indoor Unit 000	Room temperature	R	8		0, 30°C
15	IU000 - Indoor Unit 000	Filter Sign status	R	9		0-Off, 1-On
16	IU000 - Indoor Unit 000	Error Code	R	10		0-Not error, 1..99 error code
17	IU000 - Indoor Unit 000	Compressor status	R	11		0-Off, 1-On
18	IU000 - Indoor Unit 000	Filter Sign PReset	W	12		1-Reset (Reading always 0)
19	IU000 - Indoor Unit 000	Remocon Error reset	W	13		1-Reset (Reading always 0)
20	IU000 - Indoor Unit 000	Thermo On/Off (Inverter only)	R	14		0-Off, 1-On
21	IU001 - Indoor Unit 001	Communication status	R	21		0-Ok, 1-Error
22	IU001 - Indoor Unit 001	On/Off	R/W	22		0-Off, 1-On
23	IU001 - Indoor Unit 001	Mode	R/W	23		0-Cool, 1-Heat, 2-Fan, 3-Auto, 4-Dry
24	IU001 - Indoor Unit 001	SelfPoint	R/W	24		15, 30°C
25	IU001 - Indoor Unit 001	Fan speed	R/W	25		0-Lo, 1-Me, 2-Hi, 3-Powerful
26	IU001 - Indoor Unit 001	Remocon Lock	R/W	26		0-Unlock, 1-Lock
27	IU001 - Indoor Unit 001	Louver	R/W	27		0-Swing, 1-Pos, 2-Pos, 3-Pos, 4-Pos
28	IU001 - Indoor Unit 001	Room temperature	R	28		0, 30°C
29	IU001 - Indoor Unit 001	Filter Sign status	R	29		0-Off, 1-On
30	IU001 - Indoor Unit 001	Error Code	R	30		0-Not error, 1..99 error code
31	IU001 - Indoor Unit 001	Compressor status	R	31		0-Off, 1-On

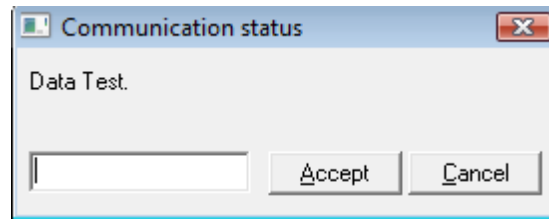
**Figure 4.6** LinkBoxMB Signals Viewer

The signals viewer can be used even though only one system is connected to the Intesis™, Modbus or Mitsubishi Heavy Industries AC. Therefore, it becomes convenient for supervision and testing the system.

In order to force a specific value to a signal, double-click its row in the table. This will display a dialog in which the desired value can be entered (see Figure 4.7). Changing its value in this way, will make:

- The content of the corresponding Modbus address will be changed to this value.
- If the signal is write-enabled, it will trigger a suitable command to Mitsubishi Heavy Industries AC system.

<sup>1</sup> In case you connect to the Intesis™ when it's been running for a certain time, you should press the *Refresh* button to get updated values. After pressing *Refresh*, all signal values will keep continuously updated until the connection is closed.

Figure 4.7 **Signal value change window**

## 4.5 Files

LinkBoxMB saves the integration configuration in the following files inside the project folder:

PROJECT.INI	INI file containing general information related to the project
MHI.INI	INI file containing information related with the values configured through the "Connection" tab in Intesis™ configuration
MHI.LBOX	Binary file created from the information in the files described above. This is the file downloaded to the Intesis™.

**Table 4.1** LinkBoxMB generated files during Project creation

It is strongly recommended to back up the project folder containing these files in external media, once the installation process is finished. This way you will be able to do future configuration changes in case of reinstallation of LinkBoxMB due, for example, to a failure of the hard disk in the PC where LinkBoxMB was installed.

***The configuration cannot be uploaded from the gateway to LinkBoxMB, it can only be downloaded.***

## 5. Setup process and troubleshooting

### 5.1 Pre-requisites

It is necessary to have the Modbus master device operative and well connected to the Modbus port of Intesis™. If using EIA232 communication, remember to respect the maximum of 15 meters cable distance.

Connectors, connection cables, PC for LinkBoxMB, and other auxiliary material, if needed, are not supplied by HMS Networks for this standard integration. Items supplied by HMS Networks for this integration are:

- Intesis™ Modbus Server device with full Mitsubishi Heavy Industries AC compatibility without extra components.
- Standard plug-in power supply 220Vac 50Hz to power Intesis™ (European plug type).
- Access to LinkBoxMB software download site to configure Intesis™.
- Console cable needed to download the configuration to Intesis™.
- Product documentation.

### 5.2 Setup procedure

1. Install LinkBoxMB on your laptop, use the setup program supplied for this and follow the instructions given by the Installation wizard.
2. Install Intesis™ in the desired installation site. For your convenience, check external enclosure measures (see 7) before deciding where to place the Intesis™ device.
3. Connect the communication cable coming from the Modbus master device to the Intesis™ port. Depending on the type of communication protocol:
  - If EIA232 is used, connect it to C2.
  - If EIA485 is used, connect it to C1.
  - If Ethernet is used, connect it to ETH.

(See 3.2 for more information on connection procedure)

Remember that Intesis™ can handle up to two simultaneous Modbus master connections.

4. Connect the Superlink network cable to the Intesis port marked as AB (see 3.1).
5. Select the appropriate Superlink mode in the SLK selector. If you are using latest Air Conditioner of the Mitsubishi Heavy Industries network select NEW, if not select OLD. Contact your nearest Mitsubishi Heavy Industries supplier in case of doubt.
6. Connect the Intesis™ device to the power line (see 3.3) and press the On/Off button to turn it on.
7. Connect the communication cable coming from the serial port of your laptop/desktop PC to the Intesis™ port marked as EIA232 Console (see 3.2.3).
8. Open LinkBoxMB and proceed as explained in section 4.

## 5.3 Troubleshooting

If Intesis™ is not working properly or even not working at all, please check the following conditions to be accomplished.

### 5.3.1 Physical checking

First point to look at to make sure that Intesis™ is not working properly is to check physical connections:

1.- Make sure that the power plug is correctly connected and current is available in the power line.

2.- Check Intesis™ LED status:

LED	Status	Explanation	Solution
OP	Off	No power reaching the internal device	Check power connection Check fuse status (see 13 in Figure 3.2)
ERR	Blinking once periodically	Superlink communication failure	Check Superlink cables and terminals (connectors, length of cables, etc.)
HOST	Off	Configuration error	Download the binary file again (see 4.3)
PAC	Off	Communication error in the Superlink network	Check the Mitsubishi Heavy Industries Superlink network and its connections

**Table 5.1** Intesis™ LED status information

### 5.3.2 Software checking

Once physical connections have been checked, if functioning problems still remain, please use the LinkBoxMB tool to monitor the working status of the device.

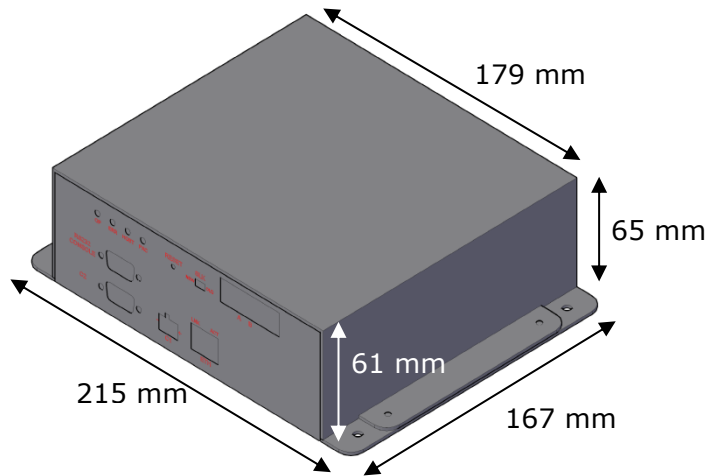
- To check the Modbus communication status, click on the **Modbus** button in the *menu bar* (see Figure 4.1).
- To check the MHI communication status, click on the **MHI** button, also in the *menu bar* (see Figure 4.1).
- To check the signal values in the Modbus registers, click on the **Signals** button, also in the *menu bar* (see Figure 4.1).

Further information regarding the monitoring procedure and the information provided in each window can be consulted in the LinkBoxMB Manual.

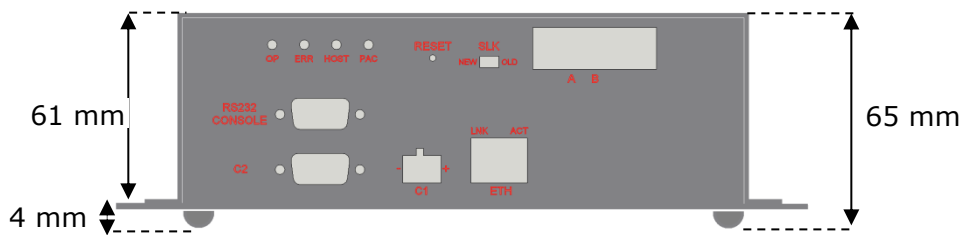
## 6. Functional characteristics summary

<b>General</b>	
Max. Number of Mitsubishi Heavy Industries interfaces	Two different versions of Intesis™ available, supporting a maximum of 128 and 48 indoor units respectively.
Virtual signals	<ul style="list-style-type: none"> <li>One communication error virtual signal per every single Mitsubishi Heavy Industries AC</li> </ul> All these virtual signals are available from Modbus.
<b>Modbus interface</b>	
Device type	Slave.
Modbus modes supported	TCP, RTU EIA232 or EIA485.
Modbus TCP configuration parameters	<ul style="list-style-type: none"> <li>IP address.</li> <li>Subnet mask.</li> <li>Default gateway address.</li> <li>TCP port.</li> </ul>
Modbus RTU configuration parameters	<ul style="list-style-type: none"> <li>EIA232/EIA485.</li> <li>Baud rate.</li> <li>Parity.</li> <li>Slave number.</li> </ul>
<b>Points</b>	
Configuration	AC system related fields. <ul style="list-style-type: none"> <li>Indoor unit main address: Main Address of the indoor each AC indoor unit Modbus memory block relates to.</li> </ul>
Supported Modbus function codes	Read functions: <ul style="list-style-type: none"> <li>3- Read holding registers.</li> <li>4- Read input registers.</li> </ul> Write functions: <ul style="list-style-type: none"> <li>6- Write single registers.</li> </ul> <p><i>If poll records are used to read multiple records, the range of addresses requested must contain valid addresses, otherwise the corresponding Modbus error code will be responded.</i></p>
Modbus data coding	All the point's values are coded in 2 byte registers (even if their possible values are 0 and 1). They are expressed in MSB..LSB format (Big Endian)

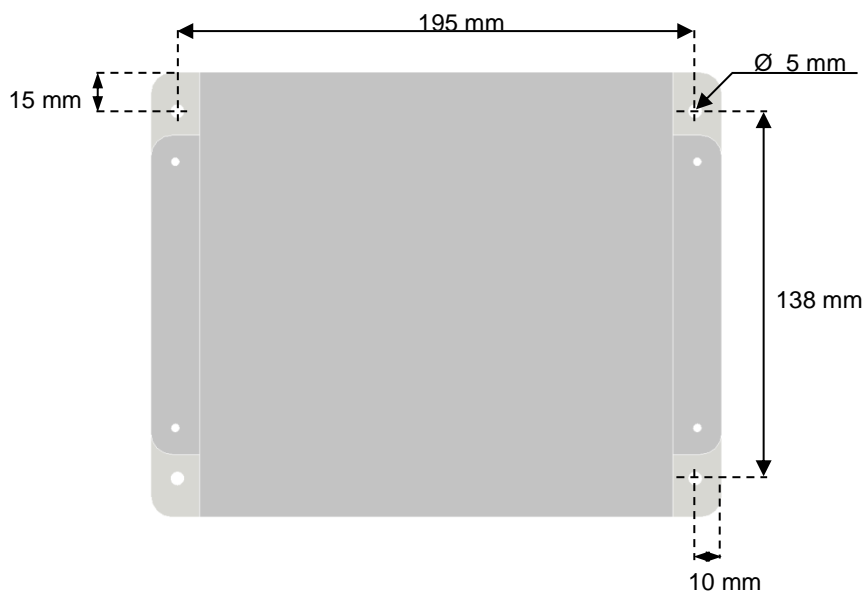
## 7. Mechanical & Electrical characteristics



**Figure 7.1** External dimensions – Perspective view



**Figure 7.2** External dimensions – Front view



**Figure 7.3** Top view<sup>1</sup> (screw holes size)

<sup>1</sup> Device can be installed in any position.



Enclosure	Industrial sheet metal. Size: 215mm x 167mm x 61mm. Weight: 2.025 Kg
Color	Gray metalized.
Power	100 to 240VAC~ 50 to 60Hz 5W max. Power connector: C14 (male) <sup>1</sup>
Fuse	250V 1.5A Dimensions: 20x5mm
Terminal wiring (for low-voltage signals)	Per terminal: solid wires or stranded wires (twisted or with ferrule) 1 core: 0.75 ... 1.25mm <sup>2</sup> 2 cores: 0.75 ... 1.25mm <sup>2</sup> 3 cores: not permitted
Mounting	Wall (see Figure 7.3)
Modbus TCP port	1 x Ethernet 10Base-T (RJ45).
Modbus RTU ports	1 x Serial EIA232 (DB9 male DTE). SELV 1 x Serial EIA485 (Plug-in screw terminal block 2 poles). SELV
A-B port	1 x Superlink terminals (Plug-in screw terminal block 2 poles "A" "B"). SELV
LED indicators	2 x Ethernet port link and activity (LNK, ACT). 4 x MHI Interface (OP, ERR, HOST, PAC)
Push buttons	1 x Reset Device
Selectors	1 x SLK selector
Console port	EIA232. (DB9 female DCE). SELV
Configuration	Via console port. <sup>2</sup>
Firmware	Allows upgrades via console port.
Operational temperature range	0°C to +40°C
Operational humidity range	5% to 95%, non condensing
Protection	IP20 (IEC60529).
RoHS conformity	Compliant with RoHS directive (2002/95/CE).
Norms and standards	CE conformity to EMC directive (2004/108/EC) and Low-voltage directive (2006/95/EC) EN 61000-6-2 EN 61000-6-3 EN 60950-1 EN 50491-3

**Table 7.1** Intesis™ Mechanical and Electrical Characteristics

## 8. AC Unit Types compatibility

Indoor units compatible with the Intesis™ Modbus – Server are those included in the Mitsubishi Heavy Industries KX family and so on.

<sup>1</sup> A power cable with connector C14 male 1.6 meters long is supplied with the device.

<sup>2</sup> Standard cable DB9male-DB9female 1.8 meters long is supplied with the device for connection to a PC COM port for configuring and monitoring the device. The configuration software, compatible with Windows® operating systems, is also supplied.