

Modbus RTU (EIA-485) Interface for Midea air conditioners

Compatible with VRF and Commercial lines

USER MANUAL

Issue date: 03/2021 r1.4 ENGLISH



Modbus RTU (EIA-485) Interface for Midea air conditioners

Compatible with VRF and Commercial lines

ORDER CODE	LEGACY ORDER CODE
INMBSMID001I000	MD-AC-MBS-1
INMBSMID004I000	MD-AC-MBS-4
INMBSMID008I000	MD-AC-MBS-8
INMBSMID032I000	MD-AC-MBS-32

Important User Information

Disclaimer

The information in this document is for informational purposes only. Please inform HMS Industrial Networks of any inaccuracies or omissions found in this document. HMS Industrial Networks disclaims any responsibility or liability for any errors that may appear in this document.

HMS Industrial Networks reserves the right to modify its products in line with its policy of continuous product development. The information in this document shall therefore not be construed as a commitment on the part of HMS Industrial Networks and is subject to change without notice. HMS Industrial Networks makes no commitment to update or keep current the information in this document.

The data, examples and illustrations found in this document are included for illustrative purposes and are only intended to help improve understanding of the functionality and handling of the product. In view of the wide range of possible applications of the product, and because of the many variables and requirements associated with any particular implementation, HMS Industrial Networks cannot assume responsibility or liability for actual use based on the data, examples or illustrations included in this document nor for any damages incurred during installation of the product. Those responsible for the use of the product must acquire sufficient knowledge in order to ensure that the product is used correctly in their specific application and that the application meets all performance and safety requirements including any applicable laws, regulations, codes and standards. Further, HMS Industrial Networks will under no circumstances assume liability or responsibility for any problems that may arise as a result from the use of undocumented features or functional side effects found outside the documented scope of the product. The effects caused by any direct or indirect use of such aspects of the product are undefined and may include e.g. compatibility issues and stability issues.

INDEX

1	Presentation	5
2	Connection	6
2.1	Connect to the AC indoor unit	6
2.2	Connection to the EIA-485 bus.....	6
2.3	Connection to the power supply	6
2.4	Connection diagrams	7
3	Quick Start Guide	8
4	Modbus Interface Specification	9
4.1	Modbus physical layer	9
4.2	Modbus Registers for INMBSMID001I000.....	9
4.2.1	Control and status registers.....	9
4.2.2	Configuration Registers	11
4.3	Modbus Registers for INMBSMID004I000 / INMBSMID008I000 /INMBSMID032I000	12
4.3.1	Global Control and status registers	12
4.3.2	Individual Control and status registers	13
4.3.3	Configuration Registers	14
4.4	Considerations on Temperature Registers	15
4.5	DIP-switch Configuration Interface	17
4.6	Implemented Functions	20
4.7	Device LED indicator	20
4.8	EIA-485 bus. Termination resistors and Fail-Safe Biasing mechanism.....	21
5	Electrical and Mechanical features	22
6	List of supported AC Unit Types.....	23
7	Error Codes	24

1 Presentation

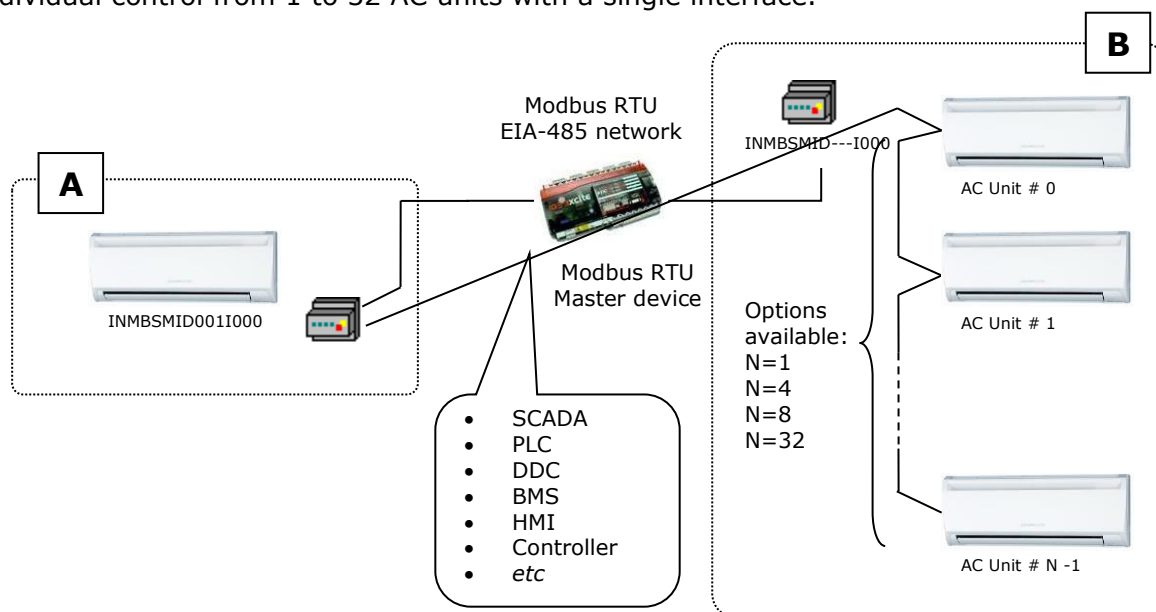


The INMBSMID---I000 interface allows a complete and natural integration of **Midea** air conditioners into Modbus RTU (EIA-485) networks.

Compatible with VRF and Commercial lines.

Reduced dimensions. 93 x 53 x 58 mm
3.7" x 2.1" x 2.3"

- Quick and easy installation.
Mountable on DIN rail, wall, or even inside the indoor unit on some models of AC.
- External power required.
- Direct connection to Modbus RTU (EIA-485) networks. Up to 63 INMBSMID004I000 / INMBSMID008I000 /INMBSMID032I000 devices can be connected on the same network.
INMBSMID---I000 is a Modbus slave device.
- Direct connection to the Midea XYE bus.
- Configuration from both on-board DIP-switches and Modbus RTU.
- Total Control and Supervision.
- Real states of the AC unit's internal variables.
- Allows simultaneous use of the AC's remote controls and Modbus RTU.
- Individual control from 1 to 32 AC units with a single interface.



A Integration of single AC unit from independent XYE bus using INMBSMID001I000 interface

B Integration of multiple AC units in the same XYE bus using INMBSMID004I000 / INMBSMID008I000 /INMBSMID032I000 interface

2 Connection

The interface comes with 3 plug-in terminal blocks of 2 poles.

The first (XY) is used to establish direct connection with the AC indoor unit. The second one (V1V2) is used to provide power.

The third one (AB) is used to establish connection with the Modbus RTU EIA-485 network.

2.1 Connect to the AC indoor unit

The INMBSMID---I000 connects directly to the Midea XYE bus. The cable for proper connection is not provided with the interface. Maximum XYE bus length is 100 m (328.08 ft.).

Connector E, from the XYE bus, is not used to connect to the indoor unit or indoor units. The XYE bus has specific polarity.

Depending on the number of AC units to control, the recommended connection' methods can be seen in Figure 2.1 and Figure 2.2.

NOTE: If a CCM Central Controller is present in the XYE bus, then the INMBSMID---I000 cannot be connected. Please, disconnect the CCM Central Controller for use of the gateway.

2.2 Connection to the EIA-485 bus

Connect the EIA-485 bus wires to the plug-in terminal block of the INMBSMID---I000 interface and respect the polarity on this connection (A+ and B-).

Make sure that the maximum distance of the bus is 1,200 meters (3,937 ft.) in daisy chain set up. Loop or star topologies are not allowed in the EIA-485 bus. A terminator resistor of 120Ω must be present at each end of the bus to avoid signal reflections. The bus might need a fail-safe biasing mechanism (see section 4.8 for more details).

2.3 Connection to the power supply

The INMBSMID---I000 interface must be powered from an external power supply.

Use an external 12V DC power supply connected to V1/V2 connector. The V1/V2 connection has specific polarity (V1- y V2+).

2.4 Connection diagrams

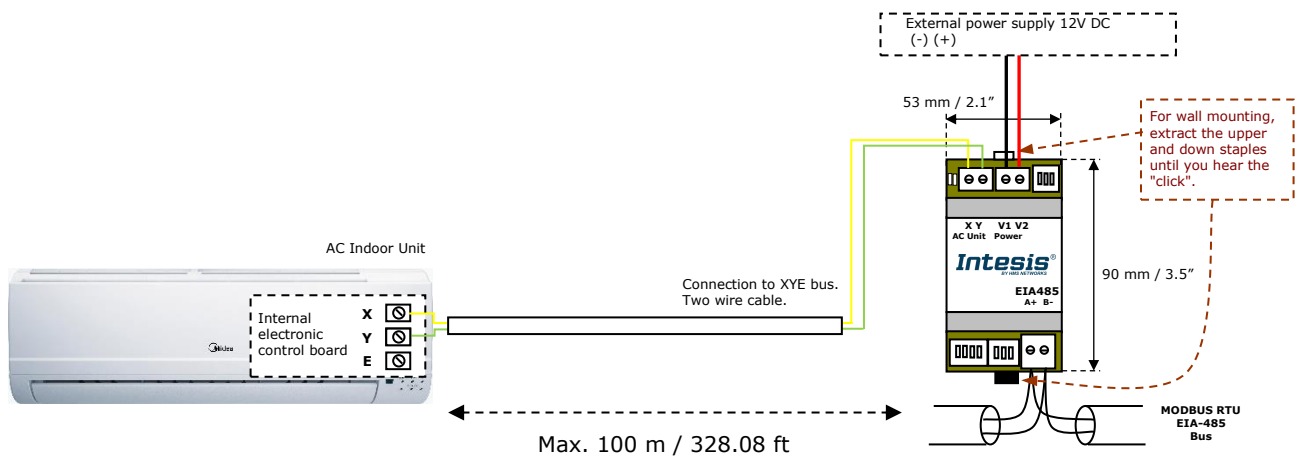


Figure 2.1 INBMSMID001I000 connection diagram

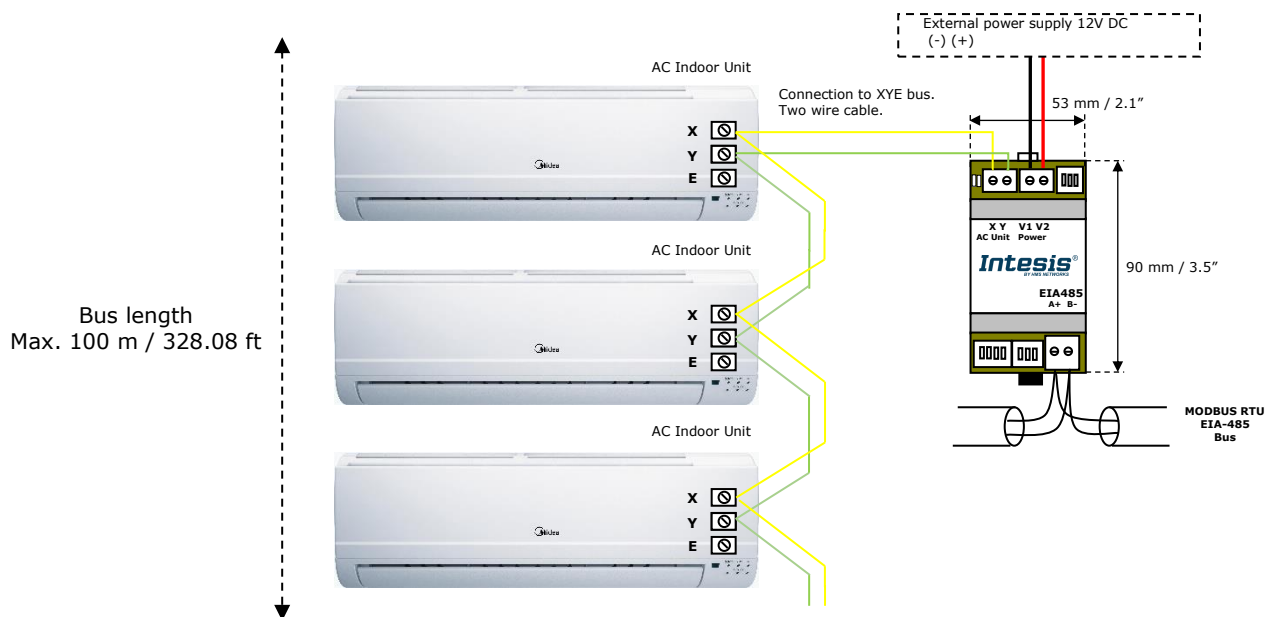


Figure 2.2 INBMSMID004I000 / INBMSMID008I000 / INBMSMID032I000 connection diagram

NOTE: If a CCM Central Controller is present in the XYE bus, the INBMSMID---I000 cannot be connected. Please, disconnect the CCM Central Controller for use of the gateway.

3 Quick Start Guide


1. Disconnect the air conditioning from the Mains Power.
2. Attach the interface close to the AC indoor unit (wall mounting) following the instructions of the diagram above. Install it inside the AC indoor unit or an electrical enclosure (respect the safety instructions provided by the AC manufacturer).
3. Connect the XYE bus between the interface and the AC indoor unit following the instructions of the installation diagram respecting the polarity.
4. Connect the Modbus RTU (EIA-485) bus to the *EIA485* A/B connector of the interface.
5. Connect the power cable between the interface and the Mains Power following the instructions of the diagram. Screw each bare cable end in the corresponding V1/V2 terminals.
6. Check the DIP-Switch configuration of the Intesis interface and make sure it matches the current installation's parameters:

By default, the interface is set to:

- Modbus Slave Address → 1
- Modbus baud rate → 9600 bps



These parameters can be modified from SW3 and SW4 DIP-Switches.

All other switch positions are set at low level (Off position ) by default.

NOTE: All changes on the DIP-Switch configuration require a system power cycle to be applied.

7. Connect the AC system to Mains Power.

IMPORTANT: The Intesis interface requires to be connected to the AC unit (powered) to start the communication.

4 Modbus Interface Specification

4.1 Modbus physical layer

INMBSMID---I000 implements a Modbus RTU (Slave) interface, to be connected to an EIA-485 line. It performs an 8N2 communication (8 data bits, no parity and 2 stop bit) with several available baud rates (2400 bps, 4800 bps, 9600 bps -default-, 19200 bps, 38400 bps, 57600 bps, 76800 bps and 115200 bps). It also supports 8N1 communication (8 data bits, no parity and 1 stop bit).

4.2 Modbus Registers for INMBSMID001I000

All registers are type "16-bit unsigned Holding Register" and use the standard *ModBus big endian* notation.

The indoor unit (IU) that is being controlled must have Unit Address **0**. This address needs to be set in the AC unit.

4.2.1 Control and status registers

Register Address (protocol address)	Register Address (PLC address)	R/W	Description
0	1	R/W	AC unit On/Off <ul style="list-style-type: none"> ▪ 0: Off ▪ 1: On
1	2	R/W	AC unit Mode ¹ <ul style="list-style-type: none"> ▪ 0: Auto (Default value) ▪ 1: Heat ▪ 2: Dry ▪ 3: Fan ▪ 4: Cool
2	3	R/W	AC unit Fan Speed ¹ <ul style="list-style-type: none"> ▪ 0: Auto (Default value) ▪ 1: SP1 ▪ 2: SP2 ▪ 3: SP3
3	4	R/W	AC unit Up/Down Vane Position ¹ <ul style="list-style-type: none"> ▪ 0: Off (Default value) ▪ 10: Swing
4	5	R/W	AC unit Temperature setpoint ^{1,2,3} <ul style="list-style-type: none"> ▪ -32678 (Initialization value) ▪ 17..30 °C (°C/x10°C) ▪ 63..86 °F
5	6	R	AC unit Temperature reference ^{1,2,3} <ul style="list-style-type: none"> ▪ -32678 (Initialization value) ▪ Ranges determined by the Manufacturer of the AC indoor unit. (°C/x10°C/°F)
6	7	R/W	Window Contact <ul style="list-style-type: none"> ▪ 0: Closed (Default Value) ▪ 1: Open

¹ Available values will depend on the AC unit mode. Check the AC unit model functions in its User Manual to know the possible values for this register.

² Magnitude for this register can be adjusted to Celsius x 1°C, Celsius x 10°C (default) or Fahrenheit. See section 4.5 for more information.

³ It is not possible turn the value shown in Fahrenheit to x10.

Register Address (protocol address)	Register Address (PLC address)	R/W	Description
7	8	R/W	INMBSMID001I000 Disablement ⁴ <ul style="list-style-type: none"> 0: INMBSMID001I000 enabled (Default) 1: INMBSMID001I000 disabled
8	9	R/W	Remote Control Disablement ^{4,5} <ul style="list-style-type: none"> 0: Remote enabled (Default Value) 1: Remote disabled
9	10	R/W	AC unit Operation Time ⁴ <ul style="list-style-type: none"> 0..65535 (hours). Counts the time the AC unit is in "On" state.
10	11	R	AC unit Alarm Status <ul style="list-style-type: none"> 0: No alarm condition 1: Alarm condition
11	12	R	Error Code ⁶ <ul style="list-style-type: none"> 0: No error active 65535 (-1 if it is read as signed value): Error in the communication of INMBSMID001I000 with the AC unit Any other error present, see the table at the end of this document. (Section 7)
22	23	R/W	Indoor unit ambient temperature from external sensor (at Modbus side) ^{1,2,3,7} <ul style="list-style-type: none"> -32768: (Initialization value). No temperature is being provided from an external sensor. Any other: (°C/x10°C/°F)
23	24	R	AC Real temperature setpoint ^{1,2,3,7} <ul style="list-style-type: none"> -32678 (Initialization value) 17..30 °C (°C/x10°C) 63..86 °F
66	67	R	Return path Temperature ^{1,2,3} <ul style="list-style-type: none"> -32768 (Initialization value) Ranges determined by the Manufacturer of the AC indoor unit. (°C/x10°C/°F)
97	98	R/W	Block Periodic Sendings ^{4,8,9} <ul style="list-style-type: none"> 0: Non-blocked (Default value) 1: Blocked

⁴ This value is stored in non-volatile memory

⁵ This register blocks the Remote Controller's communication installed in the MD-RC bus (if this one has been installed).

⁶ See section 7 for possible error codes and their explanation

⁷ See section 4.4 for more information

⁸ If the register is configured as "0: Non-blocked", all commands received from Modbus will be sent to the AC system. If "1: Blocked", commands from Modbus will only be sent to the AC system if they differ from the previous value (values sent on change).

⁹ This register applies to firmware version 1.0 onwards

4.2.2 Configuration Registers

Register Address (protocol address)	Register Address (PLC address)	R/W	Description
13	14	R/W	"Open Window" switch-off timeout ¹⁰ <ul style="list-style-type: none"> ▪ 0..30 (minutes) ▪ Factory setting: 30 (minutes)
14	15	R	Modbus RTU Baud rate <ul style="list-style-type: none"> ▪ 2400bps ▪ 4800bps ▪ 9600bps (Default Value) ▪ 19200bps ▪ 38400bps ▪ 57600bps ▪ 76800bps ▪ 115200bps
15	16	R	Device's Modbus Slave address <ul style="list-style-type: none"> ▪ 1..63
21	22	R	Max number of fan speeds
49	50	R	Device ID: 0x2200
50	51	R	Software version
99	100	W	Reset/Reboot device <ul style="list-style-type: none"> ▪ 1: Reset
2031	2032	R	Capacity ¹¹ <ul style="list-style-type: none"> ▪ 1: INBMSMID001I000 (1 Indoor Unit)

¹⁰ Once window contact is open, a count-down to switch off the AC Unit will start from this configured value.

¹¹ The value of this register depends on the N value (being N the number of max. indoor units that admits INBMSMID---I000)

4.3 Modbus Registers for INMBSMID004I000 / INMBSMID008I000 /INMBSMID032I000

All registers are type "16-bit unsigned Holding Register", and they use the Modbus big endian standard notation.

Important note: match Midea addressing before controlling from Modbus

All indoor units must be addressed in the range 0...63 in the Midea system. The register "Indoor Unit Address assignation" R/W, sets the indoor unit address to control with the gateway. Assigned address in this register must match the address set for every unit in the Midea system.

4.3.1 Global Control and status registers

These registers apply to each Indoor Unit connected to the interface.

Register Address (protocol address)	Register Address (PLC address)	R/W	Description
0	1	W	AC unit On/Off Global <ul style="list-style-type: none"> ▪ 0: Off ▪ 1: On
1	2	W	AC unit Mode Global ¹² <ul style="list-style-type: none"> ▪ 0: Auto ▪ 1: Heat ▪ 2: Dry ▪ 3: Fan ▪ 4: Cool
2	3	W	AC unit Fan Speed Global ¹² <ul style="list-style-type: none"> ▪ 0: Auto ▪ 1: SP1 ▪ 2: SP2 ▪ 3: SP3
3	4	W	AC unit Vane Position Global ¹² <ul style="list-style-type: none"> ▪ 0: Auto/Stop (Default value) ▪ 10: Swing
4	5	W	AC unit Temperature setpoint Global ^{12,13} <ul style="list-style-type: none"> ▪ -32678 (Initialization value) ▪ 17..30 °C (°C/x10°C) ▪ 63..86 °F
8	9	W	Remote lock ^{14,15} <ul style="list-style-type: none"> ▪ 0: Off (Default value) ▪ 1: On

¹² Available values will depend on the AC unit mode. Check the AC unit model functions in its user manual to know the possible values for this register.

¹³ Magnitude for this register can be adjusted to Celsius x 1°C, Celsius x 10°C (default) or Fahrenheit.

¹⁴ This value is stored in a non-volatile memory

¹⁵ This register blocks the Remote Controller's communication installed in the MD-RC bus (if this one has been installed).

4.3.2 Individual Control and status registers

These registers apply to each indoor unit connected to the interface. Notice that "n" stands for the Indoor Unit's index number (0...31) in the interface. You can change the address assigned to the index "n" by writing in register '1000 + 20*n + 9' the value of the desired IU's address (0...63).

Example: given a INMBSMID004I000 (the interface can control up to 4 indoor units), "n" stands for 0, 1, 2 and 3 and this index number is not related to the address inside the Midea system, which is managed in the register '1000 + 20*n + 9'.

Register Address (protocol address)	Register Address (PLC address)	R/W	Description
(1000 + 20*n + 0)	(1000 + 20*n + 1)	R/W	AC unit On/Off <ul style="list-style-type: none"> ▪ 0: Off ▪ 1: On
(1000 + 20*n + 1)	(1000 + 20*n + 2)	R/W	AC unit Mode ¹⁶ <ul style="list-style-type: none"> ▪ 0: Auto (Default value) ▪ 1: Heat ▪ 2: Dry ▪ 3: Fan ▪ 4: Cool
(1000 + 20*n + 2)	(1000 + 20*n + 3)	R/W	AC unit Fan Speed ¹⁶ <ul style="list-style-type: none"> ▪ 0: Auto (Default value) ▪ 1: SP1 ▪ 2: SP2 ▪ 3: SP3
(1000 + 20*n + 3)	(1000 + 20*n + 4)	R/W	AC unit Up/Down Vane Position ¹⁶ <ul style="list-style-type: none"> ▪ 0: Off (Default value) ▪ 10: Swing
(1000 + 20*n + 4)	(1000 + 20*n + 5)	R/W	AC unit Temperature setpoint ^{16,17,18} <ul style="list-style-type: none"> ▪ -32678 (Initialization value) ▪ 17..30 °C (°C/x10°C) ▪ 63..86 °F
(1000 + 20*n + 5)	(1000 + 20*n + 6)	R	AC unit Temperature reference ^{16,17,18} <ul style="list-style-type: none"> ▪ -32678 (Initialization value) ▪ Ranges determined by the Manufacturer of the AC indoor unit. (°C/x10°C/°F)
(1000 + 20*n + 6)	(1000 + 20*n + 7)	R	AC Alarm status <ul style="list-style-type: none"> ▪ 0: No Alarm ▪ 1: Alarm
(1000 + 20*n + 7)	(1000 + 20*n + 8)	R	AC Error Code ¹⁹ <ul style="list-style-type: none"> ▪ 0: No error active ▪ 65535 (-1 if it is read as signed value). Error in the communication of INMBSMID004I000 / INMBSMID008I000 / INMBSMID032I000 with the AC unit ▪ Any other error present, see the table at the end of this document.
(1000 + 20*n + 8)	(1000 + 20*n + 9)	R/W	Remote lock ^{20,21} <ul style="list-style-type: none"> ▪ 0: Off (Default value) ▪ 1: On

¹⁶ Available values will depend on the AC unit mode. Check the AC unit model functions in its user manual to know the possible values for this register.

¹⁷ Magnitude for this register can be adjusted to Celsius x 1°C, Celsius x 10°C (default) or Fahrenheit.

¹⁸ It is not possible turn to x10 the value shown in Fahrenheit.

¹⁹ See section 7 for possible error codes and their explanation.

²⁰ This value is stored in a non-volatile memory

²¹ This register blocks the Remote Controller's communication installed in the MD-RC bus (if this one has been installed).

(1000 + 20*n + 9)	(1000 + 20*n + 10)	R/W	Indoor Unit Address assignation in n <ul style="list-style-type: none"> ▪ Address range: 0..63
-------------------	--------------------	-----	---

Configuration Registers

Register Address (protocol address)	Register Address (PLC address)	R/W	Description
2000	2001	R	Device ID: 0x2200
2031	2032	R	Capacity ²² <ul style="list-style-type: none"> ▪ 4: INMBSMID004I000 (4 Indoor Units) ▪ 8: INMBSMID008I000 (8 Indoor Units) ▪ 32: INMBSMID0032I000 (32 Indoor Units)
2040	2041	R	Modbus RTU Baud rate <ul style="list-style-type: none"> ▪ 2400bps ▪ 4800bps ▪ 9600bps (Default) ▪ 19200bps ▪ 38400bps ▪ 57600bps ▪ 76800bps ▪ 115200bps
2041	2042	R	Device's Modbus Slave address <ul style="list-style-type: none"> ▪ 1..63
2050	2051	R	Software version
2099	2100	W	Reset/Reboot device <ul style="list-style-type: none"> ▪ 1: Reset

²² The value of this register depends on the N value (being N the number of max. indoor units that admits INMBSMID004I000 / INMBSMID008I000 / INMBSMID0032I000)

4.4 Considerations on Temperature Registers

The next information refers to INBSMID001I000 and may not apply to INBSMID004I000 / INBSMID008I000 /INBSMID032I000.

- **AC unit temperature setpoint (R/W)**

(register 4 – in Protocol address / register 5 – in PLC address):

This is the adjustable temperature setpoint value required by the user.

This register can be read (Modbus function 3 or 4) or written (Modbus functions 6 or 16). If present, a remote controller connected to the Midea indoor unit will report the same temperature setpoint value as this register, but only will happen when no AC unit's external reference is provided from INBSMID001I000 (see detail for register 22/23 below).

- **AC unit temperature reference (R)**

(register 5 – in Protocol address / register 6 – in PLC address):

This register reports the temperature that is currently used by the Midea indoor unit as the reference of its own control loop. Depending on the configuration of the indoor unit, this value can be the temperature reported by the sensor on the return path of the Midea indoor unit or the sensor of its remote controller. It is a read-only register (Modbus functions 3 or 4).

- **AC unit external temperature reference (Modbus) (R/W)**

(register 22 – in Protocol address / register 23 – in PLC address):

This register allows to provide an external temperature's value from the Modbus side. The Midea indoor unit does not allow to provide an external temperature to be used as a reference of the control loop of the AC indoor unit. In order to overcome this limitation and enable the usage of an external temperature sensor (i.e. from Modbus side), INBSMID001I000 applies the following mechanism (only if "external temperature's reference" is being used):

- After a couple of values have been entered in the "AC unit external temperature's reference" (register 22/23) and "AC unit temperature set point" (register 4/5), INBSMID001I000 is going to estimate the chosen temperature differences (e.g. if a "temperature setpoint (register 4/5)" of **22°C**, and an "external temperature reference (register 22/23)" of **20°C** are entered, INBSMID001I000 will assume that the user is demanding a **+2°C** increase in temperature).
- By knowing at any time the ambient temperature currently used by the indoor unit to control its own operation (register 5/6), INBSMID001I000 can calculate the required temperature setpoint needed to apply the decrease/increase on the real temperature and reach the temperature chosen by the user (following the example above, if INBSMID001I000 reads an "ambient temperature" (register 5/6) of **24°C** in the indoor unit, it will apply a final setpoint of **24°C + 2°C = 26°C**).
- At this moment, each time that INBSMID001I000 detects a change on the ambient temperature reported by the indoor unit (register 5/6), it will also change the required setpoint, in order to keep the temperature required by the user at any time. If we follow the last example, if INBSMID001I000 receives a new temperature's value coming from the indoor unit of **25°C**, INBSMID001I000 will automatically adjust the temperature setpoint required of the AC indoor unit to **25°C + 2°C = 27°C**).

- In general, INMBSMID001I000 is constantly applying the "Virtual Temperature" formula:

$$S_{AC} = S_u - (T_u - T_{AC})$$

Where:

- S_{AC} - setpoint value currently applied to the indoor unit
- S_u - setpoint value written at Modbus side (register 4/5)
- T_u - external temperature reference written at Modbus side (register 22/23)
- T_{AC} - ambient temperature that the indoor unit is using as the reference of its own control loop (register 5/6)

When INMBSMID001I000 detects a change in any of the values of $\{ S_u, T_u, T_{AC} \}$, it will send the new setpoint (S_{AC}) to the indoor unit.

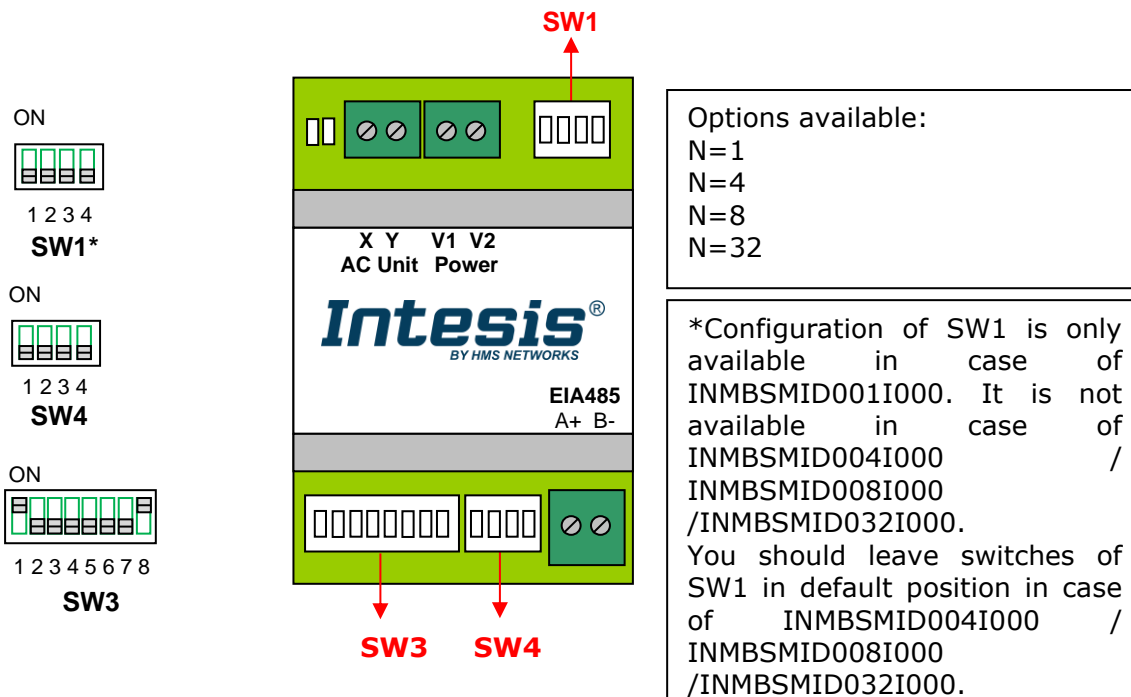
- After the startup, the value for "external temperature's reference" (register 22/23) has a value -32768 (0x8000). This value means that no external temperature reference is being provided through INMBSMID001I000. In this scenario, the setpoint value shown in register 4/5 will always be the same as the current setpoint value of the indoor unit. AC indoor unit will use its own return path temperature sensor as reference for its control loop.
 - When the mechanism of "Virtual Temperature" is applied. The temperature setpoint's value shown by the Remote Controller from Midea connected to the indoor unit shall show a different value from the value shown in register 4/5. Instead it shall show the calculated Virtual Setpoint.
- **AC Real temperature setpoint (R)**
(register 23 – In Protocol address / register 24 – in PLC address):
As detailed on the previous point, the real temperature setpoint in the indoor unit and the temperature setpoint requested from INMBSMID001I000 might differ (when a value in register 22/23 – "external temperature reference" is entered). This register always informs about the current temperature setpoint, used by the indoor unit – this is the actual setpoint that will be shown by an additional remote controller if present.

Moreover, notice that temperature's values of all these three registers are expressed according to the temperature's format configured through its onboard DIP-Switches. The following formats are possible:

- **Celsius value:** Value in Modbus register is the temperature value in Celsius (i.e. a value "22" in the Modbus register must be interpreted as 22°C).
- **Decicelsius value:** Value in Modbus register is the temperature value in decicelsius (i.e. a value "220" in the Modbus register must be interpreted as 22.0°C).
- **Fahrenheit value:** Value in Modbus register is the temperature value in Fahrenheit (i.e. a value "72" in the Modbus register must be interpreted as 72°F (~22°C)).

4.5 DIP-switch Configuration Interface

All the configuration values on INMBSMID---I000 can be written and read from Modbus interface. Otherwise, some of them can also be setup from its on-board DIP-switch interface. The device has DIP-switches SW1, SW3 and SW4 on the following locations:



The following tables apply to the interface's configuration through DIP-switches:

SW1 – AC indoor unit's features

SW1-P1..4	Description
	AC Unit does not have AUTO mode (Default value)
	AC Unit has AUTO mode
	AC Unit does not have DRY mode (Default value)
	AC Unit has DRY mode
	AC Unit does not have fan AUTO mode (Default value)
	AC Unit has fan AUTO mode
	AC Unit has 2 fan speeds (Default value)
	AC Unit has 3 fan speeds

Table 4.1 SW1: AC indoor unit's features

SW3/SW4 – Baud rate configuration

SW3-P7..8	SW4-P3	Description
		2400bps
		4800bps
		9600bps (Default value)
		19200bps
		38400bps
		57600bps
		76800bps
		115200bps

Table 4.2 SW3-SW4: Modbus baud rate

SW4 – Degrees/Decidegrees (x10), temperature magnitude (°C/°F) and EIA-485 termination resistor.

SW4-P1..2-4	Description
	Temperature values in Modbus register are represented in degrees (x1) (Default value)
	Temperature values in Modbus register are represented in decidegrees (x10)
	Temperature values in Modbus register are represented in Celsius degrees (Default value)
	Temperature values in Modbus register are represented in Fahrenheit degrees
	EIA-485 bus without termination resistor (Default value)
	Internal termination resistor of 120Ω connected to EIA-485 bus

Table 4.3 SW4: Temperature and termination resistor configuration

SW3 – Modbus Slave address

Add	SW3-P1..6	Add	SW3-P1..6	Add	SW3-P1..6	Add	SW3-P1..6	Add	SW3-P1..6
0	ON [Diagram]	13	ON [Diagram]	26	ON [Diagram]	39	ON [Diagram]	52	ON [Diagram]
1	ON [Diagram]	14	ON [Diagram]	27	ON [Diagram]	40	ON [Diagram]	53	ON [Diagram]
2	ON [Diagram]	15	ON [Diagram]	28	ON [Diagram]	41	ON [Diagram]	54	ON [Diagram]
3	ON [Diagram]	16	ON [Diagram]	29	ON [Diagram]	42	ON [Diagram]	55	ON [Diagram]
4	ON [Diagram]	17	ON [Diagram]	30	ON [Diagram]	43	ON [Diagram]	56	ON [Diagram]
5	ON [Diagram]	18	ON [Diagram]	31	ON [Diagram]	44	ON [Diagram]	57	ON [Diagram]
6	ON [Diagram]	19	ON [Diagram]	32	ON [Diagram]	45	ON [Diagram]	58	ON [Diagram]
7	ON [Diagram]	20	ON [Diagram]	33	ON [Diagram]	46	ON [Diagram]	59	ON [Diagram]
8	ON [Diagram]	21	ON [Diagram]	34	ON [Diagram]	47	ON [Diagram]	60	ON [Diagram]
9	ON [Diagram]	22	ON [Diagram]	35	ON [Diagram]	48	ON [Diagram]	61	ON [Diagram]
10	ON [Diagram]	23	ON [Diagram]	36	ON [Diagram]	49	ON [Diagram]	62	ON [Diagram]
11	ON [Diagram]	24	ON [Diagram]	37	ON [Diagram]	50	ON [Diagram]	63	ON [Diagram]
12	ON [Diagram]	25	ON [Diagram]	38	ON [Diagram]	51	ON [Diagram]		

Table 4.4 SW3: Modbus Slave address

4.6 Implemented Functions

INMBSMID---I000 implements the following standard Modbus functions:

- 3: Read Holding Registers
- 4: Read Input Registers
- 6: Write Single Register
- 16: Write Multiple Registers (Despite this function is allowed, the interface does not allow to write operations on more than 1 register with the same request, this means that length field should always be 1 when this function is being used for writing)

4.7 Device LED indicator

The device includes LED indicators to show all the possible operational states. In the following table you will find the possible indication combinations and its meaning.

L1 (green LED)

Device status	LED indication	ON / OFF Period	Description
During faulty operation	LED blinking	500ms ON / 500ms OFF	Communication error
During normal operation	LED flashing	100ms ON / 1900ms OFF	Normal operation (configured and working properly)

L2 (red LED)

Device status	LED indication	ON / OFF Period	Description
During faulty operation	LED Pulse	3sec ON / --- OFF	Under voltage occurs.

L1 (green LED) & L2 (red LED)

Device status	LED indication	ON / OFF Period	Description
During normal operation	LED Pulse	5sec ON / --- OFF	Device Start-up
During faulty operation	LED alternatively blinking	500ms ON / 500ms OFF	Flash checksum not OK

4.8 EIA-485 bus. Termination resistors and Fail-Safe Biasing mechanism

EIA-485 bus requires a 120Ω terminator resistor at each end of the bus to avoid signal reflections.

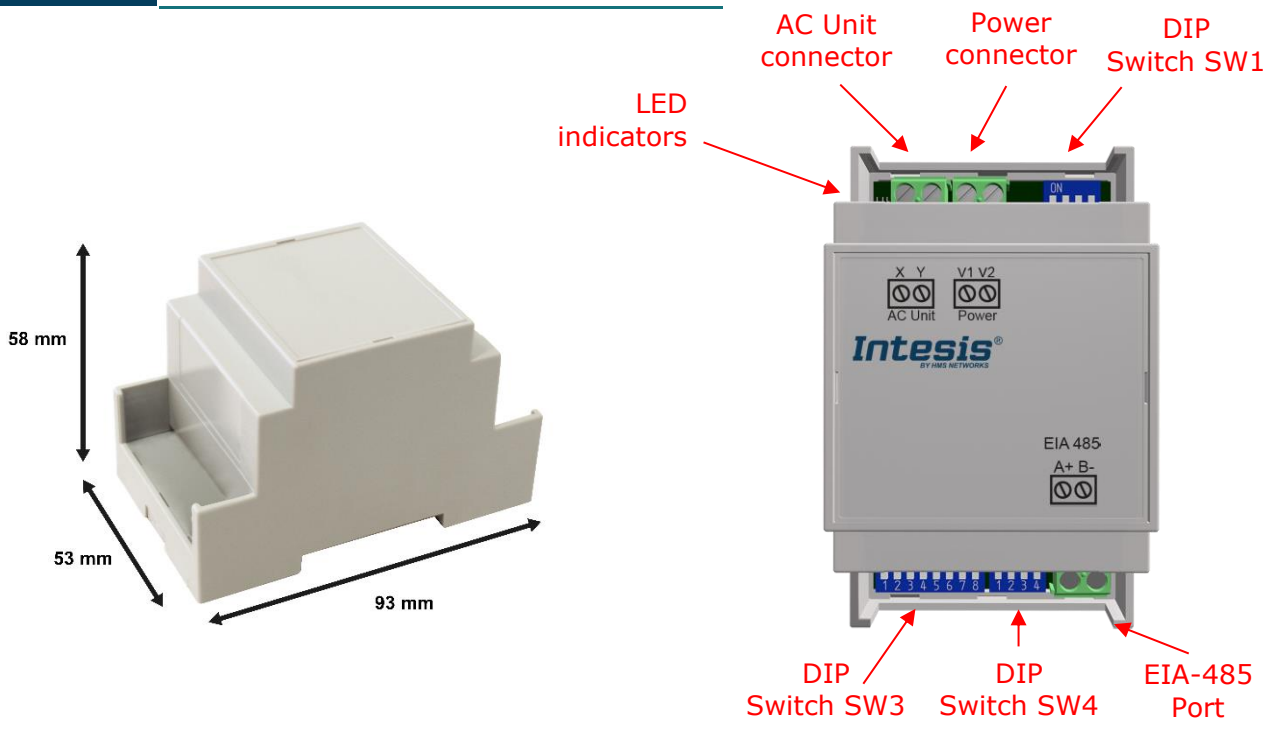
In order to prevent fail status detections by the receivers, which are "*listening*" the bus, when all the transmitters' outputs are in three-state (high impedance), a fail-safe biasing mechanism is required. This mechanism provides a safe status (a correct voltage level) in the bus when all the transmitters' outputs are in three-state.

The INMBSMID---I000 device includes an on-board terminator resistor of 120Ω that can be connected to the EIA-485 bus by using DIP-switch SW4.

Some Modbus RTU EIA-485 Master devices can provide also internal 120Ω terminator resistor and/or fail-safe biasing. Check the technical documentation of the Master device connected to the EIA-485 network in each case.

5 Electrical and Mechanical features

Enclosure	Plastic, type PC (UL 94 V-0) Net dimensions (dxwxh): 93 x 53 x 58 mm / 3.7" x 2.1" x 2.3" Color: Light Grey. RAL 7035	Operation Temperature	0°C to +60°C
Weight	85 g.	Stock Temperature	-20°C to +85°C
Mounting	Wall DIN rail EN60715 TH35.	Operational Humidity	<95% RH, non-condensing
Terminal Wiring (for low-voltage signals)	For terminal: solid wires or stranded wires (twisted or with ferrule) 1 core: 0.5mm ² ... 2.5mm ² 2 cores: 0.5mm ² ... 1.5mm ² 3 cores: not permitted	Stock Humidity	<95% RH, non-condensing
Modbus RTU port	1 x Serial EIA485 Plug-in screw terminal block (2 poles) A, B Compatible with Modbus RTU EIA-485 networks	Isolation voltage	1500 VDC
AC unit port	1 x XYE bus Plug-in screw terminal block (2 poles): X, Y Compatible with Midea networks	Isolation resistance	1000 MΩ
Power port	1 x V1 V2 Power screw terminal block (2 poles): V1, V2		
Switch 1 (SW1)	1 x DIP-Switch for AC features	Protection	IP20 (IEC60529)
Switch 3 (SW3)	1 x DIP-Switch for Modbus RTU settings	LED indicators	2 x Onboard LED - Operational status
Switch 4 (SW4)	1 x DIP-Switch for extra functions		



6 List of supported AC Unit Types

A list of Midea indoor unit model's references compatible with INMBSMID---I000 and its available features can be found in:

https://www.intesis.com/docs/compatibilities/inxxxmid0xxi000_compatibility