

## INMBSRTR0320000 Modbus RTU to Modbus TCP Router

Order Codes:  
INMBSRTR0320000 (32 full-load devices)



### HOW IT WORKS

The Intesis **INMBSRTR0320000** Router has been specially designed to route messages between Modbus RTU and Modbus TCP networks.

Intesis acts as a transparent gateway between Modbus RTU and Modbus TCP networks, making its configuration simple and fast. It makes accessible Modbus RTU devices, its registers and resources to a Modbus TCP client BMS or controller. When the gateway receives a Modbus TCP packet from the TCP network, it simply routes the packet to the serial port.

Modbus TCP devices are connected through the Ethernet port, while Modbus RTU devices are connected to the serial port of the gateway.

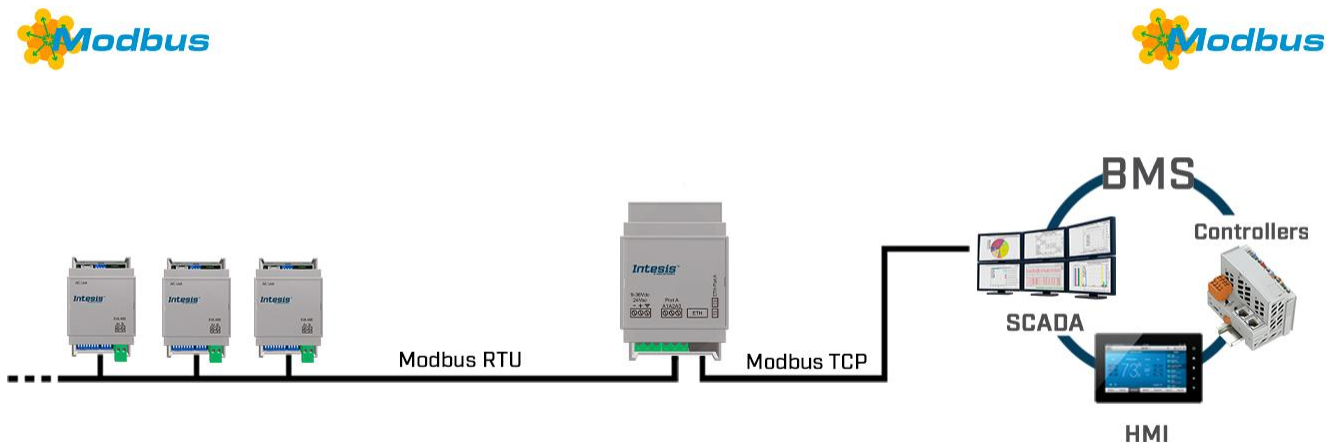
Configuration project is done through Intesis MAPS.



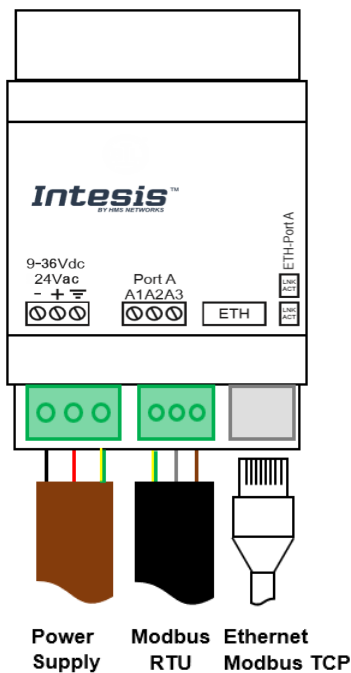
### FEATURES

- Support for up to 5 simultaneous Modbus TCP Clients
- Support for up to 32 full-load RTU devices
- Modbus diagnose signals available in both MAPS and as Modbus registers
- Configuration through IP
- Onboard LED indicators to provide easy to check communication status on both the Ethernet and serial ports
- Includes Intesis MAPS with automatic updates for both Intesis MAPS and Gateway's firmware
- UL certification

### INTEGRATION EXAMPLE



## CONNECTIONS



## PROTOCOLS



Modbus Protocol is a de facto standard, truly open and the most widely used network protocol in the industrial manufacturing environment. Modbus is used in multiple applications to monitor and program devices; to communicate between intelligent devices, sensors and instruments; to monitor field devices using PCs and HMIs.

But Modbus is not only an industrial protocol. Building, infrastructure, transportation and energy applications also make use of its benefits.

For further information visit [www.modbus.org](http://www.modbus.org)

## COMMUNICATION

Connection	Modbus	
	RTU	TCP
Connection	EIA485 (3 wire isolated)	10BASE-T 100BASE-TX
Date rate	2.4, 4.8, 9.6, 19.2, 38.4, 57.6, 115.2kbps	10 Mbps 100 Mbps
Data Types & Functions supported	All supported by clients	

## ELECTRICAL & MECHANICAL FEATURES

<b>Enclosure</b>	Plastic, type PC (UL 94 V-0) Net dimensions (dxwxh): 93x53x58 mm Recommended space for installation (dxwxh): 100x60x70mm Color: Light Grey. RAL 7035
<b>Mounting</b>	Wall. DIN rail EN60715 TH35.
<b>Terminal Wiring</b> (for power supply and low-voltage signals)	Per terminal: solid wires or stranded wires (twisted or with ferrule) 1 core: 0.5mm <sup>2</sup> ... 2.5mm <sup>2</sup> 2 cores: 0.5mm <sup>2</sup> ... 1.5mm <sup>2</sup> 3 cores: not permitted
<b>Power</b>	1 x Plug-in screw terminal block (3 poles) Positive, Negative, Earth 9-36 VDC / 24 VAC / 50-60 Hz / 0.140 A / 1.7 W
<b>Ethernet</b>	1 x Ethernet 10/100 Mbps RJ45 2 x Ethernet LED: port link and activity
<b>Port</b>	1 x Serial EIA485 (Plug-in screw terminal block 3 poles) A, B, SGND (Reference ground or shield) 1500VDC isolation from other ports
<b>Operation Temperature</b>	0°C to +60°C
<b>Operational Humidity</b>	5 to 95%, no condensation
<b>Protection</b>	IP20 (IEC60529)

