



PART NAME

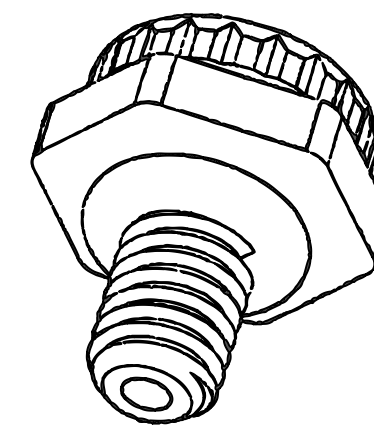
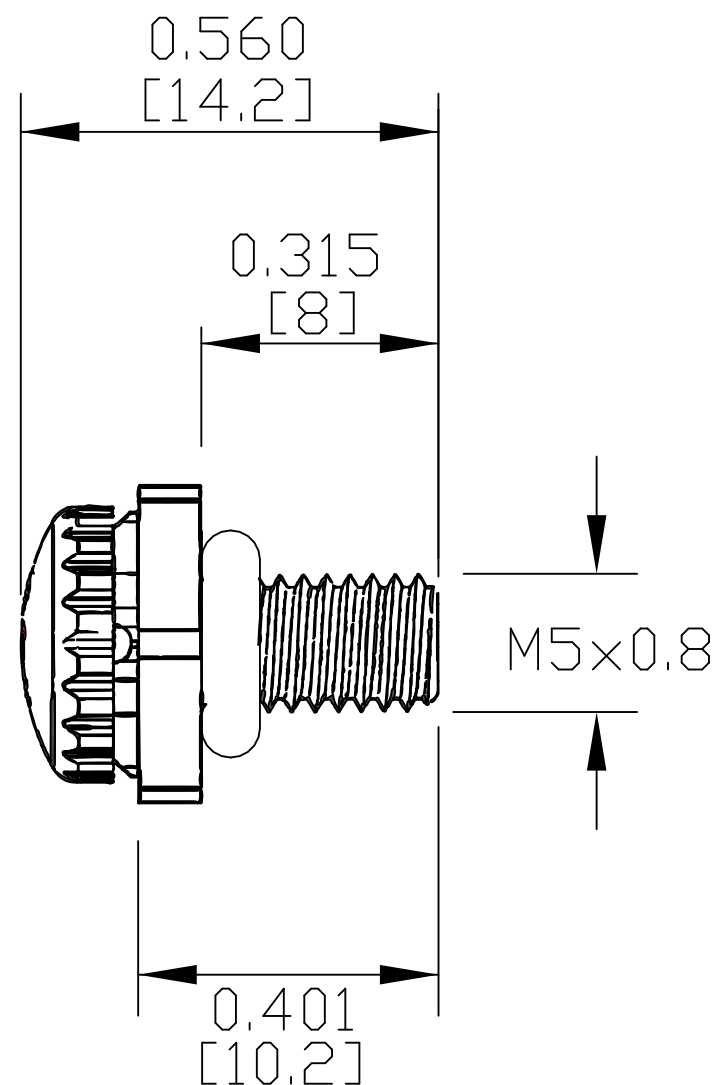
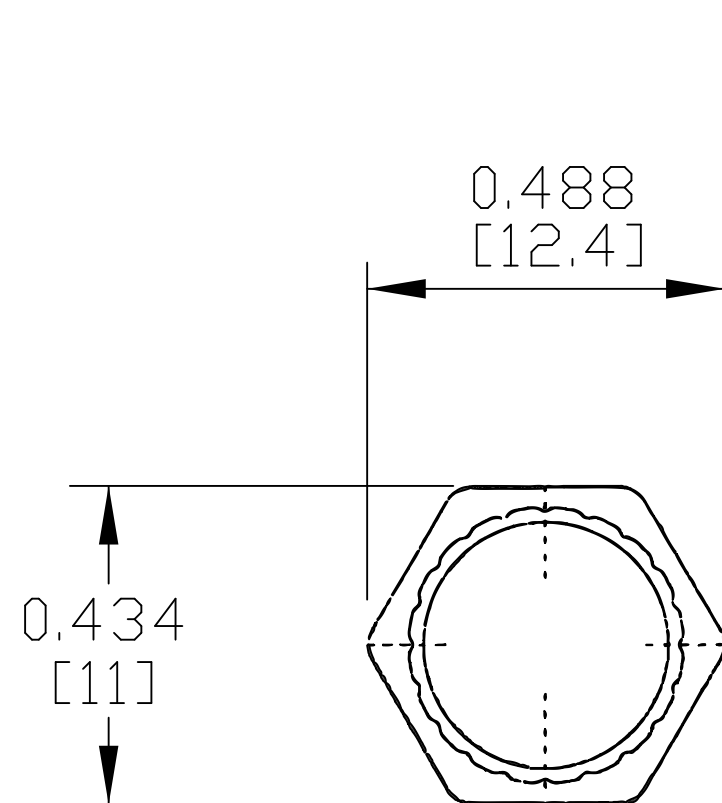
M5 X 0.8 VENT PLUG WITH O-RING WASHER

PART No.

IPV-67501-B & IPV-67501-G

REV. DATE

5/30/19



DRAWING FOR REFERENCE
 WE RESERVE THE RIGHT TO MAKE CHANGES TO OUR
 STANDARD PRODUCTS. PLEASE CONSULT WITH BUD INDUSTRIES
 PRIOR TO USING THIS DRAWING FOR DESIGN PURPOSE.

- NOTES:
- 1- BODY MATERIAL - PC (IP67)
 MEMBRANE MATERIAL - e-PTFE
 O-RING WASHER MATERIAL - SILICONE
 - 2- FINISH - (-B) BLACK & (-G) GRAY
 - 3- DIMENSIONS ARE INCH
 [MM]