



IQS722CEV01 USER GUIDE

IQ Switch® - ProxFusion® Series

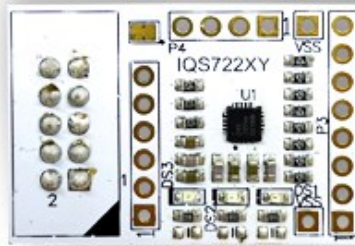




Table of Contents

IQS7222CEV01 USER GUIDE.....	1
1 INTRODUCTION	3
2 SETTING UP FOR THE IQS7222C STAMP	4
3 REFERENCE DESIGNS	6



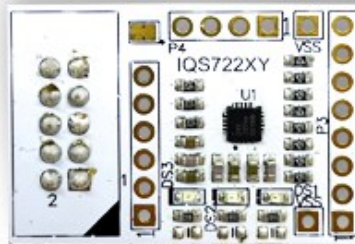
1 Introduction

This user guide describes the operation of the IQS7222CEV01 Evaluation Kit. The EV-Kit consists of one part:

- IQS7222C Stamp x 1

Please note CT210A is not included in this EV-Kit.

To visualise raw data from the EV-Kit, the stamp board can be interfaced to any personal computer with USB support, along with the CT210A and the relevant IQS7222C software Graphical User Interface (GUI) available to download from the Azoteq website. The purpose of the IQS7222CEV01 EV-Kit is to help application and development engineers in evaluating these IC's capabilities. A picture of the evaluation kit is shown below.





2 Setting up for the IQS7222C Stamp

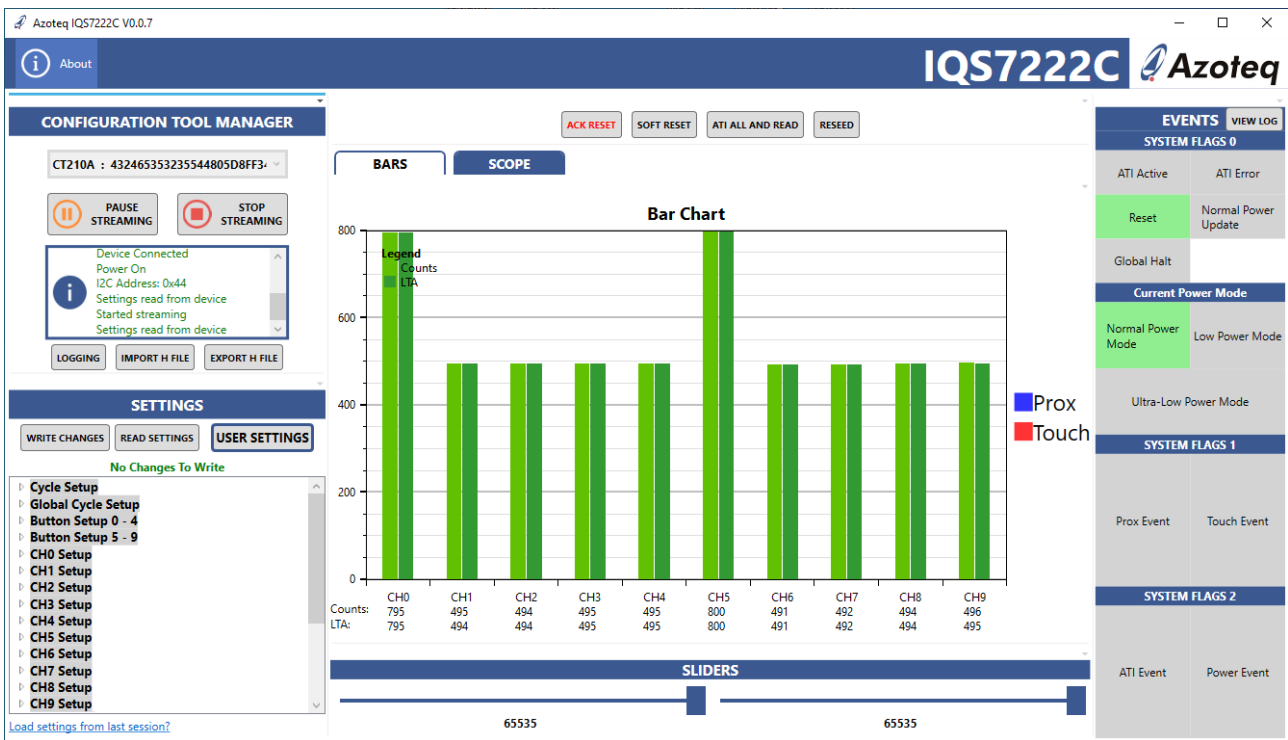
To interface the IQS7222C Stamp to a PC we advise using the CT210A. This EV Kit can be setup with the following steps:

- Download & Install GUI from Azoteq website
- Plug the stamp board into the CT210A as shown below





- Connect the CT210A to the PC with a USB cable (use USB data cable only)
- Run the IQS7222C GUI (latest version available from the www.azoteq.com website)
- Click “Start Streaming” button
- GUI should look as follow.





3 Reference Designs

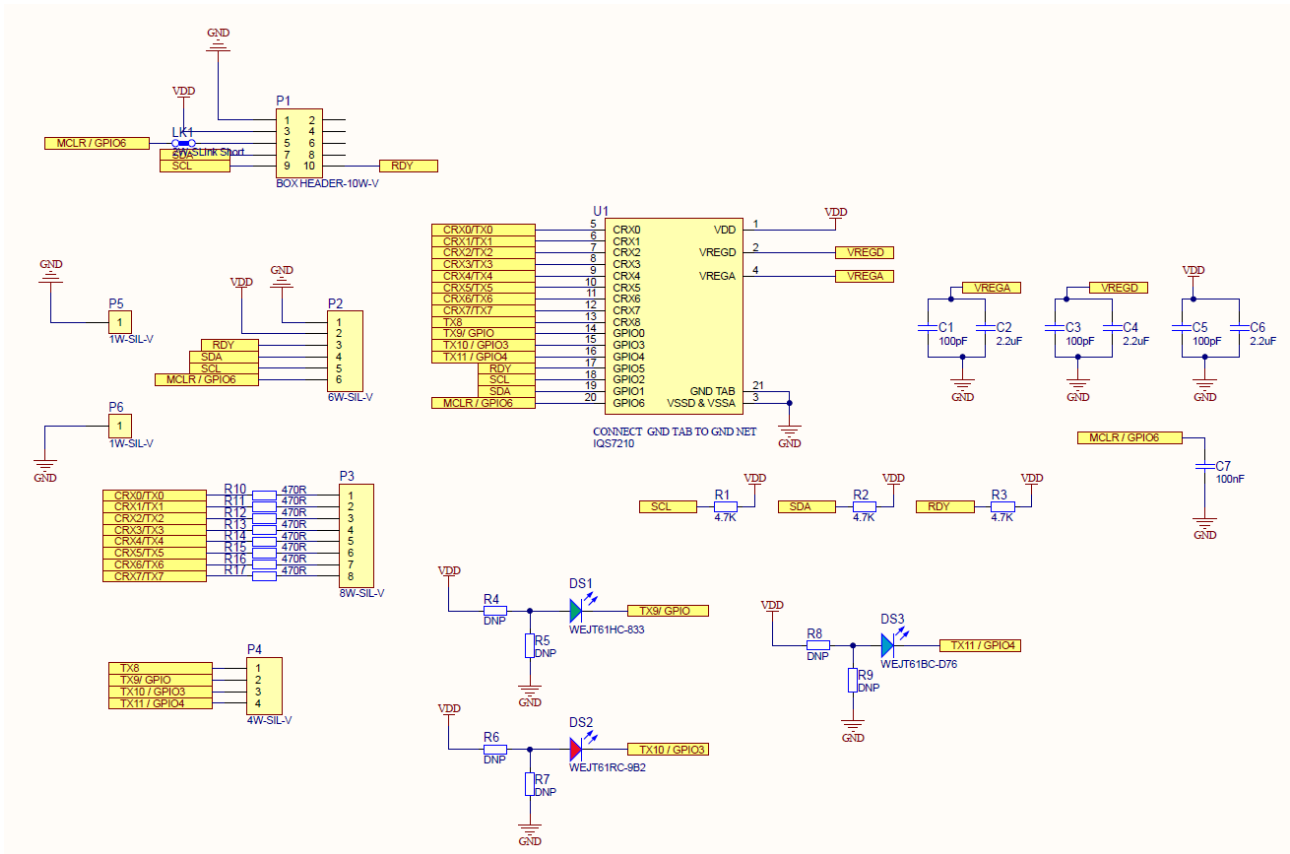


Figure 3-1 IQS7222C QFN20 Stamp Layout