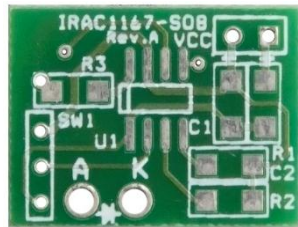
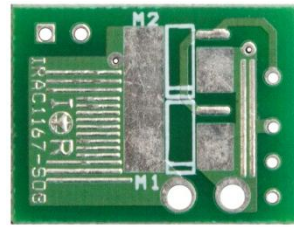


IR1167, IR11662, IR11672 – SO8 Daughter Card

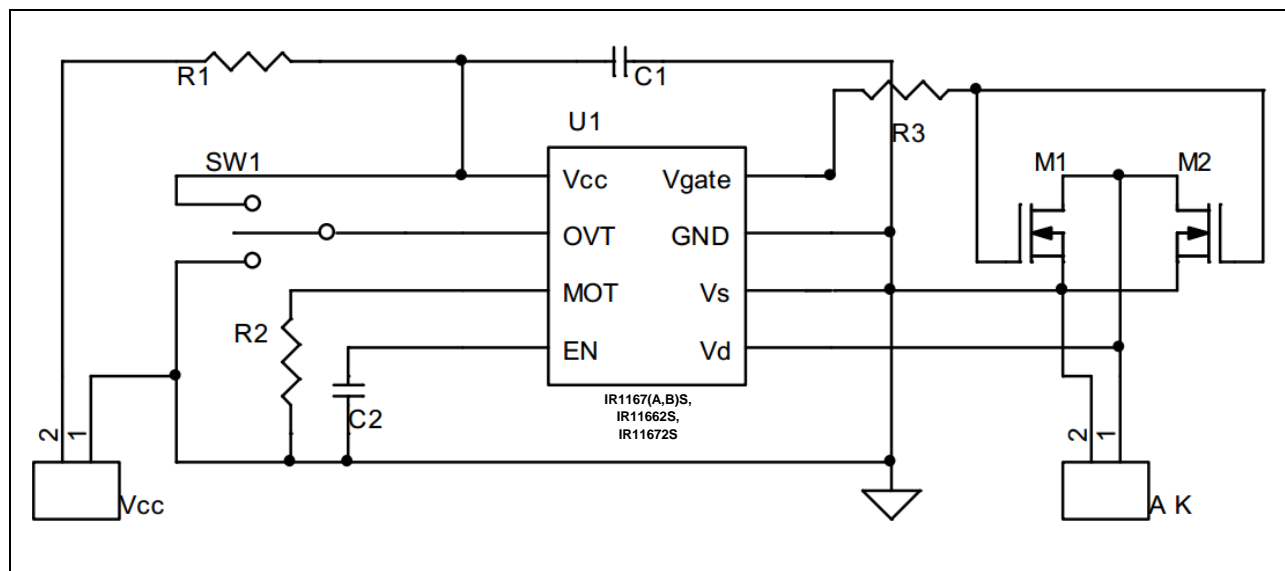


(top)



(bottom)

The schematic for the daughter board is shown below.



ID	SMD Size	Description
U1	SOIC8	IR1167(A,B)S, IR11662S, IR11672S
R1	1206	V _{CC} Series Resistor
R2	1206	MOT Resistor
R3	2010	Gate Resistor
C1	1210	Decoupling Capacitor
C2	1206	Enable Capacitor
M1, M2	SOIC8	Synchronous FETs

SW1 needs to be set according to the following table (See **AN1087** for details)

System Mode of Operation	OVT connected to (typical values)
DCM or CrCM	Ground, V _{TH1} = -3.5mV
Boundary CCM	Floating, V _{TH1} = -10.5mV
CCM	V _{CC} , V _{TH1} = -19mV

The daughter card shown above is designed to allow easy retrofitting in existing systems with minimal changes.