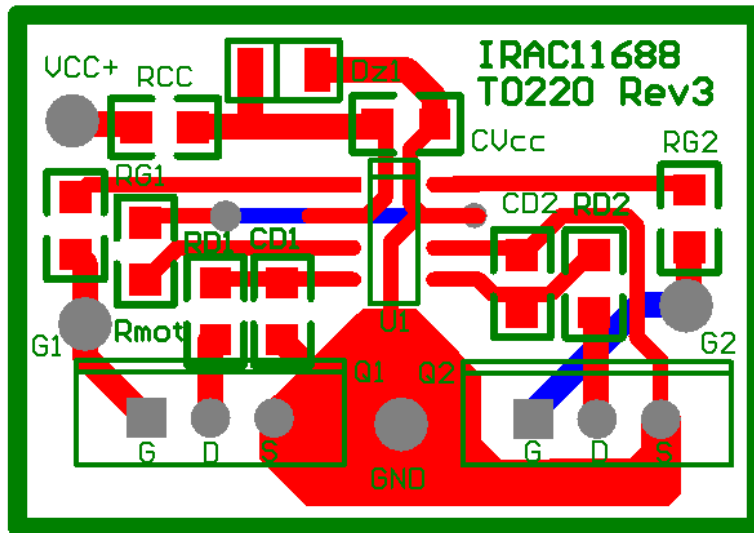
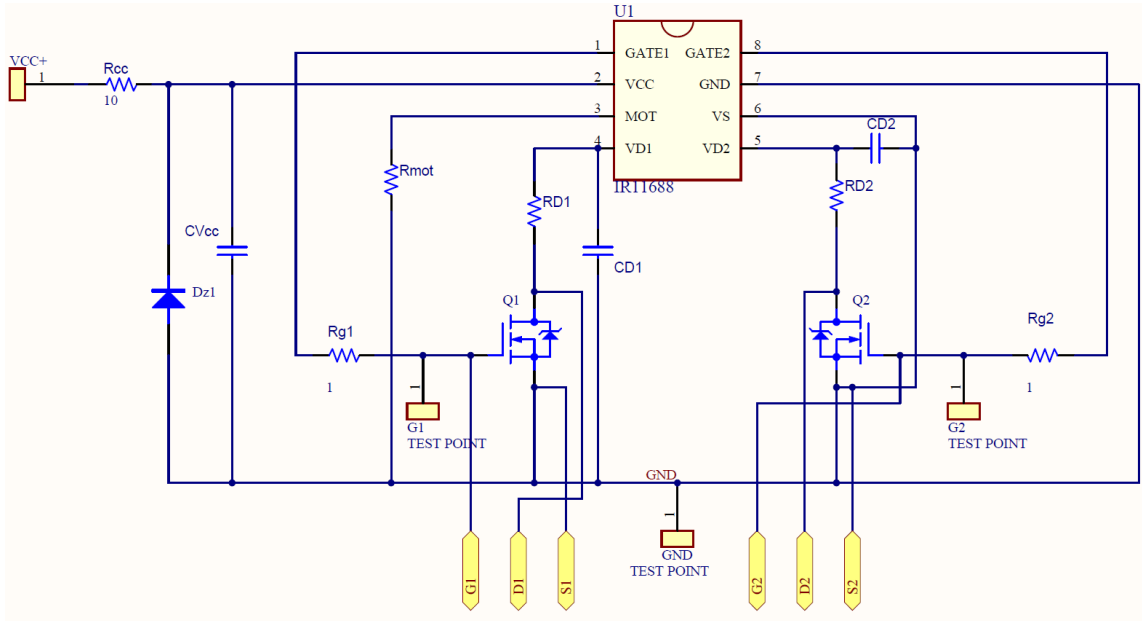


IR11688 TO220 Daughter Card

IRAC11688-TO220

The schematic and PCB layout of the TO220 daughter board are shown below



The daughter card shown above is designed to allow easy retrofit in existing systems with minimal system changes. The component values are recommended but user has freedom to change them per application requirement.

$MOT \approx 1\mu s$  at  $47k\Omega$  Rmot. This resistor can be changed per application requirement.

Rcc	$10\Omega \sim 510\Omega$
CVcc	1uF
Dz1	12V zener or N/C
Rmot	$47k\Omega$
Rg1, Rg2	$1\Omega$
RD1, RD2	$1\Omega$
CD1, CD2	N/C
Q1, Q2	