



INDUCTIVE SENSORS

Ø 4

10÷30 Vdc - 3 WIRES NPN OR PNP OUTPUT

- 0,8 mm operating distance - shielded
- NO output

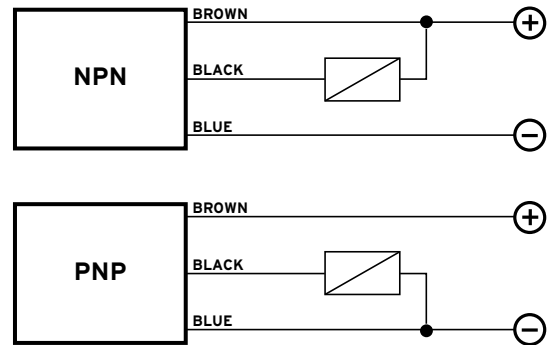
IS Series



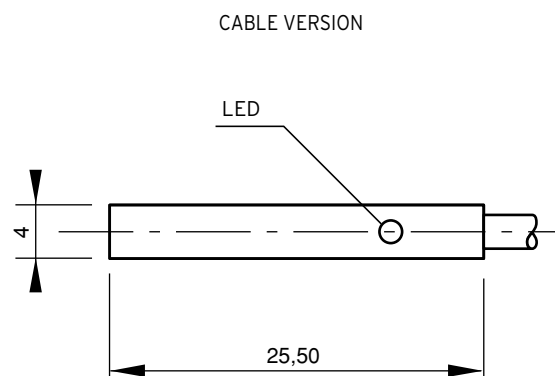
TECHNICAL DATA

| | SHIELDED |
|--------------------------|---|
| OPERATING DISTANCE (Sn) | 0.8 mm |
| POWER SUPPLY | 10 ÷ 30 Vdc (-15 / +10%) |
| RIPPLE | ≤ 10% |
| HYSTERESIS | < 10% |
| OUTPUT CURRENT | 100 mA max. |
| CONSUMPTION | ≤ 10 mA @ 24 Vdc |
| SATURATION VOLTAGE | < 1 V (I = 100 mA) |
| INDICATORS | Yellow LED |
| SWITCHING FREQUENCY | 2000 Hz |
| DELAY AT POWER ON | ≤ 50 ms |
| REPEATABILITY | ≤ 1% |
| SHORT CIRCUIT PROTECTION | Present (self-resetting) |
| PROTECTIONS CIRCUIT | Against polarity reversal - inductive loads |
| OPERATING TEMPERATURE | -25 ÷ +60 °C |
| MECHANICAL PROTECTION | IP67 |
| CONNECTIONS | 2 m cable (3 x 0.14 mm ²) |
| HOUSING MATERIAL | Stainless steel |
| WEIGHT | 50 g cable version |

CONNECTIONS



DIMENSIONS (mm)





MODEL SELECTION TABLE

| DIAMETER | CONSTRUCTION | OUTPUT | CONNECTION |
|------------|---|-------------------------------|-------------------|
| 04 = 4 mm | A= shielded standard housing | 1 = 10-30 Vdc PNP NO | 02 = 500 mm CABLE |
| 05 = 5 mm | B= shielded short housing | 2 = 10-30 Vdc PNP NC | 03 = 2 m CABLE |
| 08 = 8 mm | C= unshielded standard housing | 3 = 10-30 Vdc NPN NO | S1 = M8 CONN. |
| 12 = 12 mm | D= unshielded short housing | 4 = 10-30 Vdc NPN NC | S2 = M12 CONN. |
| 18 = 18 mm | E= shielded standard housing, double operating distance | 5 = 10-30 Vdc PNP NO-NC | |
| 30 = 30 mm | F= unshielded standard housing, double operating distance | 6 = 10-30 Vdc NPN NO-NC | |
| | G= shielded short housing, double operating distance | 7 = 24-230 Vac - 2 wires NO | |
| | H= unshielded short housing, double operating distance | 8 = 24-230 Vac - 2 wires NC | |
| | I= shielded standard metal housing | 9 = 10-30 Vac - 2 wires NO-NC | |
| | L= unshielded standard metal housing | 0 = 12-30 Vac - 4 wires | |

PRODUCT TABLE

| DESCRIPTION | CONNECTION | SHIELDED | HOUSING | ORDER CODE |
|-------------|------------|----------|----------|------------|
| IS-04-A1-03 | 2 m CABLE | yes | standard | 95B061010 |
| IS-04-A3-03 | 2 m CABLE | yes | standard | 95B061000 |