



INDUCTIVE SENSORS

Ø 30

10 ÷ 30 Vdc - 3 WIRES NPN OR PNP OUTPUT

- 10 mm to 15 mm operating distance - shielded, unshielded
- Short housing models
- Cable or M12 connector models
- Output status LED

IS Series

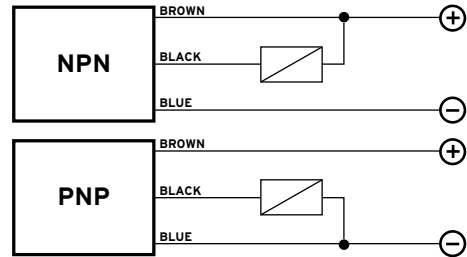


TECHNICAL DATA

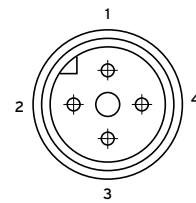
| | SHIELDED | UNSHIELDED |
|--------------------------|---|------------|
| OPERATING DISTANCE (Sn) | 10 mm | 15 mm |
| POWER SUPPLY | 10 ÷ 30 Vdc (-15 / +10%) | |
| RIPPLE | ≤ 10% | |
| HYSTERESIS | < 10% | |
| OUTPUT CURRENT | 200 mA max. | |
| CONSUMPTION | < 10 mA @ 24 Vdc | |
| SATURATION VOLTAGE | < 1.8 V (I = 100 mA) | |
| INDICATORS | Yellow LED | |
| SWITCHING FREQUENCY | 300 Hz | |
| DELAY AT POWER ON | ≤ 50 ms | |
| REPEATABILITY | ≤ 3% | |
| SHORT CIRCUIT PROTECTION | Present (self-resetting) | |
| PROTECTIONS CIRCUIT | Against polarity reversal - inductive loads | |
| OPERATING TEMPERATURE | - 25 ÷ +60 °C | |
| MECHANICAL PROTECTION | IP67 | |
| CONNECTIONS | 2 m cable (3 x 0.25 mm ²) | |
| HOUSING MATERIAL | Nickel-plated brass | |
| WEIGHT | 210 g cable version | |
| | 170 g M12 connector cable | |

⁽⁴⁾ Device marking II 3D IP67 T6X.

CONNECTIONS



M12 CONNECTOR

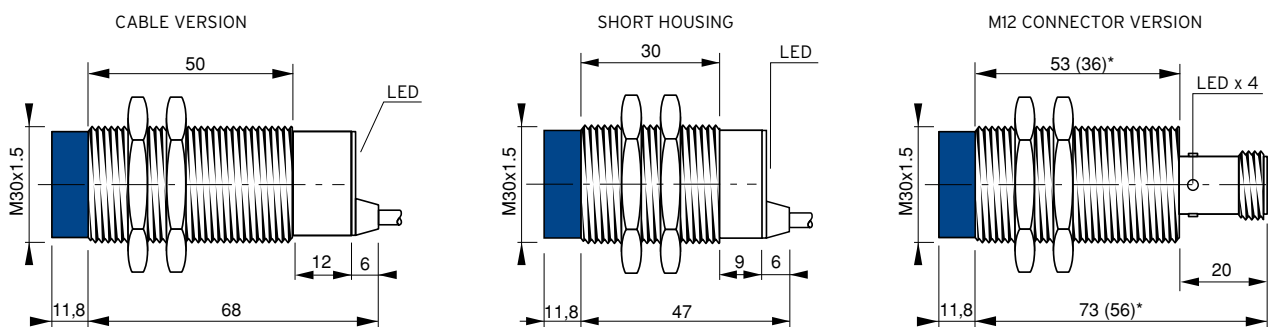


View of quadripole male connector

CONFIGURATION

| Outputs | PIN numbers | | | |
|------------|-------------|---|---|-------|
| | 1 | 2 | 3 | 4 |
| (NO or NC) | + | | - | NO/NC |

DIMENSIONS (mm)



(*) The dimensions in brackets refer to short housing models
Note: the front part in blue is valid only for unshielded models



MODEL SELECTION TABLE

| DIAMETER | CONSTRUCTION | OUTPUT | CONNECTION |
|------------|---|-------------------------------|-------------------|
| 04 = 4 mm | A= shielded standard housing | 1 = 10-30 Vdc PNP NO | 02 = 500 mm CABLE |
| 05 = 5 mm | B= shielded short housing | 2 = 10-30 Vdc PNP NC | 03 = 2 m CABLE |
| 08 = 8 mm | C= unshielded standard housing | 3 = 10-30 Vdc NPN NO | S1 = M8 CONN. |
| 12 = 12 mm | D= unshielded short housing | 4 = 10-30 Vdc NPN NC | S2 = M12 CONN. |
| 18 = 18 mm | E= shielded standard housing, double operating distance | 5 = 10-30 Vdc PNP NO-NC | |
| 30 = 30 mm | F= unshielded standard housing, double operating distance | 6 = 10-30 Vdc NPN NO-NC | |
| | G= shielded short housing, double operating distance | 7 = 24-230 Vac - 2 wires NO | |
| | H= unshielded short housing, double operating distance | 8 = 24-230 Vac - 2 wires NC | |
| | I= shielded standard metal housing | 9 = 10-30 Vac - 2 wires NO-NC | |
| | L= unshielded standard metal housing | 0 = 12-30 Vac - 4 wires | |

PRODUCT TABLE

| DESCRIPTION | CONNECTION | SHIELDED | HOUSING | ORDER CODE |
|-------------|---------------|----------|----------|------------|
| IS-30-A1-03 | 2 m CABLE | yes | standard | 95B061420 |
| IS-30-A1-S2 | M12 CONNECTOR | yes | standard | 95B061430 |
| IS-30-A2-03 | 2 m CABLE | yes | standard | 95B061440 |
| IS-30-A2-S2 | M12 CONNECTOR | yes | standard | 95B061450 |
| IS-30-A3-03 | 2 m CABLE | yes | standard | 95B061380 |
| IS-30-A3-S2 | M12 CONNECTOR | yes | standard | 95B061390 |
| IS-30-A4-03 | 2 m CABLE | yes | standard | 95B061400 |
| IS-30-A4-S2 | M12 CONNECTOR | yes | standard | 95B061410 |
| IS-30-B1-03 | 2 m CABLE | yes | short | 95B062220 |
| IS-30-B1-S2 | M12 CONNECTOR | yes | short | 95B062230 |
| IS-30-B2-03 | 2 m CABLE | yes | short | 95B062240 |
| IS-30-B2-S2 | M12 CONNECTOR | yes | short | 95B062250 |
| IS-30-B3-03 | 2 m CABLE | yes | short | 95B062180 |
| IS-30-B3-S2 | M12 CONNECTOR | yes | short | 95B062190 |
| IS-30-B4-03 | 2 m CABLE | yes | short | 95B062200 |
| IS-30-B4-S2 | M12 CONNECTOR | yes | short | 95B062210 |
| IS-30-C1-03 | 2 m CABLE | no | standard | 95B061820 |
| IS-30-C1-S2 | M12 CONNECTOR | no | standard | 95B061830 |
| IS-30-C2-03 | 2 m CABLE | no | standard | 95B061840 |
| IS-30-C2-S2 | M12 CONNECTOR | no | standard | 95B061850 |
| IS-30-C3-03 | 2 m CABLE | no | standard | 95B061780 |
| IS-30-C3-S2 | M12 CONNECTOR | no | standard | 95B061790 |
| IS-30-C4-03 | 2 m CABLE | no | standard | 95B061800 |
| IS-30-C4-S2 | M12 CONNECTOR | no | standard | 95B061810 |
| IS-30-D1-03 | 2 m CABLE | no | short | 95B062620 |
| IS-30-D1-S2 | M12 CONNECTOR | no | short | 95B062630 |
| IS-30-D2-03 | 2 m CABLE | no | short | 95B062640 |
| IS-30-D2-S2 | M12 CONNECTOR | no | short | 95B062650 |
| IS-30-D3-03 | 2 m CABLE | no | short | 95B062580 |
| IS-30-D3-S2 | M12 CONNECTOR | no | short | 95B062590 |
| IS-30-D4-03 | 2 m CABLE | no | short | 95B062600 |
| IS-30-D4-S2 | M12 CONNECTOR | no | short | 95B062610 |



INDUCTIVE SENSORS

Ø 30 DOUBLE OPERATING DISTANCE 10÷30 Vdc - 3 WIRES NPN OR PNP OUTPUT

- 15 mm to 20 mm operating distance - shielded, unshielded
- Short housing models
- Cable or M12 connector models
- Output status LED

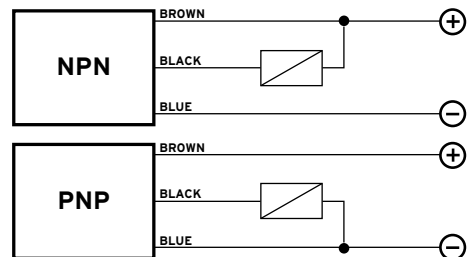
IS Series



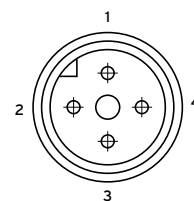
TECHNICAL DATA

| | SHIELDED | UNSHIELDED |
|--------------------------|--|------------|
| OPERATING DISTANCE (Sn) | 15 mm | 20 mm |
| POWER SUPPLY | 10 ÷ 30 Vdc (-15 / +10%) | |
| RIPPLE | ≤ 10% | |
| HYSTERESIS | < 10% | |
| OUTPUT CURRENT | 200 mA max. | |
| CONSUMPTION | < 10 mA @ 24 Vdc | |
| SATURATION VOLTAGE | < 1.2 V (I = 100 mA) | |
| INDICATORS | Yellow LED | |
| SWITCHING FREQUENCY | 200 Hz | |
| DELAY AT POWER ON | ≤ 75 ms | |
| REPEATABILITY | ≤ 3% | |
| SHORT CIRCUIT PROTECTION | Present (self-resetting) | |
| PROTECTION CIRCUIT | Against polarity reversal - inductive loads | |
| OPERATING TEMPERATURE | -25 ÷ +70 °C | |
| MECHANICAL PROTECTION | IP67 | |
| CONNECTIONS | 2 m cable (3 x 0.25 mm ²) | |
| HOUSING MATERIAL | Nickel-plated brass | |
| WEIGHT | 210 g cable version 170 g M12 connector version | |

CONNECTIONS



M12 CONNECTOR

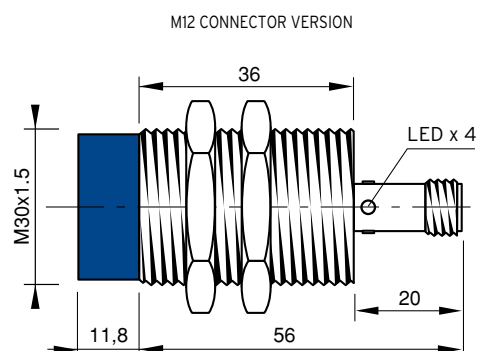
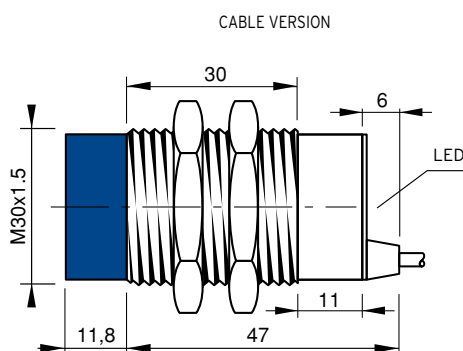


View of
quadripole
male
connector

CONFIGURATION

| Outputs | PIN numbers | | | |
|------------|-------------|---|---|-------|
| | 1 | 2 | 3 | 4 |
| (NO or NC) | + | | - | NO/NC |

DIMENSIONS (mm)



Note: the front part in blue is valid only for unshielded models



MODEL SELECTION TABLE

| DIAMETER | CONSTRUCTION | OUTPUT | CONNECTION |
|------------|---|-------------------------------|-------------------|
| 04 = 4 mm | A= shielded standard housing | 1 = 10-30 Vdc PNP NO | 02 = 500 mm CABLE |
| 05 = 5 mm | B= shielded short housing | 2 = 10-30 Vdc PNP NC | 03 = 2 m CABLE |
| 08 = 8 mm | C= unshielded standard housing | 3 = 10-30 Vdc NPN NO | S1 = M8 CONN. |
| 12 = 12 mm | D= unshielded short housing | 4 = 10-30 Vdc NPN NC | S2 = M12 CONN. |
| 18 = 18 mm | E= shielded standard housing, double operating distance | 5 = 10-30 Vdc PNP NO-NC | |
| 30 = 30 mm | F= unshielded standard housing, double operating distance | 6 = 10-30 Vdc NPN NO-NC | |
| | G= shielded short housing, double operating distance | 7 = 24-230 Vac - 2 wires NO | |
| | H= unshielded short housing, double operating distance | 8 = 24-230 Vac - 2 wires NC | |
| | I= shielded standard metal housing | 9 = 10-30 Vac - 2 wires NO-NC | |
| | L= unshielded standard metal housing | 0 = 12-30 Vac - 4 wires | |

PRODUCT TABLE

| DESCRIPTION | CONNECTION | SHIELDED | HOUSING | ORDER CODE |
|-------------|------------|----------|---------|------------|
| IS-30-G1-03 | CABLE | yes | short | 95B063680 |
| IS-30-G1-S2 | M12 | yes | short | 95B063690 |
| IS-30-G2-03 | CABLE | yes | short | 95B063700 |
| IS-30-G2-S2 | M12 | yes | short | 95B063710 |
| IS-30-G3-03 | CABLE | yes | short | 95B063640 |
| IS-30-G3-S2 | M12 | yes | short | 95B063650 |
| IS-30-G4-03 | CABLE | yes | short | 95B063660 |
| IS-30-G4-S2 | M12 | yes | short | 95B063670 |
| IS-30-H1-03 | CABLE | no | short | 95B063760 |
| IS-30-H1-S2 | M12 | no | short | 95B063770 |
| IS-30-H2-03 | CABLE | no | short | 95B063780 |
| IS-30-H2-S2 | M12 | no | short | 95B063790 |
| IS-30-H3-03 | CABLE | no | short | 95B063720 |
| IS-30-H3-S2 | M12 | no | short | 95B063730 |
| IS-30-H4-03 | CABLE | no | short | 95B063740 |
| IS-30-H4-S2 | M12 | no | short | 95B063750 |



INDUCTIVE SENSORS

Ø 30 DOUBLE OPERATING DISTANCE 10÷30 Vdc - 4 WIRES NPN OR PNP OUTPUT

- 15 mm to 20 mm operating distance - shielded, unshielded
- Short housing
- Cable or M12 connector models
- 200mA NPN or PNP
- Output status LED

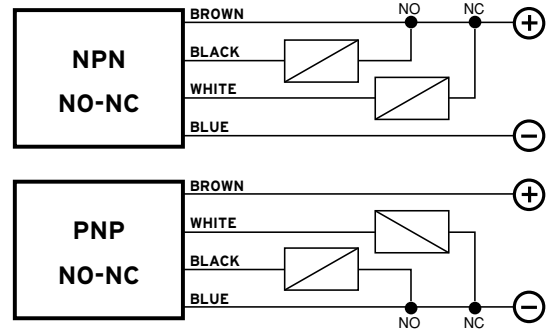
IS Series



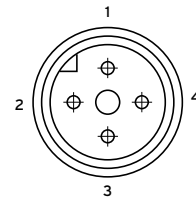
TECHNICAL DATA

| | SHIELDED | UNSHIELDED |
|--------------------------|--|------------|
| OPERATING DISTANCE (Sn) | 15 mm | 20 mm |
| POWER SUPPLY | 10 ÷ 30 Vdc (-15 / +10%) | |
| RIPPLE | ≤ 10% | |
| HYSTERESIS | < 10% | |
| OUTPUT CURRENT | 200 mA max. | |
| CONSUMPTION | < 10 mA @ 24 Vdc | |
| SATURATION VOLTAGE | < 1.2 V (I = 100 mA) | |
| INDICATORS | Yellow LED | |
| SWITCHING FREQUENCY | 200 Hz | |
| DELAY AT POWER ON | ≤ 75 ms | |
| REPEATABILITY | ≤ 3% | |
| SHORT CIRCUIT PROTECTION | Present (self-resetting) | |
| PROTECTION CIRCUIT | Against polarity reversal - inductive loads | |
| OPERATING TEMPERATURE | -25 ÷ +70 °C | |
| MECHANICAL PROTECTION | IP67 | |
| CONNECTIONS | 2 m cable (3 x 0.25 mm ²) | |
| HOUSING MATERIAL | Nickel-plated brass | |
| WEIGHT | 210 g cable version 170 g M12 connector version | |

CONNECTIONS



M12 CONNECTOR

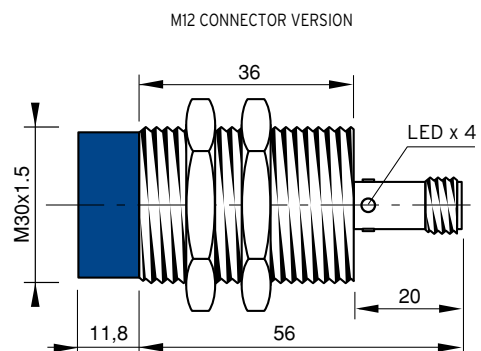
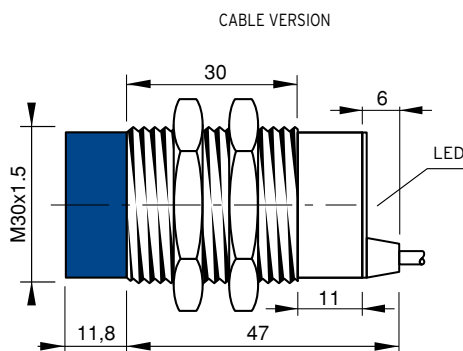


View of
quadripole
male
connector

CONFIGURATION

| Outputs | PIN numbers | | | |
|-----------|-------------|----|---|----|
| | 1 | 2 | 3 | 4 |
| (NO + NC) | + | NC | - | NO |

DIMENSIONS (mm)



Note: the front part in blue is valid only for unshielded models



MODEL SELECTION TABLE

| DIAMETER | CONSTRUCTION | OUTPUT | CONNECTION |
|------------|---|-------------------------------|-------------------|
| 04 = 4 mm | A= shielded standard housing | 1 = 10-30 Vdc PNP NO | 02 = 500 mm CABLE |
| 05 = 5 mm | B= shielded short housing | 2 = 10-30 Vdc PNP NC | 03 = 2 m CABLE |
| 08 = 8 mm | C= unshielded standard housing | 3 = 10-30 Vdc NPN NO | S1 = M8 CONN. |
| 12 = 12 mm | D= unshielded short housing | 4 = 10-30 Vdc NPN NC | S2 = M12 CONN. |
| 18 = 18 mm | E= shielded standard housing, double operating distance | 5 = 10-30 Vdc PNP NO-NC | |
| 30 = 30 mm | F= unshielded standard housing, double operating distance | 6 = 10-30 Vdc NPN NO-NC | |
| | G= shielded short housing, double operating distance | 7 = 24-230 Vac - 2 wires NO | |
| | H= unshielded short housing, double operating distance | 8 = 24-230 Vac - 2 wires NC | |
| | I= shielded standard metal housing | 9 = 10-30 Vac - 2 wires NO-NC | |
| | L= unshielded standard metal housing | 0 = 12-30 Vac - 4 wires | |

PRODUCT TABLE

| DESCRIPTION | CONNECTION | SHIELDED | HOUSING | ORDER CODE |
|-------------|------------|----------|---------|------------|
| IS-30-G5-03 | CABLE | yes | short | 95B063820 |
| IS-30-G5-S2 | M12 | yes | short | 95B063830 |



INDUCTIVE SENSORS

Ø 30 DOUBLE OPERATING DISTANCE 12÷30 Vdc - 4 WIRES PROGRAMMABLE OUTPUT

- 15 mm to 20 mm operating distance - shielded, unshielded
- Programmable outputs: NPN/PNP, NO or NC
- Cable models
- Nickel-plated brass
- Output status LED
- 200 mA max output

IS Series

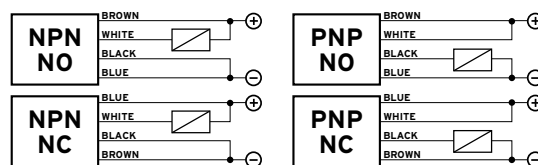


TECHNICAL DATA

| | SHIELDED | UNSHIELDED |
|--------------------------|---|------------|
| OPERATING DISTANCE (Sn) | 15 mm | 20 mm |
| POWER SUPPLY | 12 ÷ 30 Vdc (-15/+10%) | |
| RIPPLE | ≤ 10% | |
| HYSTERESIS | < 10% | |
| OUTPUT | NPN or PNP (selectable) | |
| CONTACT | NO or NC (selectable) | |
| OUTPUT CURRENT | 200 mA max. | |
| CONSUMPTION | < 1.2 mA @ 24 Vdc | |
| SATURATION VOLTAGE | < 1,8 V (I = 100 mA) | |
| INDICATORS | Yellow LED | |
| SWITCHING FREQUENCY | 200 Hz | |
| DELAY AT POWER ON | ≤ 50 ms | |
| REPEATABILITY | ≤ 3% | |
| SHORT CIRCUIT PROTECTION | Present (self-resetting) | |
| PROTECTIONS CIRCUIT | Against polarity reversal - inductive loads | |
| OPERATING TEMPERATURE | - 25 ÷ +70 °C | |
| MECHANICAL PROTECTION | IP67 | |
| CONNECTIONS | 2 m cable (4 x 0.25 mm ²) | |
| HOUSING MATERIAL | Nickel-plated brass | |
| WEIGHT | 210 g cable version | |
| | 170 g M12 connector cable | |

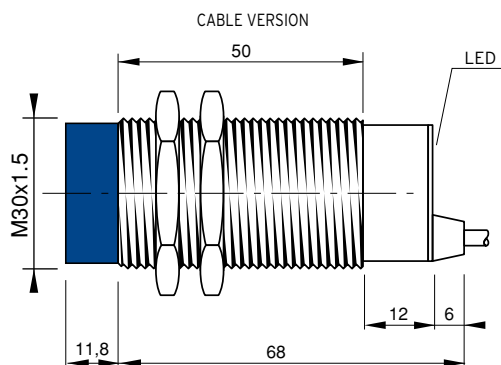
⁽¹⁾ Device marking II 3D IP67 T6X.

CONNECTIONS



These sensors, thanks to the unpaired output circuit offer 4 output configurations (NPN-NO, NPN-NC, PNP-NO, PNP-NC) on the same model.

DIMENSIONS (mm)



Note: the front part in blue is valid only for unshielded models



MODEL SELECTION TABLE

| DIAMETER | CONSTRUCTION | OUTPUT | CONNECTION |
|------------|---|-------------------------------|-------------------|
| 04 = 4 mm | A= shielded standard housing | 1 = 10-30 Vdc PNP NO | 02 = 500 mm CABLE |
| 05 = 5 mm | B= shielded short housing | 2 = 10-30 Vdc PNP NC | 03 = 2 m CABLE |
| 08 = 8 mm | C= unshielded standard housing | 3 = 10-30 Vdc NPN NO | S1 = M8 CONN. |
| 12 = 12 mm | D= unshielded short housing | 4 = 10-30 Vdc NPN NC | S2 = M12 CONN. |
| 18 = 18 mm | E= shielded standard housing, double operating distance | 5 = 10-30 Vdc PNP NO-NC | |
| 30 = 30 mm | F= unshielded standard housing, double operating distance | 6 = 10-30 Vdc NPN NO-NC | |
| | G= shielded short housing, double operating distance | 7 = 24-230 Vac - 2 wires NO | |
| | H= unshielded short housing, double operating distance | 8 = 24-230 Vac - 2 wires NC | |
| | I= shielded standard metal housing | 9 = 10-30 Vac - 2 wires NO-NC | |
| | L= unshielded standard metal housing | 0 = 12-30 Vac - 4 wires | |

PRODUCT TABLE

| DESCRIPTION | CONNECTION | SHIELDED | HOUSING | ORDER CODE |
|-------------|------------|----------|----------|------------|
| IS-30-E0-03 | CABLE | yes | standard | 95B063860 |



INDUCTIVE SENSORS

Ø 30

24÷230 Vac - 2 WIRES WIRES NO OR NC OUTPUT

- 10 mm to 15 mm operating distance - shielded, unshielded
- Cable or M12 connector models
- Very low consumption < 0,7 mA
- Inrush current (20ms) 1.5A
- 300mA max output

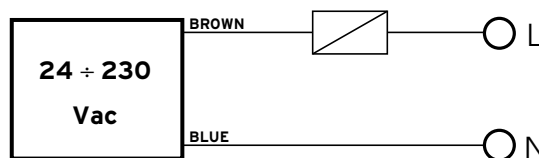
IS Series



TECHNICAL DATA

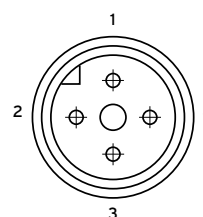
| | SHIELDED | UNSHIELDED |
|-------------------------|---------------------------------------|------------|
| OPERATING DISTANCE (Sn) | 10 mm | 15 mm |
| POWER SUPPLY | 24 ÷ 230 Vac (-15/+10%) | |
| NET FREQUENCY | 50 ÷ 60 Hz | |
| HYSTERESIS | < 10% | |
| OUTPUT CURRENT | 300 mA max. | |
| OUTPUT CURRENT | 20 mA min. | |
| INRUSH CURRENT | 1,5 A max. (20 ms) | |
| RESIDUAL CURRENT | < 0,7 mA | |
| SATURATION VOLTAGE | < 5 V (I = 100 mA) | |
| INDICATORS | Yellow LED | |
| SWITCHING FREQUENCY | 12 Hz | |
| DELAY AT POWER ON | ≤ 300 ms | |
| REPEATABILITY | ≤ 3% | |
| OPERATING TEMPERATURE | -25 ÷ +70 °C | |
| MECHANICAL PROTECTION | IP67 | |
| CONNECTIONS | 2 m cable (2 x 0.25 mm ²) | |
| HOUSING MATERIAL | Nickel-plated brass | |
| WEIGHT | 210 g cable version | |
| | 170 g M12 connector cable | |

CONNECTIONS



Warning: Output short circuit are not possible. Wrong supply cable connections can damage the sensor. Therefore sensors whose output status is short-circuited will not be replaced under warranty.

M12 CONNECTOR

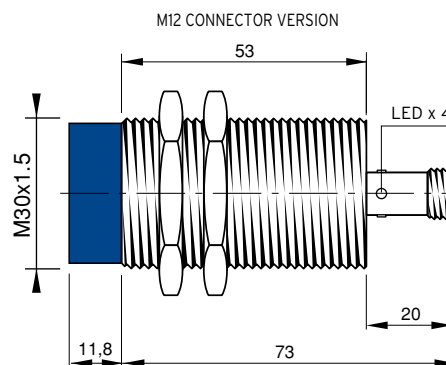
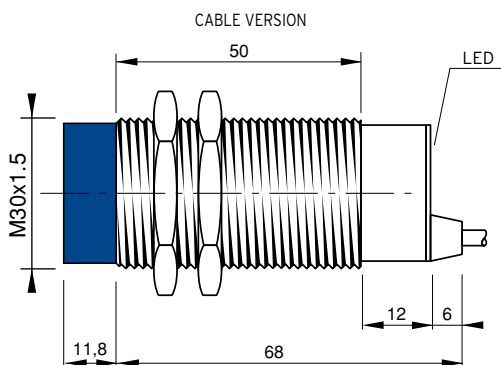


View of quadripole male connector.

CONFIGURATION

| Outputs | PIN numbers | | | |
|------------|-------------|---|---|---|
| | 1 | 2 | 3 | 4 |
| (NO or NC) | L | | N | |

DIMENSIONS (mm)



Note: the front part in blue is valid only for unshielded models



MODEL SELECTION TABLE

| DIAMETER | CONSTRUCTION | OUTPUT | CONNECTION |
|------------|---|-------------------------------|-------------------|
| 04 = 4 mm | A= shielded standard housing | 1 = 10-30 Vdc PNP NO | 02 = 500 mm CABLE |
| 05 = 5 mm | B= shielded short housing | 2 = 10-30 Vdc PNP NC | 03 = 2 m CABLE |
| 08 = 8 mm | C= unshielded standard housing | 3 = 10-30 Vdc NPN NO | S1 = M8 CONN. |
| 12 = 12 mm | D= unshielded short housing | 4 = 10-30 Vdc NPN NC | S2 = M12 CONN. |
| 18 = 18 mm | E= shielded standard housing, double operating distance | 5 = 10-30 Vdc PNP NO-NC | |
| 30 = 30 mm | F= unshielded standard housing, double operating distance | 6 = 10-30 Vdc NPN NO-NC | |
| | G= shielded short housing, double operating distance | 7 = 24-230 Vac - 2 wires NO | |
| | H= unshielded short housing, double operating distance | 8 = 24-230 Vac - 2 wires NC | |
| | I= shielded standard metal housing | 9 = 10-30 Vac - 2 wires NO-NC | |
| | L= unshielded standard metal housing | 0 = 12-30 Vac - 4 wires | |

PRODUCT TABLE

| DESCRIPTION | CONNECTION | SHIELDED | HOUSING | ORDER CODE |
|-------------|---------------|----------|----------|------------|
| IS-30-A7-03 | CABLE 2m | yes | standard | 95B062900 |
| IS-30-A7-S2 | M12 CONNECTOR | yes | standard | 95B062910 |
| IS-30-A8-03 | CABLE 2m | yes | standard | 95B062920 |
| IS-30-A8-S2 | M12 CONNECTOR | yes | standard | 95B062930 |
| IS-30-C7-03 | CABLE 2m | no | standard | 95B063020 |
| IS-30-C7-S2 | M12 CONNECTOR | no | standard | 95B063030 |
| IS-30-C8-03 | CABLE 2m | no | standard | 95B063040 |
| IS-30-C8-S2 | M12 CONNECTOR | no | standard | 95B063050 |



INDUCTIVE SENSORS

Ø 30 DOUBLE OPERATING DISTANCE 24÷230 Vac/dc - 2 WIRES NO OR NC OUTPUT

- 15 mm to 20 mm operating distance - shielded, unshielded
- Short circuit protection AC/DC
- Cable models
- Inrush current (20ms) 2.5A
- 350mA max output

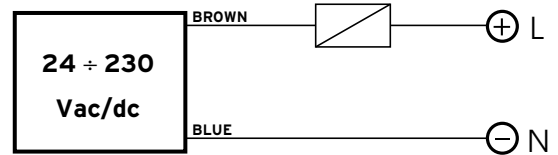
IS Series



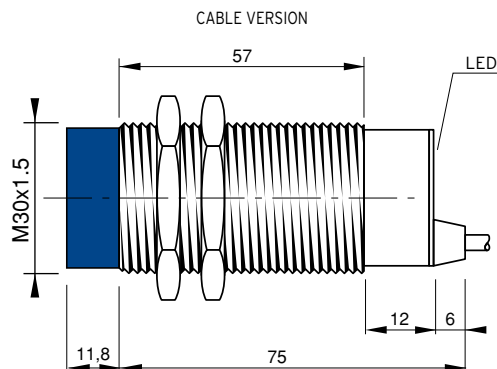
TECHNICAL DATA

| | SHIELDED | UNSHIELDED |
|--------------------------|---------------------------------------|------------|
| OPERATING DISTANCE (Sn) | 15 mm | 20 mm |
| POWER SUPPLY | 24 ÷ 230 Vac/dc (-15/+10%) | |
| NET FREQUENCY | 50 ÷ 60 Hz | |
| HYSTERESIS | < 10% | |
| OUTPUT CURRENT | 350 mA max. | |
| OUTPUT CURRENT | 4 mA min. | |
| INRUSH CURRENT | 2,5 A max. (20 ms) | |
| RESIDUAL CURRENT | < 1,5 mA | |
| SATURATION VOLTAGE | < 6 V (I=100mA) | |
| INDICATORS | Yellow LED | |
| SWITCHING FREQUENCY | 12 Hz | |
| DELAY AT POWER ON | ≤ 300 ms | |
| SHORT CIRCUIT PROTECTION | Present (self-resetting) | |
| REPEATABILITY | ≤ 3% | |
| OPERATING TEMPERATURE | -25 ÷ +70 °C | |
| MECHANICAL PROTECTION | IP67 | |
| CONNECTIONS | 2 m cable (2 x 0.25 mm ²) | |
| HOUSING MATERIAL | Nickel-plated brass | |
| WEIGHT | 210 g cable version | |

CONNECTIONS



DIMENSIONS (mm)



Note: the front part in blue is valid only for unshielded models