



# INDUCTIVE SENSORS

Ø 30

10 ÷ 30 Vdc - 3 WIRES NPN OR PNP OUTPUT

- 10 mm to 15 mm operating distance - shielded, unshielded
- Short housing models
- Cable or M12 connector models
- Output status LED

IS Series

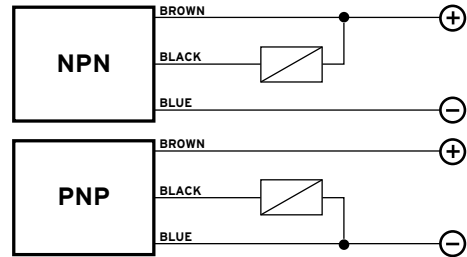


## TECHNICAL DATA

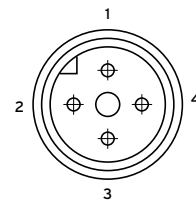
|                          | SHIELDED                                    | UNSHIELDED |
|--------------------------|---|------------|
| OPERATING DISTANCE (Sn)  | 10 mm                                       | 15 mm      |
| POWER SUPPLY             | 10 ÷ 30 Vdc (-15 / +10%)                    |            |
| RIPPLE                   | ≤ 10%                                       |            |
| HYSTERESIS               | < 10%                                       |            |
| OUTPUT CURRENT           | 200 mA max.                                 |            |
| CONSUMPTION              | < 10 mA @ 24 Vdc                            |            |
| SATURATION VOLTAGE       | < 1.8 V (I = 100 mA)                        |            |
| INDICATORS               | Yellow LED                                  |            |
| SWITCHING FREQUENCY      | 300 Hz                                      |            |
| DELAY AT POWER ON        | ≤ 50 ms                                     |            |
| REPEATABILITY            | ≤ 3%  |            |
| SHORT CIRCUIT PROTECTION | Present (self-resetting)                    |            |
| PROTECTIONS CIRCUIT      | Against polarity reversal - inductive loads |            |
| OPERATING TEMPERATURE    | - 25 ÷ +60 °C                               |            |
| MECHANICAL PROTECTION    | IP67  |            |
| CONNECTIONS              | 2 m cable (3 x 0.25 mm <sup>2</sup> )       |            |
| HOUSING MATERIAL         | Nickel-plated brass                         |            |
| WEIGHT                   | 210 g cable version                         |            |
|                          | 170 g M12 connector cable                   |            |

<sup>(4)</sup> Device marking II 3D IP67 T6X.

## CONNECTIONS



## M12 CONNECTOR

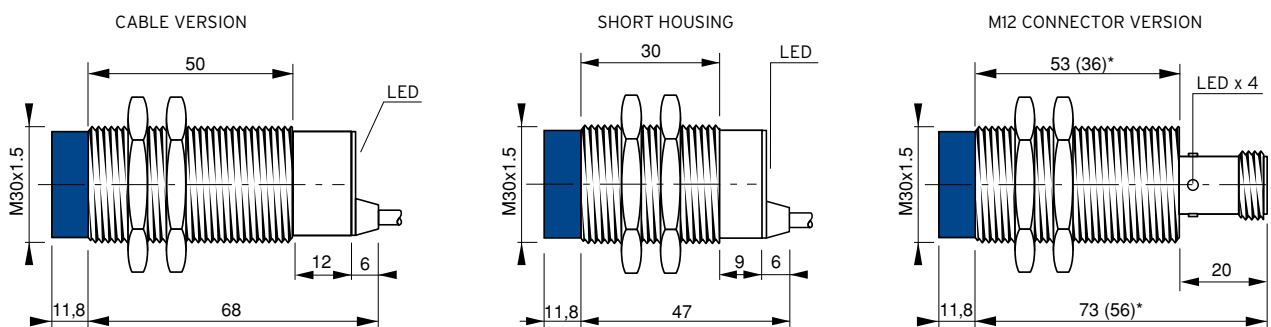


View of quadripole male connector

## CONFIGURATION

| Outputs    | PIN numbers |   |   |       |
|------------|-------------|---|---|-------|
|            | 1           | 2 | 3 | 4     |
| (NO or NC) | +           |   | - | NO/NC |

## DIMENSIONS (mm)



(\* ) The dimensions in brackets refer to short housing models  
**Note:** the front part in blue is valid only for unshielded models



### MODEL SELECTION TABLE

| DIAMETER   | CONSTRUCTION  | OUTPUT                        | CONNECTION        |
|------------|---|-------------------------------|-------------------|
| 04 = 4 mm  | A= shielded standard housing                              | 1 = 10-30 Vdc PNP NO          | 02 = 500 mm CABLE |
| 05 = 5 mm  | B= shielded short housing                                 | 2 = 10-30 Vdc PNP NC          | 03 = 2 m CABLE    |
| 08 = 8 mm  | C= unshielded standard housing                            | 3 = 10-30 Vdc NPN NO          | S1 = M8 CONN.     |
| 12 = 12 mm | D= unshielded short housing                               | 4 = 10-30 Vdc NPN NC          | S2 = M12 CONN.    |
| 18 = 18 mm | E= shielded standard housing, double operating distance   | 5 = 10-30 Vdc PNP NO-NC       |                   |
| 30 = 30 mm | F= unshielded standard housing, double operating distance | 6 = 10-30 Vdc NPN NO-NC       |                   |
|            | G= shielded short housing, double operating distance      | 7 = 24-230 Vac - 2 wires NO   |                   |
|            | H= unshielded short housing, double operating distance    | 8 = 24-230 Vac - 2 wires NC   |                   |
|            | I= shielded standard metal housing                        | 9 = 10-30 Vac - 2 wires NO-NC |                   |
|            | L= unshielded standard metal housing                      | 0 = 12-30 Vac - 4 wires       |                   |

### PRODUCT TABLE

| DESCRIPTION | CONNECTION    | SHIELDED | HOUSING  | ORDER CODE |
|-------------|---------------|----------|----------|------------|
| IS-30-A1-03 | 2 m CABLE     | yes      | standard | 95B061420  |
| IS-30-A1-S2 | M12 CONNECTOR | yes      | standard | 95B061430  |
| IS-30-A2-03 | 2 m CABLE     | yes      | standard | 95B061440  |
| IS-30-A2-S2 | M12 CONNECTOR | yes      | standard | 95B061450  |
| IS-30-A3-03 | 2 m CABLE     | yes      | standard | 95B061380  |
| IS-30-A3-S2 | M12 CONNECTOR | yes      | standard | 95B061390  |
| IS-30-A4-03 | 2 m CABLE     | yes      | standard | 95B061400  |
| IS-30-A4-S2 | M12 CONNECTOR | yes      | standard | 95B061410  |
| IS-30-B1-03 | 2 m CABLE     | yes      | short    | 95B062220  |
| IS-30-B1-S2 | M12 CONNECTOR | yes      | short    | 95B062230  |
| IS-30-B2-03 | 2 m CABLE     | yes      | short    | 95B062240  |
| IS-30-B2-S2 | M12 CONNECTOR | yes      | short    | 95B062250  |
| IS-30-B3-03 | 2 m CABLE     | yes      | short    | 95B062180  |
| IS-30-B3-S2 | M12 CONNECTOR | yes      | short    | 95B062190  |
| IS-30-B4-03 | 2 m CABLE     | yes      | short    | 95B062200  |
| IS-30-B4-S2 | M12 CONNECTOR | yes      | short    | 95B062210  |
| IS-30-C1-03 | 2 m CABLE     | no       | standard | 95B061820  |
| IS-30-C1-S2 | M12 CONNECTOR | no       | standard | 95B061830  |
| IS-30-C2-03 | 2 m CABLE     | no       | standard | 95B061840  |
| IS-30-C2-S2 | M12 CONNECTOR | no       | standard | 95B061850  |
| IS-30-C3-03 | 2 m CABLE     | no       | standard | 95B061780  |
| IS-30-C3-S2 | M12 CONNECTOR | no       | standard | 95B061790  |
| IS-30-C4-03 | 2 m CABLE     | no       | standard | 95B061800  |
| IS-30-C4-S2 | M12 CONNECTOR | no       | standard | 95B061810  |
| IS-30-D1-03 | 2 m CABLE     | no       | short    | 95B062620  |
| IS-30-D1-S2 | M12 CONNECTOR | no       | short    | 95B062630  |
| IS-30-D2-03 | 2 m CABLE     | no       | short    | 95B062640  |
| IS-30-D2-S2 | M12 CONNECTOR | no       | short    | 95B062650  |
| IS-30-D3-03 | 2 m CABLE     | no       | short    | 95B062580  |
| IS-30-D3-S2 | M12 CONNECTOR | no       | short    | 95B062590  |
| IS-30-D4-03 | 2 m CABLE     | no       | short    | 95B062600  |
| IS-30-D4-S2 | M12 CONNECTOR | no       | short    | 95B062610  |



# INDUCTIVE SENSORS

**Ø 30 DOUBLE OPERATING DISTANCE**  
**10÷30 Vdc - 3 WIRES NPN OR PNP OUTPUT**

- 15 mm to 20 mm operating distance - shielded, unshielded
- Short housing models
- Cable or M12 connector models
- Output status LED

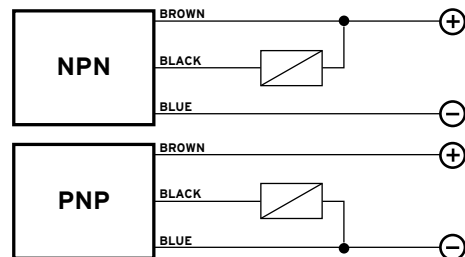
**IS Series**



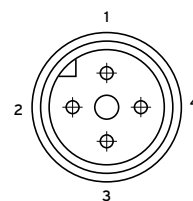
## TECHNICAL DATA

|                          | SHIELDED   | UNSHIELDED |
|--------------------------|--|------------|
| OPERATING DISTANCE (Sn)  | 15 mm  | 20 mm      |
| POWER SUPPLY             | 10 ÷ 30 Vdc (-15 / +10%)                           |            |
| RIPPLE                   | ≤ 10%  |            |
| HYSTERESIS               | < 10%  |            |
| OUTPUT CURRENT           | 200 mA max.  |            |
| CONSUMPTION              | < 10 mA @ 24 Vdc                                   |            |
| SATURATION VOLTAGE       | < 1.2 V (I = 100 mA)                               |            |
| INDICATORS               | Yellow LED   |            |
| SWITCHING FREQUENCY      | 200 Hz   |            |
| DELAY AT POWER ON        | ≤ 75 ms  |            |
| REPEATABILITY            | ≤ 3%   |            |
| SHORT CIRCUIT PROTECTION | Present (self-resetting)                           |            |
| PROTECTION CIRCUIT       | Against polarity reversal - inductive loads        |            |
| OPERATING TEMPERATURE    | -25 ÷ +70 °C                                       |            |
| MECHANICAL PROTECTION    | IP67   |            |
| CONNECTIONS              | 2 m cable (3 x 0.25 mm <sup>2</sup> )              |            |
| HOUSING MATERIAL         | Nickel-plated brass                                |            |
| WEIGHT                   | 210 g cable version<br>170 g M12 connector version |            |

## CONNECTIONS



## M12 CONNECTOR

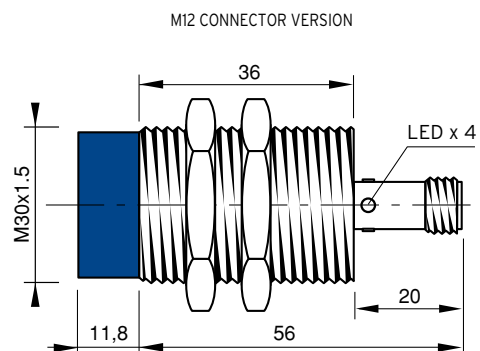
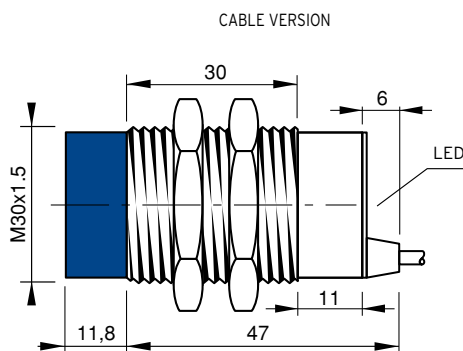


**View of  
quadripole  
male  
connector**

## CONFIGURATION

| Outputs    | PIN numbers |   |   |       |
|------------|-------------|---|---|-------|
|            | 1           | 2 | 3 | 4     |
| (NO or NC) | +           |   | - | NO/NC |

## DIMENSIONS (mm)



**Note:** the front part in blue is valid only for unshielded models



### MODEL SELECTION TABLE

| DIAMETER   | CONSTRUCTION  | OUTPUT                        | CONNECTION        |
|------------|---|-------------------------------|-------------------|
| 04 = 4 mm  | A= shielded standard housing                              | 1 = 10-30 Vdc PNP NO          | 02 = 500 mm CABLE |
| 05 = 5 mm  | B= shielded short housing                                 | 2 = 10-30 Vdc PNP NC          | 03 = 2 m CABLE    |
| 08 = 8 mm  | C= unshielded standard housing                            | 3 = 10-30 Vdc NPN NO          | S1 = M8 CONN.     |
| 12 = 12 mm | D= unshielded short housing                               | 4 = 10-30 Vdc NPN NC          | S2 = M12 CONN.    |
| 18 = 18 mm | E= shielded standard housing, double operating distance   | 5 = 10-30 Vdc PNP NO-NC       |                   |
| 30 = 30 mm | F= unshielded standard housing, double operating distance | 6 = 10-30 Vdc NPN NO-NC       |                   |
|            | G= shielded short housing, double operating distance      | 7 = 24-230 Vac - 2 wires NO   |                   |
|            | H= unshielded short housing, double operating distance    | 8 = 24-230 Vac - 2 wires NC   |                   |
|            | I= shielded standard metal housing                        | 9 = 10-30 Vac - 2 wires NO-NC |                   |
|            | L= unshielded standard metal housing                      | 0 = 12-30 Vac - 4 wires       |                   |

### PRODUCT TABLE

| DESCRIPTION | CONNECTION | SHIELDED | HOUSING | ORDER CODE |
|-------------|------------|----------|---------|------------|
| IS-30-G1-03 | CABLE      | yes      | short   | 95B063680  |
| IS-30-G1-S2 | M12        | yes      | short   | 95B063690  |
| IS-30-G2-03 | CABLE      | yes      | short   | 95B063700  |
| IS-30-G2-S2 | M12        | yes      | short   | 95B063710  |
| IS-30-G3-03 | CABLE      | yes      | short   | 95B063640  |
| IS-30-G3-S2 | M12        | yes      | short   | 95B063650  |
| IS-30-G4-03 | CABLE      | yes      | short   | 95B063660  |
| IS-30-G4-S2 | M12        | yes      | short   | 95B063670  |
| IS-30-H1-03 | CABLE      | no       | short   | 95B063760  |
| IS-30-H1-S2 | M12        | no       | short   | 95B063770  |
| IS-30-H2-03 | CABLE      | no       | short   | 95B063780  |
| IS-30-H2-S2 | M12        | no       | short   | 95B063790  |
| IS-30-H3-03 | CABLE      | no       | short   | 95B063720  |
| IS-30-H3-S2 | M12        | no       | short   | 95B063730  |
| IS-30-H4-03 | CABLE      | no       | short   | 95B063740  |
| IS-30-H4-S2 | M12        | no       | short   | 95B063750  |



# INDUCTIVE SENSORS

## Ø 30 DOUBLE OPERATING DISTANCE 10÷30 Vdc - 4 WIRES NPN OR PNP OUTPUT

- 15 mm to 20 mm operating distance - shielded, unshielded
- Short housing
- Cable or M12 connector models
- 200mA NPN or PNP
- Output status LED

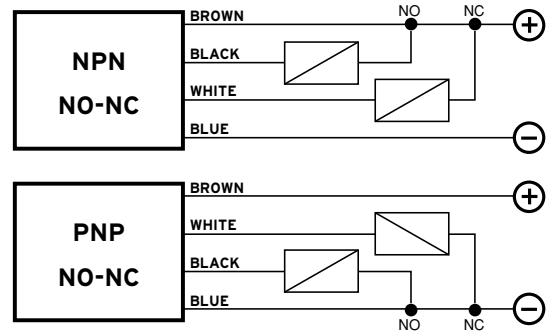
IS Series



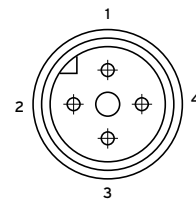
### TECHNICAL DATA

|                          | SHIELDED   | UNSHIELDED |
|--------------------------|--|------------|
| OPERATING DISTANCE (Sn)  | 15 mm  | 20 mm      |
| POWER SUPPLY             | 10 ÷ 30 Vdc (-15 / +10%)                           |            |
| RIPPLE                   | ≤ 10%  |            |
| HYSTERESIS               | < 10%  |            |
| OUTPUT CURRENT           | 200 mA max.  |            |
| CONSUMPTION              | < 10 mA @ 24 Vdc                                   |            |
| SATURATION VOLTAGE       | < 1.2 V (I = 100 mA)                               |            |
| INDICATORS               | Yellow LED   |            |
| SWITCHING FREQUENCY      | 200 Hz   |            |
| DELAY AT POWER ON        | ≤ 75 ms  |            |
| REPEATABILITY            | ≤ 3%   |            |
| SHORT CIRCUIT PROTECTION | Present (self-resetting)                           |            |
| PROTECTION CIRCUIT       | Against polarity reversal - inductive loads        |            |
| OPERATING TEMPERATURE    | - 25 ÷ +70 °C                                      |            |
| MECHANICAL PROTECTION    | IP67   |            |
| CONNECTIONS              | 2 m cable (3 x 0.25 mm <sup>2</sup> )              |            |
| HOUSING MATERIAL         | Nickel-plated brass                                |            |
| WEIGHT                   | 210 g cable version<br>170 g M12 connector version |            |

### CONNECTIONS



### M12 CONNECTOR

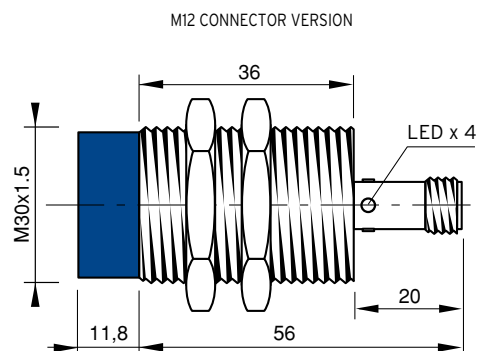
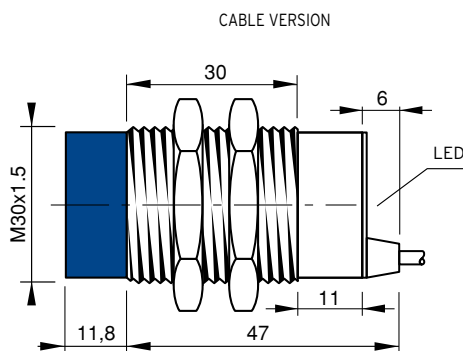


View of  
quadripole  
male  
connector

### CONFIGURATION

| Outputs   | PIN numbers |    |   |    |
|-----------|-------------|----|---|----|
|           | 1           | 2  | 3 | 4  |
| (NO + NC) | +           | NC | - | NO |

### DIMENSIONS (mm)



**Note:** the front part in blue is valid only for unshielded models



### MODEL SELECTION TABLE

| DIAMETER   | CONSTRUCTION  | OUTPUT                        | CONNECTION        |
|------------|---|-------------------------------|-------------------|
| 04 = 4 mm  | A= shielded standard housing                              | 1 = 10-30 Vdc PNP NO          | 02 = 500 mm CABLE |
| 05 = 5 mm  | B= shielded short housing                                 | 2 = 10-30 Vdc PNP NC          | 03 = 2 m CABLE    |
| 08 = 8 mm  | C= unshielded standard housing                            | 3 = 10-30 Vdc NPN NO          | S1 = M8 CONN.     |
| 12 = 12 mm | D= unshielded short housing                               | 4 = 10-30 Vdc NPN NC          | S2 = M12 CONN.    |
| 18 = 18 mm | E= shielded standard housing, double operating distance   | 5 = 10-30 Vdc PNP NO-NC       |                   |
| 30 = 30 mm | F= unshielded standard housing, double operating distance | 6 = 10-30 Vdc NPN NO-NC       |                   |
|            | G= shielded short housing, double operating distance      | 7 = 24-230 Vac - 2 wires NO   |                   |
|            | H= unshielded short housing, double operating distance    | 8 = 24-230 Vac - 2 wires NC   |                   |
|            | I= shielded standard metal housing                        | 9 = 10-30 Vac - 2 wires NO-NC |                   |
|            | L= unshielded standard metal housing                      | 0 = 12-30 Vac - 4 wires       |                   |

### PRODUCT TABLE

| DESCRIPTION | CONNECTION | SHIELDED | HOUSING | ORDER CODE |
|-------------|------------|----------|---------|------------|
| IS-30-G5-03 | CABLE      | yes      | short   | 95B063820  |
| IS-30-G5-S2 | M12        | yes      | short   | 95B063830  |



# INDUCTIVE SENSORS

## Ø 30 DOUBLE OPERATING DISTANCE 12÷30 Vdc - 4 WIRES PROGRAMMABLE OUTPUT

- 15 mm to 20 mm operating distance - shielded, unshielded
- Programmable outputs: NPN/PNP, NO or NC
- Cable models
- Nickel-plated brass
- Output status LED
- 200 mA max output

IS Series

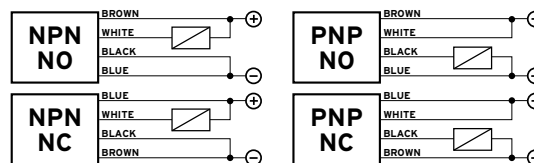


### TECHNICAL DATA

|                          | SHIELDED                                    | UNSHIELDED |
|--------------------------|---|------------|
| OPERATING DISTANCE (Sn)  | 15 mm                                       | 20 mm      |
| POWER SUPPLY             | 12 ÷ 30 Vdc (-15/+10%)                      |            |
| RIPPLE                   | ≤ 10%                                       |            |
| HYSTERESIS               | < 10%                                       |            |
| OUTPUT                   | NPN or PNP (selectable)                     |            |
| CONTACT                  | NO or NC (selectable)                       |            |
| OUTPUT CURRENT           | 200 mA max.                                 |            |
| CONSUMPTION              | < 1.2 mA @ 24 Vdc                           |            |
| SATURATION VOLTAGE       | < 1,8 V (I = 100 mA)                        |            |
| INDICATORS               | Yellow LED                                  |            |
| SWITCHING FREQUENCY      | 200 Hz                                      |            |
| DELAY AT POWER ON        | ≤ 50 ms                                     |            |
| REPEATABILITY            | ≤ 3%  |            |
| SHORT CIRCUIT PROTECTION | Present (self-resetting)                    |            |
| PROTECTIONS CIRCUIT      | Against polarity reversal - inductive loads |            |
| OPERATING TEMPERATURE    | - 25 ÷ +70 °C                               |            |
| MECHANICAL PROTECTION    | IP67  |            |
| CONNECTIONS              | 2 m cable (4 x 0.25 mm <sup>2</sup> )       |            |
| HOUSING MATERIAL         | Nickel-plated brass                         |            |
| WEIGHT                   | 210 g cable version                         |            |
|                          | 170 g M12 connector cable                   |            |

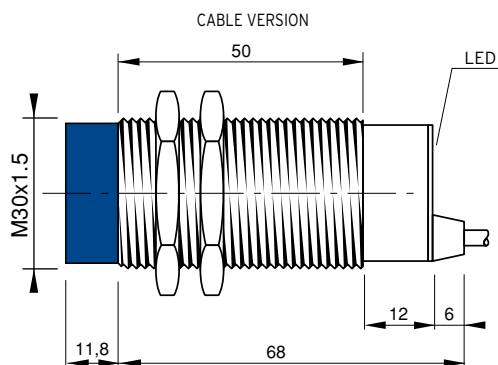
<sup>(1)</sup> Device marking II 3D IP67 T6X.

### CONNECTIONS



These sensors, thanks to the unpaired output circuit offer 4 output configurations (NPN-NO, NPN-NC, PNP-NO, PNP-NC) on the same model.

### DIMENSIONS (mm)



**Note:** the front part in blue is valid only for unshielded models



### MODEL SELECTION TABLE

| DIAMETER   | CONSTRUCTION  | OUTPUT                        | CONNECTION        |
|------------|---|-------------------------------|-------------------|
| 04 = 4 mm  | A= shielded standard housing                              | 1 = 10-30 Vdc PNP NO          | 02 = 500 mm CABLE |
| 05 = 5 mm  | B= shielded short housing                                 | 2 = 10-30 Vdc PNP NC          | 03 = 2 m CABLE    |
| 08 = 8 mm  | C= unshielded standard housing                            | 3 = 10-30 Vdc NPN NO          | S1 = M8 CONN.     |
| 12 = 12 mm | D= unshielded short housing                               | 4 = 10-30 Vdc NPN NC          | S2 = M12 CONN.    |
| 18 = 18 mm | E= shielded standard housing, double operating distance   | 5 = 10-30 Vdc PNP NO-NC       |                   |
| 30 = 30 mm | F= unshielded standard housing, double operating distance | 6 = 10-30 Vdc NPN NO-NC       |                   |
|            | G= shielded short housing, double operating distance      | 7 = 24-230 Vac - 2 wires NO   |                   |
|            | H= unshielded short housing, double operating distance    | 8 = 24-230 Vac - 2 wires NC   |                   |
|            | I= shielded standard metal housing                        | 9 = 10-30 Vac - 2 wires NO-NC |                   |
|            | L= unshielded standard metal housing                      | 0 = 12-30 Vac - 4 wires       |                   |

### PRODUCT TABLE

| DESCRIPTION | CONNECTION | SHIELDED | HOUSING  | ORDER CODE |
|-------------|------------|----------|----------|------------|
| IS-30-E0-03 | CABLE      | yes      | standard | 95B063860  |





# INDUCTIVE SENSORS

Ø 30

24÷230 Vac - 2 WIRES WIRES NO OR NC OUTPUT

- 10 mm to 15 mm operating distance - shielded, unshielded
- Cable or M12 connector models
- Very low consumption < 0,7 mA
- Inrush current (20ms) 1.5A
- 300mA max output

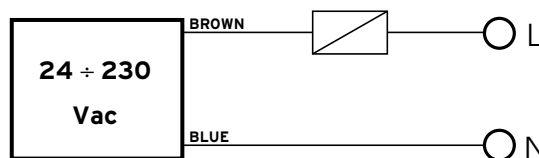
IS Series



## TECHNICAL DATA

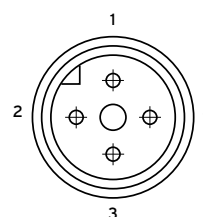
|                         | SHIELDED                              | UNSHIELDED |
|-------------------------|---------------------------------------|------------|
| OPERATING DISTANCE (Sn) | 10 mm                                 | 15 mm      |
| POWER SUPPLY            | 24 ÷ 230 Vac (-15/+10%)               |            |
| NET FREQUENCY           | 50 ÷ 60 Hz                            |            |
| HYSTERESIS              | < 10%                                 |            |
| OUTPUT CURRENT          | 300 mA max.                           |            |
| OUTPUT CURRENT          | 20 mA min.                            |            |
| INRUSH CURRENT          | 1,5 A max. (20 ms)                    |            |
| RESIDUAL CURRENT        | < 0,7 mA                              |            |
| SATURATION VOLTAGE      | < 5 V (I = 100 mA)                    |            |
| INDICATORS              | Yellow LED                            |            |
| SWITCHING FREQUENCY     | 12 Hz                                 |            |
| DELAY AT POWER ON       | ≤ 300 ms                              |            |
| REPEATABILITY           | ≤ 3%                                  |            |
| OPERATING TEMPERATURE   | -25 ÷ +70 °C                          |            |
| MECHANICAL PROTECTION   | IP67                                  |            |
| CONNECTIONS             | 2 m cable (2 x 0.25 mm <sup>2</sup> ) |            |
| HOUSING MATERIAL        | Nickel-plated brass                   |            |
| WEIGHT                  | 210 g cable version                   |            |
|                         | 170 g M12 connector cable             |            |

## CONNECTIONS



**Warning:** Output short circuit are not possible. Wrong supply cable connections can damage the sensor. Therefore sensors whose output status is short-circuited will not be replaced under warranty.

## M12 CONNECTOR

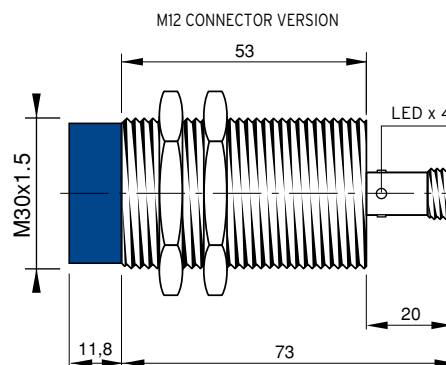
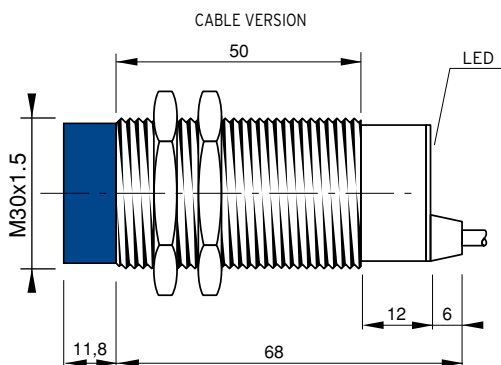


View of quadripole male connector.

## CONFIGURATION

| Outputs    | PIN numbers |   |   |   |
|------------|-------------|---|---|---|
|            | 1           | 2 | 3 | 4 |
| (NO or NC) | L           |   | N |   |

## DIMENSIONS (mm)



**Note:** the front part in blue is valid only for unshielded models



### MODEL SELECTION TABLE

| DIAMETER   | CONSTRUCTION  | OUTPUT                        | CONNECTION        |
|------------|---|-------------------------------|-------------------|
| 04 = 4 mm  | A= shielded standard housing                              | 1 = 10-30 Vdc PNP NO          | 02 = 500 mm CABLE |
| 05 = 5 mm  | B= shielded short housing                                 | 2 = 10-30 Vdc PNP NC          | 03 = 2 m CABLE    |
| 08 = 8 mm  | C= unshielded standard housing                            | 3 = 10-30 Vdc NPN NO          | S1 = M8 CONN.     |
| 12 = 12 mm | D= unshielded short housing                               | 4 = 10-30 Vdc NPN NC          | S2 = M12 CONN.    |
| 18 = 18 mm | E= shielded standard housing, double operating distance   | 5 = 10-30 Vdc PNP NO-NC       |                   |
| 30 = 30 mm | F= unshielded standard housing, double operating distance | 6 = 10-30 Vdc NPN NO-NC       |                   |
|            | G= shielded short housing, double operating distance      | 7 = 24-230 Vac - 2 wires NO   |                   |
|            | H= unshielded short housing, double operating distance    | 8 = 24-230 Vac - 2 wires NC   |                   |
|            | I= shielded standard metal housing                        | 9 = 10-30 Vac - 2 wires NO-NC |                   |
|            | L= unshielded standard metal housing                      | 0 = 12-30 Vac - 4 wires       |                   |

### PRODUCT TABLE

| DESCRIPTION | CONNECTION    | SHIELDED | HOUSING  | ORDER CODE |
|-------------|---------------|----------|----------|------------|
| IS-30-A7-03 | CABLE 2m      | yes      | standard | 95B062900  |
| IS-30-A7-S2 | M12 CONNECTOR | yes      | standard | 95B062910  |
| IS-30-A8-03 | CABLE 2m      | yes      | standard | 95B062920  |
| IS-30-A8-S2 | M12 CONNECTOR | yes      | standard | 95B062930  |
| IS-30-C7-03 | CABLE 2m      | no       | standard | 95B063020  |
| IS-30-C7-S2 | M12 CONNECTOR | no       | standard | 95B063030  |
| IS-30-C8-03 | CABLE 2m      | no       | standard | 95B063040  |
| IS-30-C8-S2 | M12 CONNECTOR | no       | standard | 95B063050  |



# INDUCTIVE SENSORS

## Ø 30 DOUBLE OPERATING DISTANCE 24÷230 Vac/dc - 2 WIRES NO OR NC OUTPUT

- 15 mm to 20 mm operating distance - shielded, unshielded
- Short circuit protection AC/DC
- Cable models
- Inrush current (20ms) 2.5A
- 350mA max output

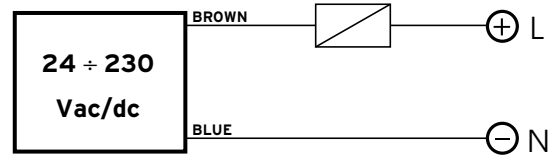
IS Series



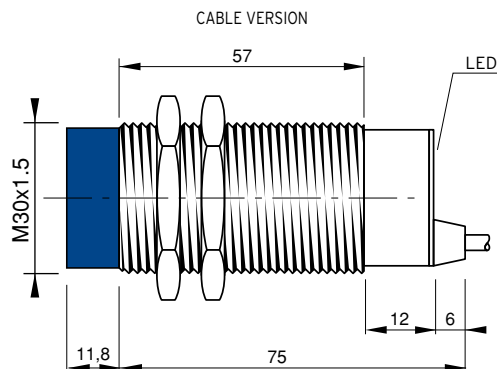
### TECHNICAL DATA

|                          | SHIELDED                              | UNSHIELDED |
|--------------------------|---------------------------------------|------------|
| OPERATING DISTANCE (Sn)  | 15 mm                                 | 20 mm      |
| POWER SUPPLY             | 24 ÷ 230 Vac/dc (-15/+10%)            |            |
| NET FREQUENCY            | 50 ÷ 60 Hz                            |            |
| HYSTERESIS               | < 10%                                 |            |
| OUTPUT CURRENT           | 350 mA max.                           |            |
| OUTPUT CURRENT           | 4 mA min.                             |            |
| INRUSH CURRENT           | 2,5 A max. (20 ms)                    |            |
| RESIDUAL CURRENT         | < 1,5 mA                              |            |
| SATURATION VOLTAGE       | < 6 V (I=100mA)                       |            |
| INDICATORS               | Yellow LED                            |            |
| SWITCHING FREQUENCY      | 12 Hz                                 |            |
| DELAY AT POWER ON        | ≤ 300 ms                              |            |
| SHORT CIRCUIT PROTECTION | Present (self-resetting)              |            |
| REPEATABILITY            | ≤ 3%                                  |            |
| OPERATING TEMPERATURE    | -25 ÷ +70 °C                          |            |
| MECHANICAL PROTECTION    | IP67                                  |            |
| CONNECTIONS              | 2 m cable (2 x 0.25 mm <sup>2</sup> ) |            |
| HOUSING MATERIAL         | Nickel-plated brass                   |            |
| WEIGHT                   | 210 g cable version                   |            |

### CONNECTIONS



### DIMENSIONS (mm)



**Note:** the front part in blue is valid only for unshielded models