

IS31AP2005 CLASS-D AUDIO AMPLIFIER

DESCRIPTION

The IS31AP2005 demo board is a fully assembled and tested PCB that uses the IS31AP2005 Class-D power amplifier to drive an 8Ω or 4Ω speaker in portable audio applications. Designed to operate from a 2.7V to 5.5V DC power supply, the demo board accepts a single-ended or differential input signal. The demo board provides a BTL output capable of delivering 2.6W into a 4Ω speaker at 5V.

FEATURES

- Supply voltage range from 2.7V to 5.5V
- Delivers 2.6W into a 4Ω speaker at 5V supply (THD+N=10%)
- Delivers 1.8W into an 8Ω speaker at 5V supply (THD+N=10%)
- Available in MSOP-8 and DFN-8 packages

QUICK START

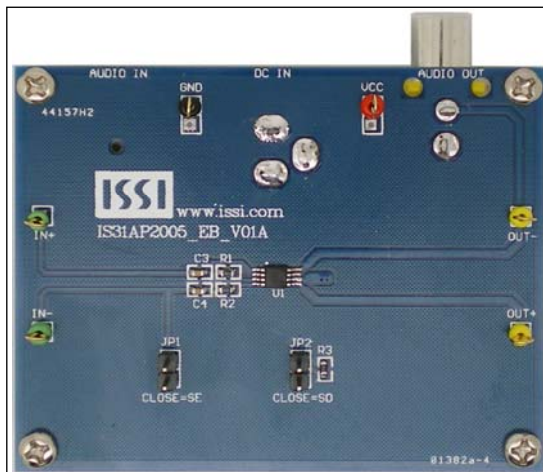


Figure 1: Photo of IS31AP2005 Evaluation Board

RECOMMENDED EQUIPMENT

- 5.0V, 2A power supply
- Audio source (i.e. MP3 player, Notebook PC, etc.)
- 8Ω or 4Ω speaker

ABSOLUTE MAXIMUM RATINGS

- ≤ 5.5V power supply

Caution: Do not exceed the conditions listed above; otherwise the board will be damaged.

PROCEDURE

The IS31AP2005 demo board is fully assembled and tested. Follow the steps listed below to verify board operation.

Caution: Do not turn on the power supply until all connections are completed.

- 1) Connect a 4Ω (or larger) speaker across the OUT-terminal and OUT+ terminal.
- 2) Connect the ground terminal of the power supply to the GND and the positive terminal to the VCC. Or connect DC power to connector (DC IN).
- 3) If the audio source is differential, remove jumper JP1, connect the negative of the audio source to the IN- terminal, and connect the positive of the audio source to IN+ terminal.
- 4) If the audio source is single-ended, connect the audio source to the IN+ terminal, and close jumper JP1; or connect audio source to the audio connector (AUDIO IN) and close jumper JP1.
- 5) Turn on the power supply.
- 6) Turn on the audio source.

ORDERING INFORMATION

Part No.	Temperature Range	Package
IS31AP2005-SLS2-EB	-40°C ~ +85°C (Industrial)	MSOP-8, Lead-free

Table 1: Ordering Information

For pricing, delivery, and ordering information, please contact Lumissil's analog marketing team at analog@lumissil.com or (408) 969-6600.

IS31AP2005 CLASS-D AUDIO AMPLIFIER

DETAILED DESCRIPTION

The IS31AP2005 demo board features the IS31AP2005 Class-D power amplifier IC, designed to drive speaker impedance of 4Ω or larger.

CUSTOMIZING THE GAIN

The IS31AP2005 demo board is shipped with a gain of 18.4dB and is set by resistors R₁ (R₁, R₂). Change resistors R₁ and R₂ to reconfigure the gain of the board. Gain determined in Equation (1) and refer to IS31AP2005 data sheet for more detail.

$$Gain = \frac{2 \times 150k\Omega}{R_1} \left(\frac{V}{V} \right) \quad (1)$$

HIGH-PASS FILTER

The input capacitors C₁ (C₃, C₄) and input resistors R₁ (R₁, R₂) form a high-pass filter with the corner frequency, f_c determined in Equation (2).

$$f_c = \frac{1}{(2\pi R_1 C_1)} \quad (2)$$

SHUTDOWN MODE

Jumper (JP2) controls the shutdown pin of the IS31AP2005 IC. Connect the shunt across pin 1 and 2 of the jumper (JP2) to enter the shutdown mode of the board.

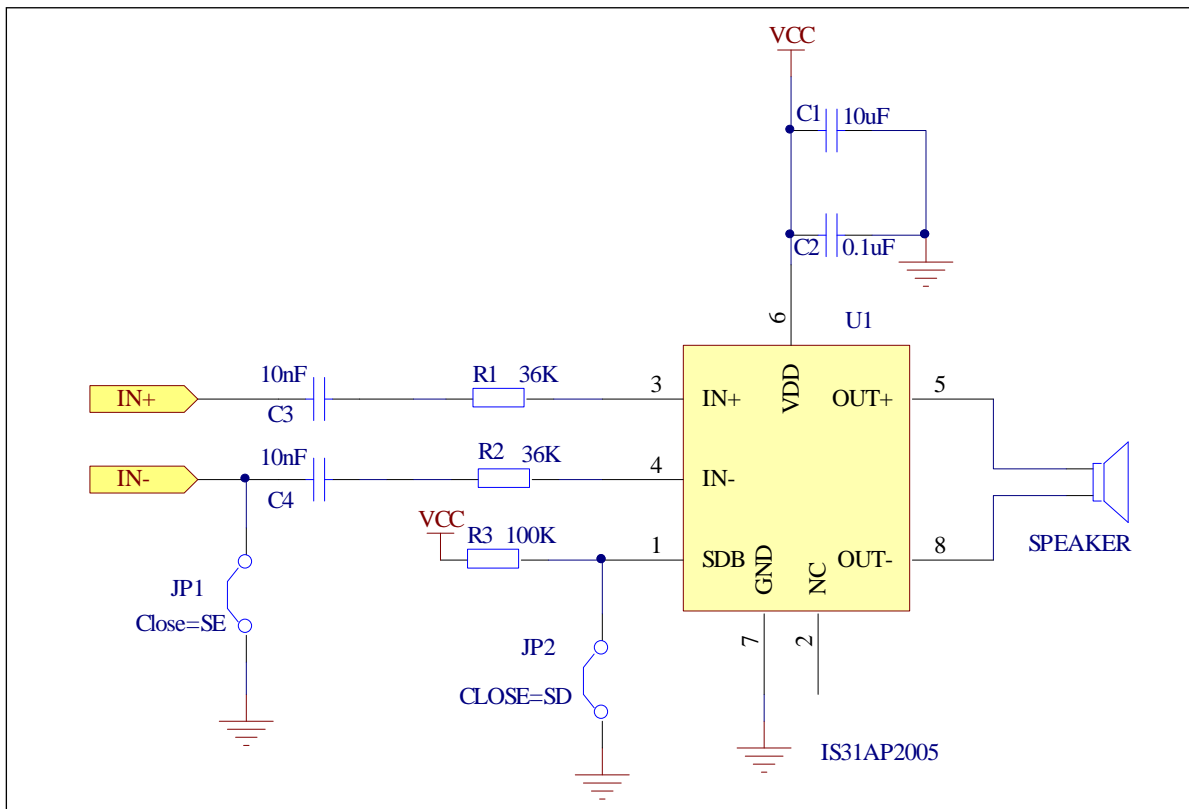


Figure 2: IS31AP2005 Application Circuit

IS31AP2005 CLASS-D AUDIO AMPLIFIER

BILL OF MATERIALS

Name	Symbol	Description	Qty	Supplier	Part No.
Amplifier	U1	Class- D power amplifier	1	Lumissil	IS31AP2005
Resistor	R1,R2	RES,36k,1/16W,±1%,SMD	2	Yageo	RC0603FR-0720KL
Resistor	R3	RES,100k,1/16W,±5%,SMD	1	Yageo	RC0603JR-07100KL
Capacitor	C1	CAP,10µF,10V,±20%,SMD	1	Yageo	CC0805KKX7R6BB106
Capacitor	C2	CAP,0.1µF,50V,±10%,SMD	1	Yageo	CC0603KKX7R9BB104
Capacitor	C3,C4	CAP,0.1µF,50V,±10%,SMD	2	Yageo	CC0603KKX7R9BB104
Connector	DC IN	2.5mm DC connector	1		
Connector	AUDIO OUT	RCA –type connector	1		
Connector	AUDIO IN	3.5mm min connector	1		

Bill of materials, refer to Figure 2 above.

IS31AP2005 CLASS-D AUDIO AMPLIFIER

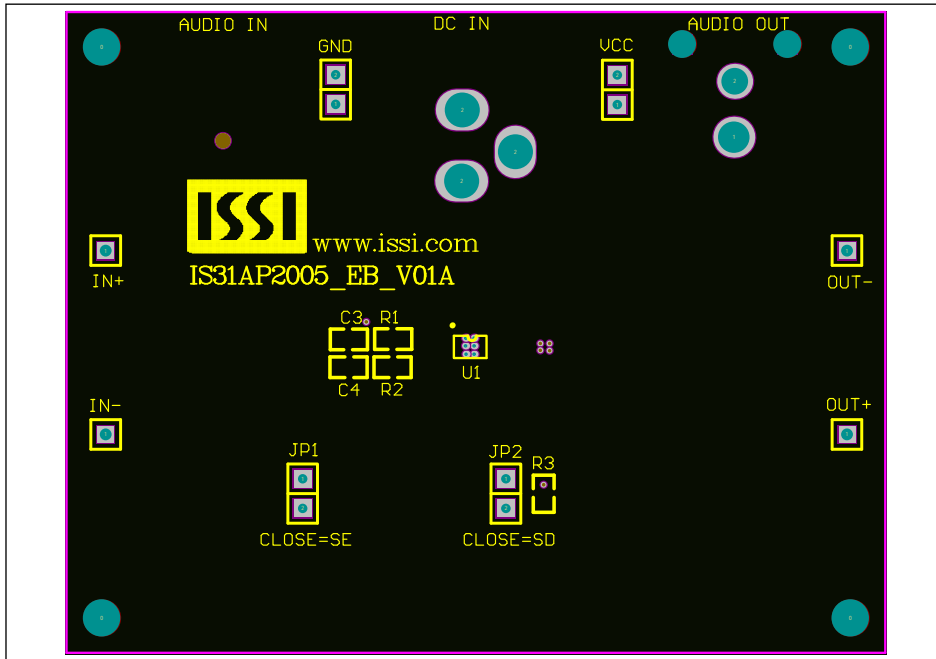


Figure 3: Board Component Placement Guide - Top Layer

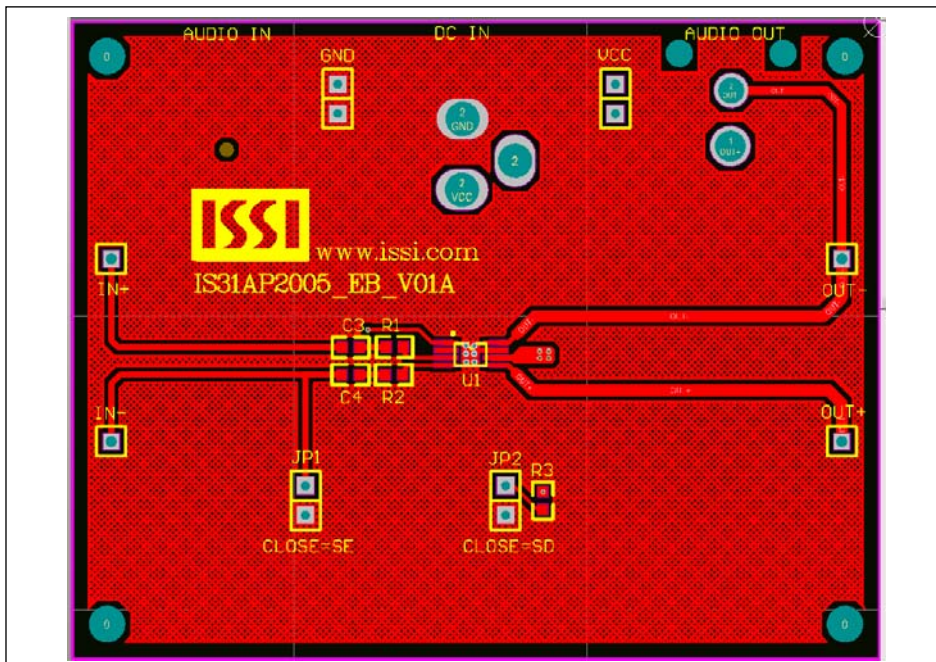


Figure 4: Board PCB Layout - Top Layer