

IS49NLC93200, IS49NLC18160, IS49NLC36800



288Mb (x9, x18, x36) Common I/O RLDRAM[®] 2 Memory

JANUARY 2020

FEATURES

- 400MHz DDR operation (800Mb/s/pin data rate)
- 28.8Gb/s peak bandwidth (x36 at 400 MHz clock frequency)
- Reduced cycle time (15ns at 400MHz)
- 32ms refresh (8K refresh for each bank; 64K refresh command must be issued in total each 32ms)
- 8 internal banks
- Non-multiplexed addresses (address multiplexing option available)
- SRAM-type interface
- Programmable READ latency (RL), row cycle time, and burst sequence length
- Balanced READ and WRITE latencies in order to optimize data bus utilization
- Data mask signals (DM) to mask signal of WRITE data; DM is sampled on both edges of DK.
- Differential input clocks (CK, CK#)
- Differential input data clocks (DKx, DKx#)
- On-die DLL generates CK edge-aligned data and output data clock signals
- Data valid signal (QVLD)
- HSTL I/O (1.5V or 1.8V nominal)
- 25-60Ω matched impedance outputs
- 2.5V V_{EXT}, 1.8V V_{DD}, 1.5V or 1.8V V_{DDQ} I/O
- On-die termination (ODT) R_{TT}
- IEEE 1149.1 compliant JTAG boundary scan
- Operating temperature:
Commercial
(T_C = 0° to +95°C; T_A = 0°C to +70°C),
Industrial
(T_C = -40°C to +95°C; T_A = -40°C to +85°C)

OPTIONS

- Package:
 - 144-ball WBGA (lead-free)
- Configuration:
 - 32Mx9
 - 16Mx18
 - 8Mx36
- Clock Cycle Timing:

| Speed Grade | -25E | -25 | -33 | -5 | Unit |
|-----------------|------|-----|-----|----|------|
| t _{RC} | 15 | 20 | 20 | 20 | ns |
| t _{CK} | 2.5 | 2.5 | 3.3 | 5 | ns |

Copyright © 2020 Integrated Silicon Solution, Inc. All rights reserved. ISSI reserves the right to make changes to this specification and its products at any time without notice. ISSI assumes no liability arising out of the application or use of any information, products or services described herein. Customers are advised to obtain the latest version of this device specification before relying on any published information and before placing orders for products.

Integrated Silicon Solution, Inc. does not recommend the use of any of its products in life support applications where the failure or malfunction of the product can reasonably be expected to cause failure of the life support system or to significantly affect its safety or effectiveness. Products are not authorized for use in such applications unless Integrated Silicon Solution, Inc. receives written assurance to its satisfaction, that:

- a.) the risk of injury or damage has been minimized;
- b.) the user assume all such risks; and
- c.) potential liability of Integrated Silicon Solution, Inc is adequately protected under the circumstances

RLDRAM[®] is a registered trademark of Micron Technology, Inc.

IS49NLC93200,IS49NLC18160,IS49NLC36800



1 Package Ballout and Description

1.1 288Mb (32Mx9) Common I/O BGA Ball-out (Top View)

| | 1 | 2 | 3 | 4 | 5 | 6 | 7 | 8 | 9 | 10 | 11 | 12 |
|---|------------------|------------------|------------------|------|---|---|---|---|------|------|------------------|------|
| A | VREF | VSS | VEXT | VSS | | | | | VSS | VEXT | TMS | TCK |
| B | VDD | DNU ⁴ | DNU ⁴ | VSSQ | | | | | VSSQ | DQ0 | DNU ⁴ | VDD |
| C | VTT | DNU ⁴ | DNU ⁴ | VDDQ | | | | | VDDQ | DQ1 | DNU ⁴ | VTT |
| D | A22 ¹ | DNU ⁴ | DNU ⁴ | VSSQ | | | | | VSSQ | QK0# | QK0 | VSS |
| E | A21 ² | DNU ⁴ | DNU ⁴ | VDDQ | | | | | VDDQ | DQ2 | DNU ⁴ | A20 |
| F | A5 | DNU ⁴ | DNU ⁴ | VSSQ | | | | | VSSQ | DQ3 | DNU ⁴ | QVLD |
| G | A8 | A6 | A7 | VDD | | | | | VDD | A2 | A1 | A0 |
| H | BA2 | A9 | VSS | VSS | | | | | VSS | VSS | A4 | A3 |
| J | NF ³ | NF ³ | VDD | VDD | | | | | VDD | VDD | BA0 | CK |
| K | DK | DK# | VDD | VDD | | | | | VDD | VDD | BA1 | CK# |
| L | REF# | CS# | VSS | VSS | | | | | VSS | VSS | A14 | A13 |
| M | WE# | A16 | A17 | VDD | | | | | VDD | A12 | A11 | A10 |
| N | A18 | DNU ⁴ | DNU ⁴ | VSSQ | | | | | VSSQ | DQ4 | DNU ⁴ | A19 |
| P | A15 | DNU ⁴ | DNU ⁴ | VDDQ | | | | | VDDQ | DQ5 | DNU ⁴ | DM |
| R | VSS | DNU ⁴ | DNU ⁴ | VSSQ | | | | | VSSQ | DQ6 | DNU ⁴ | VSS |
| T | VTT | DNU ⁴ | DNU ⁴ | VDDQ | | | | | VDDQ | DQ7 | DNU ⁴ | VTT |
| U | VDD | DNU ⁴ | DNU ⁴ | VSSQ | | | | | VSSQ | DQ8 | DNU ⁴ | VDD |
| V | VREF | ZQ | VEXT | VSS | | | | | VSS | VEXT | TDO | TDI |

| Symbol | Description | Ball count | Notes: |
|--------------|---------------------------------------|------------|--|
| VDD | Supply voltage | 16 | 1. Reserved for future use. This signal is not connected. 2. Reserved for future use. This signal is internally connected and has parasitic characteristics of an address input signal. 3. No function. This signal is internally connected and has parasitic characteristics of a clock input signal. This may optionally be connected to GND. 4. Do not use. This signal is internally connected and has parasitic characteristics of a I/O. This may optionally be connected to GND. Note that if ODT is enabled, these pins are High-Z. |
| VSS | Ground | 16 | |
| VDDQ | DQ power supply | 8 | |
| VSSQ | DQ Ground | 12 | |
| VEXT | Supply voltage | 4 | |
| VREF | Reference voltage | 2 | |
| VTT | Termination voltage | 4 | |
| A* | Address - A0-22 | 23 | |
| BA* | Banks - BA0-2 | 3 | |
| DQ* | I/O | 9 | |
| DK* | Input data clock(Differential inputs) | 2 | |
| QK* | Output data clocks(outputs) | 2 | |
| CK* | Input clocks (CK, CK#) | 2 | |
| DM | Input data mask | 1 | |
| CS#,WE#,REF# | Command control pins | 3 | |
| ZQ | External impedance (25–60Ω) | 1 | |
| QVLD | Data valid | 1 | |
| DNU,NF | Do not use, No function | 31 | |
| T* | JTAG - TCK,TMS,TDO,TDI | 4 | |
| Total | | 144 | |

IS49NLC93200,IS49NLC18160,IS49NLC36800



1.2 288Mb (16Mx18) Common I/O BGA Ball-out (Top View)

| | 1 | 2 | 3 | 4 | 5 | 6 | 7 | 8 | 9 | 10 | 11 | 12 |
|---|------------------|------------------|------|------|---|---|---|---|------|------|------------------|------------------|
| A | VREF | VSS | VEXT | VSS | | | | | VSS | VEXT | TMS | TCK |
| B | VDD | DNU ⁴ | DQ4 | VSSQ | | | | | VSSQ | DQ0 | DNU ⁴ | VDD |
| C | VTT | DNU ⁴ | DQ5 | VDDQ | | | | | VDDQ | DQ1 | DNU ⁴ | VTT |
| D | A22 ¹ | DNU ⁴ | DQ6 | VSSQ | | | | | VSSQ | QK0# | QK0 | VSS |
| E | A21 ² | DNU ⁴ | DQ7 | VDDQ | | | | | VDDQ | DQ2 | DNU ⁴ | A20 ² |
| F | A5 | DNU ⁴ | DQ8 | VSSQ | | | | | VSSQ | DQ3 | DNU ⁴ | QVLD |
| G | A8 | A6 | A7 | VDD | | | | | VDD | A2 | A1 | A0 |
| H | BA2 | A9 | VSS | VSS | | | | | VSS | VSS | A4 | A3 |
| J | NF ³ | NF ³ | VDD | VDD | | | | | VDD | VDD | BA0 | CK |
| K | DK | DK# | VDD | VDD | | | | | VDD | VDD | BA1 | CK# |
| L | REF# | CS# | VSS | VSS | | | | | VSS | VSS | A14 | A13 |
| M | WE# | A16 | A17 | VDD | | | | | VDD | A12 | A11 | A10 |
| N | A18 | DNU ⁴ | DQ14 | VSSQ | | | | | VSSQ | DQ9 | DNU ⁴ | A19 |
| P | A15 | DNU ⁴ | DQ15 | VDDQ | | | | | VDDQ | DQ10 | DNU ⁴ | DM |
| R | VSS | QK1 | QK1# | VSSQ | | | | | VSSQ | DQ11 | DNU ⁴ | VSS |
| T | VTT | DNU ⁴ | DQ16 | VDDQ | | | | | VDDQ | DQ12 | DNU ⁴ | VTT |
| U | VDD | DNU ⁴ | DQ17 | VSSQ | | | | | VSSQ | DQ13 | DNU ⁴ | VDD |
| V | VREF | ZQ | VEXT | VSS | | | | | VSS | VEXT | TDO | TDI |

| Symbol | Description | Ball count | Notes: |
|--------------|---------------------------------------|------------|--|
| VDD | Supply voltage | 16 | <p>1. Reserved for future use. This may optionally be connected to GND.</p> <p>2. Reserved for future use. This signal is internally connected and has parasitic characteristics of an address input signal.</p> <p>3. No function. This signal is internally connected and has parasitic characteristics of a clock input signal. This may optionally be connected to GND.</p> <p>4. Do not use. This signal is internally connected and has parasitic characteristics of a I/O. This may optionally be connected to GND. Note that if ODT is enabled, these pins are High-Z.</p> |
| VSS | Ground | 16 | |
| VDDQ | DQ power supply | 8 | |
| VSSQ | DQ Ground | 12 | |
| VEXT | Supply voltage | 4 | |
| VREF | Reference voltage | 2 | |
| VTT | Termination voltage | 4 | |
| A* | Address - A0-22 | 23 | |
| BA* | Banks - BA0-2 | 3 | |
| DQ* | I/O | 18 | |
| DK* | Input data clock(Differential inputs) | 2 | |
| QK* | Output data clocks(outputs) | 4 | |
| CK* | Input clocks (CK, CK#) | 2 | |
| DM | Input data mask | 1 | |
| CS#,WE#,REF# | Command control pins | 3 | |
| ZQ | External impedance (25–60Ω) | 1 | |
| QVLD | Data valid | 1 | |
| DNU,NF | Do not use, No function | 20 | |
| T* | JTAG - TCK,TMS,TDO,TDI | 4 | |
| Total | | 144 | |

IS49NLC93200, IS49NLC18160, IS49NLC36800

1.3 288Mb (8Mx36) Common I/O BGA Ball-out (Top View)

| | 1 | 2 | 3 | 4 | 5 | 6 | 7 | 8 | 9 | 10 | 11 | 12 |
|---|------------------|------|------|------|---|---|---|---|------|------|------|------------------|
| A | VREF | VSS | VEXT | VSS | | | | | VSS | VEXT | TMS | TCK |
| B | VDD | DQ8 | DQ9 | VSSQ | | | | | VSSQ | DQ1 | DQ0 | VDD |
| C | VTT | DQ10 | DQ11 | VDDQ | | | | | VDDQ | DQ3 | DQ2 | VTT |
| D | A22 ¹ | DQ12 | DQ13 | VSSQ | | | | | VSSQ | QK0# | QK0 | VSS |
| E | A21 ² | DQ14 | DQ15 | VDDQ | | | | | VDDQ | DQ5 | DQ4 | A20 ² |
| F | A5 | DQ16 | DQ17 | VSSQ | | | | | VSSQ | DQ7 | DQ6 | QVLD |
| G | A8 | A6 | A7 | VDD | | | | | VDD | A2 | A1 | A0 |
| H | BA2 | A9 | VSS | VSS | | | | | VSS | VSS | A4 | A3 |
| J | DK0 | DK0# | VDD | VDD | | | | | VDD | VDD | BA0 | CK |
| K | DK1 | DK1# | VDD | VDD | | | | | VDD | VDD | BA1 | CK# |
| L | REF# | CS# | VSS | VSS | | | | | VSS | VSS | A14 | A13 |
| M | WE# | A16 | A17 | VDD | | | | | VDD | A12 | A11 | A10 |
| N | A18 | DQ24 | DQ25 | VSSQ | | | | | VSSQ | DQ35 | DQ34 | A19 ² |
| P | A15 | DQ22 | DQ23 | VDDQ | | | | | VDDQ | DQ33 | DQ32 | DM |
| R | VSS | QK1 | QK1# | VSSQ | | | | | VSSQ | DQ31 | DQ30 | VSS |
| T | VTT | DQ20 | DQ21 | VDDQ | | | | | VDDQ | DQ29 | DQ28 | VTT |
| U | VDD | DQ18 | DQ19 | VSSQ | | | | | VSSQ | DQ27 | DQ26 | VDD |
| V | VREF | ZQ | VEXT | VSS | | | | | VSS | VEXT | TDO | TDI |

| Symbol | Description | Ball count | Notes: |
|--------------|---------------------------------------|------------|--|
| VDD | Supply voltage | 16 | 1. Reserved for future use. This may optionally be connected to GND. |
| VSS | Ground | 16 | |
| VDDQ | DQ power supply | 8 | 2. Reserved for future use. This signal is internally connected and has parasitic characteristics of an address input signal. This may optionally be connected to GND. |
| VSSQ | DQ Ground | 12 | |
| VEXT | Supply voltage | 4 | |
| VREF | Reference voltage | 2 | |
| VTT | Termination voltage | 4 | |
| A* | Address - A0-22 | 23 | |
| BA* | Banks - BA0-2 | 3 | |
| DQ* | I/O | 36 | |
| DK* | Input data clock(Differential inputs) | 4 | |
| QK* | Output data clocks(outputs) | 4 | |
| CK* | Input clocks (CK, CK#) | 2 | |
| DM | Input data mask | 1 | |
| CS#,WE#,REF# | Command control pins | 3 | |
| ZQ | External impedance (25–60Ω) | 1 | |
| QVLD | Data valid | 1 | |
| DNU | Do not use | 0 | |
| T* | JTAG - TCK,TMS,TDO,TDI | 4 | |
| Total | | 144 | |

IS49NLC93200, IS49NLC18160, IS49NLC36800



1.4 Ball Descriptions

| Symbol | Type | Description |
|------------------|--------|--|
| A* | Input | Address inputs: Defines the row and column addresses for READ and WRITE operations. During a MODE REGISTER SET, the address inputs define the register settings. They are sampled at the rising edge of CK. |
| BA* | Input | Bank address inputs: Selects to which internal bank a command is being applied to. |
| CK, CK# | Input | Input clock: CK and CK# are differential input clocks. Addresses and commands are latched on the rising edge of CK. CK# is ideally 180 degrees out of phase with CK. |
| CS# | Input | Chip select: CS# enables the command decoder when LOW and disables it when HIGH. When the command decoder is disabled, new commands are ignored, but internal operations continue. |
| DQ* | I/O | Data input: The DQ signals form the data bus. During READ commands, the data is referenced to both edges of QK*. During WRITE commands, the data is sampled at both edges of DK. |
| DK*, DK*# | Input | Input data clock: DK* and DK*# are the differential input data clocks. All input data is referenced to both edges of DK*. DK*# is ideally 180 degrees out of phase with DK*. For the x36 device, DQ0–DQ17 are referenced to DK0 and DK0# and DQ18–DQ35 are referenced to DK1 and DK1#. For the x9 and x18 devices, all DQ* are referenced to DK and DK#. All DK* and DK*# pins must always be supplied to the device. |
| DM | Input | Input data mask: The DM signal is the input mask signal for WRITE data. Input data is masked when DM is sampled HIGH. DM is sampled on both edges of DK (DK1 for the x36 configuration). Tie signal to ground if not used. |
| TCK | Input | IEEE 1149.1 clock input: This ball must be tied to V _{SS} if the JTAG function is not used. |
| TMS, TDI | Input | IEEE 1149.1 test inputs: These balls may be left as no connects if the JTAG function is not used. |
| WE#, REF# | Input | Command inputs: Sampled at the positive edge of CK, WE# and REF# define (together with CS#) the command to be executed. |
| V _{REF} | Input | Input reference voltage: Nominally V _{DDQ} /2. Provides a reference voltage for the input buffers. |
| ZQ | I/O | External impedance (25–60Ω): This signal is used to tune the device outputs to the system data bus impedance. DQ output impedance is set to 0.2 × R _Q , where R _Q is a resistor from this signal to ground. Connecting ZQ to GND invokes the minimum impedance mode. |
| QK*, QK*# | Output | Output data clocks: QK* and QK*# are opposite polarity, output data clocks. They are free running, and during READs, are edge-aligned with data output from the memory. QK*# is ideally 180 degrees out of phase with QK*. For the x36 device, QK0 and QK0# are aligned with DQ0–DQ17, and QK1 and QK1# are aligned with DQ18–DQ35. For the x18 device, QK0 and QK0# are aligned with DQ0–DQ8, while QK1 and QK1# are aligned with Q9–Q17. For the x9 device, all DQs are aligned with QK0 and QK0#. |
| QVLD | Output | Data valid: The QVLD pin indicates valid output data. QVLD is edge-aligned with QK* and QK*#. |
| TDO | Output | IEEE 1149.1 test output: JTAG output. This ball may be left as no connect if the JTAG function is not used. |
| V _{DD} | Supply | Power supply: Nominally, 1.8V. |
| V _{DDQ} | Supply | DQ power supply: Nominally, 1.5V or 1.8V. Isolated on the device for improved noise immunity. |
| V _{EXT} | Supply | Power supply: Nominally, 2.5V. |
| V _{SS} | Supply | Ground. |
| V _{SSQ} | Supply | DQ ground: Isolated on the device for improved noise immunity. |
| V _{TT} | Supply | Power supply: Isolated termination supply. Nominally, V _{DDQ} /2. |
| A21 | - | Reserved for future use: This signal is internally connected. |
| A22 | - | Reserved for future use: This signal is not connected and can be connected to ground. |
| DNU | - | Do not use: These balls may be connected to ground. Note that if ODT is enabled, these pins are High-Z. |
| NF | - | No function: These balls can be connected to ground. |

IS49NLC93200, IS49NLC18160, IS49NLC36800

2 Electrical Specifications

2.1 Absolute Maximum Ratings

| Item | Min | Max | Units |
|--|-------|------------------------|-------|
| I/O Voltage | - 0.3 | V _{DDQ} + 0.3 | V |
| Voltage on V _{EXT} supply relative to V _{SS} | - 0.3 | + 2.8 | V |
| Voltage on V _{DD} supply relative to V _{SS} | - 0.3 | + 2.1 | V |
| Voltage on V _{DDQ} supply relative to V _{SS} | - 0.3 | + 2.1 | V |

Note: Stress greater than those listed in this table may cause permanent damage to the device. This is a stress rating only and functional operation of the device at these or any other conditions above those indicated in the operational sections of this specification is not implied. Exposure to absolute maximum rating conditions for extended periods may affect reliability.

2.2 DC Electrical Characteristics and Operating Conditions

| Description | Conditions | Symbol | Min | Max | Units | Notes |
|-------------------------------|---|------------------|---|---|-------|-----------|
| Supply voltage | | V _{EXT} | 2.38 | 2.63 | V | |
| Supply voltage | | V _{DD} | 1.7 | 1.9 | V | 2 |
| Isolated output buffer supply | | V _{DDQ} | 1.4 | V _{DD} | V | 2,3 |
| Reference voltage | | V _{REF} | 0.49 x V _{DDQ} | 0.51 x V _{DDQ} | V | 4,5,6 |
| Termination voltage | | V _{TT} | 0.95 x V _{REF} | 1.05 x V _{REF} | V | 7,8 |
| Input high voltage | | V _{IH} | V _{REF} + 0.1 | V _{DDQ} + 0.3 | V | 2 |
| Input low voltage | | V _{IL} | V _{SSQ} - 0.3 | V _{REF} - 0.1 | V | 2 |
| Output high current | V _{OH} = V _{DDQ} /2 | I _{OH} | (V _{DDQ} /2)/ (1.15 x RQ/5) | (V _{DDQ} /2)/ (0.85 x RQ/5) | A | 9, 10, 11 |
| Output low current | V _{OL} = V _{DDQ} /2 | I _{OL} | (V _{DDQ} /2)/ (1.15 x RQ/5) | (V _{DDQ} /2)/ (0.85 x RQ/5) | A | 9, 10, 11 |
| Clock input leakage current | 0V ≤ V _{IN} ≤ V _{DD} | I _{LC} | - 5 | 5 | μA | |
| Input leakage current | 0V ≤ V _{IN} ≤ V _{DD} | I _{LI} | - 5 | 5 | μA | |
| Output leakage current | 0V ≤ V _{IN} ≤ V _{DDQ} | I _{LO} | - 5 | 5 | μA | |
| Reference voltage current | | I _{REF} | - 5 | 5 | μA | |

Notes:

- All voltages referenced to V_{SS} (GND).
- Overshoot: V_{IH} (AC) ≤ V_{DD} + 0.7V for t ≤ t_{CK}/2. Undershoot: V_{IL} (AC) ≥ -0.5V for t ≤ t_{CK}/2. During normal operation, V_{DDQ} must not exceed V_{DD}. Control input signals may not have pulse widths less than t_{CK}/2 or operate at frequencies exceeding t_{CK} (MAX).
- V_{DDQ} can be set to a nominal 1.5V ± 0.1V or 1.8V ± 0.1V supply.
- Typically the value of V_{REF} is expected to be 0.5 x V_{DDQ} of the transmitting device. V_{REF} is expected to track variations in V_{DDQ}.
- Peak-to-peak AC noise on V_{REF} must not exceed ±2 percent V_{REF} (DC).
- V_{REF} is expected to equal V_{DDQ}/2 of the transmitting device and to track variations in the DC level of the same. Peak-to-peak noise (non-common mode) on V_{REF} may not exceed ±2 percent of the DC value. Thus, from V_{DDQ}/2, V_{REF} is allowed ±2 percent V_{DDQ}/2 for DC error and an additional ±2 percent V_{DDQ}/2 for AC noise. This measurement is to be taken at the nearest V_{REF} bypass capacitor.
- V_{TT} is expected to be set equal to V_{REF} and must track variations in the DC level of V_{REF}.
- On-die termination may be selected using mode register A9 (for non-multiplexed address mode) or Ax9 (for multiplexed address mode). A resistance R_{TT} from each data input signal to the nearest V_{TT} can be enabled. R_{TT} = 125–185Ω at 95°C T_C.
- I_{OH} and I_{OL} are defined as absolute values and are measured at V_{DDQ}/2. I_{OH} flows from the device, I_{OL} flows into the device.
- If MRS bit A8 or Ax8 is 0, use RQ = 250Ω in the equation in lieu of presence of an external impedance matched resistor.

2.3 Capacitance (T_A = 25 °C, f = 1MHz)

| Parameter | Symbol | Test Conditions | Min | Max | Units |
|---|------------------|----------------------|-----|-----|-------|
| Address / Control Input capacitance | C _{IN} | V _{IN} =0V | 1.5 | 2.5 | pF |
| I/O, Output, Other capacitance (DQ, DM, QK, QVLD) | C _{IO} | V _{IO} =0V | 3.5 | 5.0 | pF |
| Clock Input capacitance | C _{CLK} | V _{CLK} =0V | 2.0 | 3.0 | pF |
| JTAG pins | C _J | V _J =0V | 2.0 | 5.0 | pF |

Note. These parameters are not 100% tested and capacitance is not tested on ZQ pin.

IS49NLC93200, IS49NLC18160, IS49NLC36800



2.4 Operating Conditions and Maximum Limits

| Description | Condition | Symbol | -25E | -25 | -33 | -5 | units |
|-------------------------------|--|--------------------------------|------|-----|-----|-----|-------|
| Standby current | t_{CK} = idle; All banks idle; No inputs toggling | ISB1(V _{DD}) x9/x18 | 53 | 48 | 48 | 48 | mA |
| | | ISB1(V _{DD}) x36 | 53 | 48 | 48 | 48 | |
| | | ISB1(V _{EXT}) | 5 | 5 | 5 | 5 | |
| Active standby current | CS# =1; No commands; Bank address incremented and half address/data change once every 4 clock cycles | ISB2(V _{DD}) x9/x18 | 293 | 288 | 233 | 189 | mA |
| | | ISB2(V _{DD}) x36 | 293 | 288 | 233 | 189 | |
| | | ISB2(V _{EXT}) | 5 | 5 | 5 | 5 | |
| Operational current | BL=2; Sequential bank access; Bank transitions once every t_{RC} ; Half address transitions once every t_{RC} ; Read followed by write sequence; continuous data during WRITE commands | IDD1(V _{DD}) x9/x18 | 380 | 348 | 305 | 255 | mA |
| | | IDD1(V _{DD}) x36 | 400 | 374 | 343 | 292 | |
| | | IDD1(V _{EXT}) | 15 | 15 | 13 | 13 | |
| | BL = 4; Sequential bank access; Bank transitions once every t_{RC} ; Half address transitions once every t_{RC} ; Read followed by write sequence; Continuous data during WRITE commands | IDD2(V _{DD}) x9/x18 | 400 | 362 | 319 | 269 | mA |
| | | IDD2(V _{DD}) x36 | 425 | 418 | 389 | 339 | |
| | | IDD2(V _{EXT}) | 15 | 15 | 13 | 13 | |
| | BL = 8; Sequential bank access; Bank transitions once every t_{RC} ; half address transitions once every t_{RC} ; Read followed by write sequence; continuous data during WRITE commands | IDD3(V _{DD}) x9/x18 | 430 | 408 | 368 | 286 | mA |
| | | IDD3(V _{DD}) x36 | 540 | 460 | 425 | 425 | |
| | | IDD3(V _{EXT}) | 20 | 20 | 18 | 18 | |
| Burst refresh current | Eight-bank cyclic refresh; Continuous address/data; Command bus remains in refresh for all eight banks | IREF1(V _{DD}) x9/x18 | 790 | 785 | 615 | 430 | mA |
| | | IREF1(V _{DD}) x36 | 915 | 785 | 615 | 430 | |
| | | IREF1(V _{EXT}) | 80 | 80 | 70 | 70 | |
| Distributed refresh current | Single-bank refresh; Sequential bank access; Half address transitions once every t_{RC} , continuous data | IREF2(V _{DD}) x9/x18 | 330 | 325 | 267 | 221 | mA |
| | | IREF2(V _{DD}) x36 | 390 | 326 | 281 | 227 | |
| | | IREF2(V _{EXT}) | 20 | 20 | 18 | 18 | |
| Operating burst write current | BL=2; Cyclic bank access; Half of address bits change every clock cycle; Continuous data; measurement is taken during continuous WRITE | IDD2W(V _{DD}) x9/x18 | 980 | 970 | 819 | 597 | mA |
| | | IDD2W(V _{DD}) x36 | 1105 | 990 | 914 | 676 | |
| | | IDD2W(V _{EXT}) | 50 | 50 | 40 | 40 | |
| | BL=4; Cyclic bank access; Half of address bits change every 2 clock cycles; Continuous data; Measurement is taken during continuous WRITE | IDD4W(V _{DD}) x9/x18 | 785 | 779 | 609 | 439 | mA |
| | | IDD4W(V _{DD}) x36 | 887 | 882 | 790 | 567 | |
| | | IDD4W(V _{EXT}) | 30 | 30 | 25 | 25 | |
| | BL=8; Cyclic bank access; Half of address bits change every 4 clock cycles; continuous data; Measurement is taken during continuous WRITE | IDD8W(V _{DD}) x9/x18 | 675 | 668 | 525 | 364 | mA |
| | | IDD8W(V _{DD}) x36 | 755 | 750 | 580 | 580 | |
| | | IDD8W(V _{EXT}) | 30 | 30 | 25 | 25 | |
| Operating burst read current | BL=2; Cyclic bank access; Half of address bits change every clock cycle; Measurement is taken during continuous READ | IDD2R(V _{DD}) x9/x18 | 940 | 935 | 735 | 525 | mA |
| | | IDD2R(V _{DD}) x36 | 995 | 990 | 795 | 565 | |
| | | IDD2R(V _{EXT}) | 50 | 50 | 40 | 40 | |
| | BL=4; Cyclic bank access; Half of address bits change every clock cycle; Measurement is taken during continuous READ | IDD4R(V _{DD}) x9/x18 | 685 | 680 | 525 | 380 | mA |
| | | IDD4R(V _{DD}) x36 | 735 | 730 | 660 | 455 | |
| | | IDD4R(V _{EXT}) | 30 | 30 | 25 | 25 | |
| | BL=8; Cyclic bank access; Half of address bits change every clock cycle; Measurement is taken during continuous READ | IDD8R(V _{DD}) x9/x18 | 575 | 570 | 450 | 310 | mA |
| | | IDD8R(V _{DD}) x36 | 665 | 660 | 505 | 505 | |
| | | IDD8R(V _{EXT}) | 30 | 30 | 25 | 25 | |

IS49NLC93200, IS49NLC18160, IS49NLC36800

- Notes:
- 1) IDD specifications are tested after the device is properly initialized. $+0^{\circ}\text{C} \leq T_c \leq +95^{\circ}\text{C}$; $+1.7\text{V} \leq V_{DD} \leq +1.9\text{V}$, $+2.38\text{V} \leq V_{EXT} \leq +2.63\text{V}$, $+1.4\text{V} \leq V_{DDQ} \leq V_{DD}$, $V_{REF} = V_{DDQ}/2$.
 - 2) $t_{CK} = t_{BK} = \text{MIN}$, $t_{RC} = \text{MIN}$.
 - 3) Definitions for IDD conditions:
 - a. LOW is defined as $V_{IN} \leq V_{IL}(\text{AC}) \text{ MAX}$.
 - b. HIGH is defined as $V_{IN} \geq V_{IH}(\text{AC}) \text{ MIN}$.
 - c. Stable is defined as inputs remaining at a HIGH or LOW level.
 - d. Floating is defined as inputs at $V_{REF} = V_{DDQ}/2$.
 - e. Continuous data is defined as half the D or Q signals changing between HIGH and LOW every half clock cycle (twice per clock).
 - f. Continuous address is defined as half the address signals changing between HIGH and LOW every clock cycle (once per clock).
 - g. Sequential bank access is defined as the bank address incrementing by one every t_{RC} .
 - h. Cyclic bank access is defined as the bank address incrementing by one for each command access. For $BL = 2$ this is every clock, for $BL = 4$ this is every other clock, and for $BL = 8$ this is every fourth clock.
 - 4) CS# is HIGH unless a READ, WRITE, AREF, or MRS command is registered. CS# never transitions more than once per clock cycle.
 - 5) IDD parameters are specified with ODT disabled.
 - 6) Tests for AC timing, IDD, and electrical AC and DC characteristics may be conducted at nominal reference/supply voltage levels, but the related specifications and device operations are tested for the full voltage range specified.
 - 7) IDD tests may use a V_{IL} -to- V_{IH} swing of up to 1.5V in the test environment, but input timing is still referenced to V_{REF} (or to the crossing point for CK/CK#). Parameter specifications are tested for the specified AC input levels under normal use conditions. The minimum slew rate for the input signals used to test the device is 2 V/ns in the range between $V_{IL}(\text{AC})$ and $V_{IH}(\text{AC})$.

2.5 Recommended AC Operating Conditions

($+0^{\circ}\text{C} \leq T_c \leq +95^{\circ}\text{C}$; $+1.7\text{V} \leq V_{DD} \leq +1.9\text{V}$, unless otherwise noted.)

| Parameter | Symbol | Min | Max | Units |
|--------------------|---------------------|-----------------|-----------------|-------|
| Input HIGH voltage | $V_{IH}(\text{AC})$ | $V_{REF} + 0.2$ | - | V |
| Input LOW voltage | $V_{IL}(\text{AC})$ | - | $V_{REF} - 0.2$ | V |

- Notes:
1. Overshoot: $V_{IH}(\text{AC}) \leq V_{DDQ} + 0.7\text{V}$ for $t \leq t_{CK}/2$.
 2. Undershoot: $V_{IL}(\text{AC}) \geq -0.5\text{V}$ for $t \leq t_{CK}/2$.
 3. Control input signals may not have pulse widths less than $t_{CKH}(\text{MIN})$ or operate at cycle rates less than $t_{CK}(\text{MIN})$.

2.6 Temperature and Thermal Impedance

Temperature Limits

| Parameter | Symbol | Min | Max | Units |
|---|--------|-----|------|--------------------|
| Reliability junction temperature ¹ | T_J | 0 | +110 | $^{\circ}\text{C}$ |
| Operating junction temperature ² | T_J | 0 | +100 | $^{\circ}\text{C}$ |
| Operating case temperature ³ | T_C | 0 | +95 | $^{\circ}\text{C}$ |

- Notes:
1. Temperatures greater than 110°C may cause permanent damage to the device. This is a stress rating only and functional operation of the device at or above this is not implied. Exposure to absolute maximum rating conditions for extended periods may affect reliability of the part.
 2. Junction temperature depends upon cycle time, loading, ambient temperature, and airflow.
 3. MAX operating case temperature; T_C is measured in the center of the package. Device functionality is not guaranteed if the device exceeds maximum T_C during operation.

Thermal Resistance

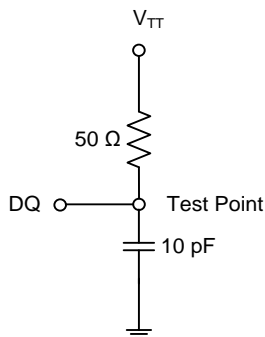
| Package | Substrate | Theta-ja (Airflow = 0m/s) | Theta-ja (Airflow = 1m/s) | Theta-ja (Airflow = 2m/s) | Theta-jc | Unit |
|---------------|-----------|------------------------------|------------------------------|------------------------------|----------|------|
| 144-ball WBGA | 4-layer | 20.8 | 19.1 | 17.2 | 2.4 | C/W |

IS49NLC93200, IS49NLC18160, IS49NLC36800

2.7 AC Electrical Characteristics ^(1, 2, 3, 4)

| Description | Symbol | -25E (2.5ns @t _{RC} =15ns) | | -25 (2.5ns @t _{RC} =20ns) | | -33 (3.3ns @t _{RC} =20ns) | | -5 (5ns @t _{RC} =20ns) | | Units |
|--|---------------------------------------|--|------|--|------|--|------|--|------|------------------|
| | | Min | Max | Min | Max | Min | Max | Min | Max | |
| Input clock cycle time | t _{CK} | 2.5 | 5.7 | 2.5 | 5.7 | 3.3 | 5.7 | 5.0 | 5.7 | ns |
| Input data clock cycle time | t _{DK} | t _{CK} | – | t _{CK} | – | t _{CK} | – | t _{CK} | – | ns |
| Clock jitter: period ^(5, 6) | t _{JITPER} | –150 | 150 | –150 | 150 | –200 | 200 | –250 | 250 | ps |
| Clock jitter: cycle-to-cycle | t _{JITCC} | – | 300 | – | 300 | – | 400 | – | 500 | ps |
| Clock HIGH time | t _{CKH} /t _{DKH} | 0.45 | 0.55 | 0.45 | 0.55 | 0.45 | 0.55 | 0.45 | 0.55 | t _{CK} |
| Clock LOW time | t _{CKL} /t _{DKL} | 0.45 | 0.55 | 0.45 | 0.55 | 0.45 | 0.55 | 0.45 | 0.55 | t _{CK} |
| Clock to input data clock | t _{CKDK} | –0.45 | 0.5 | –0.3 | 0.5 | –0.3 | 1.0 | –0.3 | 1.5 | ns |
| Mode register set cycle time to any command | t _{MRS} | 6 | – | 6 | – | 6 | – | 6 | – | t _{CK} |
| Address/command and input setup time | t _{AS} /t _{CS} | 0.4 | – | 0.4 | – | 0.5 | – | 0.8 | – | ns |
| Data-in and data mask to DK setup time | t _{DS} | 0.25 | – | 0.25 | – | 0.3 | – | 0.4 | – | ns |
| Address/command and input hold time | t _{AH} /t _{CH} | 0.4 | – | 0.4 | – | 0.5 | – | 0.8 | – | ns |
| Data-in and data mask to DK hold time | t _{DH} | 0.25 | – | 0.25 | – | 0.3 | – | 0.4 | – | ns |
| Output data clock HIGH time | t _{QKH} | 0.9 | 1.1 | 0.9 | 1.1 | 0.9 | 1.1 | 0.9 | 1.1 | t _{CKH} |
| Output data clock LOW time | t _{QKL} | 0.9 | 1.1 | 0.9 | 1.1 | 0.9 | 1.1 | 0.9 | 1.1 | t _{CKL} |
| Half-clock period | t _{QHP} | MIN(t _{QKH} , t _{QKL}) | – | MIN(t _{QKH} , t _{QKL}) | – | MIN(t _{QKH} , t _{QKL}) | – | MIN(t _{QKH} , t _{QKL}) | – | |
| QK edge to clock edge skew | t _{CKQK} | –0.25 | 0.25 | –0.25 | 0.25 | –0.3 | 0.3 | –0.5 | 0.5 | ns |
| QK edge to output data edge ⁽⁷⁾ | t _{QKQ0} , t _{QKQ1} | –0.2 | 0.2 | –0.2 | 0.2 | –0.25 | 0.25 | –0.3 | 0.3 | ns |
| QK edge to any output data edge ⁽⁸⁾ | t _{QKQ} | –0.3 | 0.3 | –0.3 | 0.3 | –0.35 | 0.35 | –0.4 | 0.4 | ns |
| QK edge to QVLD | t _{QKVLD} | –0.3 | 0.3 | –0.3 | 0.3 | –0.35 | 0.35 | –0.4 | 0.4 | ns |
| Data valid window | t _{DVW} | t _{QHP} - (t _{QKQx} [MAX] + t _{QKQx} [MIN]) | – | t _{QHP} - (t _{QKQx} [MAX] + t _{QKQx} [MIN]) | – | t _{QHP} - (t _{QKQx} [MAX] + t _{QKQx} [MIN]) | – | t _{QHP} - (t _{QKQx} [MAX] + t _{QKQx} [MIN]) | – | |
| Average periodic refresh interval ⁽⁹⁾ | t _{REFI} | – | 0.49 | – | 0.49 | – | 0.49 | – | 0.49 | μs |

- Notes:
1. All timing parameters are measured relative to the crossing point of CK/CK#, DK/DK# and to the crossing point with V_{REF} of the command, address, and data signals.
 2. Outputs measured with equivalent load:



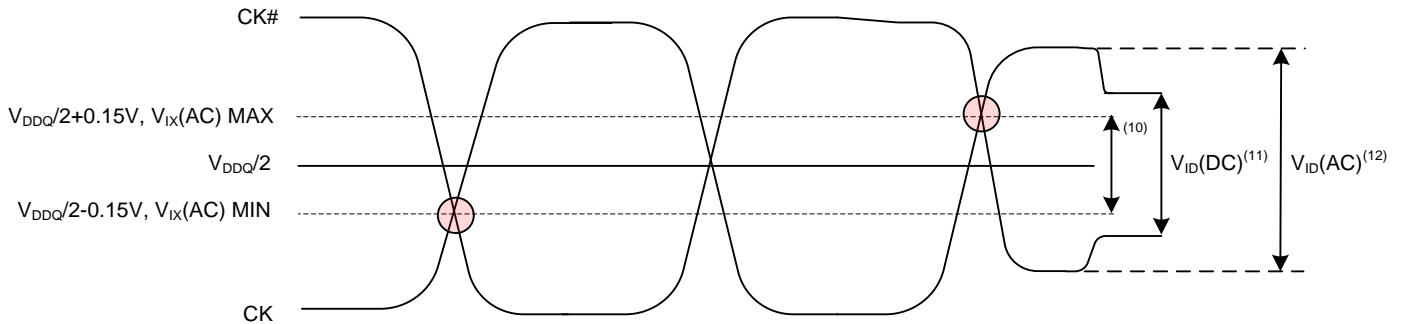
3. Tests for AC timing, IDD, and electrical AC and DC characteristics may be conducted at nominal reference/supply voltage levels, but the related specifications and device operations are tested for the full voltage range specified.
4. AC timing may use a V_{IL} -to- V_{IH} swing of up to 1.5V in the test environment, but input timing is still referenced to V_{REF} (or to the crossing point for CK/CK#), and parameter specifications are tested for the specified AC input levels under normal use conditions. The minimum slew rate for the input signals used to test the device is 2 V/ns in the range between $V_{IL}(AC)$ and $V_{IH}(AC)$.
5. Clock phase jitter is the variance from clock rising edge to the next expected clock rising edge.
6. Frequency drift is not allowed.
7. For a x36 device, DQ0-DQ17 is referenced to t_{QKQ0} and DQ18-DQ35 is referenced to t_{QKQ1} . For a x18 device, DQ0-DQ8 is referenced to t_{QKQ0} and DQ9-DQ17 is referenced to t_{QKQ1} . For a x9 device, t_{QKQ0} is referenced to DQ0-DQ8.
8. t_{QKQ} takes into account the skew between any QKx and any Q.
9. To improve efficiency, eight AREF commands (one for each bank) can be posted to the memory on consecutive cycles at periodic intervals of 3.90 μ s.

2.8 Clock Input Conditions

Differential Input Clock Operating Conditions

| Parameter | Symbol | Min | Max | Units | Notes |
|--|--------------|------------------|------------------|-------|-------|
| Clock Input Voltage Level | $V_{IN}(DC)$ | -0.3 | $V_{DDQ}+0.3$ | V | |
| Clock Input Differential Voltage Level | $V_{ID}(DC)$ | 0.2 | $V_{DDQ}+0.6$ | V | 8 |
| Clock Input Differential Voltage Level | $V_{ID}(AC)$ | 0.4 | $V_{DDQ}+0.6$ | V | 8 |
| Clock Input Crossing Point Voltage Level | $V_{IX}(AC)$ | $V_{DDQ}/2-0.15$ | $V_{DDQ}/2+0.15$ | V | 9 |

Clock Input Example



- Notes:
1. DKx and DKx# have the same requirements as CK and CK#.
 2. All voltages referenced to V_{SS}.
 3. Tests for AC timing, IDD and electrical AC and DC characteristics may be conducted at normal reference/supply voltage levels; but the related specifications and device operations are tested for the full voltage range specified.
 4. AC timing and IDD tests may use a V_{IL}-to-V_{IH} swing of up to 1.5V in the test environment, but input timing is still referenced to V_{REF} (or the crossing point for CK/CK#), and parameters specifications are tested for the specified AC input levels under normal use conditions. The minimum slew rate for the input signals used to test the device is 2V/ns in the range between V_{IL}(AC) and V_{IH}(AC).
 5. The AC and DC input level specifications are as defined in the HSTL Standard (i.e. the receiver will effectively switch as a result of the signal crossing the AC input level, and will remain in that state as long as the signal does not ring back above[below] the DC input LOW[HIGH] level).
 6. The CK/CK# input reference level (for timing referenced to CK/CK#) is the point at which CK and CK# cross. The input reference level for signal other than CK/CK# is V_{REF}.
 7. CK and CK# input slew rate must be $\geq 2\text{V/ns}$ ($\geq 4\text{V/ns}$ if measured differentially).
 8. V_{ID} is the magnitude of the difference between the input level on CK and input level on CK#.
 9. The value of V_{ix} is expected to equal V_{DDQ}/2 of the transmitting device and must track variations in the DC level of the same.
 10. CK and CK# must cross within the region.
 11. CK and CK# must meet at least V_{ID}(DC) (MIN.) when static and centered on V_{DDQ}/2.
 12. Minimum peak-to-peak swing.

IS49NLC93200, IS49NLC18160, IS49NLC36800

3 Functional Descriptions

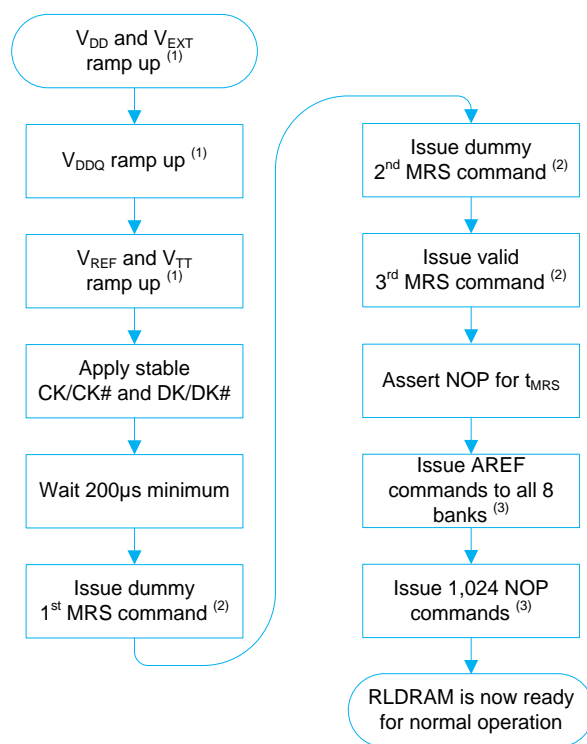
3.1 Power-up and Initialization ⁽¹⁾

The RLDRAM[®] 2 Memory must be powered-up and initialized using the specific steps listed below:

1. Apply power by ramping up supply voltages V_{EXT} , V_{DD} , V_{DDQ} , V_{REF} , and V_{TT} . Apply V_{DD} and V_{EXT} before or at the same time as V_{DDQ} ⁽²⁾. Power-up sequence begins when both V_{DD} and V_{EXT} approach their nominal levels. Afterwards, apply V_{DDQ} before or at the same time as V_{REF} and V_{TT} . Once the supply voltages are stable, clock inputs CK/CK# and DK/DK# can be applied. Register NOP commands to the control pins to avoid issuing unwanted commands to the device.
2. Keep applying stable conditions for a minimum of 200 μ s.
3. Register at least three consecutive MRS commands consisting of two or more dummy MRS commands and one valid MRS command. Timing parameter t_{MRS} is not required to be met during these consecutive MRS commands but asserting a LOW logic to the address signals is recommended.
4. t_{MRS} timing delay after the valid MRS command, Auto Refresh commands to all 8 banks and 1,024 NOP commands must be issued prior to normal operation. The Auto Refresh commands to the 8 banks can be issued in any order with respect to the 1,024 NOP commands. Please note that the t_{RC} timing parameter must be met between an Auto Refresh command and a valid command in the same bank.
5. The device is now ready for normal operation.

- Notes:
1. Operational procedure other than the one listed above may result in undefined operations and may permanently damage the device.
 2. V_{DDQ} can be applied before V_{DD} but will result in all DQ data pin, DM, and output pins to go logic HIGH (instead of tri-state) and will remain HIGH until the V_{DD} is the same level as V_{DDQ} . This method is not recommended to avoid bus conflicts during the power-up.

3.2 Power-up and Initialization Flowchart

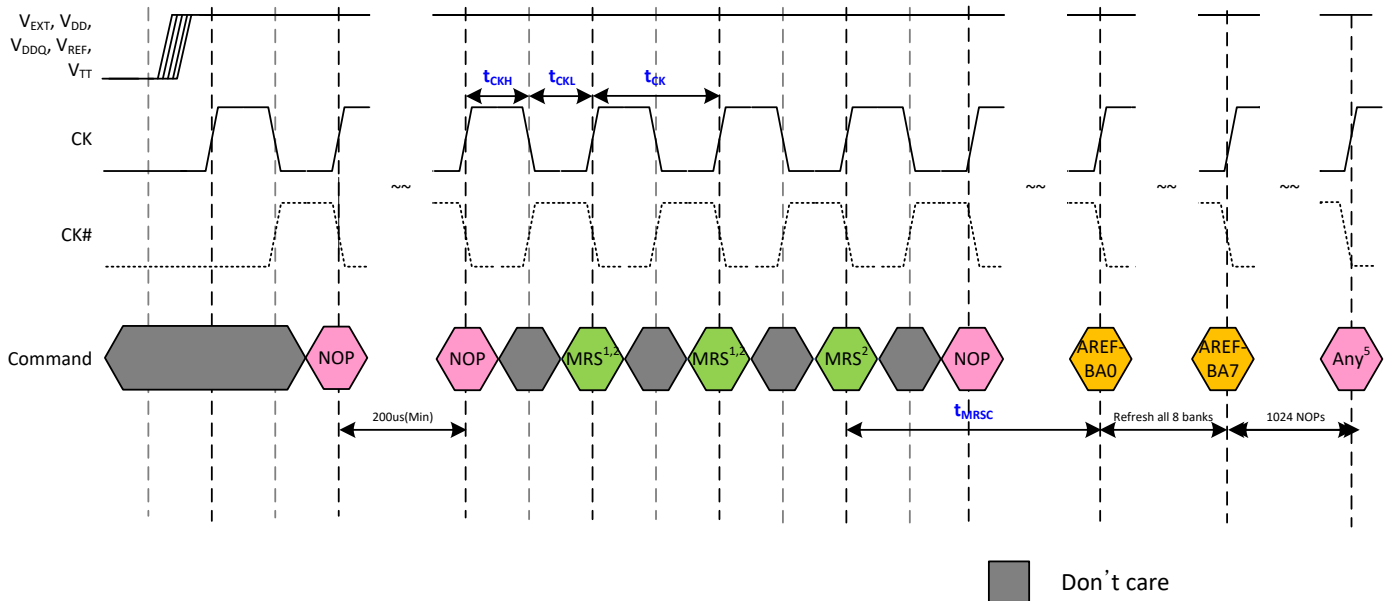


- Notes:
1. The supply voltages can be ramped up simultaneously.
 2. The dummy and valid MRS commands must be issued in consecutive clock cycles. At least two dummy MRS commands are required. It is recommended to assert a LOW logic on the address signals during the dummy MRS commands.
 3. The Auto Refresh commands can be issued in any order with respect to the 1,024 NOP commands. However, timing parameter t_{RC} must be met before issuing any valid command in a bank after an AREF command to the same bank has been issued.

3.3 Power-up and Initialization Timing Diagram

IS49NLC93200, IS49NLC18160, IS49NLC36800

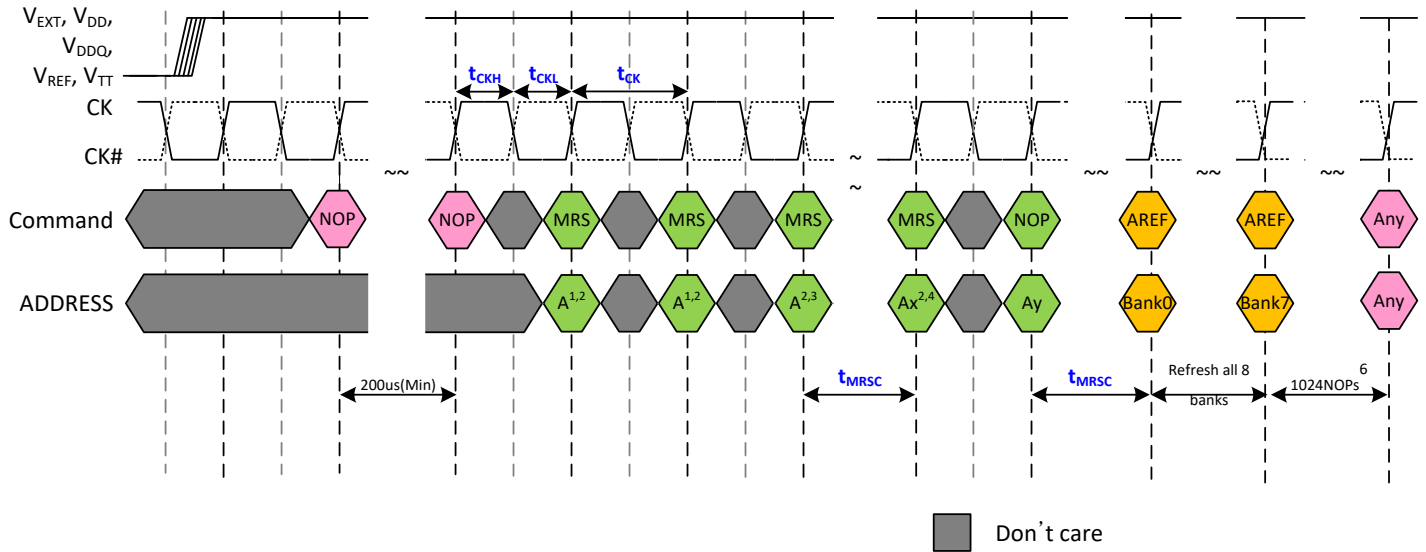
Non-multiplexed Address Mode



Notes:

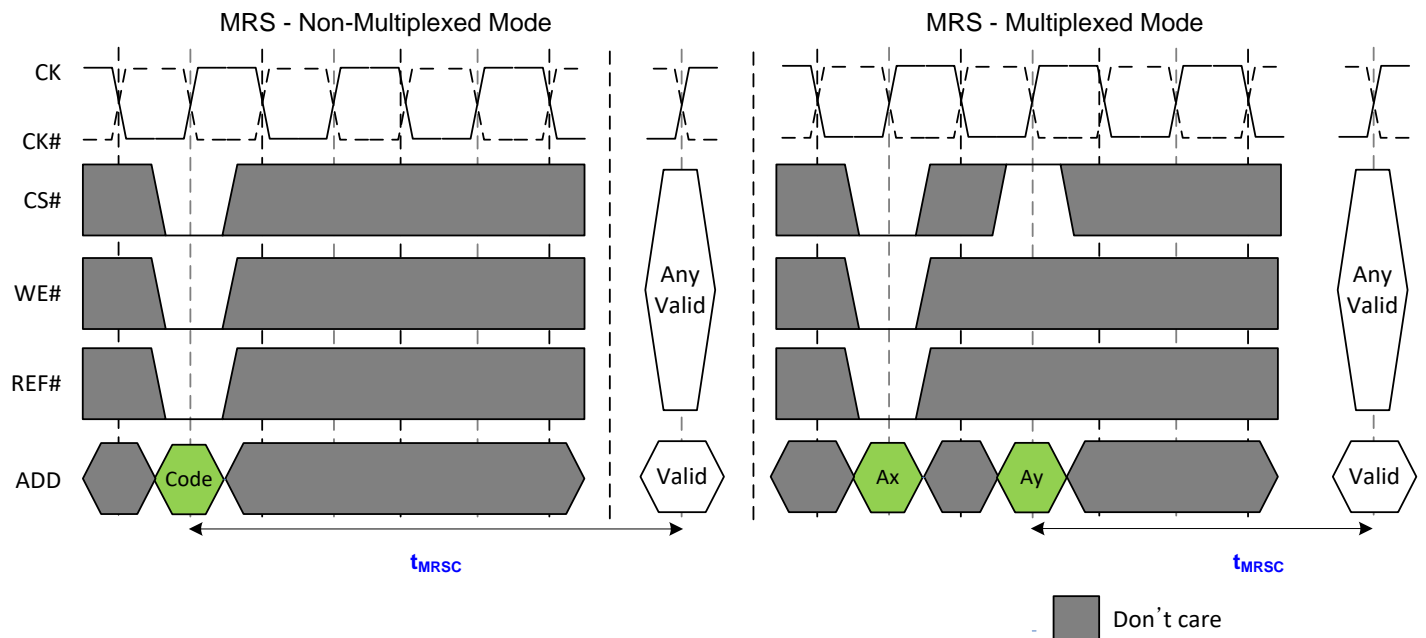
1. It is recommended that the address input signals be driven LOW during the dummy MRS commands.
2. A10–A17 must be LOW.
3. DLL must be reset if t_{CK} or V_{DD} are changed.
4. CK and CK# must be separated at all times to prevent invalid commands from being issued.
5. The Auto Refresh commands can be issued in any order with respect to the 1,024 NOP commands. However, timing parameter t_{RC} must be met before issuing any valid command in a bank after an AREF command to the same bank has been issued.

Multiplexed Address Mode



- Notes:
1. It is recommended that the address input signals be driven LOW during the dummy MRS commands.
 2. A10–A18 must be LOW.
 3. Set address A5 HIGH. This enables the part to enter multiplexed address mode when in non-multiplexed mode operation. Multiplexed address mode can also be entered at some later time by issuing an MRS command with A5 HIGH. Once address bit A5 is set HIGH, t_{MRSC} must be satisfied before the two cycle multiplexed mode MRS command is issued.
 4. Address A5 must be set HIGH. This and the following step set the desired mode register once the memory is in multiplexed address mode.
 5. CK and CK# must be separated at all times to prevent invalid commands from being issued.
 6. The Auto Refresh commands can be issued in any order with respect to the 1,024 NOP commands. However, timing parameter t_{RC} must be met before issuing any valid command (Any) in a bank after an AREF command to the same bank has been issued.

3.4 Mode Register Setting and Features

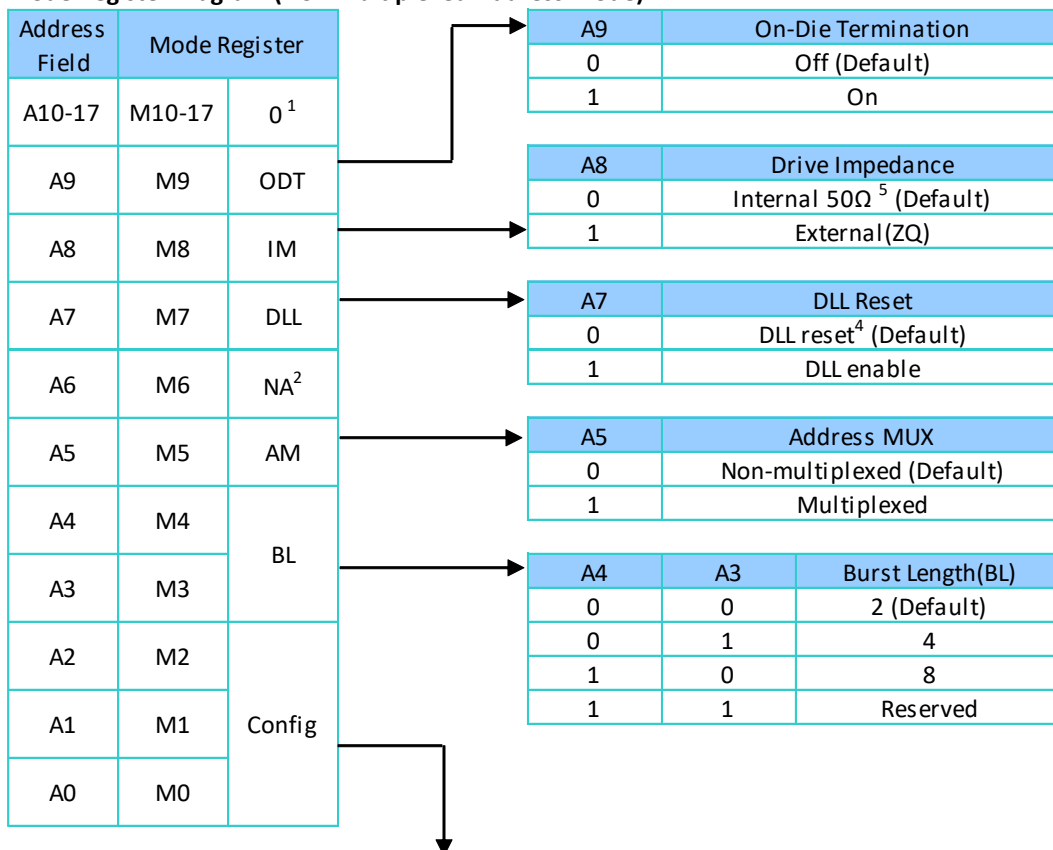


Note: The MRS command can only be issued when all banks are idle and no bursts are in progress.

IS49NLC93200, IS49NLC18160, IS49NLC36800

The Mode Register Set command stores the data for controlling the various operating modes of the memory using address inputs A0-A17 as mode registers. During the MRS command, the cycle time and the read/write latency of the memory can be selected from different configurations. The MRS command also programs the memory to operate in either Multiplexed Address Mode or Non-multiplexed Address Mode. In addition, several features can be enabled using the MRS command. These are the DLL, Drive Impedance Matching, and On-Die Termination (ODT). t_{MRSC} must be met before any command can be issued. t_{MRSC} is measured like the picture above in both Multiplexed and Non-multiplexed mode.

Mode Register Diagram (Non-multiplexed Address Mode)



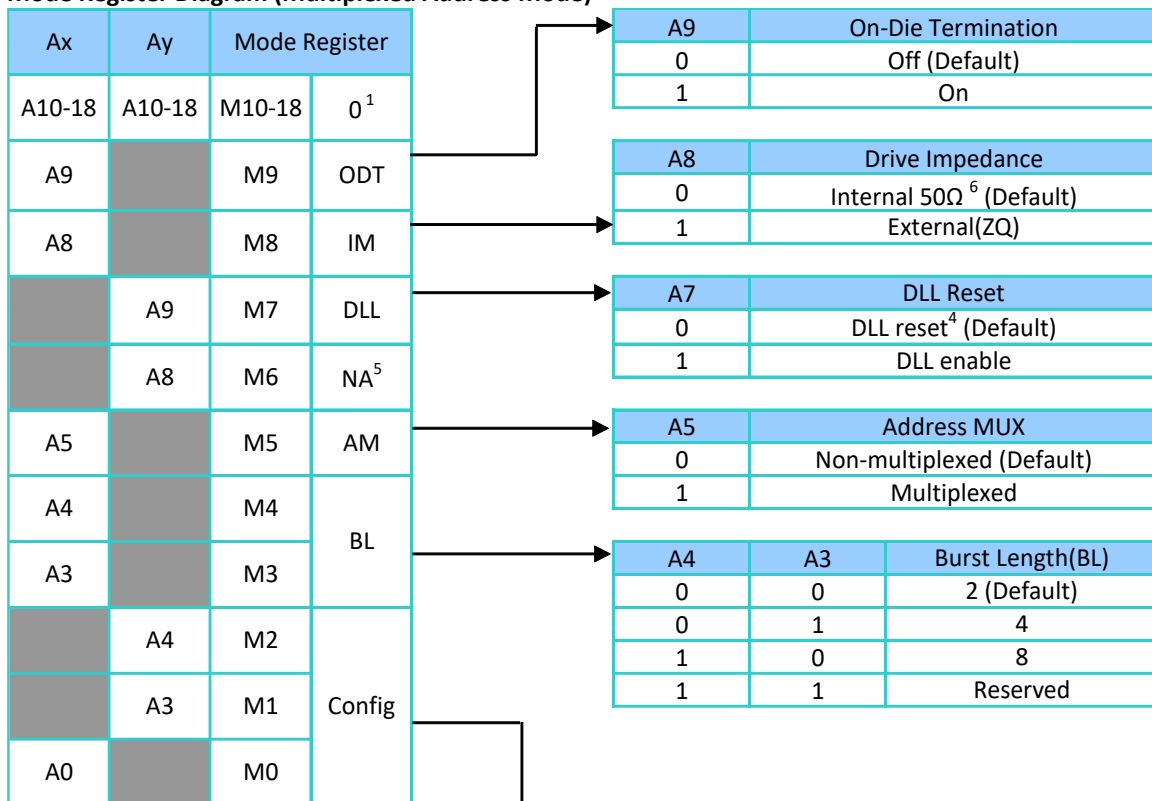
| Read/Write Latency and Cycle Time Configuration ⁶ | | | | | | | Valid Frequency Range (MHz) |
|--|----|----|--------------------------|----------|----------|----------|-----------------------------|
| A2 | A1 | A0 | Configuration | tRC(tCK) | tRL(tCK) | tWL(tCK) | |
| 0 | 0 | 0 | 1 ³ (Default) | 4 | 4 | 5 | 266-175 |
| 0 | 0 | 1 | 1 ³ | 4 | 4 | 5 | 266-175 |
| 0 | 1 | 0 | 2 | 6 | 6 | 7 | 400-175 |
| 0 | 1 | 1 | 3 | 8 | 8 | 9 | 533-175 ⁸ |
| 1 | 0 | 0 | 4 ^{3,7} | 3 | 3 | 4 | 200-175 |
| 1 | 0 | 1 | 5 | 5 | 5 | 6 | 333-175 |
| 1 | 1 | 0 | Reserved | n/a | n/a | n/a | n/a |
| 1 | 1 | 1 | Reserved | n/a | n/a | n/a | n/a |

Notes:

- A10-A17 must be set to zero; A18-An are "Don't cares."
- A6 not used in MRS.
- BL = 8 is not available.
- DLL RESET turns the DLL off.
- ±30 % temperature variation.
- $t_{RC} < 20ns$ in any configuration is only available with -25E speed grade.
- The minimum t_{RC} is typically 3 cycles, except in the case of a WRITE followed by a READ to the same bank. In this instance the minimum t_{RC} is 4 cycles.
- tCK must be met to use this configuration. For tCK values, please refer to AC Electrical Characteristics table.

IS49NLC93200, IS49NLC18160, IS49NLC36800

Mode Register Diagram (Multiplexed Address Mode)



| Read/Write Latency and Cycle Time Configuration ⁸ | | | | | | | Valid Frequency Range (MHz) |
|--|-----|-----|--------------------------|----------|----------|----------|-----------------------------|
| Ay4 | Ay3 | Ax0 | Configuration | tRC(tCK) | tRL(tCK) | tWL(tCK) | |
| 0 | 0 | 0 | 1 ² (Default) | 4 | 5 | 6 | 266-175 |
| 0 | 0 | 1 | 1 ² | 4 | 5 | 6 | 266-175 |
| 0 | 1 | 0 | 2 | 6 | 7 | 8 | 400-175 |
| 0 | 1 | 1 | 3 | 8 | 9 | 10 | 533-175 ¹⁰ |
| 1 | 0 | 0 | 4 ^{2,9} | 3 | 4 | 5 | 200-175 |
| 1 | 0 | 1 | 5 | 5 | 6 | 7 | 333-175 |
| 1 | 1 | 0 | Reserved | n/a | n/a | n/a | n/a |
| 1 | 1 | 1 | Reserved | n/a | n/a | n/a | n/a |

Notes:

- A10-A18 must be set to zero; A18-An are "Don't cares."
- BL = 8 is not available.
- ±30 % temperature variation.
- DLL RESET turns the DLL off.
- Ay = 8 is not used in MRS.
- BA0-BA2 are "Don't care."
- Addresses A0, A3, A4, A5, A8, and A9 must be set as shown in order to activate the mode register in the multiplexed address mode.
- t_{RC} < 20ns in any configuration is only available with -25E speed grade.
- The minimum t_{RC} is typically 3 cycles, except in the case of a WRITE followed by a READ to the same bank. In this instance the minimum t_{RC} is 4 cycles.
- tCK must be met to use this configuration. For tCK values, please refer to AC Electrical Characteristics table.

IS49NLC93200, IS49NLC18160, IS49NLC36800

3.5 Mode Register Bit Description

Configuration

The cycle time and read/write latency can be configured from the different options shown in the Mode Register Diagram. In order to maximize data bus utilization, the WRITE latency is equal to READ latency plus one. The read and write latencies are increased by one clock cycle during multiplexed address mode compared to non-multiplexed mode.

Burst Length

The burst length of the read and write accesses to memory can be selected from three different options: 2, 4, and 8. Changes in the burst length affect the width of the address bus and is shown in the *Burst Length and Address Width Table*. The data written during a prior burst length setting is not guaranteed to be accurate when the burst length of the device is changed.

Burst Length and Address Width Table

| Burst Length | 288Mb Address Bus | | |
|--------------|-------------------|--------|--------|
| | x9 | x18 | x36 |
| 2 | A0-A20 | A0-A19 | A0-A18 |
| 4 | A0-A19 | A0-A18 | A0-A17 |
| 8 | A0-A18 | A0-A17 | A0-A16 |

DLL Reset

The default setting for this option is LOW, whereby the DLL is disabled. Once the mode register for this feature is set HIGH, 1024 cycles (5 μ s at 200 MHz) are needed before a READ command can be issued. This time allows the internal clock to be synchronized with the external clock. Failing to wait for synchronization to occur may result in a violation of the t_{CKQK} parameter. A reset of the DLL is necessary if t_{CK} or V_{DD} is changed after the DLL has already been enabled. To reset the DLL, an MRS command must be issued where the DLL Reset Mode Register is set LOW. After waiting t_{MRS} , a subsequent MRS command should be issued whereby the DLL Reset Mode Register is set HIGH. 1024 clock cycles are then needed before a READ command is issued.

Drive Impedance Matching

The RLD RAM[®] 2 Memory is equipped with programmable impedance output buffers. The purpose of the programmable impedance output buffers is to allow the user to match the driver impedance to the system. To adjust the impedance, an external precision resistor (RQ) is connected between the ZQ ball and V_{SS} . The value of the resistor must be five times the desired impedance. For example, a 300 Ω resistor is required for an output impedance of 60 Ω . The range of RQ is 125–300 Ω , which guarantees output impedance in the range of 25–60 Ω (within 15 percent). Output impedance updates may be required because over time variations may occur in supply voltage and temperature. When the external drive impedance is enabled in the MRS, the device will periodically sample the value of RQ. An impedance update is transparent to the system and does not affect device operation. All data sheet timing and current specifications are met during an update. When the Drive Impedance Mode Register is set LOW during the MRS command, the memory provides an internal impedance at the output buffer of 50 Ω (\pm 30% with temperature variation). This impedance is also periodically sampled and adjusted to compensate for variation in supply voltage and temperature.

Address Multiplexing

Although the RLD RAM[®] 2 Memory is capable of accepting all the addresses in a single rising clock edge, this memory can be programmed to operate in multiplexed address mode, which is very similar to a traditional DRAM. In multiplexed address mode, the address can be sent to the memory in two parts within two consecutive rising clock edges. This minimizes the number of address signal connections between the controller and the memory by reducing the address bus to a maximum of only 11 lines. Since the memory requires two clock cycles to read and write the data, data bus efficiency is affected when operating in continuous burst mode with a burst length of 2 setting. Bank addresses are provided to the memory at the same time as the WRITE and READ commands together with the first address part, A_x . The second address part, A_y , is then issued to the memory on the next rising clock edge. AREF commands only require the bank address. Since AREF commands do not need a second consecutive clock for address latching, they may be issued on consecutive clocks.

Address Mapping in Multiplexed Address Mode

| Data Width | Burst Length | Address | | | | | | | | | | | |
|------------|--------------|---------|-----|----|----|----|----|----|-----|-----|-----|-----|-----|
| | | Ball | A0 | A3 | A4 | A5 | A8 | A9 | A10 | A13 | A14 | A17 | A18 |
| X36 | 2 | Ax | A0 | A3 | A4 | A5 | A8 | A9 | A10 | A13 | A14 | A17 | A18 |
| | | Ay | X | A1 | A2 | X | A6 | A7 | X | A11 | A12 | A16 | A15 |
| | 4 | Ax | A0 | A3 | A4 | A5 | A8 | A9 | A10 | A13 | A14 | A17 | X |
| | | Ay | X | A1 | A2 | X | A6 | A7 | X | A11 | A12 | A16 | A15 |
| | 8 | Ax | A0 | A3 | A4 | A5 | A8 | A9 | A10 | A13 | A14 | X | X |
| | | Ay | X | A1 | A2 | X | A6 | A7 | X | A11 | A12 | A16 | A15 |
| X18 | 2 | Ax | A0 | A3 | A4 | A5 | A8 | A9 | A10 | A13 | A14 | A17 | A18 |
| | | Ay | X | A1 | A2 | X | A6 | A7 | A19 | A11 | A12 | A16 | A15 |
| | 4 | Ax | A0 | A3 | A4 | A5 | A8 | A9 | A10 | A13 | A14 | A17 | A18 |
| | | Ay | X | A1 | A2 | X | A6 | A7 | X | A11 | A12 | A16 | A15 |
| | 8 | Ax | A0 | A3 | A4 | A5 | A8 | A9 | A10 | A13 | A14 | A17 | X |
| | | Ay | X | A1 | A2 | X | A6 | A7 | X | A11 | A12 | A16 | A15 |
| X9 | 2 | Ax | A0 | A3 | A4 | A5 | A8 | A9 | A10 | A13 | A14 | A17 | A18 |
| | | Ay | A20 | A1 | A2 | X | A6 | A7 | A19 | A11 | A12 | A16 | A15 |
| | 4 | Ax | A0 | A3 | A4 | A5 | A8 | A9 | A10 | A13 | A14 | A17 | A18 |
| | | Ay | X | A1 | A2 | X | A6 | A7 | A19 | A11 | A12 | A16 | A15 |
| | 8 | Ax | A0 | A3 | A4 | A5 | A8 | A9 | A10 | A13 | A14 | A17 | A18 |
| | | Ay | X | A1 | A2 | X | A6 | A7 | X | A11 | A12 | A16 | A15 |

Note: X = Don't Care.

On-Die Termination (ODT)

If the ODT is enabled, the DQs and DM are terminated to V_{TT} with a resistance R_{TT} . The command, address, QVLD, and clock signals are not terminated. Figure 3.1 shows the equivalent circuit of a DQ receiver with ODT. The ODT function is dynamically switched off when a DQ begins to drive after a READ command is issued. Similarly, ODT is designed to switch on at the DQs after the memory has issued the last piece of data. The DM pin will always be terminated.

ODT DC Parameters Table

| Description | Symbol | Min | Max | Units | Notes |
|---------------------|----------|-----------------------|-----------------------|----------|-------|
| Termination Voltage | V_{TT} | $0.95 \times V_{REF}$ | $1.05 \times V_{REF}$ | V | 1, 2 |
| On-die termination | R_{TT} | 125 | 185 | Ω | 3 |

Notes:

1. All voltages referenced to V_{SS} (GND).
2. V_{TT} is expected to be set equal to V_{REF} and must track variations in the DC level of V_{REF} .
3. The R_{TT} value is measured at $95^\circ\text{C } T_C$.

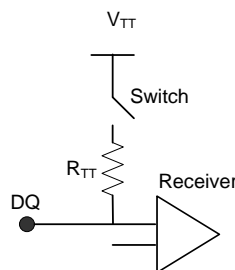


Figure 3.1 ODT Equivalent Circuit

IS49NLC93200, IS49NLC18160, IS49NLC36800

3.6 Deselect/No Operation (DESL/NOP)

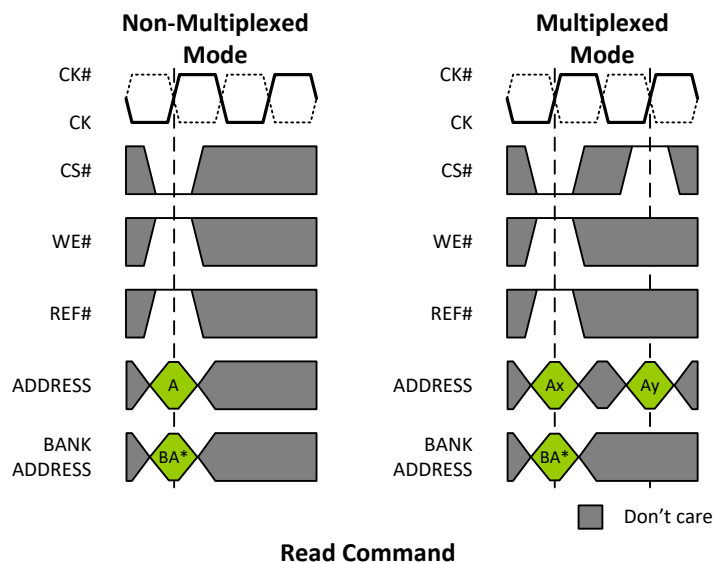
The Deselect command is used to prevent unwanted operations from being performed in the memory device during wait or idle states. Operations already registered to the memory prior to the assertion of the Deselect command will not be cancelled.

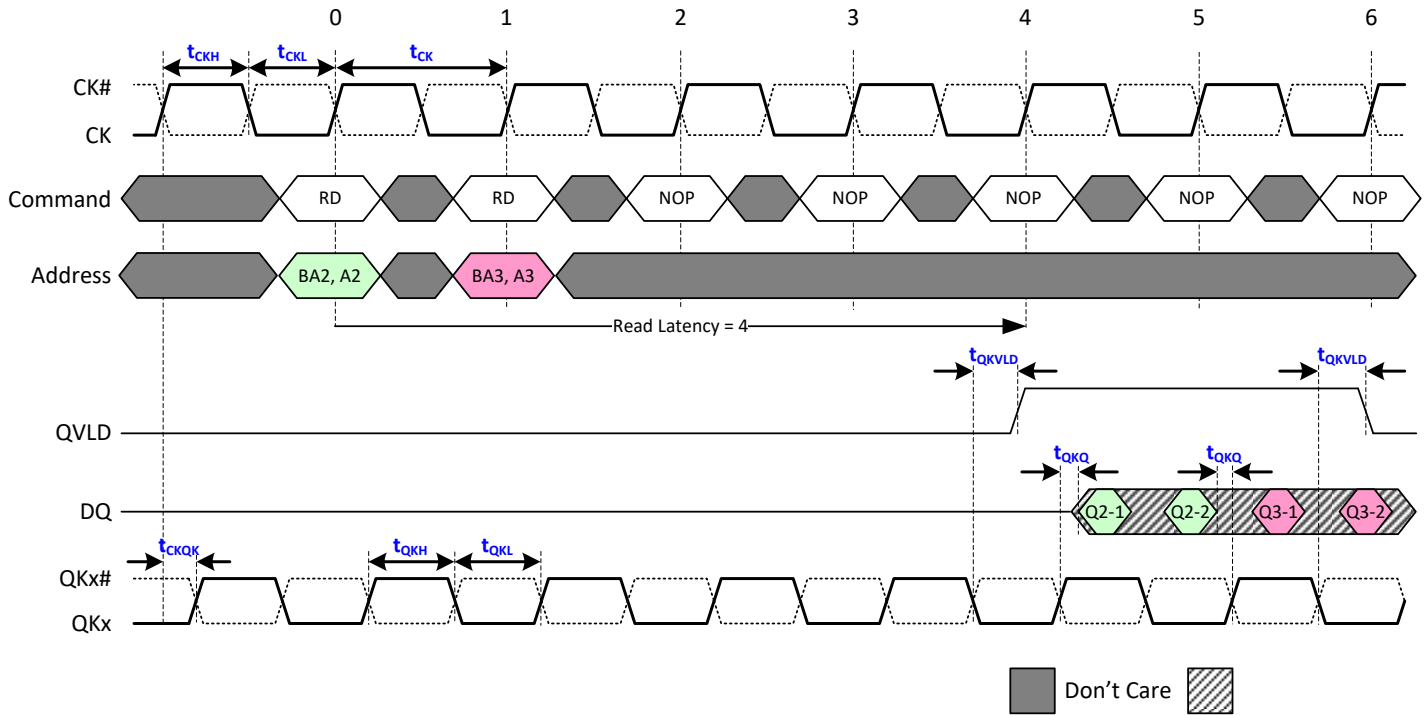
3.7 Read Operation (READ)

The Read command performs burst-oriented data read accesses in a bank of the memory device. The Read command is initiated by registering the WE# and REF# signals logic HIGH while the CS# is in logic LOW state. In non-multiplexed address mode, both an address and a bank address must be provided to the memory during the assertion of the Read command. In multiplexed mode, the bank address and the first part of the address, Ax, must be supplied together with the Read command. The second part of the address, Ay, must be latched to the memory on the subsequent rising edge of the CK clock. Data being accessed will be available in the data bus a certain amount of clock cycles later depending on the Read Latency Configuration setting.

Data driven in the DQ signals are edge-aligned to the free-running output data clocks QKx and QKx#. A half clock cycle before the read data is available on the data bus, the data valid signal, QVLD, will transition from logic LOW to HIGH. The QVLD signal is also edge-aligned to the data clock QKx and QKx#.

If no other commands have been registered to the device when the burst read operation is finished, the DQ signals will go to High-Z state. The QVLD signal transition from logic HIGH to logic LOW on the last bit of the READ burst. Please note that if CK/CK# violates the VID (DC) specification while a READ burst is occurring, QVLD will remain HIGH until a dummy READ command is registered. The QK clocks are free-running and will continue to cycle after the read burst is complete. Back-to-back READ commands are permitted which allows for a continuous flow of output data.





Basic READ Burst with QVLD: BL=2 & RL=4

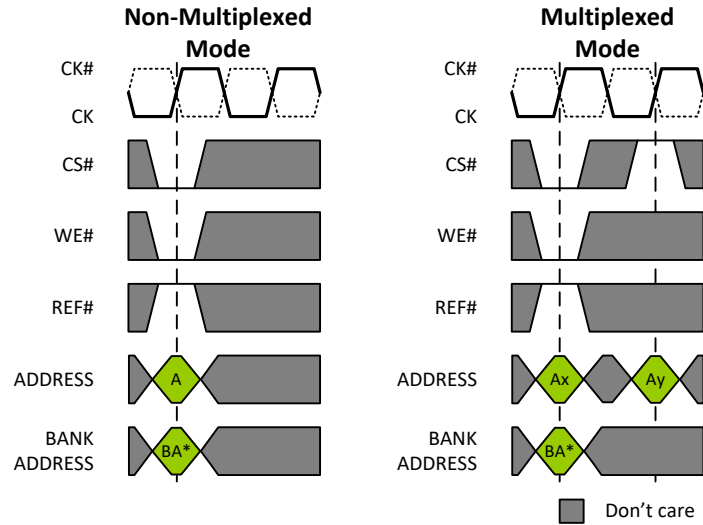
Notes:

1. Minimum READ data valid window can be expressed as $\text{MIN}(t_{QKH}, t_{QKL}) - 2 \times \text{MAX}(t_{QKQK})$.
2. t_{CKH} and t_{CKL} are recommended to have 50% / 50% duty.
3. t_{QKQ0} is referenced to DQ0–DQ17 in x36 and DQ0–DQ8 in x18. t_{QKQ1} is referenced to DQ18–DQ35 in x36 and DQ9–DQ17 in x18.
4. t_{QKA} takes into account the skew between any QKx and any DQ.
5. t_{CKQK} is specified as CK rising edge to QK rising edge.

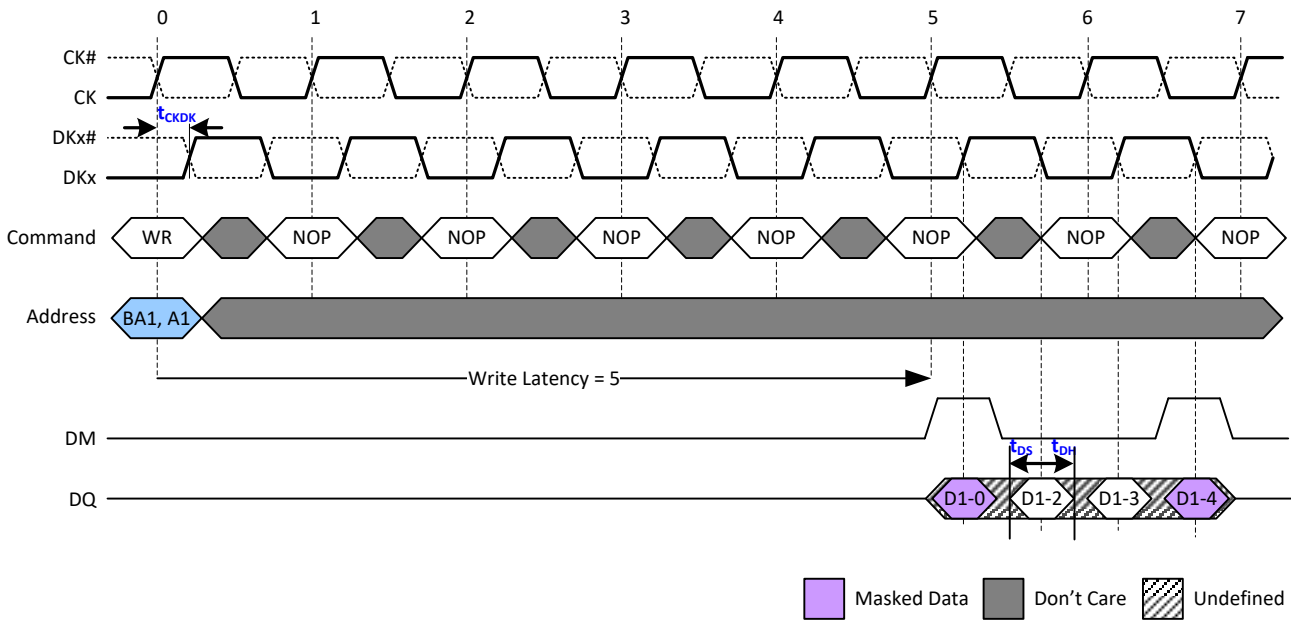
3.8 Write Operation (WRITE)

The Write command performs burst-oriented data write accesses in a bank of the memory device. The Write command is initiated by registering the REF# signal logic HIGH while the CS# and WE# signals are in logic LOW state. In non-multiplexed address mode, both an address and a bank address must be provided to the memory during the assertion of the Write command. In multiplexed mode, the bank address and the first part of the address, Ax, must be supplied together with the Write command. The second part of the address, Ay, must be latched to the memory on the subsequent rising edge of the CK clock. Input data to be written to the device can be registered several clock cycles later depending on the Write Latency Configuration setting. The write latency is always one cycle longer than the programmed read latency. The DM signal can mask the input data by setting this signal logic HIGH.

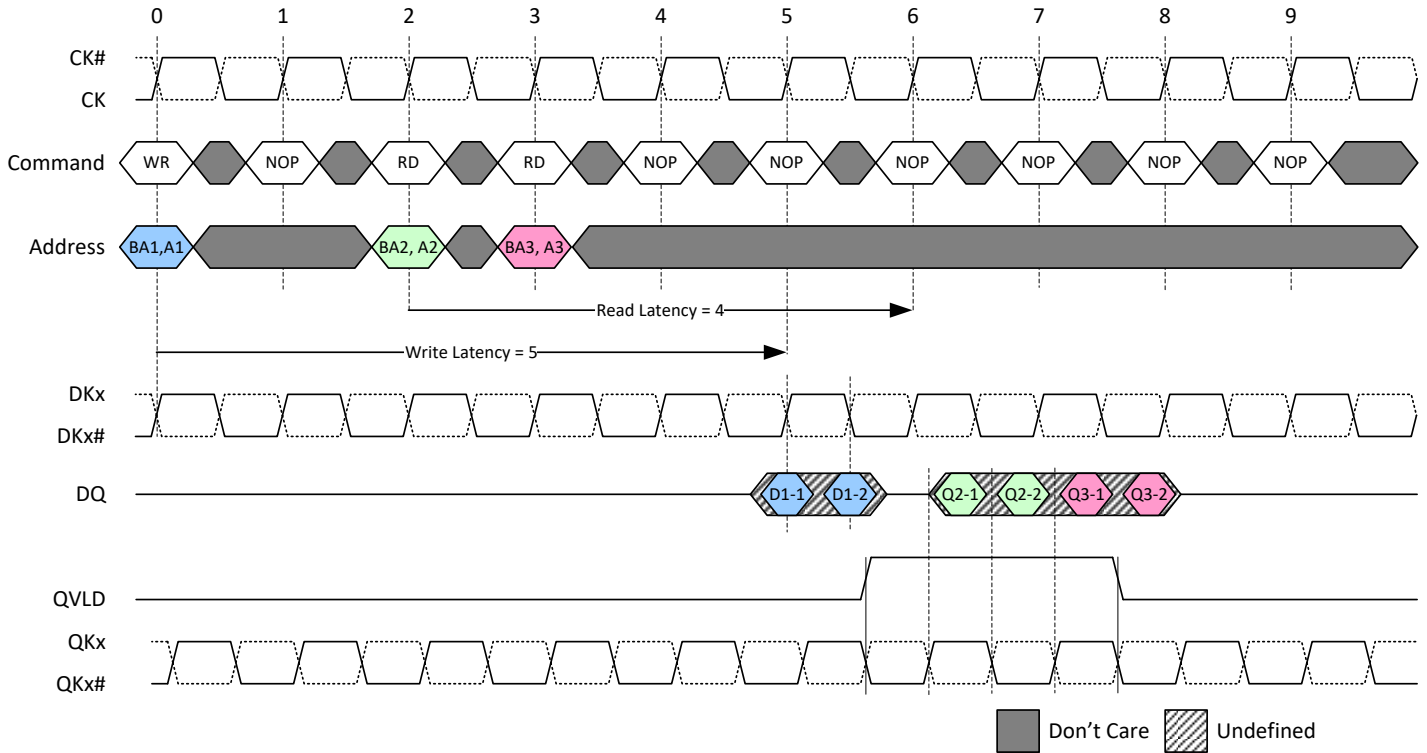
At least one NOP command in between a Read and Write commands is required in order to avoid data bus contention. The setup and hold times for DM and data signals are t_{DS} and t_{DH} , which are referenced to the DK clocks.



Write Command



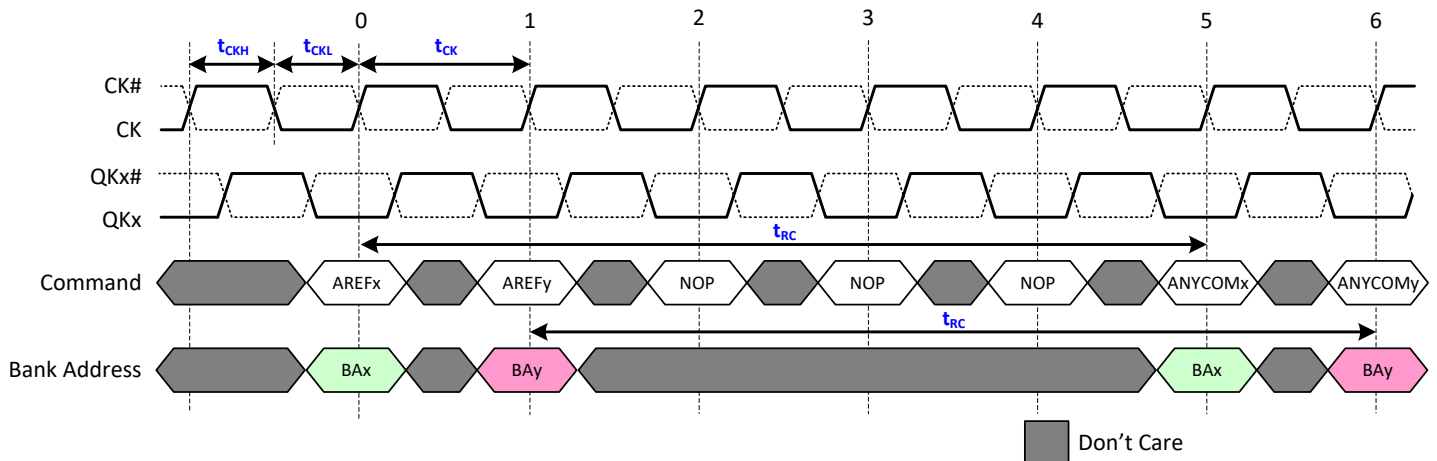
Basic WRITE Burst with DM Timing: BL=4 & WL=5



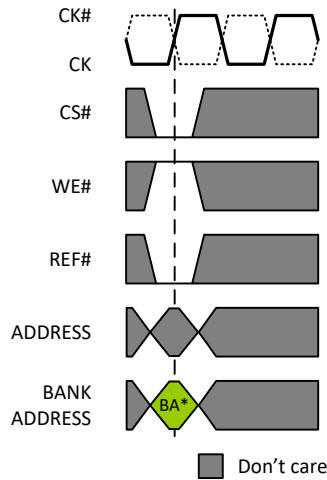
Write Followed by Read: BL=2 RL=4 & WL=5

3.9 Auto Refresh Command (AREF)

The Auto Refresh command performs a refresh cycle on one row of a specific bank of the memory. Only bank addresses are required together with the control the pins. Therefore, Auto Refresh commands can be issued on subsequent CK clock cycles on both multiplexed and non-multiplexed address mode. Any command following an Auto Refresh command must meet a t_{RC} timing delay or later.



AREF example in $t_{RC}(t_{CK})=5$ option: Configuration=5



Auto Refresh Command

3.10 Command Truth Table

| Operation | Code | CS# | WE# | REF# | Ax | BAX |
|------------------------------|----------|-----|-----|------|--------|-----|
| Device DESELECT/No Operation | DESL/NOP | H | X | X | X | X |
| Mode Register Set | MRS | L | L | L | OPCODE | X |
| Read | READ | L | H | H | A | BA |
| Write | WRITE | L | L | H | A | BA |
| Auto Refresh | AREF | L | H | L | X | BA |

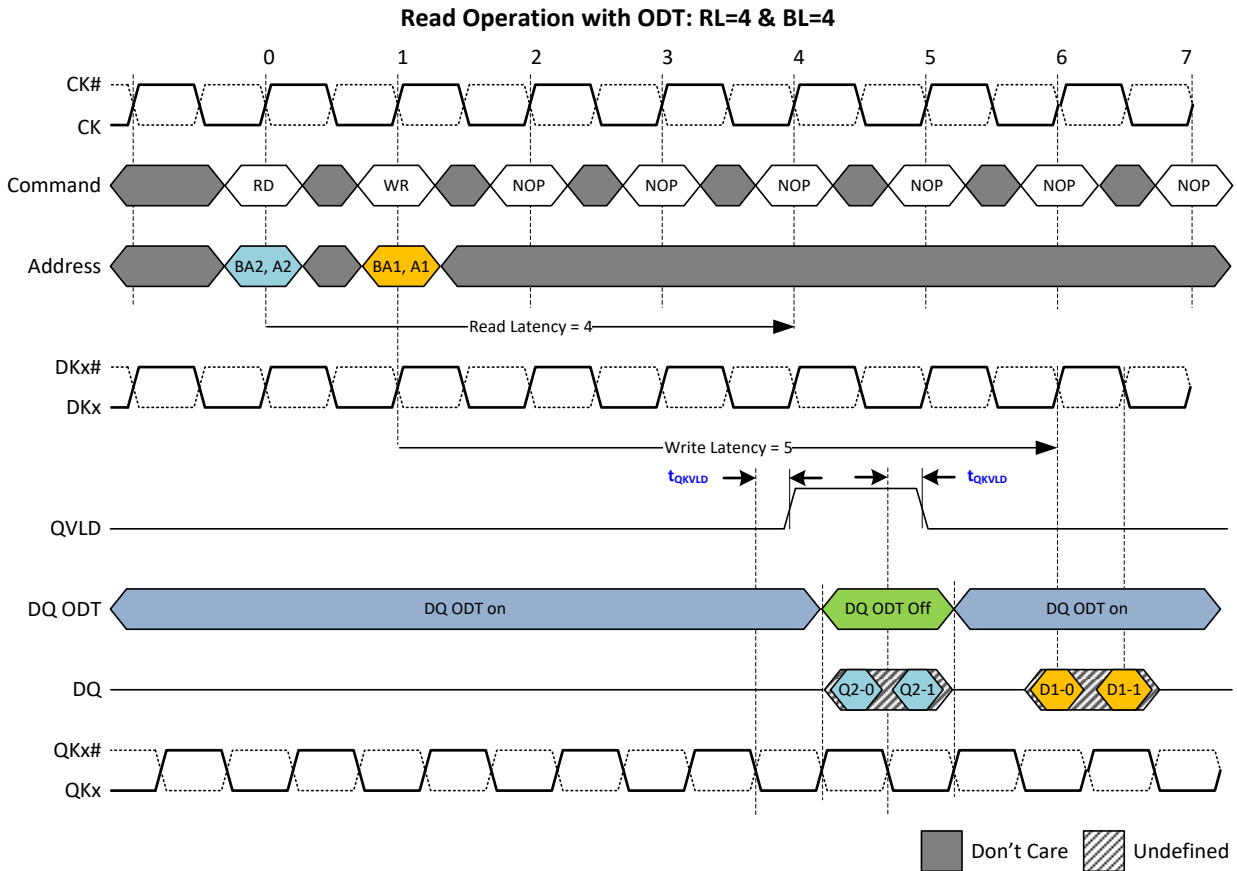
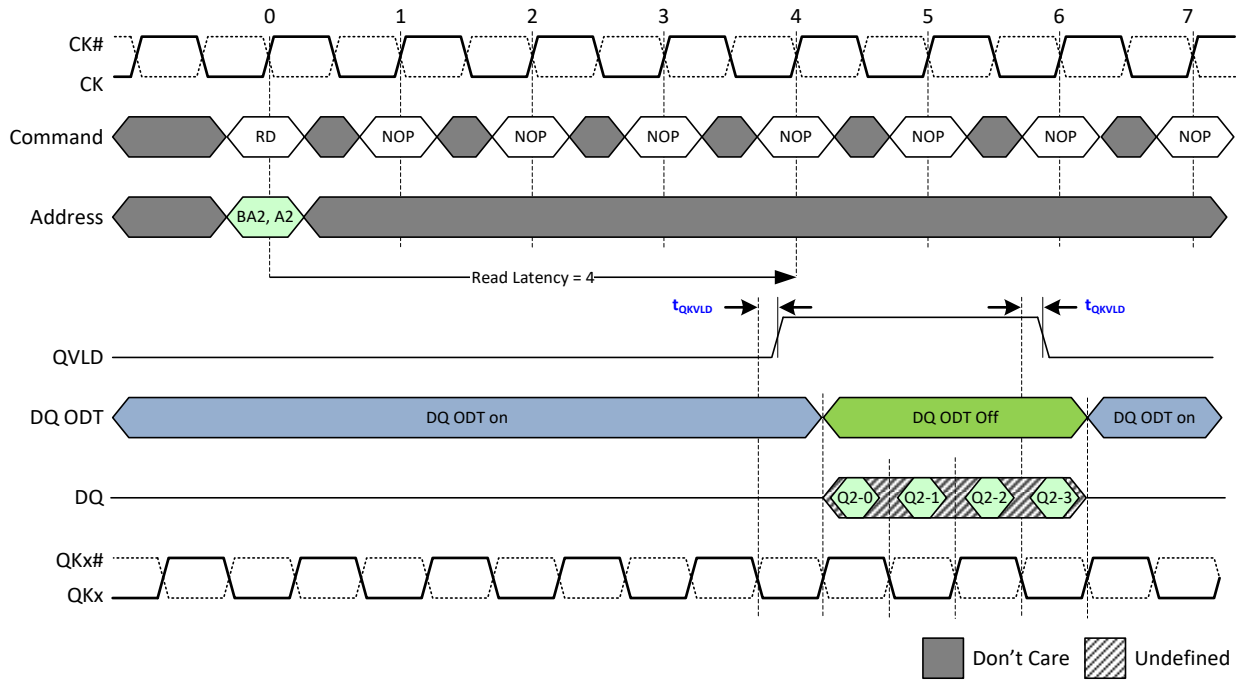
Notes:

1. X = "Don't Care," H = logic HIGH; L = logic LOW; A = Valid Address; BA = Valid Bank Address.
2. During MRS, only address inputs A0-A17 are used.
3. Address width changes with burst length.
4. All input states or sequences not shown are illegal or reserved.
5. All command and address inputs must meet setup and hold times around the rising edge of CK.

IS49NLC93200, IS49NLC18160, IS49NLC36800



3.11 On-Die Termination (ODT) Timing Examples.



4 IEEE 1149.1 TAP and Boundary Scan

RLDRAM[®] 2 Memory devices have a serial boundary-scan test access port (TAP) that allow the use of a limited set of JTAG instructions to test the interconnection between the memory I/Os and printed circuit board traces or other components. In conformance with IEEE Standard 1149.1, the memory contains a TAP controller, instruction register, boundary scan register, bypass register, and ID register. The TAP operates in accordance with IEEE Standard 1149.1-2001 (JTAG) with the exception of the ZQ pin. To guarantee proper boundary-scan testing of the ZQ pin, MRS bit M8 needs to be set to 0 until the JTAG testing of the pin is complete. Note that on power up, the default state of MRS bit M8 is logic LOW. The TAP is compliant with IEEE 1149.1-2013 as far as all mandatory features (BYPASS, EXTEST, PRELOAD, and SAMPLE), and several optional features (CLAMP, HIGHZ, IDCODE, ECIDCODE).

If the memory boundary scan register is to be used upon power up and prior to the initialization of the device, the CK and CK# pins meet $V_{ID}(DC)$ or CS# be held HIGH from power up until testing. Not doing so could result in inadvertent MRS commands to be loaded, and subsequently cause unexpected results from address pins that are dependent upon the state of the mode register. If these measures cannot be taken, the part must be initialized prior to boundary scan testing. If a full initialization is not practical or feasible prior to boundary scan testing, a single MRS command with desired settings may be issued instead. After the single MRS command is issued, the t_{MRS} parameter must be satisfied prior to boundary scan testing.

4.1 Disabling the JTAG feature

The RLDRAM[®] 2 Memory can operate without using the JTAG feature. To disable the TAP controller, TCK must be tied LOW (V_{SS}) to prevent clocking of the device. TDI and TMS are internally pulled up and may be left disconnected. They may alternately be connected to V_{DD} through a pull-up resistor. TDO should be left disconnected. On power-up, the device will come up in a reset state, which will not interfere with device operation.

4.2 Test Access Port Signal List:

Test Clock (TCK)

This signal uses V_{DD} as a power supply. The test clock is used only with the TAP controller. All inputs are captured on the rising edge of TCK. All outputs are driven from the falling edge of TCK.

Test Mode Select (TMS)

This signal uses V_{DD} as a power supply. The TMS input is used to send commands to the TAP controller and is sampled on the rising edge of TCK.

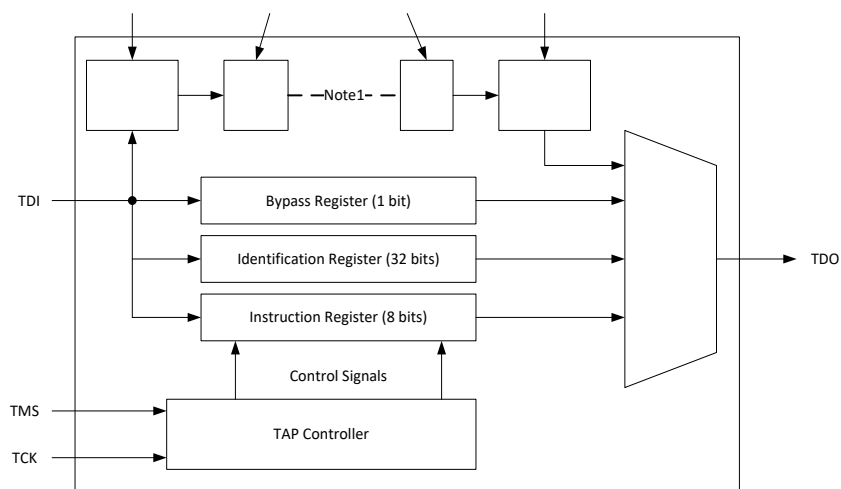
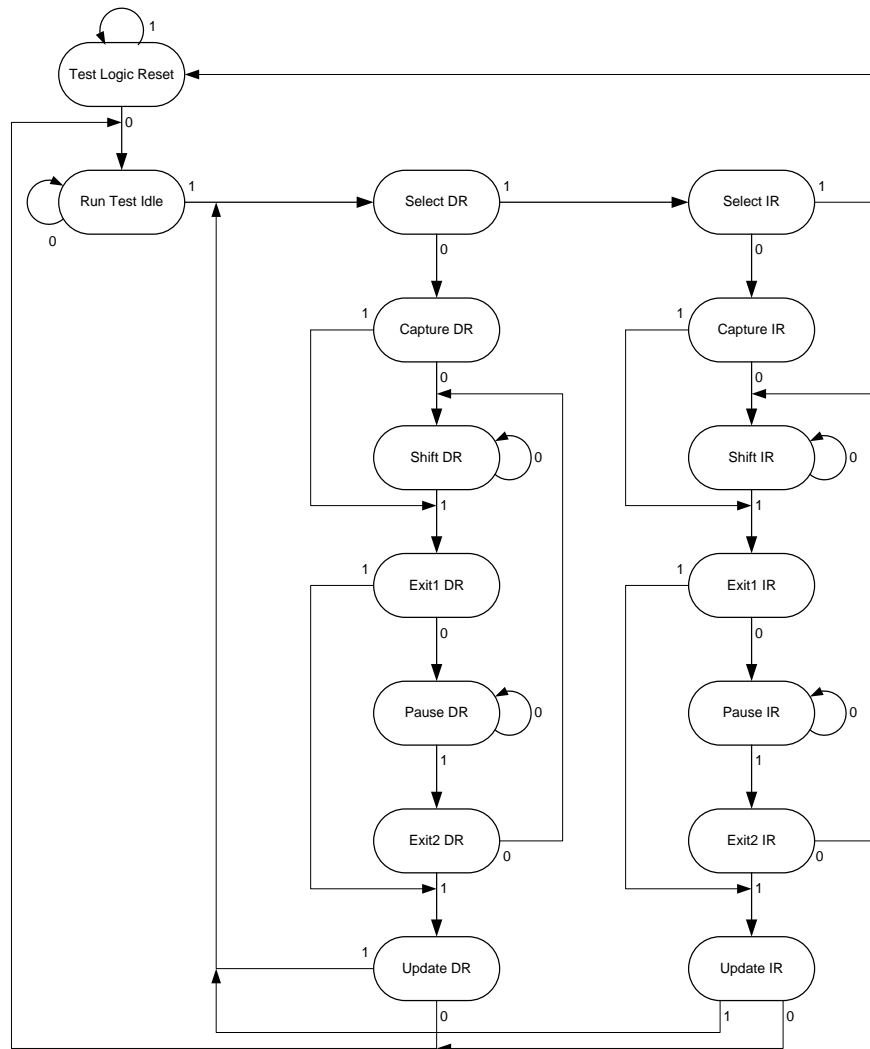
Test Data-In (TDI)

This signal uses V_{DD} as a power supply. The TDI input is used to serially input test instructions and information into the registers and can be connected to the input of any of the registers. The register between TDI and TDO is chosen by the instruction that is loaded into the TAP instruction register. TDI is connected to the most significant bit (MSB) of any register. For more information regarding instruction register loading, please see the TAP Controller State Diagram.

Test Data-Out (TDO)

This signal uses V_{DDQ} as a power supply. The TDO output ball is used to serially clock test instructions and data out from the registers. The TDO output driver is only active during the Shift-IR and Shift-DR TAP controller states. In all other states, the TDO pin is in a High-Z state. The output changes on the falling edge of TCK. TDO is connected to the least significant bit (LSB) of any register. For more information, please see the TAP Controller State Diagram.

4.3 TAP Controller State and Block Diagram



Note: 113 boundary scan registers in RLD RAM[®] 2 Memory

IS49NLC93200, IS49NLC18160, IS49NLC36800

4.4 Performing a TAP Reset

A Reset is performed by forcing TMS HIGH (V_{DD}) for five rising edges of TCK. RESET may be performed while the SRAM is operating and does not affect its operation. At power-up, the TAP is internally reset to ensure that TDO comes up in a high-Z state.

4.5 TAP Registers

Registers are connected between the TDI and TDO pins and allow data to be scanned into and out of the SRAM test circuitry. Only one register can be selected at a time through the instruction registers. Data is serially loaded into the TDI pin on the rising edge of TCK and output on the TDO pin on the falling edge of TCK.

Instruction Register

This register is loaded during the update-IR state of the TAP controller. At power-up, the instruction register is loaded with the IDCODE instruction. It is also loaded with the IDCODE instruction if the controller is placed in a reset state as described in the previous section. When the TAP controller is in the capture-IR state, the two LSBs are loaded with a binary “01” pattern to allow for fault isolation of the board-level serial test data path.

Bypass Register

The bypass register is a single-bit register that can be placed between the TDI and TDO balls. This allows data to be shifted through the memory device with minimal delay. The bypass register is set LOW (V_{SS}) when the BYPASS instruction is executed.

Boundary Scan Register

The boundary scan register is connected to all the input and bidirectional balls on the device. Several balls are also included in the scan register to reserved balls. The boundary scan register is loaded with the contents of the memory Input and Output ring when the TAP controller is in the capture-DR state and is then placed between the TDI and TDO balls when the controller is moved to the shift-DR state. Each bit corresponds to one of the balls on the device package. The MSB of the register is connected to TDI, and the LSB is connected to TDO.

Identification (ID) Register

The ID register is loaded with a vendor-specific, 32-bit code during the capture-DR state when the IDCODE command is loaded in the instruction register. The IDCODE is hardwired into the device and can be shifted out when the TAP controller is in the shift-DR state.

4.6 Scan Register Sizes

| Register Name | Bit Size |
|------------------------------|----------|
| Instruction Register | 8 |
| Bypass Register | 1 |
| Boundary Scan Register | 113 |
| Identification (ID) Register | 32 |

4.7 TAP Instruction Set

Many instructions are possible with an eight-bit instruction register and all valid combinations are listed in the *TAP Instruction Code* Table. All other instruction codes that are not listed on this table are reserved and should not be used. Instructions are loaded into the TAP controller during the Shift-IR state when the instruction register is placed between TDI and TDO. During this state, instructions are shifted from the instruction register through the TDI and TDO pins. To execute an instruction once it is shifted in, the TAP controller must be moved into the Update-IR state.

EXTEST

The EXTEST instruction allows circuitry external to the component package to be tested. Boundary-scan register cells at output balls are used to apply a test vector, while those at input balls capture test results. Typically, the first test vector to be applied using the EXTEST instruction will be shifted into the boundary scan register using the PRELOAD instruction. Thus, during the update-IR state of EXTEST, the output driver is turned on, and the PRELOAD data is driven onto the output balls.

IDCODE

The IDCODE instruction causes a vendor-specific, 32-bit code to be loaded into the identification register. It also places the identification register between the TDI and TDO balls and allows the IDCODE to be shifted out of the device when the TAP controller enters the shift-DR state. The IDCODE instruction is loaded into the instruction register upon power-up or whenever the TAP controller is given a test logic reset state.

High-Z

The High-Z instruction causes the bypass register to be connected between the TDI and TDO. This places all RLD RAM[®] 2 Memory outputs into a High-Z state.

CLAMP

When the CLAMP instruction is loaded into the instruction register, the data driven by the output balls are determined from the values held in the boundary scan register.

SAMPLE/PRELOAD

When the SAMPLE/PRELOAD instruction is loaded into the instruction register and the TAP controller is in the capture-DR state, a snapshot of data on the inputs and bidirectional balls is captured in the boundary scan register. The user must be aware that the TAP controller clock can only operate at a frequency up to 50 MHz, while the memory clock operates significantly faster. Because there is a large difference between the clock frequencies, it is possible that during the capture-DR state, an input or output will undergo a transition. The TAP may then try to capture a signal while in transition (metastable state). This will not harm the device, but there is no guarantee as to the value that will be captured. Repeatable results may not be possible. To ensure that the boundary scan register will capture the correct value of a signal, the memory signal must be stabilized long enough to meet the TAP controller's capture setup plus hold time (t_{CS} plus t_{CH}). The memory clock input might not be captured correctly if there is no way in a design to stop (or slow) the clock during a SAMPLE/ PRELOAD instruction. If this is an issue, it is still possible to capture all other signals and simply ignore the value of the CK and CK# captured in the boundary scan register. Once the data is captured, it is possible to shift out the data by putting the TAP into the shift-DR state. This places the boundary scan register between the TDI and TDO balls.

BYPASS

When the BYPASS instruction is loaded in the instruction register and the TAP is placed in a shift-DR state, the bypass register is placed between TDI and TDO. The advantage of the BYPASS instruction is that it shortens the boundary scan path when multiple devices are connected together on a board.

IS49NLC93200, IS49NLC18160, IS49NLC36800

4.8 TAP DC Electrical Characteristics and Operating Conditions

(+0°C ≤ T_C ≤ +95°C; +1.7V ≤ V_{DD} ≤ +1.9V, unless otherwise noted)

| Description | Conditions | Symbol | Min | Max | Units | Notes |
|------------------------------|--|------------------|-------------------------|-------------------------|-------|-------|
| Input high (logic 1) voltage | | V _{IH} | V _{REF} + 0.15 | V _{DDQ} + 0.3 | V | 1, 2 |
| Input low (logic 0) voltage | | V _{IL} | V _{SSQ} - 0.3 | V _{REF} - 0.15 | V | 1, 2 |
| Input leakage current | 0V ≤ V _{IN} ≤ V _{DD} | I _{LI} | - 5.0 | 5.0 | μA | |
| Output leakage current | Output Disabled, 0V ≤ V _{IN} ≤ V _{DDQ} | I _{LO} | - 5.0 | 5.0 | μA | |
| Output low voltage | I _{OLC} = 100 μA | V _{OL1} | - | 0.2 | V | 1 |
| Output low voltage | I _{OLT} = 2mA | V _{OL2} | - | 0.4 | V | 1 |
| Output high voltage | I _{OHC} = 100 μA | V _{OH1} | V _{DDQ} - 0.2 | - | V | 1 |
| Output high voltage | I _{OHT} = 2mA | V _{OH2} | V _{DDQ} - 0.4 | - | V | 1 |

Notes:

- All voltages referenced to V_{SS} (GND).
- Overshoot = V_{IH}(AC) ≤ V_{DD} + 0.7V for t ≤ t_{CK}/2; undershoot = V_{IL}(AC) ≥ -0.5V for t ≤ t_{CK}/2; during normal operation, V_{DDQ} must not exceed V_{DD}.

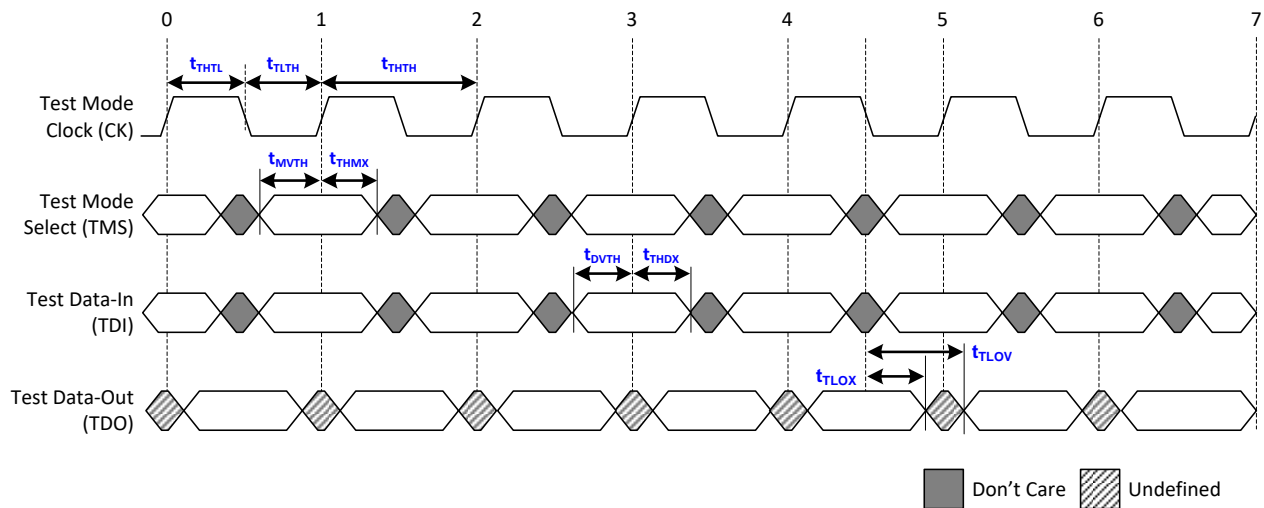
4.9 TAP AC Electrical Characteristics and Operating Conditions

(+0°C ≤ T_C ≤ +95°C; +1.7V ≤ V_{DD} ≤ +1.9V)

| Description | Symbol | Min | Max | Units |
|-------------------------|-------------------|-----|-----|-------|
| Clock | | | | |
| Clock Cycle Time | t _{THTH} | 20 | | ns |
| Clock Frequency | f _{TF} | | 50 | MHz |
| Clock HIGH Time | t _{THTL} | 10 | | ns |
| Clock LOW Time | t _{TLTH} | 10 | | ns |
| TDI/TDO times | | | | |
| TCK LOW to TDO unknown | t _{TLOX} | 0 | | ns |
| TCK LOW to TDO valid | t _{TLOV} | | 10 | ns |
| TDI valid to TCK High | t _{DVTH} | 5 | | ns |
| TCK HIGH to TDI invalid | t _{THDX} | 5 | | ns |
| Setup times | | | | |
| TMS Setup | t _{MVTH} | 5 | | ns |
| Capture Setup | t _{CS} | 5 | | ns |
| Hold Times | | | | |
| TMS hold | t _{TMHX} | 5 | | ns |
| Capture hold | t _{CH} | 5 | | ns |

Note: t_{CS} and t_{CH} refer to the setup and hold time requirements of latching data from the boundary scan register.

4.10 TAP Timing



4.11 TAP Instruction Codes

| Instruction | Code | Description |
|-----------------------|----------------------------|--|
| EXTEST | 0000 0000 | Captures Input and Output ring contents. Places the boundary scan register between TDI and TDO. This operation does not affect device operations |
| IDCODE | 0010 0001 | Loads the ID register with the vendor ID code and places the register between TDI and TDO; This operation does not affect device operations |
| SAMPLE/PRELOAD | 0000 0101 | Captures I/O ring contents; Places the boundary scan register between TDI and TDO |
| CLAMP | 0000 0111 | Selects the bypass register to be connected between TDI and TDO; Data driven by output balls are determined from values held in the boundary scan register |
| High-Z | 0000 0011 | Selects the bypass register to be connected between TDI and TDO; All outputs are forced into High-Z |
| BYPASS | 1111 1111 | Places the bypass register between TDI and TDO; This operation does not affect device operations |

Note: All other remaining instruction codes not mentioned in the above table are reserved and should not be used.

4.12 Identification (ID) Register Definition

| Instruction Field | All Devices | Description |
|------------------------------------|------------------|--|
| Revision number (31:28) | abcd | ab = die revision cd = 00 for x9, 01 for x18, 10 for x36 |
| Device ID (27:12) | 00jkidef10100111 | def = 000 for 288Mb, 001 for 576Mb i = 0 for common I/O, 1 for separate I/O jk = 01 for RLDRAM [®] 2 Memory |
| Vendor ID code (11:1) | 000 1101 0101 | Allows unique identification of vendor |
| ID register presence indicator (0) | 1 | Indicates the presence of an ID register |

4.13 TAP Input AC Logic Levels

(+0°C ≤ T_C ≤ +95°C; +1.7V ≤ V_{DD} ≤ +1.9V, unless otherwise noted)

| Description | Symbol | Min | Max | Units |
|------------------------------|-----------------|------------------------|------------------------|-------|
| Input high (logic 1) voltage | V _{IH} | V _{REF} + 0.3 | - | V |
| Input low (logic 0) voltage | V _{IL} | - | V _{REF} - 0.3 | V |

Note: All voltages referenced to V_{SS} (GND).

IS49NLC93200,IS49NLC18160,IS49NLC36800



4.14 Boundary Scan Order

| Bit# | Signal name | | | Bump ID | Bit# | Signal name | | | Bump ID | Bit# | Signal name | | | Bump ID |
|------|-------------|------|------|---------|------|-------------|-------|-------|---------|------|-------------|-------|-------|---------|
| | x9 | x18 | x36 | | | x9 | x18 | x36 | | | x9 | x18 | x36 | |
| 1 | DK | DK | DK1 | K1 | 39 | DNU | DNU | DQ30 | R11 | 77 | DNU | DNU | DQ2 | C11 |
| 2 | DK# | DK# | DK1# | K2 | 40 | DNU | DNU | DQ30 | R11 | 78 | DNU | DNU | DQ2 | C11 |
| 3 | CS# | CS# | CS# | L2 | 41 | DNU | DNU | DQ32 | P11 | 79 | DQ1 | DQ1 | DQ3 | C10 |
| 4 | REF# | REF# | REF# | L1 | 42 | DNU | DNU | DQ32 | P11 | 80 | DQ1 | DQ1 | DQ3 | C10 |
| 5 | WE# | WE# | WE# | M1 | 43 | DQ5 | DQ10 | DQ33 | P10 | 81 | DNU | DNU | DQ0 | B11 |
| 6 | A17 | A17 | A17 | M3 | 44 | DQ5 | DQ10 | DQ33 | P10 | 82 | DNU | DNU | DQ0 | B11 |
| 7 | A16 | A16 | A16 | M2 | 45 | DNU | DNU | DQ34 | N11 | 83 | DQ0 | DQ0 | DQ1 | B10 |
| 8 | A18 | A18 | A18 | N1 | 46 | DNU | DNU | DQ34 | N11 | 84 | DQ0 | DQ0 | DQ1 | B10 |
| 9 | A15 | A15 | A15 | P1 | 47 | DQ4 | DQ9 | DQ35 | N10 | 85 | DNU | DQ4 | DQ9 | B3 |
| 10 | DNU | DQ14 | DQ25 | N3 | 48 | DQ4 | DQ9 | DQ35 | N10 | 86 | DNU | DQ4 | DQ9 | B3 |
| 11 | DNU | DQ14 | DQ25 | N3 | 49 | DM | DM | DM | P12 | 87 | DNU | DNU | DQ8 | B2 |
| 12 | DNU | DNU | DQ24 | N2 | 50 | A19 | A19 | (A19) | N12 | 88 | DNU | DNU | DQ8 | B2 |
| 13 | DNU | DNU | DQ24 | N2 | 51 | A11 | A11 | A11 | M11 | 89 | DNU | DQ5 | DQ11 | C3 |
| 14 | DNU | DQ15 | DQ23 | P3 | 52 | A12 | A12 | A12 | M10 | 90 | DNU | DQ5 | DQ11 | C3 |
| 15 | DNU | DQ15 | DQ23 | P3 | 53 | A10 | A10 | A10 | M12 | 91 | DNU | DNU | DQ10 | C2 |
| 16 | DNU | DNU | DQ22 | P2 | 54 | A13 | A13 | A13 | L12 | 92 | DNU | DNU | DQ10 | C2 |
| 17 | DNU | DNU | DQ22 | P2 | 55 | A14 | A14 | A14 | L11 | 93 | DNU | DQ6 | DQ13 | D3 |
| 18 | DNU | QK1 | QK1 | R2 | 56 | BA1 | BA1 | BA1 | K11 | 94 | DNU | DQ6 | DQ13 | D3 |
| 19 | DNU | QK1# | QK1# | R3 | 57 | CK# | CK# | CK# | K12 | 95 | DNU | DNU | DQ12 | D2 |
| 20 | DNU | DNU | DQ20 | T2 | 58 | CK | CK | CK | J12 | 96 | DNU | DNU | DQ12 | D2 |
| 21 | DNU | DNU | DQ20 | T2 | 59 | BA0 | BA0 | BA0 | J11 | 97 | DNU | DNU | DQ14 | E2 |
| 22 | DNU | DQ16 | DQ21 | T3 | 60 | A4 | A4 | A4 | H11 | 98 | DNU | DNU | DQ14 | E2 |
| 23 | DNU | DQ16 | DQ21 | T3 | 61 | A3 | A3 | A3 | H12 | 99 | DNU | DQ7 | DQ15 | E3 |
| 24 | DNU | DNU | DQ18 | U2 | 62 | A0 | A0 | A0 | G12 | 100 | DNU | DQ7 | DQ15 | E3 |
| 25 | DNU | DNU | DQ18 | U2 | 63 | A2 | A2 | A2 | G10 | 101 | DNU | DNU | DQ16 | F2 |
| 26 | DNU | DQ17 | DQ19 | U3 | 64 | A1 | A1 | A1 | G11 | 102 | DNU | DNU | DQ16 | F2 |
| 27 | DNU | DQ17 | DQ19 | U3 | 65 | A20 | (A20) | (A20) | E12 | 103 | DNU | DQ8 | DQ17 | F3 |
| 28 | ZQ | ZQ | ZQ | V2 | 66 | QVLD | QVLD | QVLD | F12 | 104 | DNU | DQ8 | DQ17 | F3 |
| 29 | DQ8 | DQ13 | DQ27 | U10 | 67 | DQ3 | DQ3 | DQ7 | F10 | 105 | (A21) | (A21) | (A21) | E1 |
| 30 | DQ8 | DQ13 | DQ27 | U10 | 68 | DQ3 | DQ3 | DQ7 | F10 | 106 | A5 | A5 | A5 | F1 |
| 31 | DNU | DNU | DQ26 | U11 | 69 | DNU | DNU | DQ6 | F11 | 107 | A6 | A6 | A6 | G2 |
| 32 | DNU | DNU | DQ26 | U11 | 70 | DNU | DNU | DQ6 | F11 | 108 | A7 | A7 | A7 | G3 |
| 33 | DQ7 | DQ12 | DQ29 | T10 | 71 | DQ2 | DQ2 | DQ5 | E10 | 109 | A8 | A8 | A8 | G1 |
| 34 | DQ7 | DQ12 | DQ29 | T10 | 72 | DQ2 | DQ2 | DQ5 | E10 | 110 | BA2 | BA2 | BA2 | H1 |
| 35 | DNU | DNU | DQ28 | T11 | 73 | DNU | DNU | DQ4 | E11 | 111 | A9 | A9 | A9 | H2 |
| 36 | DNU | DNU | DQ28 | T11 | 74 | DNU | DNU | DQ4 | E11 | 112 | NF | NF | DK0# | J2 |
| 37 | DQ6 | DQ11 | DQ31 | R10 | 75 | QK0 | QK0 | QK0 | D11 | 113 | NF | NF | DK0 | J1 |
| 38 | DQ6 | DQ11 | DQ31 | R10 | 76 | QK0# | QK0# | QK0# | D10 | | | | | |



IS49NLC93200,IS49NLC18160,IS49NLC36800

ORDERING INFORMATION

Commercial Range: $T_c = 0^\circ$ to $+95^\circ\text{C}$; $T_A = 0^\circ\text{C}$ to $+70^\circ\text{C}$

| Frequency | Speed | Order Part No. | Organization | Package |
|-----------|------------------|---------------------|--------------|---------------------|
| 400 MHz | 2.5ns (tRC=15ns) | IS49NLC93200-25EWBL | 32M x 9 | 144 WBGA, Lead-free |
| | | IS49NLC18160-25EWBL | 16M x 18 | 144 WBGA, Lead-free |
| | | IS49NLC36800-25EWBL | 8M x 36 | 144 WBGA, Lead-free |
| 400 MHz | 2.5ns (tRC=20ns) | IS49NLC93200-25WBL | 32M x 9 | 144 WBGA, Lead-free |
| | | IS49NLC18160-25WBL | 16M x 18 | 144 WBGA, Lead-free |
| | | IS49NLC36800-25WBL | 8M x 36 | 144 WBGA, Lead-free |
| 300 MHz | 3.3ns (tRC=20ns) | IS49NLC93200-33WBL | 32M x 9 | 144 WBGA, Lead-free |
| | | IS49NLC18160-33WBL | 16M x 18 | 144 WBGA, Lead-free |
| | | IS49NLC36800-33WBL | 8M x 36 | 144 WBGA, Lead-free |
| 200 MHz | 5ns (tRC=20ns) | IS49NLC93200-5WBL | 32M x 9 | 144 WBGA, Lead-free |
| | | IS49NLC18160-5WBL | 16M x 18 | 144 WBGA, Lead-free |
| | | IS49NLC36800-5BL | 8M x 36 | 144 FBGA, Lead-free |
| | | IS49NLC36800-5WBL | 8M x 36 | 144 WBGA, Lead-free |

Note: Please contact ISSI for availability of -5 speed grade (200MHz) option. The -33 speed grade (300MHz) option is backward compatible with all timing specification for slower grades.

IS49NLC93200,IS49NLC18160,IS49NLC36800



ORDERING INFORMATION

Industrial Range: T_C = - 40°C to 95°C; T_A = - 40°C to +85°C

| Frequency | Speed | Order Part No. | Organization | Package |
|-----------|------------------|----------------------|--------------|---------------------|
| 400 MHz | 2.5ns (tRC=15ns) | IS49NLC93200-25EWBLI | 32M x 9 | 144 WBGA, Lead-free |
| | | IS49NLC18160-25EWBLI | 16M x 18 | 144 WBGA, Lead-free |
| | | IS49NLC36800-25EWBLI | 8M x 36 | 144 WBGA, Lead-free |
| 400 MHz | 2.5ns (tRC=20ns) | IS49NLC93200-25WBLI | 32M x 9 | 144 WBGA, Lead-free |
| | | IS49NLC18160-25WBLI | 16M x 18 | 144 WBGA, Lead-free |
| | | IS49NLC36800-25WBLI | 8M x 36 | 144 WBGA, Lead-free |
| 300 MHz | 3.3ns (tRC=20ns) | IS49NLC93200-33WBLI | 32M x 9 | 144 WBGA, Lead-free |
| | | IS49NLC18160-33WBLI | 16M x 18 | 144 WBGA, Lead-free |
| | | IS49NLC36800-33WBLI | 8M x 36 | 144 WBGA, Lead-free |
| 200 MHz | 5ns (tRC=20ns) | IS49NLC93200-5WBLI | 32M x 9 | 144 WBGA, Lead-free |
| | | IS49NLC18160-5WBLI | 16M x 18 | 144 WBGA, Lead-free |
| | | IS49NLC36800-5WBLI | 8M x 36 | 144 WBGA, Lead-free |

Note: Please contact ISSI for availability of -5 speed grade (200MHz) option. The -33 speed grade (300MHz) option is backward compatible with all timing specification for slower grades.