

### Features

- True sine wave output (THD<3%)
- High surge power up to 1000W
- High efficiency up to 88%
- High frequency design
- Thermostatically controlled cooling fan
- Protections: Bat. low alarm / Bat. low shutdown / Over voltage / Over temp. / Output short / Input polarity reverse / Overload
- Built-in 500W MPPT solar charger, MPPT efficiency:98%(Typ.)
- Built-in remote ON-OFF control
- Built-in battery low relay contact
- LED indicator for operation status and battery capacity
- 3 years warranty

### Applications

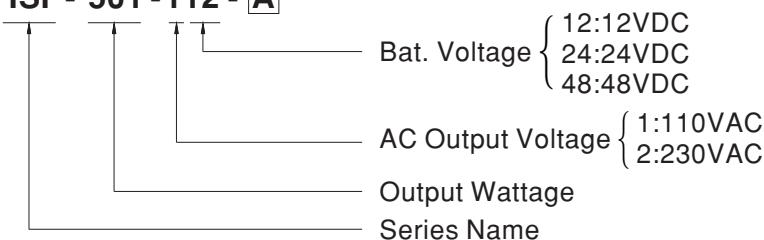
- Home appliance
- Power tools
- Portable equipment
- Yacht
- Vehicle

### Description

ISI-501 series integrates a DC/AC True Sine Wave Inverter and a MPPT charger. This series is a high performance true sine wave DC/AC inverter which converts the DC electricity from a system consisting of batteries and solar panels. ISI-501 is not only a high frequency designed inverter but also fully digitally controlled by an advanced microprocessor. With true sine wave output, ISI-501 series can provide 500W continuously, 550W for 60 seconds, and 1000W for 30 AC-cycles. This series incorporates a MPPT solar charger, including the constant current and constant voltage charging characteristics.

### Model Encoding

ISI - 501 - 112 - A



- AC Output Receptacle
- A :TYPE A OUTLET
  - B :TYPE B OUTLET
  - C :TYPE C OUTLET
  - D :TYPE D OUTLET
  - F :TYPE F OUTLET
  - U :TYPE U OUTLET

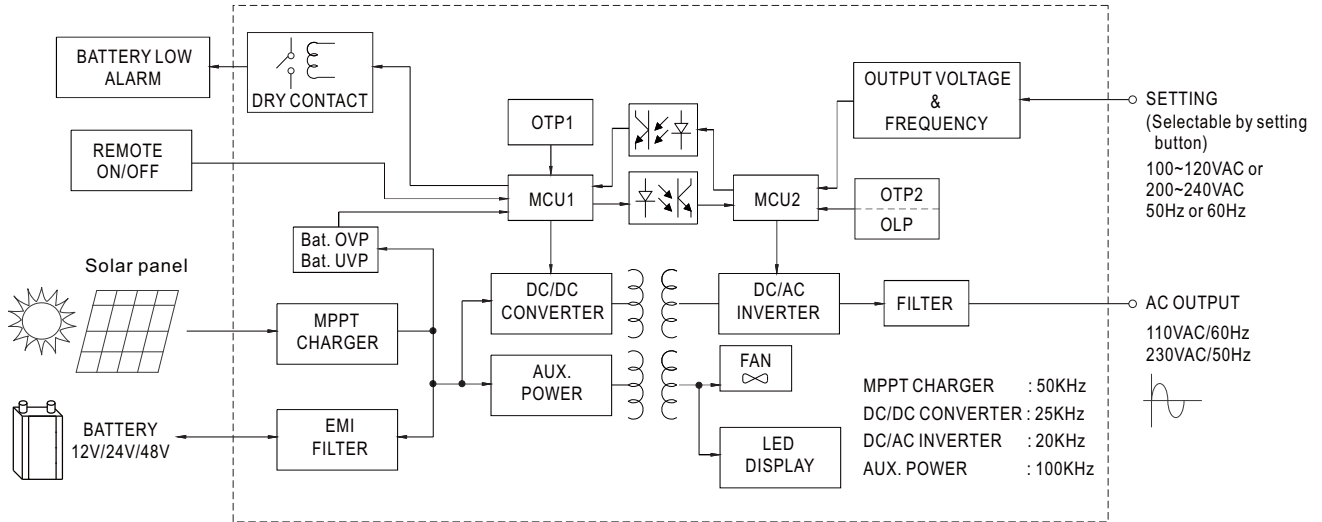
■ AC Output Receptacles(Optional)

Receptacle type						
	TYPE-A	TYPE-B	TYPE-C	TYPE-D	TYPE-F	TYPE-U
	Standard	Standard	Optional	Optional	Optional	Optional
Country	USA	EUROPE	AUSTRALIA	U.K	GFCI (60Hz)	UNIVERSAL
Certificate	<b>FC</b>	<b>CE</b>	<b>CE</b>	<b>CE</b>	<b>FC</b>	None

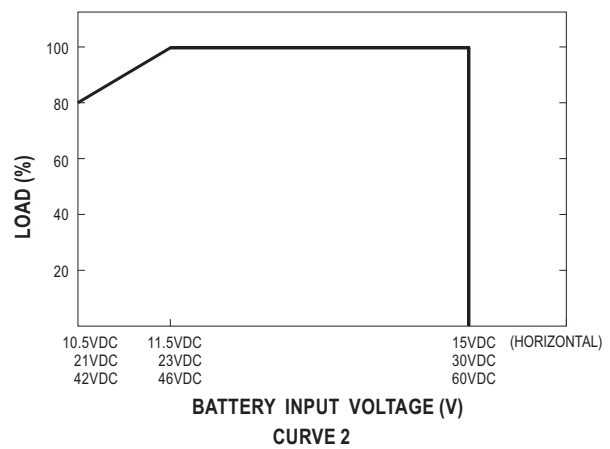
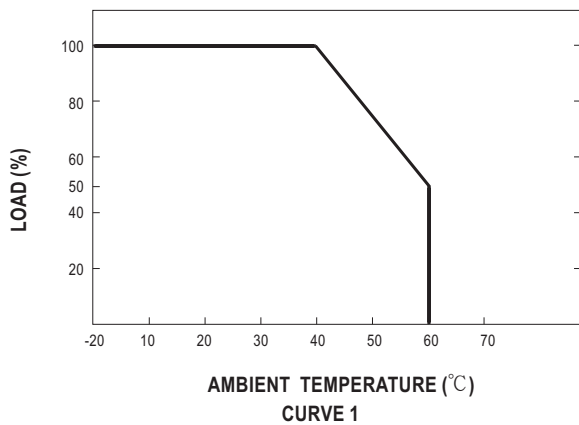
**SPECIFICATION**

MODEL		ISI-501-112□	ISI-501-124□	ISI-501-148□	ISI-501-212□	ISI-501-224□	ISI-501-248□	
INVERTER SECTION	OUTPUT	<b>RATED POWER</b>	450W	500W		450W	500W	
		<b>MAXIMUM OUTPUT POWER (Typ.)</b>	550W for 60 sec. / surge power 1000W for 30 cycles (112, 212 models : 495W for 60 sec. / surge power 900W for 30 cycles)					
		<b>AC VOLTAGE</b>	Factory setting set at 110VAC 100 / 110 / 115 / 120VAC selectable by setting button S.W			Factory setting set at 230VAC 200 / 220 / 230 / 240VAC selectable by setting button S.W		
		<b>FREQUENCY</b> <small>Note.9</small>	Factory setting set at 110VAC 60 ± 0.1Hz 50/60Hz selectable by setting button S.W			Factory setting set at 230VAC 50 ± 0.1Hz 50/60Hz selectable by setting button S.W		
		<b>WAVEFORM</b> <small>Note.1</small>	True sine wave (THD<3%)					
		<b>AC REGULATION (Typ.)</b>	±3%					
		<b>FRONT PANEL INDICATOR</b>	Fault and operation status, Charger status, Battery capacity					
	INPUT	<b>BAT. VOLTAGE</b>	12V	24V	48V	12V	24V	48V
		<b>VOLTAGE RANGE</b> <small>Note.3,5</small>	10.5 ~ 15VDC	21 ~ 30VDC	42 ~ 60VDC	10.5 ~ 15VDC	21 ~ 30VDC	42 ~ 60VDC
		<b>DC CURRENT (Typ.)</b> <small>Note.7</small>	50A	30A	15A	50A	30A	15A
		<b>NO LOAD CURRENT DRAW (Typ.)</b>	1.25A	0.63A	0.32A	1.25A	0.63A	0.32A
		<b>OFF MODE CURRENT DRAW (Typ.)</b>	≤ 1mA					
	OUTPUT PROTECTION	<b>EFFICIENCY (Typ.)</b> <small>Note.2</small>	85%	87%	87%	86%	88%	88%
		<b>OVER TEMPERATURE</b>	Shut down o/p voltage, re-power on to recover					
		<b>OUTPUT SHORT</b>	Shut down o/p voltage, re-power on to recover					
BATTERY SECTION	<b>OVER LOAD (Typ.)</b>	110% load for 60 sec. Protection type : Shut down o/p voltage, re-power on to recover						
	<b>CHARGER CURRENT (Typ.)</b>	30A	17A	8.5A	30A	17A	8.5A	
	<b>BATTERY TYPE</b>	Open & sealed Lead Acid						
	<b>FUSE</b>	40A*2	40A*1	20A*1	40A*2	40A*1	20A*2	
	<b>BAT. LOW ALARM</b> <small>Note.3</small>	11.3V	22.5V	45V	11.3V	22.5V	45V	
	<b>BAT. LOW SHUTDOWN</b> <small>Note.3</small>	10.5V	21V	42V	10.5V	21V	42V	
	<b>REVERSE POLARITY</b>	By internal fuse open						
MPPT / SOLAR SECTION	<b>MPPT CHARGER EFFICIENCY (Typ.)</b>	98%						
	<b>OPEN CIRCUIT VOLTAGE RANGE</b>	35 ~ 50V	45 ~ 90V	90 ~ 160V	35 ~ 50V	45 ~ 90V	90 ~ 160V	
	<b>MPPT RANGE</b>	25 ~ 50V	35 ~ 90V	70 ~ 160V	25 ~ 50V	35 ~ 90V	70 ~ 160V	
	<b>SOLAR INPUT CURRENT (Typ.)</b>	11A	7A	4.5A	11A	7A	4.5A	
	<b>SOLAR INPUT POWER (Typ.)</b>	500W						
GENERAL SECTION	ENVIRONMENT	<b>WORKING TEMP.</b> <small>Note.4</small>	-20 ~ +40°C @ 100% load ; 60°C @ 50% load					
		<b>WORKING HUMIDITY</b>	20% ~ 90% RH non-condensing					
		<b>STORAGE TEMP., HUMIDITY</b>	-30 ~ +70°C / -22 ~ +158°F, 10 ~ 95% RH non-condensing					
		<b>VIBRATION</b>	10 ~ 500Hz, 3G 10min./1cycle, 60min. each along X, Y, Z axes					
	SAFETY & EMC	<b>SAFETY STANDARDS</b>	IEC62368-1 CB, EAC TP TC 004 approved; Meet BS EN/EN62368-1					
		<b>WITHSTAND VOLTAGE</b>	Bat I/P - AC O/P:3.0KVAC AC O/P - FG:1.5KVAC					
		<b>ISOLATION RESISTANCE</b>	Bat I/P - AC O/P, Bat I/P - FG, AC O/P - FG: 100M ohms / 500VDC / 25°C / 70% RH					
		<b>EMC EMISSION</b>	Compliance to FCC part 15 class B, EAC TP TC 020			Compliance to BS EN/EN55032 class B, EAC TP TC 020		
		<b>EMC IMMUNITY</b>	Compliance to EAC TP TC 020			Compliance to BS EN/EN61000-4-2,3,8, EAC TP TC 020		
	OTHERS	<b>MTBF</b>	57.8K hrs min. MIL-HDBK-217F (25°C)					
<b>DIMENSION</b>		205*158*67mm (L*W*H)						
<b>PACKING</b>		2.35Kg; 6pcs/15.1Kg/1.55CUFT						
NOTE	<p>1. THD is tested by rated power, linear load at 13V,26V,52V input voltage.                  2. Efficiency is tested by 350W, linear load at 13V,26V,52V input voltage.                  3. The tolerance of each voltage value by models is : 112/212 → ±0.5V ; 124/224 → ±1V ; 148/248 → ±2V.                  4. Output derating capacity referenced by curve 1.                  5. Input derating capacity referenced by curve 2.                  6. All parameters not specified above are measured at rated load, 25°C of ambient temperature and set to factory setting.                  7. DC current is tested by 500W, linear load at 12V,24V,48V input voltage.                  8. The ambient temperature derating of 3.5°C/1000m with fanless models and of 5°C/1000m with fan models for operating altitude higher than 2000m(6500ft).                  9. Type F for 60Hz only.</p>							

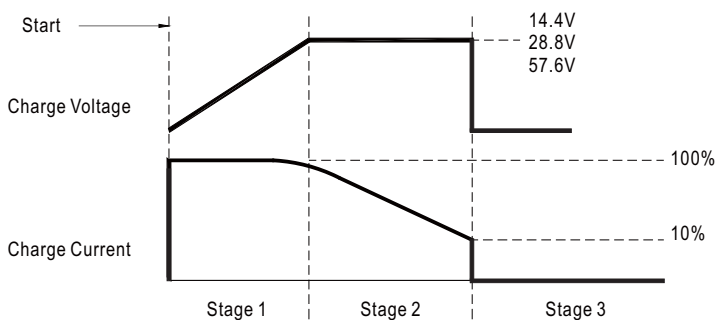
### Block Diagram



### Derating Curve



### Charging Curve



- Stage 1 : Constant Current
- Stage 2 : Constant Voltage
- Stage 3 : MPPT Charger OFF

\*Constant current condition : Dependent on solar input current and MPPT voltage of solar panel.

\*MPPT charger OFF condition: Charge current less than 10% rated charge current and solar input power under 50W.