

ISL54063, ISL54064

Negative Signal Swing, Sub-ohm, Dual SPST with Click and Pop Elimination
Single Supply Switch

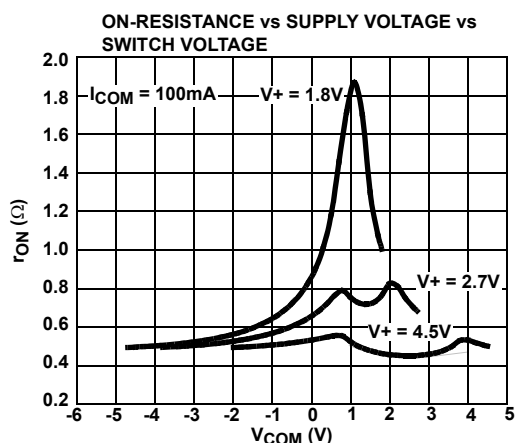
FN6582
Rev 1.00
Nov 3, 2009

The Intersil ISL54063 and ISL54064 devices are a low ON-resistance, low voltage, bi-directional, dual single-pole/single-throw (SPST) analog switch. It is designed to operate from a single +1.8V to +6.5V supply and pass signals that swing down to 6.5V below the positive supply rail. Targeted applications include battery powered equipment that benefit from low r_{ON} (0.56Ω), low power consumption (20nA) and fast switching speeds ($t_{ON} = 55ns$, $t_{OFF} = 18ns$). The digital inputs are 1.8V logic-compatible up to a +3V supply. The ISL54063 and ISL54064 also features integrated circuitry to eliminate click and pop noise to an audio speaker. The ISL54063, ISL54064 are offered in a small form factor package, alleviating board space limitations. It is available in a tiny 10 Ld 1.8 x 1.4mm μ TQFN or 10 Ld 3mmx3mm TDFN package.

The ISL54063 is a committed dual single-pole/single-throw (SPST) that consist of two normally open (NO) switches with independent logic control. The ISL54064 is a committed dual single-pole/single-throw (SPST) that consist of two normally closed (NC) switches with independent logic control.

TABLE 1. FEATURES AT A GLANCE

| | ISL54063 | ISL54064 |
|-----------------------|------------------------------|------------|
| Number of Switches | 2 | 2 |
| SW | SPST NO | SPST NC |
| 4.3V r_{ON} | 0.65Ω | 0.65Ω |
| 4.3V t_{ON}/t_{OFF} | 43ns/23ns | 43ns/23ns |
| 2.7V r_{ON} | 0.9Ω | 0.9Ω |
| 2.7V t_{ON}/t_{OFF} | 55ns/18ns | 55ns/18ns |
| 1.8V r_{ON} | 1.8Ω | 1.8Ω |
| 1.8V t_{ON}/t_{OFF} | 145ns/28ns | 145ns/28ns |
| Packages | 10 Ld μ TQFN, 10 Ld TDFN | |



Features

- Pb-free (RoHS Compliant)
- Negative Signal Swing (Max 6.5V below V+)
- Audio Click and Pop Elimination Circuitry
- ON-Resistance (r_{ON})
 - V+ = +4.5V 0.55Ω
 - V+ = +4.3V 0.57Ω
 - V+ = +2.7V 0.82Ω
 - V+ = +1.8V 1.8Ω
- r_{ON} Matching Between Channels 10mΩ
- r_{ON} Flatness Across Signal Range 0.35Ω
- Low THD+N @ 32Ω Load 0.02%
- Single Supply Operation. +1.8V to +6.5V
- Low Power Consumption @ 3V (P_D) 24nW
- Fast Switching Action (V+ = +4.3V)
 - t_{ON} 43ns
 - t_{OFF} 23ns
- ESD HBM Rating >6kV
- Guaranteed Break-before-Make
- 1.8V Logic Compatible (+3V supply)
- Low I+ Current when V_{INH} is not at the V+ Rail
- Available in 10 Ld μ TQFN 1.8x1.4mm and 10 Ld 3x3mm TDFN

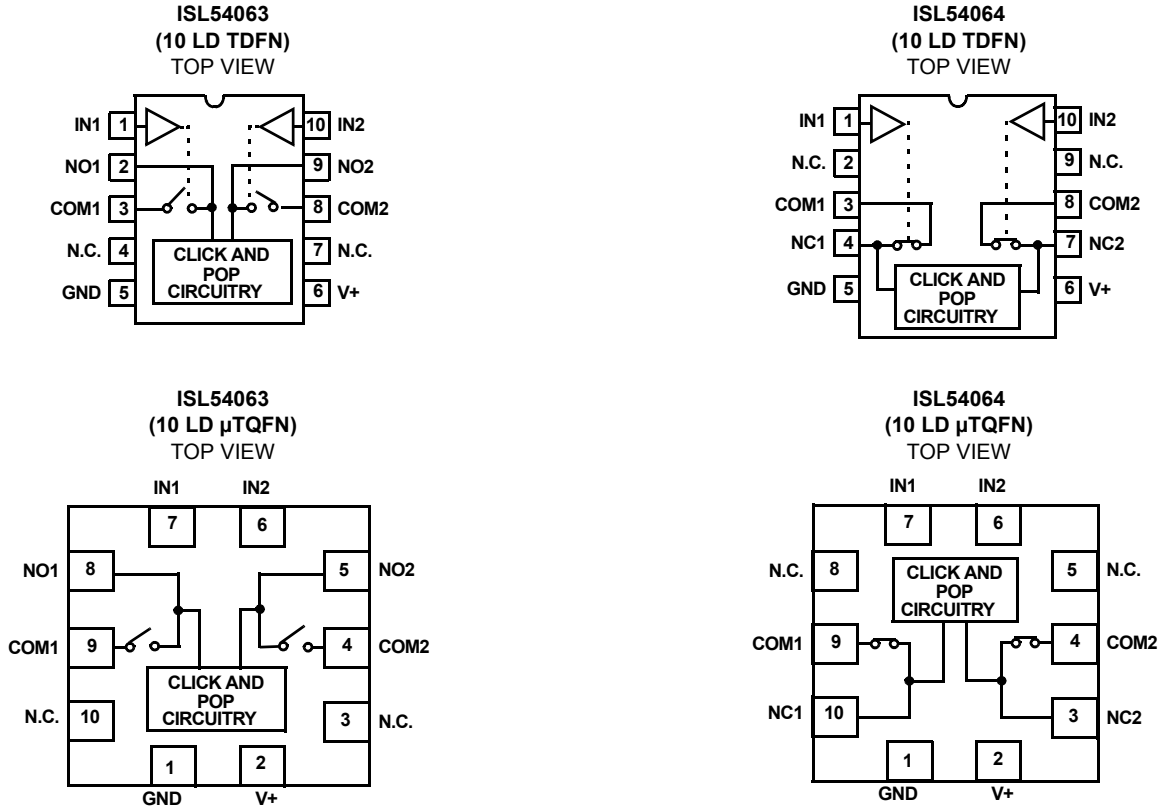
Applications

- Audio and Video Switching
- Battery powered, Handheld, and Portable Equipment
 - MP3 and Multimedia Players
 - Cellular/mobile Phones
 - Pagers
 - Laptops, Notebooks, Palmtops
- Portable Test and Measurement
- Medical Equipment

Related Literature

- Technical Brief TB363 "Guidelines for Handling and Processing Moisture Sensitive Surface Mount Devices (SMDs)"
- Application Note AN557 "Recommended Test Procedures for Analog Switches"

Pinouts (Note 1)



NOTE:

- 1. Switches Shown for INx = Logic "0".

Truth Table

| INx | ISL54063 NOx to COMx | ISL54064 NCx to COMx |
|-----|-------------------------|-------------------------|
| 0 | OFF | ON |
| 1 | ON | OFF |

NOTE: Logic "0" ≤0.5V. Logic "1" ≥1.4V with a 3V supply.

Pin Descriptions

| PIN | FUNCTION |
|------|--|
| V+ | IC Power Supply (+1.8V to +6.5V). Decouple V+ to ground by placing a 0.1μF capacitor at the V+ and GND supply lines as near as the IC as possible. |
| GND | Ground Connection |
| INx | Digital Control Input |
| COM | Analog Switch Common Pin |
| NOx | Analog Switch Normally Open Pin |
| NCx | Analog Switch Normally Closed Pin |
| N.C. | No Connect |

Ordering Information

| PART NUMBER | PART MARKING | TEMP. RANGE (°C) | PACKAGE (Pb-Free) | PKG. DWG. # |
|--------------------------------|--------------|------------------|---------------------------------------|--------------|
| ISL54063IRTZ (Note 3) | 4063 | -40 to +85 | 10 Ld 3x3 TDFN | L10.3x3A |
| ISL54063IRTZ-T (Notes 2, 3) | 4063 | -40 to +85 | 10 Ld 3x3 TDFN (Tape and Reel) | L10.3x3A |
| ISL54063IRUZ-T (Notes 2, 4) | T6 | -40 to +85 | 10 Ld Thin μ TQFN (Tape and Reel) | L10.1.8x1.4A |
| ISL54064IRTZ (Note 3) | 4064 | -40 to +85 | 10 Ld 3x3 TDFN | L10.3x3A |
| ISL54064IRTZ-T (Notes 2, 3) | 4064 | -40 to +85 | 10 Ld 3x3 TDFN (Tape and Reel) | L10.3x3A |
| ISL54064IRUZ-T (Notes 2, 4) | T7 | -40 to +85 | 10 Ld Thin μ TQFN (Tape and Reel) | L10.1.8x1.4A |

NOTES:

2. Please refer to TB347 for details on reel specifications.
3. These Intersil Pb-free plastic packaged products employ special Pb-free material sets, molding compounds/die attach materials, and 100% matte tin plate plus anneal (e3 termination finish, which is RoHS compliant and compatible with both SnPb and Pb-free soldering operations). Intersil Pb-free products are MSL classified at Pb-free peak reflow temperatures that meet or exceed the Pb-free requirements of IPC/JEDEC J STD-020.
4. These Intersil Pb-free plastic packaged products employ special Pb-free material sets; molding compounds/die attach materials and NiPdAu plate - e4 termination finish, which is RoHS compliant and compatible with both SnPb and Pb-free soldering operations. Intersil Pb-free products are MSL classified at Pb-free peak reflow temperatures that meet or exceed the Pb-free requirements of IPC/JEDEC J STD-020.

Absolute Maximum Ratings

| | |
|---|----------------------------|
| V+ to GND | -0.5 to 7.0V |
| Input Voltages | |
| NOx, NCx (Note 5) | (V+ - 7V) to ((V+) + 0.5V) |
| INx (Note 5) | -0.5 to ((V+) + 0.5V) |
| Output Voltages | |
| COMx (Note 5) | (V+ - 7V) to ((V+) + 0.5V) |
| Continuous Current NOx, NCx, or COMx | ±300mA |
| Peak Current NOx, NCx, or COMx (Pulsed 1ms, 10% Duty Cycle, Max) | ±500mA |
| ESD Rating: | |
| Human Body Model | >6kV |
| Machine Model | >400V |
| Charged Device Model | >1.5kV |

Thermal Information

| | | |
|--|---|----------------------|
| Thermal Resistance (Typical) | θ_{JA} (°C/W) | θ_{JC} (°C/W) |
| 10 Ld 3x3 TDFN Package (Notes 6, 8) | 55 | 18 |
| 10 Ld μ TQFN Package (Note 7) | 155 | N/A |
| Maximum Junction Temperature (Plastic Package) | +150°C | |
| Maximum Storage Temperature Range | -65°C to +150°C | |
| Pb-Free Reflow Profile | see link below http://www.intersil.com/pbfree/Pb-FreeReflow.asp | |

Operating Conditions

| | |
|--------------------|----------------|
| Temperature Range | -40°C to +85°C |
| Power Supply Range | +1.8V to +6.5V |

AUTION: Do not operate at or near the maximum ratings listed for extended periods of time. Exposure to such conditions may adversely impact product reliability and result in failures not covered by warranty.

NOTES:

- Signals on NC, NO, IN, or COM exceeding V+ or GND by the specified amount are clamped by internal diodes. Limit forward diode current to maximum current ratings.
- θ_{JA} is measured in free air with the component mounted on a high effective thermal conductivity test board with "direct attach" features. See Tech Brief TB379.
- θ_{JA} is measured with the component mounted on a high effective thermal conductivity test board in free air. See Tech Brief TB379 for details.
- For θ_{JC} , the "case temp" location is the center of the exposed metal pad on the package underside.

Electrical Specifications - 5V Supply Test Conditions: V+ = +4.5V to +5.5V, GND = 0V, V_{INH} = 2.4V, V_{INL} = 0.8V (Note 9), Unless Otherwise Specified.

| PARAMETER | TEST CONDITIONS | TEMP (°C) | MIN (Notes 10, 11) | TYP | MAX (Notes 10, 11) | UNITS |
|---|---|-----------|--------------------|------|--------------------|------------|
| ANALOG SWITCH CHARACTERISTICS | | | | | | |
| ON-Resistance, r_{ON} | V+ = 4.5V, I_{COM} = 100mA, V_{NO} or V_{NC} = (V+ - 6.5) to V+ (see Figure 4) | 25 | - | 0.55 | - | Ω |
| | | Full | - | 0.68 | - | Ω |
| r_{ON} Matching Between Channels, Δr_{ON} | V+ = 4.5V, I_{COM} = 100mA, V_{NO} or V_{NC} = Voltage at max r_{ON} , (Note 13) | 25 | - | 15 | - | m Ω |
| | | Full | - | 30 | - | m Ω |
| r_{ON} Flatness, $R_{FLAT(ON)}$ | V+ = 4.5V, I_{COM} = 100mA, V_{NO} or V_{NC} = (V+ - 6.5) to V+, (Note 12) | 25 | - | 0.11 | - | Ω |
| | | Full | - | 0.14 | - | Ω |
| COM ON Leakage Current, $I_{COM(ON)}$ | V+ = 5V, V_{COM} = -1.5V, 5V, V_{NO} or V_{NC} = Float | 25 | - | 49 | - | nA |
| | | Full | - | 0.7 | - | μ A |
| DYNAMIC CHARACTERISTICS | | | | | | |
| Turn-ON Time, t_{ON} | V+ = 4.5V, V_{NO} or V_{NC} = 3.0V, R_L = 50 Ω , C_L = 35pF (see Figure 1) | 25 | - | 35 | - | ns |
| | | Full | - | 30 | - | ns |
| Turn-OFF Time, t_{OFF} | V+ = 4.5V, V_{NO} or V_{NC} = 3.0V, R_L = 50 Ω , C_L = 35pF (see Figure 1) | 25 | - | 10 | - | ns |
| | | Full | - | 15 | - | ns |
| Charge Injection, Q | V_G = 0V, R_G = 0 Ω , C_L = 1.0nF (see Figure 2) | 25 | - | 170 | - | pC |
| OFF-Isolation | R_L = 50 Ω , C_L = 5pF, f = 100kHz, V_{COM} = 1V _{RMS} (see Figure 3) | 25 | - | 60 | - | dB |
| Crosstalk (Channel-to-Channel) | R_L = 50 Ω , C_L = 5pF, f = 1MHz, V_{COM} = 1V _{RMS} (see Figure 5) | 25 | - | -75 | - | dB |
| Total Harmonic Distortion | f = 20Hz to 20kHz, V_{COM} = 0.5V _{P-P} , R_L = 32 Ω | 25 | - | 0.02 | - | % |
| -3dB Bandwidth | V_{COM} = 1V _{RMS} , R_L = 50 Ω , C_L = 5pF | 25 | - | 60 | - | MHz |
| NO x or NCx OFF Capacitance, C_{OFF} | f = 1MHz | 25 | - | 36 | - | pF |
| COMx ON Capacitance, $C_{COM(ON)}$ | f = 1MHz (See Figure 6) | 25 | - | 88 | - | pF |

Electrical Specifications - 5V Supply Test Conditions: $V_+ = +4.5V$ to $+5.5V$, $GND = 0V$, $V_{INH} = 2.4V$, $V_{INL} = 0.8V$ (Note 9), Unless Otherwise Specified. **(Continued)**

| PARAMETER | TEST CONDITIONS | TEMP (°C) | MIN (Notes 10, 11) | TYP | MAX (Notes 10, 11) | UNITS |
|--------------------------------------|---------------------------------------|-----------|--------------------|------|--------------------|---------|
| POWER SUPPLY CHARACTERISTICS | | | | | | |
| Positive Supply Current, I_+ | $V_+ = 5.5V$, $V_{IN} = 0V$ or V_+ | 25 | - | 0.02 | 0.1 | μA |
| | | Full | - | 2.5 | - | μA |
| DIGITAL INPUT CHARACTERISTICS | | | | | | |
| Input Voltage Low, V_{INL} | | Full | - | - | 0.8 | V |
| Input Voltage High, V_{INH} | | Full | 2.4 | - | - | V |
| Input Current, I_{INH} , I_{INL} | $V_+ = 5.5V$, $V_{IN} = 0V$ or V_+ | 25 | -0.1 | - | 0.1 | μA |
| | | Full | - | 0.89 | - | μA |

Electrical Specifications - 4.3V Supply Test Conditions: $V_+ = +3.9V$ to $+4.5V$, $GND = 0V$, $V_{INH} = 1.6V$, $V_{INL} = 0.5V$ (Note 9), Unless Otherwise Specified.

| PARAMETER | TEST CONDITIONS | TEMP (°C) | MIN (Notes 10, 11) | TYP | MAX (Notes 10, 11) | UNITS |
|---|--|-----------|--------------------|-------|--------------------|-----------|
| ANALOG SWITCH CHARACTERISTICS | | | | | | |
| ON-Resistance, r_{ON} | $V_+ = 4.3V$, $I_{COM} = 100mA$, V_{NO} or $V_{NC} = (V_+ - 6.5V)$ to V_+ , (See Figure 4) | 25 | - | 0.57 | - | Ω |
| | | Full | - | 0.68 | - | Ω |
| r_{ON} Matching Between Channels, Δr_{ON} | $V_+ = 4.3V$, $I_{COM} = 100mA$, V_{NO} or $V_{NC} =$ Voltage at max r_{ON} , (Note 13) | 25 | - | 15 | - | $m\Omega$ |
| | | Full | - | 30 | - | $m\Omega$ |
| r_{ON} Flatness, $R_{FLAT(ON)}$ | $V_+ = 4.3V$, $I_{COM} = 100mA$, V_{NO} or $V_{NC} = (V_+ - 6.5V)$ to V_+ , (Note 12) | 25 | - | 0.1 | - | Ω |
| | | Full | - | 0.14 | - | Ω |
| COM ON Leakage Current, $I_{COM(ON)}$ | $V_+ = 4.3V$, $V_{COM} = -1.2V, 4.3V$, V_{NO} or $V_{NC} =$ Float | 25 | -0.1 | - | 0.1 | μA |
| | | Full | - | 1.1 | - | μA |
| DYNAMIC CHARACTERISTICS | | | | | | |
| Turn-ON Time, t_{ON} | $V_+ = 3.9V$, V_{NO} or $V_{NC} = 3.0V$, $R_L = 50\Omega$, $C_L = 35pF$ (see Figure 1) | 25 | - | 43 | - | ns |
| | | Full | - | 50 | - | ns |
| Turn-OFF Time, t_{OFF} | $V_+ = 3.9V$, V_{NO} or $V_{NC} = 3.0V$, $R_L = 50\Omega$, $C_L = 35pF$ (see Figure 1) | 25 | - | 23.1 | - | ns |
| | | Full | - | 23.2 | - | ns |
| Charge Injection, Q | $C_L = 1.0nF$, $V_G = 0V$, $R_G = 0\Omega$ (see Figure 2) | 25 | - | 200 | - | pC |
| OFF-Isolation | $R_L = 50\Omega$, $C_L = 5pF$, $f = 100kHz$, $V_{COM} = 1V_{RMS}$ (see Figure 3) | 25 | - | 60 | - | dB |
| Crosstalk (Channel-to-Channel) | $R_L = 50\Omega$, $C_L = 5pF$, $f = 1MHz$, $V_{COM} = 1V_{RMS}$ (see Figure 5) | 25 | - | -75 | - | dB |
| Total Harmonic Distortion | $f = 20Hz$ to $20kHz$, $V_{COM} = 2V_{P-P}$, $R_L = 32\Omega$ | 25 | - | 0.04 | - | % |
| -3dB Bandwidth | $V_{COM} = 1V_{RMS}$, $R_L = 50\Omega$, $C_L = 5pF$ | 25 | - | 60 | - | MHz |
| NOx or NCx OFF Capacitance, C_{OFF} | $f = 1MHz$ | 25 | - | 36 | - | pF |
| COMx ON Capacitance, $C_{COM(ON)}$ | $f = 1MHz$ (see Figure 6) | 25 | - | 88 | - | pF |
| POWER SUPPLY CHARACTERISTICS | | | | | | |
| Positive Supply Current, I_+ | $V_+ = +4.5V$, $V_{IN} = 0V$ or V_+ | 25 | - | 0.003 | 0.1 | μA |
| | | Full | - | 2.6 | - | μA |
| Positive Supply Current, I_+ | $V_+ = +4.2V$, $V_{IN} = 2.85V$ | 25 | - | 0.89 | 12 | μA |

Electrical Specifications - 4.3V SupplyTest Conditions: $V_+ = +3.9V$ to $+4.5V$, $GND = 0V$, $V_{INH} = 1.6V$, $V_{INL} = 0.5V$ (Note 9), Unless Otherwise Specified. (Continued)

| PARAMETER | TEST CONDITIONS | TEMP (°C) | MIN (Notes 10, 11) | TYP | MAX (Notes 10, 11) | UNITS |
|--------------------------------------|---------------------------------------|-----------|--------------------|-----|--------------------|---------|
| DIGITAL INPUT CHARACTERISTICS | | | | | | |
| Input Voltage Low, V_{INL} | | Full | - | - | 0.5 | V |
| Input Voltage High, V_{INH} | | Full | 1.6 | - | - | V |
| Input Current, I_{INH} , I_{INL} | $V_+ = 4.5V$, $V_{IN} = 0V$ or V_+ | 25 | -0.5 | - | 0.5 | μA |
| | | Full | - | 0.5 | - | μA |

Electrical Specifications - 3V SupplyTest Conditions: $V_+ = +2.7V$ to $+3.3V$, $GND = 0V$, $V_{INH} = 1.4V$, $V_{INL} = 0.5V$ (Note 9), Unless Otherwise Specified.

| PARAMETER | TEST CONDITIONS | TEMP (°C) | MIN (Notes 10, 11) | TYP | MAX (Notes 10, 11) | UNITS |
|---|--|-----------|--------------------|------|--------------------|-----------|
| ANALOG SWITCH CHARACTERISTICS | | | | | | |
| r_{ON} -Resistance, r_{ON} | $V_+ = 2.7V$, $I_{COM} = 100mA$, V_{NO} or $V_{NC} = (V_+ - 6.5V)$ to V_+ (see Figure 4) | 25 | - | 0.82 | - | Ω |
| | | Full | - | 0.94 | - | Ω |
| r_{ON} Matching Between Channels, Δr_{ON} | $V_+ = 2.7V$, $I_{COM} = 100mA$, V_{NO} or $V_{NC} =$ Voltage at max r_{ON} , (Note 13) | 25 | - | 10 | - | $m\Omega$ |
| | | Full | - | 30 | - | $m\Omega$ |
| r_{ON} Flatness, $R_{FLAT(ON)}$ | $V_+ = 2.7V$, $I_{COM} = 100mA$, V_{NO} or $V_{NC} = (V_+ - 6.5V)$ to V_+ , (Notes 12, 14) | 25 | - | 0.35 | 0.5 | Ω |
| | | Full | - | 0.4 | 0.55 | Ω |
| DYNAMIC CHARACTERISTICS | | | | | | |
| Turn-ON Time, t_{ON} | $V_+ = 2.7V$, V_{NO} or $V_{NC} = 1.5V$, $R_L = 50\Omega$, $C_L = 35pF$ (see Figure 1) | 25 | - | 50 | - | ns |
| | | Full | - | 60 | - | ns |
| Turn-OFF Time, t_{OFF} | $V_+ = 2.7V$, V_{NO} or $V_{NC} = 1.5V$, $R_L = 50\Omega$, $C_L = 35pF$ (see Figure 1) | 25 | - | 27 | - | ns |
| | | Full | - | 35 | - | ns |
| Charge Injection, Q | $C_L = 1.0nF$, $V_G = 0V$, $R_G = 0\Omega$ (see Figure 2) | 25 | - | 94 | - | pC |
| OFF-Isolation | $R_L = 50\Omega$, $C_L = 5pF$, $f = 100kHz$, $V_{COM} = 1V_{RMS}$ (see Figure 3) | 25 | - | 60 | - | dB |
| Crosstalk (Channel-to-Channel) | $R_L = 50\Omega$, $C_L = 5pF$, $f = 1MHz$, $V_{COM} = 1V_{RMS}$ (see Figure 5) | 25 | - | -75 | - | dB |
| Total Harmonic Distortion | $f = 20Hz$ to $20kHz$, $V_{COM} = 0.5V_{P-P}$, $R_L = 32\Omega$ | 25 | - | 0.04 | - | % |
| -3dB Bandwidth | $V_{COM} = 1V_{RMS}$, $R_L = 50\Omega$, $C_L = 5pF$ | 25 | - | 60 | - | MHz |
| NOx or NCx OFF Capacitance, C_{OFF} | $f = 1MHz$ | 25 | - | 36 | - | pF |
| COMx ON Capacitance, $C_{COM(ON)}$ | $f = 1MHz$ (see Figure 6) | 25 | - | 88 | - | pF |
| DIGITAL INPUT CHARACTERISTICS | | | | | | |
| Input Voltage Low, V_{INL} | | 25 | - | - | 0.5 | V |
| Input Voltage High, V_{INH} | | 25 | 1.4 | - | - | V |
| Input Current, I_{INH} , I_{INL} | $V_+ = 3.3V$, $V_{IN} = 0V$ or V_+ | 25 | -0.5 | - | 0.5 | μA |
| | | Full | - | 0.4 | - | μA |

Electrical Specifications - 1.8V Supply

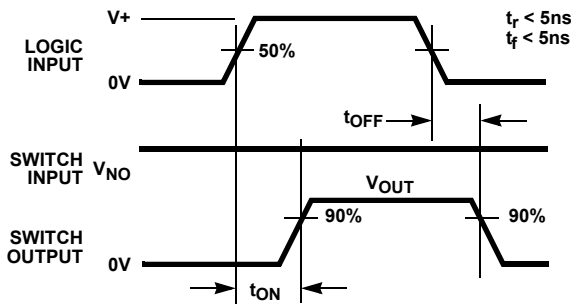
Test Conditions: $V_+ = +1.8V$, $GND = 0V$, $V_{INH} = 1.0V$, $V_{INL} = 0.4V$ (Note 9),
Unless Otherwise Specified.

| PARAMETER | TEST CONDITIONS | TEMP (°C) | MIN (Notes 10, 11) | TYP | MAX (Notes 10, 11) | UNITS |
|---|--|--------------|-----------------------|------|-----------------------|-----------|
| ANALOG SWITCH CHARACTERISTICS | | | | | | |
| ON-Resistance, r_{ON} | $V_+ = 1.8V$, $I_{COM} = 100mA$, V_{NO} or $V_{NC} = (V_+ - 6.5V)$ to V_+ (see Figure 4) | 25 | - | 1.87 | - | Ω |
| | | Full | - | 1.97 | - | Ω |
| r_{ON} Matching Between Channels, Δr_{ON} | $V_+ = 1.8V$, $I_{COM} = 100mA$, V_{NO} or $V_{NC} =$ Voltage at max r_{ON} , (Note 13) | 25 | - | 16 | - | $m\Omega$ |
| | | Full | - | 30 | - | $m\Omega$ |
| r_{ON} Flatness, $R_{FLAT(ON)}$ | $V_+ = 1.8V$, $I_{COM} = 100mA$, V_{NO} or $V_{NC} = (V_+ - 6.5V)$ to V_+ , (Note 12) | 25 | - | 1.34 | - | Ω |
| | | Full | - | 1.43 | - | Ω |
| DYNAMIC CHARACTERISTICS | | | | | | |
| Turn-ON Time, t_{ON} | $V_+ = 1.8V$, V_{NO} or $V_{NC} = 1.8V$, $R_L = 50\Omega$, $C_L = 35pF$ (see Figure 1) | 25 | - | 145 | - | ns |
| | | Full | - | 150 | - | ns |
| Turn-OFF Time, t_{OFF} | $V_+ = 1.8V$, V_{NO} or $V_{NC} = 1.8V$, $R_L = 50\Omega$, $C_L = 35pF$ (see Figure 1) | 25 | - | 20 | - | ns |
| | | Full | - | 22 | - | ns |
| Charge Injection, Q | $C_L = 1.0nF$, $V_G = 0V$, $R_G = 0\Omega$ (see Figure 2) | 25 | - | 40 | - | pC |
| -3dB Bandwidth | $V_{COM} = 1V_{RMS}$, $R_L = 50\Omega$, $C_L = 5pF$ | 25 | - | 60 | - | MHz |
| NOx or NCx OFF Capacitance, C_{OFF} | $f = 1MHz$ (see Figure 6) | 25 | - | 36 | - | pF |
| COMx ON Capacitance, $C_{COM(ON)}$ | $f = 1MHz$ (see Figure 6) | 25 | - | 88 | - | pF |
| DIGITAL INPUT CHARACTERISTICS | | | | | | |
| Input Voltage Low, V_{INL} | | 25 | - | - | 0.4 | V |
| Input Voltage High, V_{INH} | | 25 | 1.0 | - | - | V |
| Input Current, I_{INH} , I_{INL} | $V_+ = 2.0V$, $V_{IN} = 0V$ or V_+ | 25 | -0.5 | - | 0.5 | μA |
| Input Current, I_{INH} , I_{INL} | $V_+ = 2.0V$, $V_{IN} = 0V$ or V_+ | Full | - | 0.38 | - | μA |

NOTES:

9. V_{IN} = input voltage to perform proper function.
10. The algebraic convention, whereby the most negative value is a minimum and the most positive a maximum, is used in this data sheet.
11. Parameters with MIN and/or MAX limits are 100% tested at +25°C, unless otherwise specified. Temperature limits established by characterization and are not production tested.
12. Flatness is defined as the difference between maximum and minimum value of ON-resistance over the specified analog signal range.
13. r_{ON} matching between channels is calculated by subtracting the channel with the highest max r_{ON} value from the channel with lowest max r_{ON} value, between NC1 and NC2 or between NO1 and NO2.
14. Limits established by characterization and are not production tested.

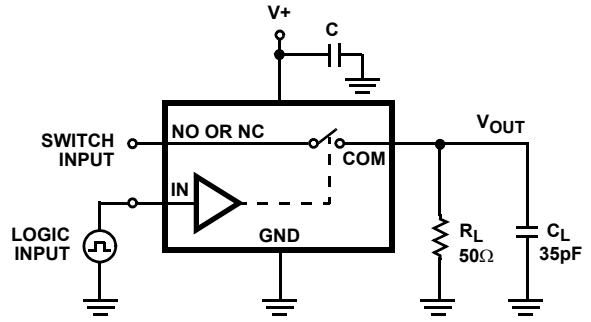
Test Circuits and Waveforms



Logic input waveform is inverted for switches that have the opposite logic sense.

FIGURE 1A. MEASUREMENT POINTS

FIGURE 1. SWITCHING TIMES



Repeat test for all switches. C_L includes fixture and stray capacitance.

$$V_{OUT} = V_{(NO \text{ OR } NC)} \frac{R_L}{R_L + r_{ON}}$$

FIGURE 1B. TEST CIRCUIT

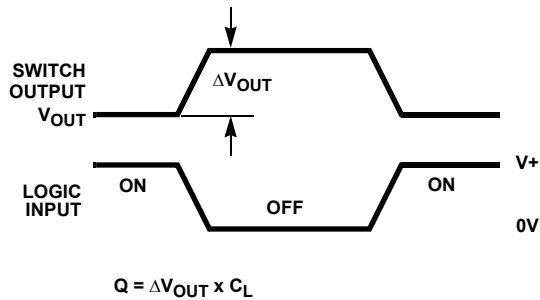
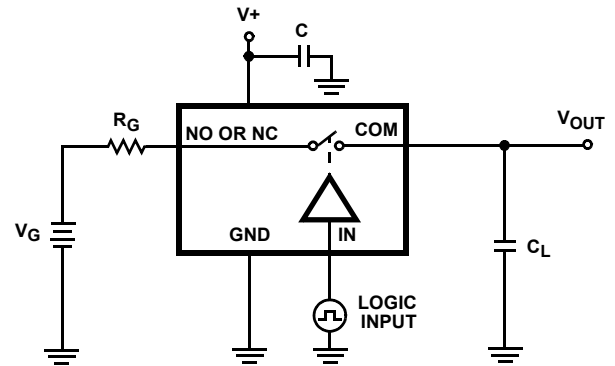


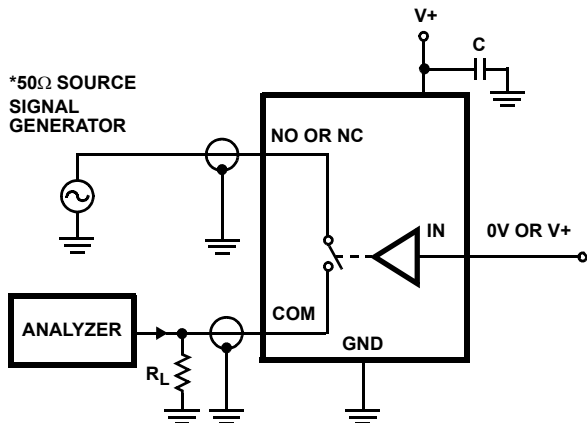
FIGURE 2A. MEASUREMENT POINTS

FIGURE 2. CHARGE INJECTION



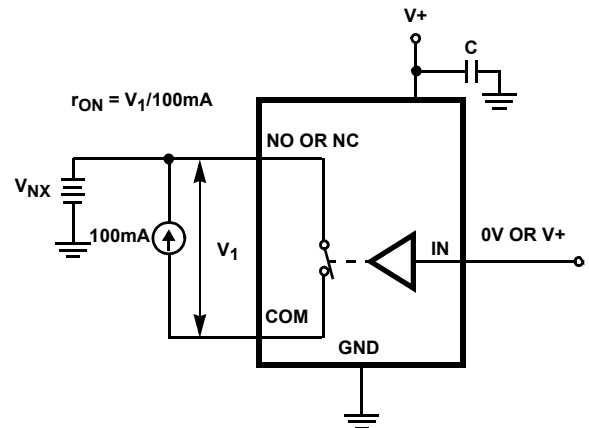
Repeat test for all switches.

FIGURE 2B. TEST CIRCUIT



Signal direction through switch is reversed, worst case values are recorded. Repeat test for all switches.

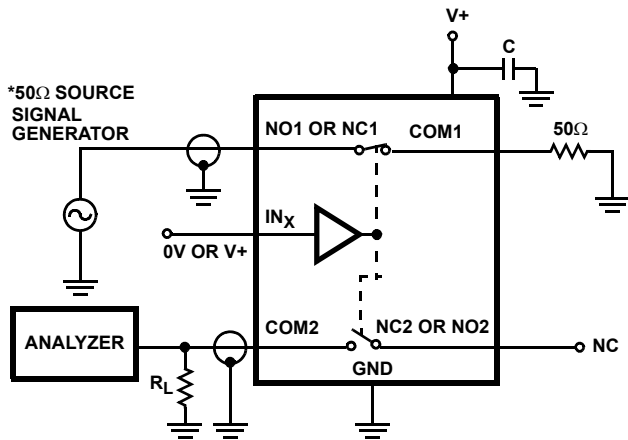
FIGURE 3. OFF-ISOLATION TEST CIRCUIT



Repeat test for all switches.

FIGURE 4. r_{ON} TEST CIRCUIT

Test Circuits and Waveforms (Continued)



Signal direction through switch is reversed, worst case values are recorded. Repeat test for all switches.

FIGURE 5. CROSSTALK TEST CIRCUIT

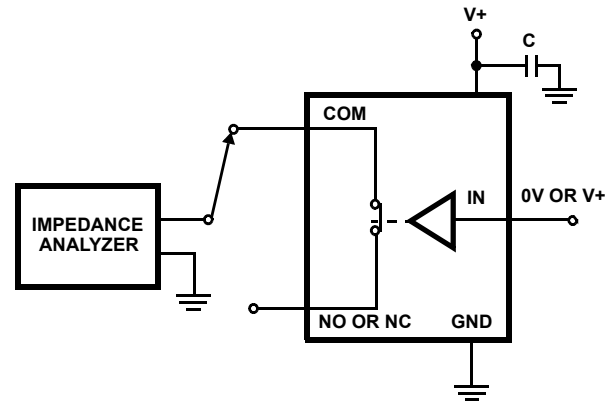
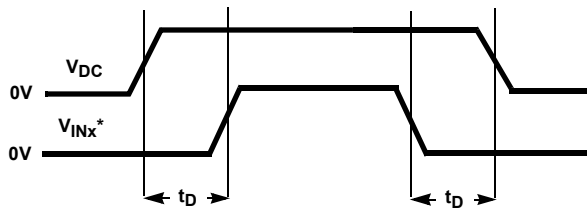


FIGURE 6. CAPACITANCE TEST CIRCUIT



*VINx waveform for Click and Pop Elimination on NOx terminal. For Click and Pop Elimination on NCx terminal invert VINx.

t_D = 200ms measured at 50% points.

FIGURE 7A. CLICK AND POP WAVEFORM

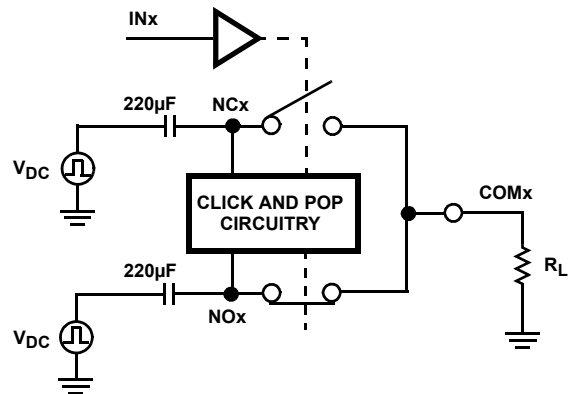


FIGURE 7B. CLICK AND POP TEST CIRCUIT

FIGURE 7. CLICK AND POP ELIMINATION

Detailed Description

The ISL54063 and ISL54064 are bidirectional, dual single pole-single throw (SPST) analog switches that offers precise switching from a single 1.8V to 6.5V supply with low ON-resistance (0.83Ω), high speed operation (t_{ON} = 55ns, t_{OFF} = 18ns) and negative signal swing capability. The device is especially well suited for portable battery powered equipment due to its low operating supply voltage (1.8V), low power consumption (20nA), and a tiny 1.8mmx1.4mm μTQFN package or a 3mmx3mm TDFN package. The low ON-resistance and r_{ON} flatness provide very low insertion loss and signal distortion for applications that require signal switching with minimal interference by the switch.

The ISL54063 is a normally open (NO) SPST analog switch. The ISL54064 is a normally closed (NC) SPST analog switch.

Supply Sequencing and Overvoltage Protection

With any CMOS device, proper power supply sequencing is required to protect the device from excessive input currents which might permanently damage the IC. The ISL54063 and

ISL54064 contains ESD protection diodes on each pin of the IC (see Figure 8). These diodes connect to either a +Ring or -Ring for ESD protection. To prevent forward biasing the ESD diodes to the +Ring, V+ must be applied before any input signals, and the input signal voltages must remain between recommended operating range.

If these conditions cannot be guaranteed, then precautions must be implemented to prohibit the current and voltage at the logic pin and signal pins from exceeding the maximum ratings of the switch. The following two methods can be used to provided additional protection to limit the current in the event that the voltage at a logic pin or switch terminal goes above the V+ rail.

Logic inputs can be protected by adding a 1kΩ resistor in series with the logic input (see Figure 8). The resistor limits the input current below the threshold that produces permanent damage.

This method is not acceptable for the signal path inputs. Adding a series resistor to the switch input defeats the purpose

of using a low r_{ON} switch. Alternatively, connecting external Schottky diodes from the V+ rail to the signal pins will shunt the fault current through the Schottky diode instead of through the internal ESD diodes, thereby protecting the switch. These Schottky diodes must be sized to handle the expected fault current..

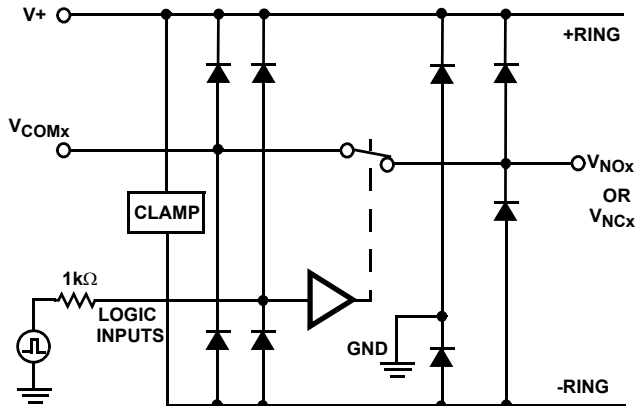


FIGURE 8. OVERVOLTAGE PROTECTION

Power-Supply Considerations

The ISL54063 and ISL54064 construction is typical of most single supply CMOS analog switches which have two supply pins: V+ and GND. V+ and GND provide the CMOS switch bias and sets their analog voltage limits. Unlike switches with a 5.5V maximum supply voltage, the ISL54063 and ISL54064 have a 6.5V maximum supply voltage providing plenty of head room for the 10% tolerance of 5V supplies due to overshoot and noise spikes.

The minimum recommended supply voltage is 1.8V. It is important to note that the input signal range, switching times, and ON-resistance degrade at lower supply voltages. Refer to the “Electrical Specifications” tables, beginning on page 4, and “Typical Performance Curves”, beginning on page 11, for details.

V+ and GND also power the internal logic and level shifters. The level shifters convert the input logic levels to V+ and GND signals levels to drive the analog switch gate terminals. A high frequency decoupling capacitor placed as close to the V+ and GND pin as possible is recommended for proper operation of the switch. A value of 0.1 μ F is highly recommended.

Negative Signal Swing Capability

The ISL54063 and ISL54064 contains circuitry that allows the analog switch signal to swing below ground. The device has an analog signal range of 6.5V below V+ up to the V+ rail (see Figure 14) while maintaining low r_{ON} performance. For example, if V+ = 5V, then the analog input signal range is from -1.5V to +5V. If V+ = 2.7V then the range is from -3.8V to +2.7V.

Logic-Level Thresholds

This switch family is 1.8V CMOS compatible (0.45V V_{OLMAX} and 1.35V V_{OHMIN}) over a supply range of 1.8V to 3.3V (see

Figure 16). At 3.3V the V_{IL} level is 0.5V maximum. This is still below the 1.8V CMOS guaranteed low output maximum level of 0.45V, but noise margin is reduced. At 3.3V the V_{IH} level is 1.4V minimum. While this is above the 1.8V CMOS guaranteed high output minimum of 1.35V under most operating conditions the switch will recognize this as a valid logic high.

The digital input stages draw supply current whenever the digital input voltage is not at one of the supply rails. Driving the digital input signals from GND to V+ with a fast transition time minimizes power dissipation. The ISL54063 and ISL54064 have been designed to minimize the supply current whenever the digital input voltage is not driven to the supply rails (0V to V+). For example driving the device with 2.85V logic high while operating with a 4.2V supply the device draws only 1 μ A of current.

High-Frequency Performance

In 50 Ω systems, the ISL54063 and ISL54064 have an ON switch -3dB bandwidth of 60MHz (see Figure 19). The frequency response is very consistent over a wide V+ range, and for varying analog signal levels.

An OFF switch acts like a capacitor across the open terminals and AC couples higher frequencies, resulting in signal feed-through from a switch’s input to its output. Off-Isolation is the resistance to this feed-through. Crosstalk indicates the amount of feed-through from one switch channel to another switch channel. Figure 20 details the high Off-Isolation and Crosstalk rejection provided by this part. At 100kHz, Off-Isolation is about 60dB in 50 Ω systems, decreasing approximately 20dB per decade as frequency increases. At 1MHz, Crosstalk is about -75dB in 50 Ω systems, decreasing approximately 20dB per decade as frequency increases.

Leakage Considerations

Reverse ESD protection diodes are internally connected between each analog-signal pin, V+ and GND. One of these diodes conducts if any analog signal exceeds the recommended analog signal range.

Virtually all the analog switch leakage current comes from the ESD diodes and reversed biased junctions in the switch cell. Although the ESD diodes on a given signal pin are identical and therefore fairly well balanced, they are reverse biased differently. Each is biased to either the +Ring or -Ring and the analog input signal. This means their leakages will vary as the signal varies. The difference in the two diode leakages to the +Ring or -Ring and the reverse biased junctions at the internal switch cell constitutes the analog-signal-path leakage current.

Typical Performance Curves $T_A = +25^\circ\text{C}$, Unless Otherwise Specified

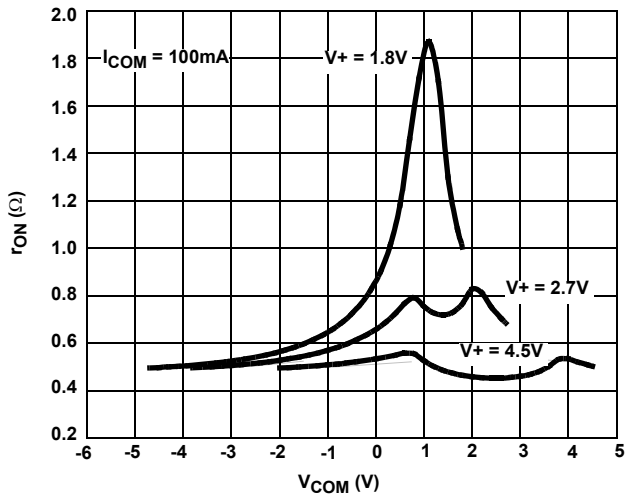


FIGURE 9. ON-RESISTANCE vs SUPPLY VOLTAGE vs SWITCH VOLTAGE

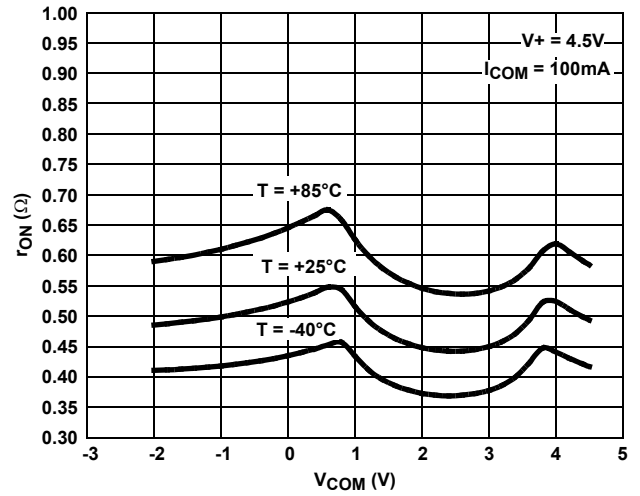


FIGURE 10. ON-RESISTANCE vs SWITCH VOLTAGE

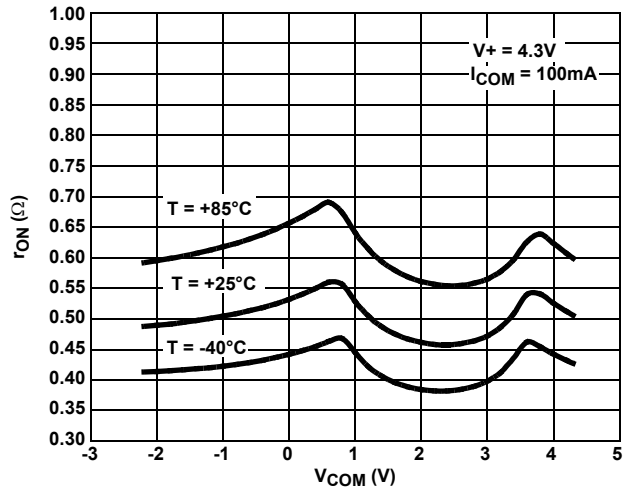


FIGURE 11. ON-RESISTANCE vs SWITCH VOLTAGE

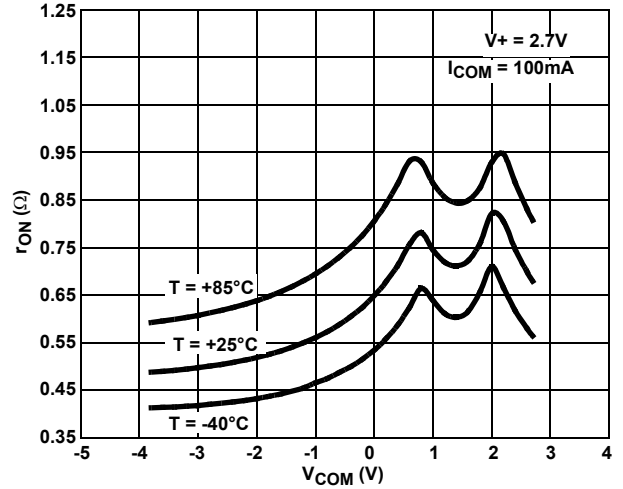


FIGURE 12. ON-RESISTANCE vs SWITCH VOLTAGE

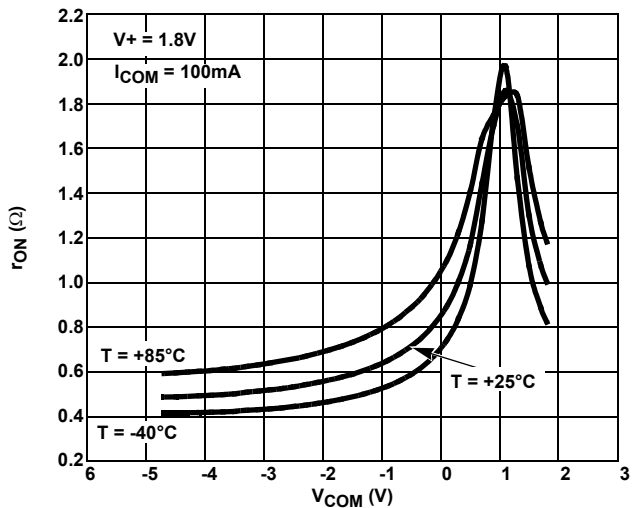


FIGURE 13. ON-RESISTANCE vs SWITCH VOLTAGE

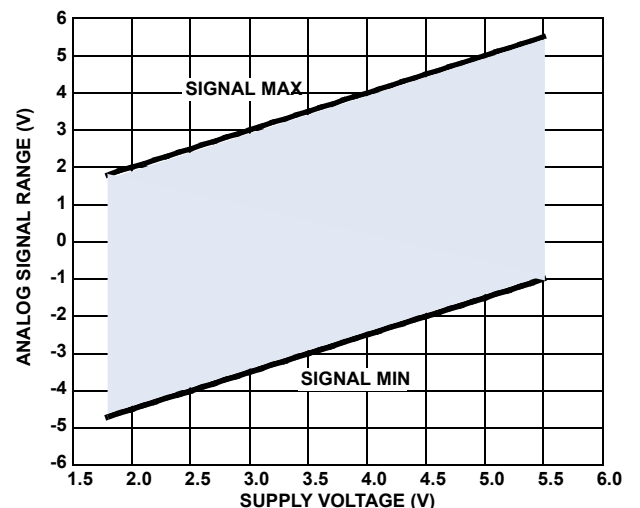


FIGURE 14. ANALOG SIGNAL RANGE vs SUPPLY VOLTAGE

Typical Performance Curves $T_A = +25^\circ\text{C}$, Unless Otherwise Specified (Continued)

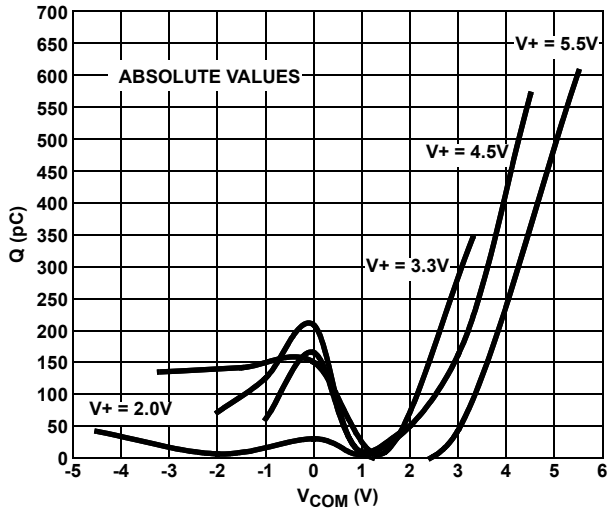


FIGURE 15. CHARGE INJECTION vs SWITCH VOLTAGE

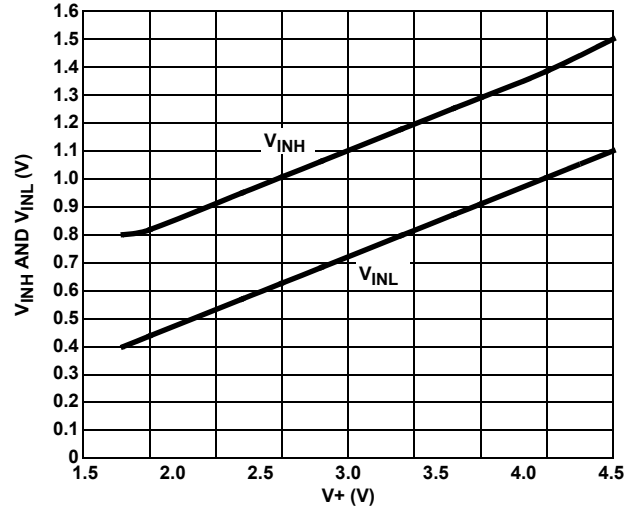


FIGURE 16. DIGITAL SWITCHING POINT vs SUPPLY VOLTAGE

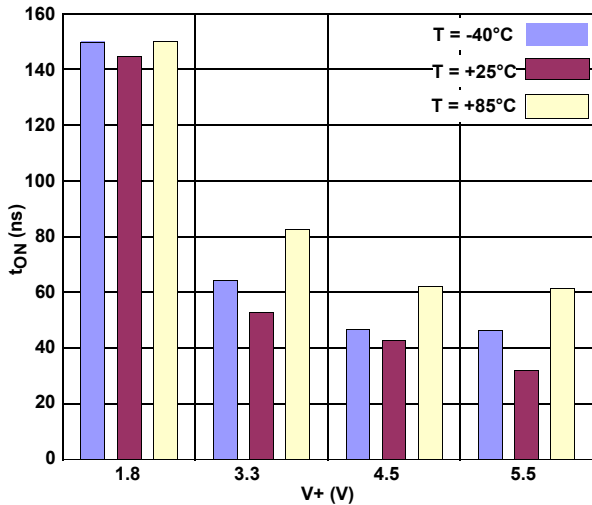


FIGURE 17. TURN - ON TIME vs SUPPLY VOLTAGE

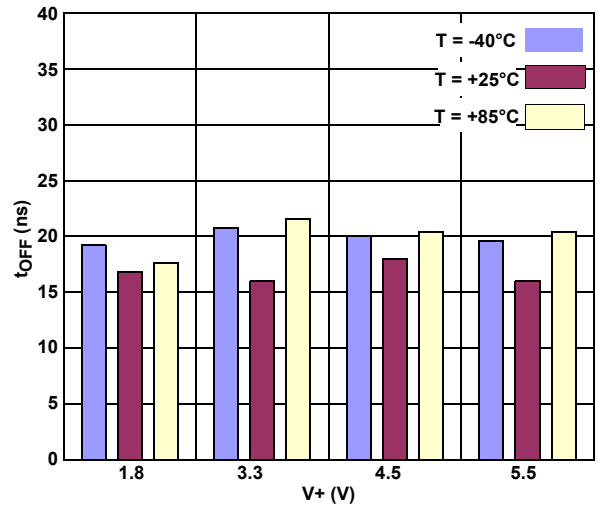


FIGURE 18. TURN - OFF TIME vs SUPPLY VOLTAGE

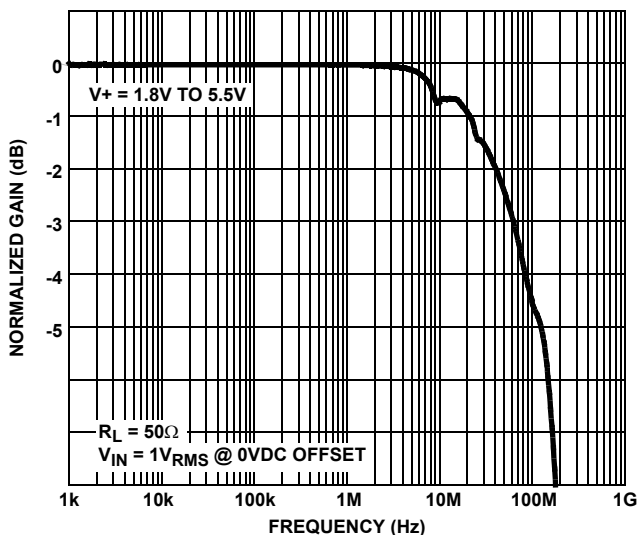


FIGURE 19. FREQUENCY RESPONSE

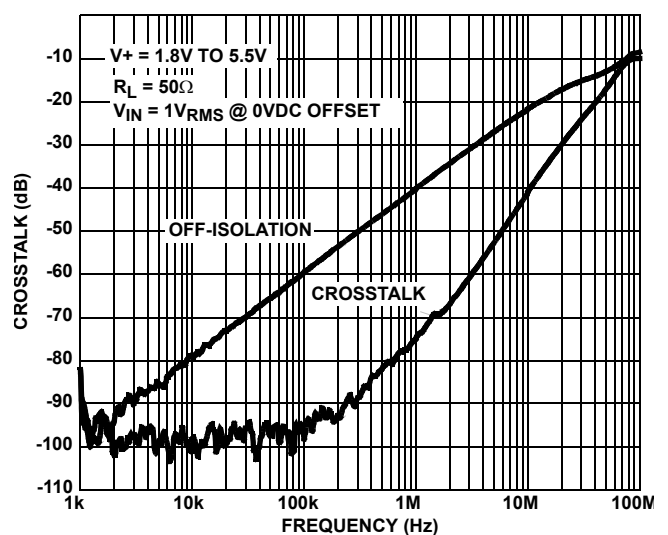


FIGURE 20. CROSSTALK AND OFF-ISOLATION

Typical Performance Curves $T_A = +25^\circ\text{C}$, Unless Otherwise Specified (Continued)

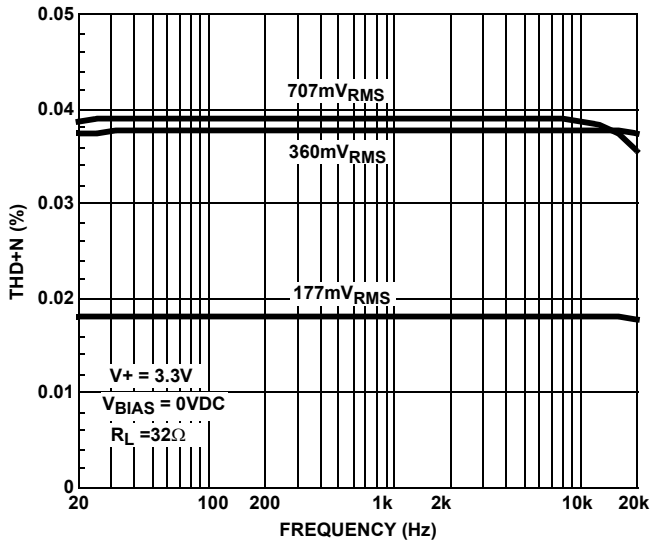


FIGURE 21. TOTAL HARMONIC DISTORTION vs FREQUENCY

Die Characteristics

SUBSTRATE POTENTIAL (POWERED UP):
GND (DFN Paddle Connection: Tie to GND or Float)

TRANSISTOR COUNT:
432

PROCESS:
Submicron CMOS

© Copyright Intersil Americas LLC 2009. All Rights Reserved.

All trademarks and registered trademarks are the property of their respective owners.

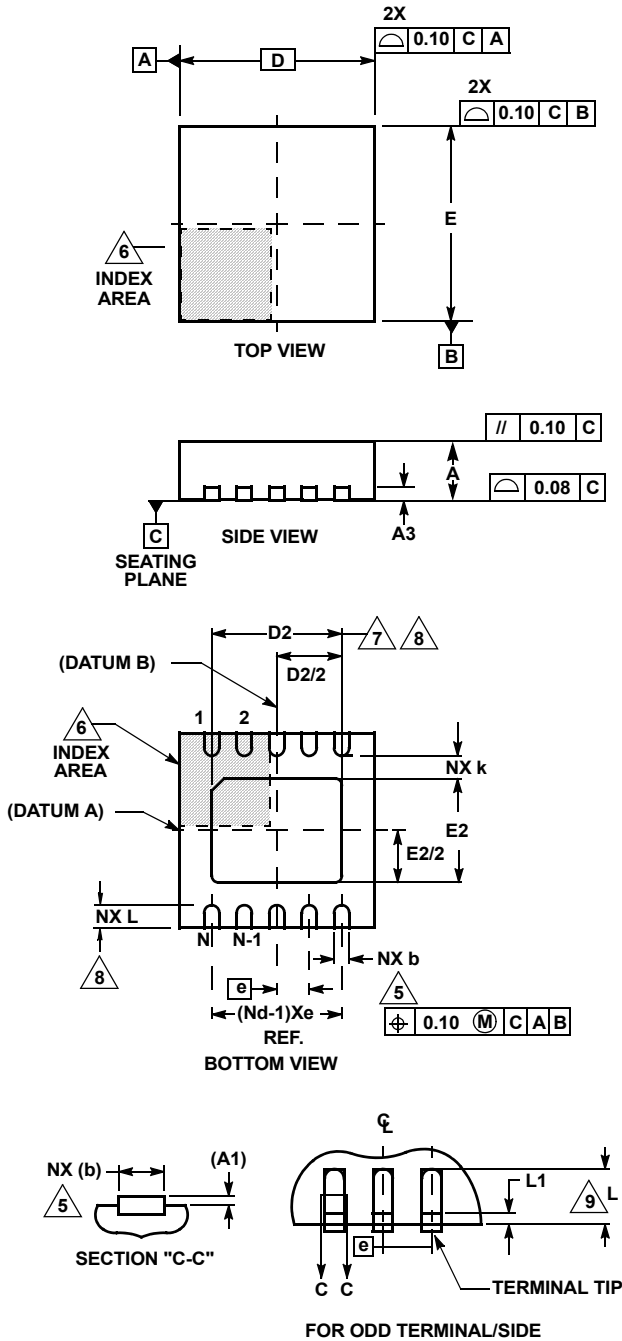
For additional products, see www.intersil.com/en/products.html

Intersil products are manufactured, assembled and tested utilizing ISO9001 quality systems as noted in the quality certifications found at www.intersil.com/en/support/qualandreliability.html

Intersil products are sold by description only. Intersil may modify the circuit design and/or specifications of products at any time without notice, provided that such modification does not, in Intersil's sole judgment, affect the form, fit or function of the product. Accordingly, the reader is cautioned to verify that datasheets are current before placing orders. Information furnished by Intersil is believed to be accurate and reliable. However, no responsibility is assumed by Intersil or its subsidiaries for its use; nor for any infringements of patents or other rights of third parties which may result from its use. No license is granted by implication or otherwise under any patent or patent rights of Intersil or its subsidiaries.

For information regarding Intersil Corporation and its products, see www.intersil.com

Thin Dual Flat No-Lead Plastic Package (TDFN)



L10.3x3A

10 LEAD THIN DUAL FLAT NO-LEAD PLASTIC PACKAGE

| SYMBOL | MILLIMETERS | | | NOTES |
|--------|-------------|---------|------|-------|
| | MIN | NOMINAL | MAX | |
| A | 0.70 | 0.75 | 0.80 | - |
| A1 | - | - | 0.05 | - |
| A3 | 0.20 REF | | | - |
| b | 0.20 | 0.25 | 0.30 | 5, 8 |
| D | 2.95 | 3.0 | 3.05 | - |
| D2 | 2.25 | 2.30 | 2.35 | 7, 8 |
| E | 2.95 | 3.0 | 3.05 | - |
| E2 | 1.45 | 1.50 | 1.55 | 7, 8 |
| e | 0.50 BSC | | | - |
| k | 0.25 | - | - | - |
| L | 0.25 | 0.30 | 0.35 | 8 |
| N | 10 | | | 2 |
| Nd | 5 | | | 3 |

Rev. 3 3/06

NOTES:

1. Dimensioning and tolerancing conform to ASME Y14.5-1994.
2. N is the number of terminals.
3. Nd refers to the number of terminals on D.
4. All dimensions are in millimeters. Angles are in degrees.
5. Dimension b applies to the metallized terminal and is measured between 0.15mm and 0.30mm from the terminal tip.
6. The configuration of the pin #1 identifier is optional, but must be located within the zone indicated. The pin #1 identifier may be either a mold or mark feature.
7. Dimensions D2 and E2 are for the exposed pads which provide improved electrical and thermal performance.
8. Nominal dimensions are provided to assist with PCB Land Pattern Design efforts, see Intersil Technical Brief TB389.
9. Compliant to JEDEC MO-229-WEED-3 except for D2 dimensions.