

ISL80136EVAL1Z, ISL80138EVAL1Z

Evaluation Board

AN1784
Rev 0.00
May 19, 2015

Description

The ISL80136EVAL1Z and ISL80138EVAL1Z evaluation boards are designed to demo the performance of these high voltage linear regulators. The evaluation boards are available with jumpers to set output voltage from 2.5V to 12V for easy evaluation by configuring a single resistor. The evaluation boards can also be configured to give a specific output voltage.

Specification

These boards have been configured and optimized for the following operating conditions:

- V_{IN} = 6V to 40V
- V_{OUT} = 2.5V to 12V
- I_{OUT} maximum is 50mA for ISL80136 and 150mA for ISL80138.
- Selectable output by setting jumper pins JP2 through JP8.
- JP1 uses for setting custom output voltage.

Features

- Wide V_{IN} range of 6V to 40V
- Adjustable output voltage from 2.5V to 12V
- I_{OUT} is 50mA for ISL80136 and 150mA for ISL80138
- Ultra low 18 μ A typical quiescent current
- $\pm 1\%$ accurate voltage reference
- Overcurrent protection
- Over-temperature/thermal protection

References

[ISL80136 Datasheet](#)

[ISL80138 Datasheet](#)

Ordering Information

PART NUMBER	DESCRIPTION
ISL80136EVAL1Z	40V Linear Regulator, 50mA Evaluation Board
ISL80138EVAL1Z	40V Linear Regulator, 150mA Evaluation Board



FIGURE 1. ISL80138EVAL1Z EVALUATION BOARD

Test Steps

1. Place jumper in proper location to set output voltage.
2. Set jumper JP9 shorting pins 1 and 2 to enable device.
3. Connect supply +6V to +40V to VIN and GND terminals.
4. Connect VOUT to load or multimeter to evaluate output.

Functional Description

The ISL80136EVAL1Z and ISL80138EVAL1Z provide a simple platform to evaluate performance of ISL80136 and ISL80138. The ISL80136 and ISL80138 are high input voltage, low quiescent current linear regulators. The ISL80136 can output up to 50mA while the ISL80138 can provide 150mA current with only 18µA typical quiescent current. Both regulators feature a wide input voltage range of 6V to 40V. The output voltage is adjustable from 2.5V to 12V through a feedback resistor divider. The ISL80136 and ISL80138 are ideal for applications that need the load to operate under “always-on” or “stay alive” conditions of a high input voltage or under load dump conditions where the system voltage may peak much higher than normal. In addition, the low dropout performance and high PSRR make these regulators a good choice as a post regulator for a noisy voltage bus.

The ISL80136EVAL1Z and ISL80138EVAL1Z evaluation boards are setup so that the user can easily configure the device for a specific output voltage with a single jumper. Jumper pins JP4 through JP7 will set the output voltage through a discrete range of 2.5V to 12V. When jumper JP1 is set, the user must populate R₁ with a resistor to get a custom output voltage.

The regulator uses a voltage divider to set the feedback reference for setting output voltage. The voltage at the output of the linear regulator when setting a custom output voltage is defined by [Equation 1](#). R₉ is set on the evaluation board at 15kΩ. Rearranging for R₁ yields [Equation 2](#).

$$V_{OUT} = 1.223V \times \left(\frac{R_9}{R_1} + 1 \right) \quad (\text{EQ. 1})$$

$$R_1 = \frac{18.3k\Omega}{V_{OUT} - 1.223} \quad (\text{EQ. 2})$$

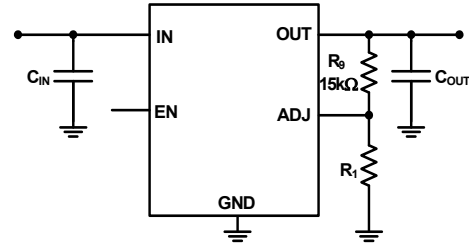


FIGURE 2. OUTPUT VOLTAGE SETTING

EVALUATION BOARD OUTPUT VOLTAGE		
V _{OUT} (V)	RSET	JUMPER SETTING
2.5	14kΩ	JP4
3.3	8.66kΩ	JP5
5	4.75kΩ	JP6
12	1.65kΩ	JP7
CUSTOM	R ₁ = 18.3kΩ/(V _{OUT} - 1.223)	JP1

PCB Layout Guidelines

A good PCB layout is important to achieve expected performance. Consideration should be taken when placing the components and routing the trace to minimize the ground impedance, and keep the parasitic inductance low. The input and output capacitors should have a good ground connection and be placed as close to the IC as possible. The ADJ feedback trace should be away from other noisy traces. Connect the exposed pad to the ground plane using as many vias as possible within the pad for the best thermal relief.

ISL80136EVAL1Z Schematic

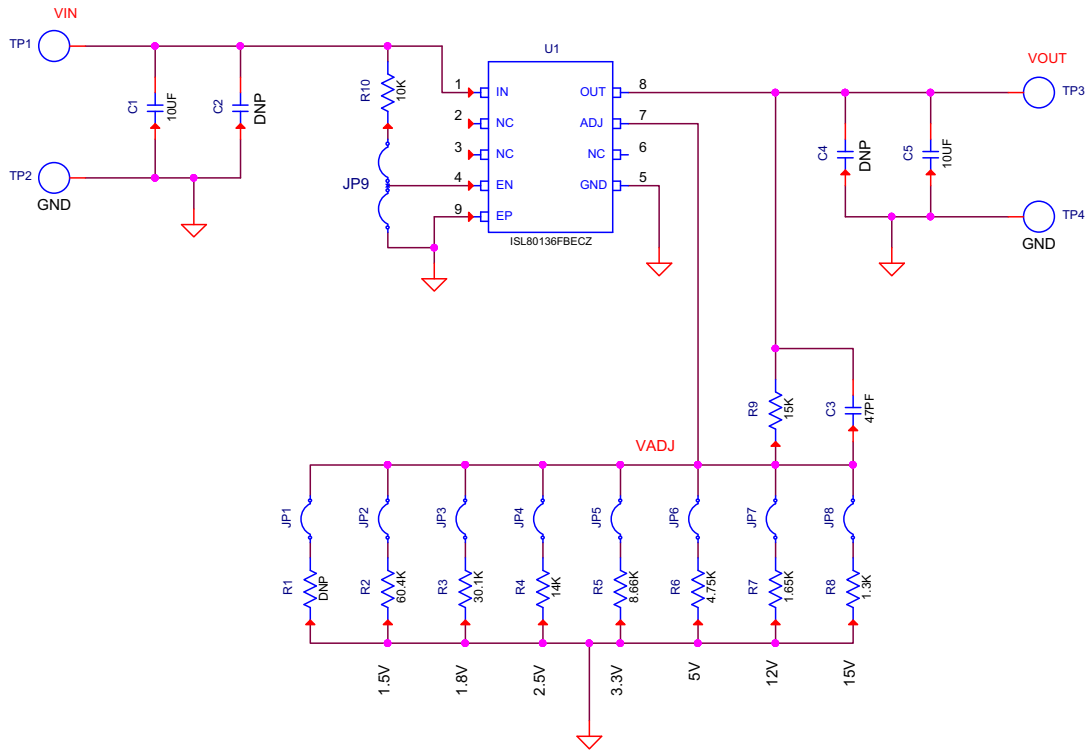


FIGURE 3. ISL80136EVAL1Z SCHEMATIC

ISL80138EVAL1Z Schematic

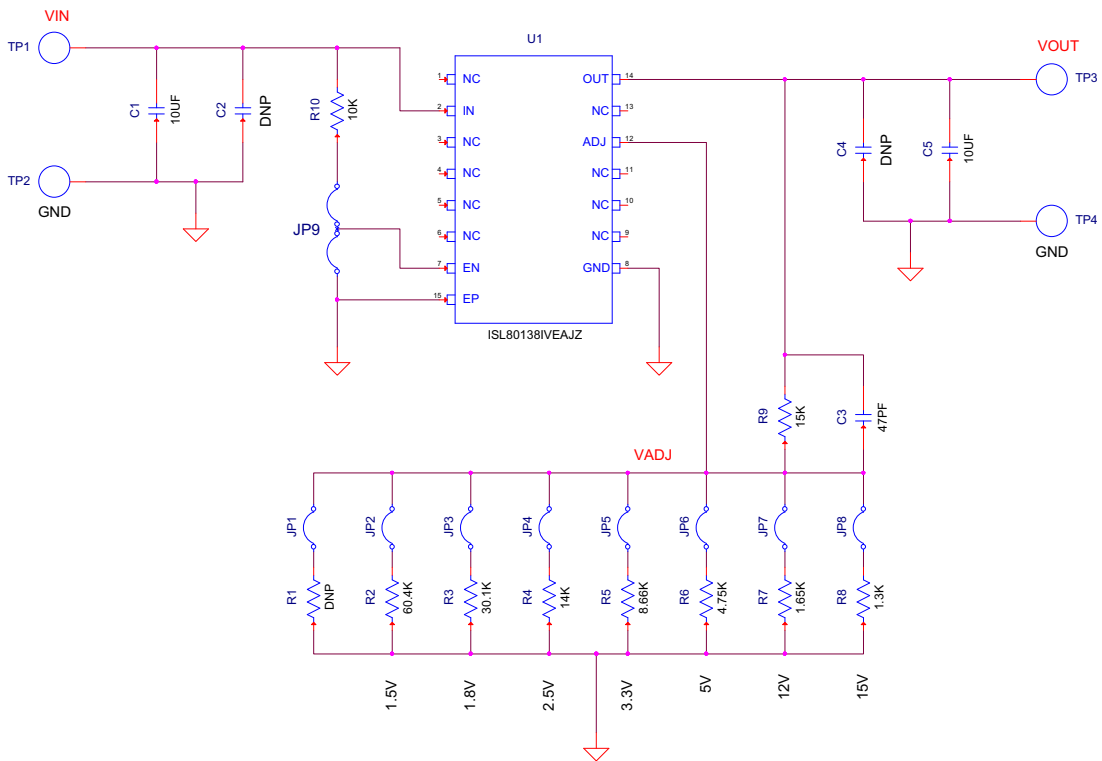


FIGURE 4. ISL80138EVAL1Z SCHEMATIC

Bill of Materials

PART NUMBER	QTY	UNITS	REFERENCE DESIGNATOR	DESCRIPTION	MANUFACTURER	MANUFACTURER PART
H1045-00470-50V5-T	1	ea.	C3	CAP, SMD, 0603, 47pF, 50V, 5%, COG, NP0, ROHS	AVX	06035A470JAT2A
H1065-00106-50V10-T	4	ea.	C1, C2, C4, C5	CAP, SMD, 1206, 10µF, 50V, 10%, X5R, ROHS	TDK	C3216X5R1H106K
1514-2	4	ea.	TP1, TP2, TP3, TP4	CONN-TURRET, TERMINAL POST, TH, ROHS	KEYSTONE	1514-2
68000-236HLF-1X3	1	ea.	JP9	CONN-HEADER, 1x3, BREAKAWY 1X36, 2.54mm, ROHS	BERG/FCI	68000-236HLF
69190-202HLF	8	ea.	JP1, JP2, JP3, JP4, JP5, JP6, JP7, JP8	CONN-HEADER, 1X2, RETENTIVE, 2.54mm, 0.230X 0.120, ROHS	BERG/FCI	69190-202HLF
SPC02SYAN	2	ea.	JP6, JP9-Pins 1 and 2	CONN-JUMPER, SHORTING, 2PIN, BLACK, GOLD, ROHS	SULLINS	SPC02SYAN
ISL80136IBEAJZ	1	ea.	U1	IC-40V LDO ADJ. LINEAR REGULATOR, 8P, EPSONIC, ROHS	INTERSIL	ISL80136IBEAJZ
ISL80138IVEAJZ	1	ea.	U1	IC-40V LDO ADJ. LINEAR REGULATOR, 14P, HTSSOP, ROHS	INTERSIL	ISL80138IVEAJZ
H2511-01002-1/10W1-T	1	ea.	R10	RES, SMD, 0603, 10k, 1/10W, 1%, TF, ROHS	KOA	RK73H1JT1002F
H2511-01301-1/10W1-T	1	ea.	R8	RES, SMD, 0603, 1.3k, 1/10W, 1%, TF, ROHS	VISHAY/DALE	CRCW06031K30FKTA
H2511-01402-1/10W1-T	1	ea.	R4	RES, SMD, 0603, 14k, 1/10W, 1%, TF, ROHS	VENKEL	CR0603-10W-1402FT
H2511-01502-1/10W1-T	1	ea.	R9	RES, SMD, 0603, 15k, 1/10W, 1%, TF, ROHS	PANASONIC	ERJ-3EKF1502V
H2511-01651-1/10W1-T	1	ea.	R7	RES, SMD, 0603, 1.65k, 1/10W, 1%, TF, ROHS	PANASONIC	ERJ-3EKF1651V
H2511-03012-1/10W1-T	1	ea.	R3	RES, SMD, 0603, 30.1k, 1/10W, 1%, TF, ROHS	VENKEL	CR0603-10W-3012FT
H2511-04751-1/10W1-T	1	ea.	R6	RES, SMD, 0603, 4.75k, 1/10W, 1%, TF, ROHS	VENKEL	CR0603-10W-4751FT
H2511-06042-1/10W1-T	1	ea.	R2	RES, SMD, 0603, 60.4k, 1/10W, 1%, TF, ROHS	YAGEO	RC0603FR-0760K4L
H2511-08661-1/10W1-T	1	ea.	R5	RES, SMD, 0603, 8.66k, 1/10W, 1%, TF, ROHS	PANASONIC	ERJ-3EKF8661V
H2511-DNP	0	ea.	R1	RES, SMD, 0603, DNP-PLACE HOLDER, ROHS		

Board Layouts

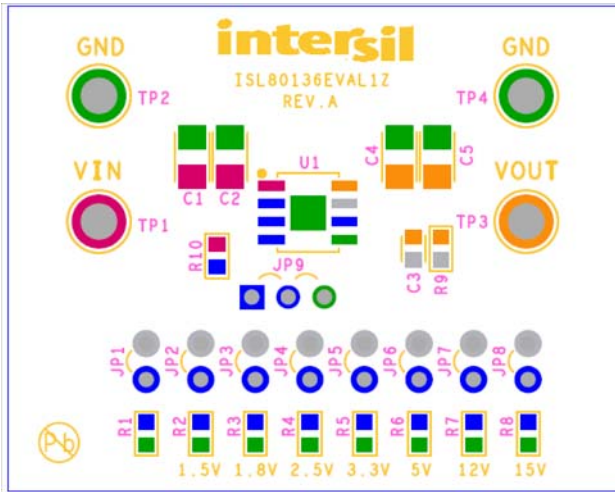


FIGURE 5. ISL80136EVAL1Z SILKSCREEN TOP

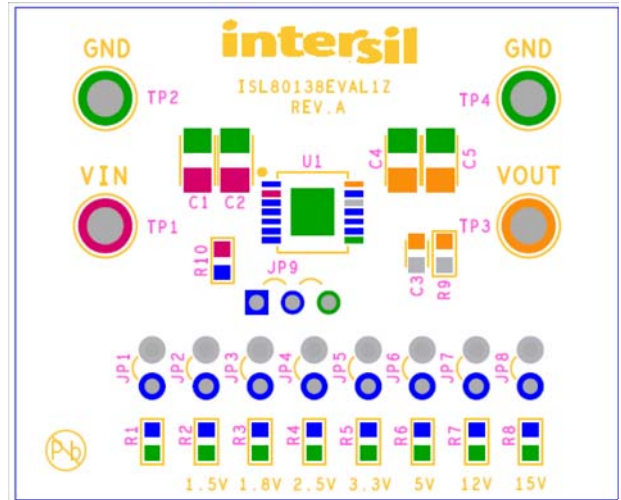


FIGURE 6. ISL80138EVAL1Z SILKSCREEN TOP

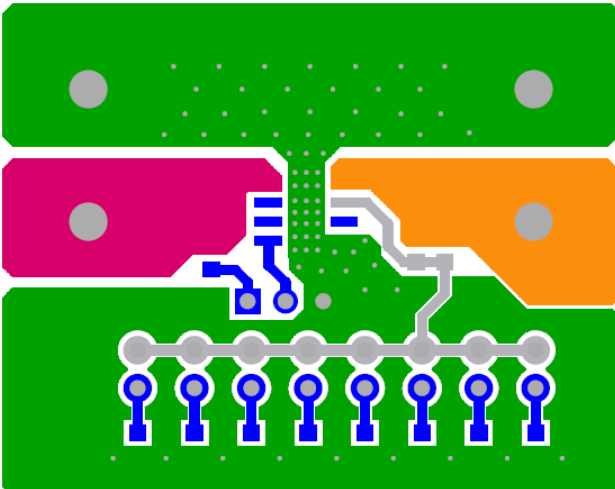


FIGURE 7. ISL80136EVAL1Z TOP

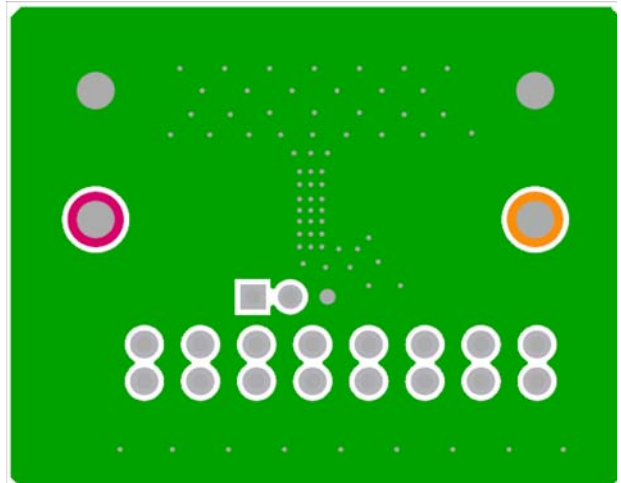


FIGURE 8. ISL80136EVAL1Z BOTTOM

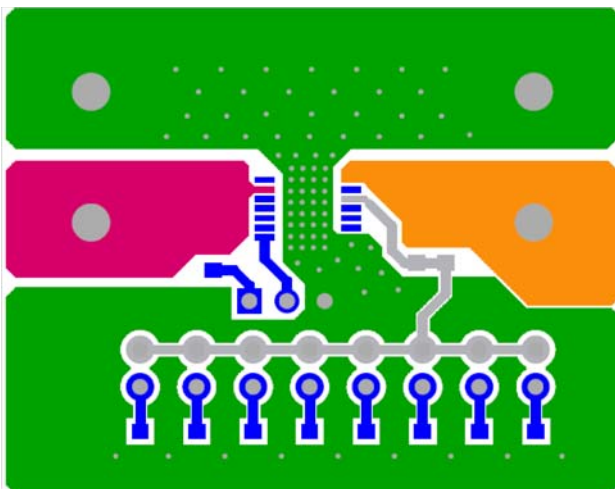


FIGURE 9. ISL80138EVAL1Z TOP

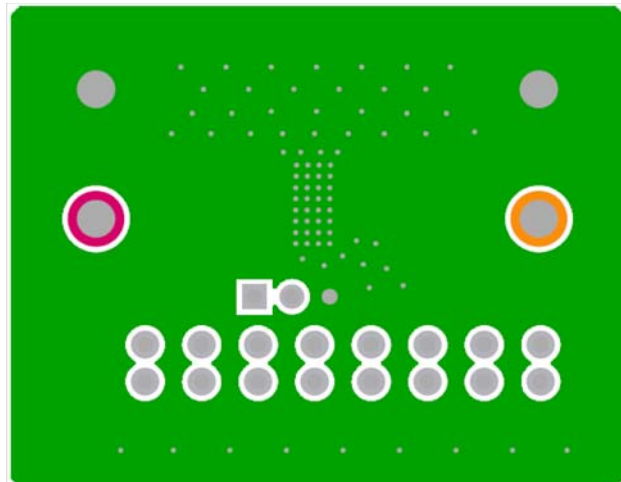


FIGURE 10. ISL80138EVAL1Z BOTTOM

Typical Performance Curves

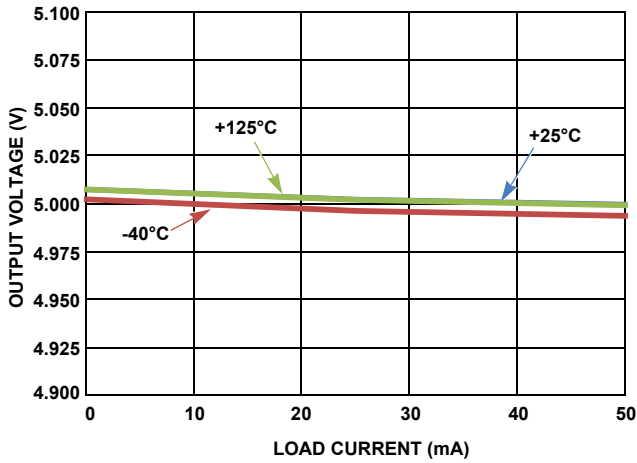


FIGURE 11. ISL80136 OUTPUT VOLTAGE VS LOAD CURRENT

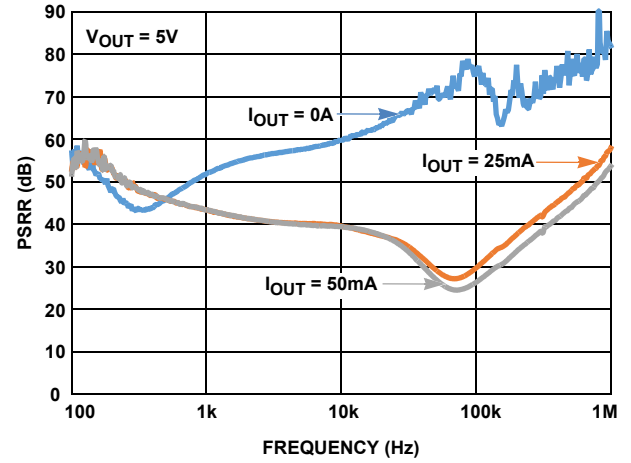


FIGURE 12. ISL80136 PSRR vs FREQUENCY FOR VARIOUS LOAD CURRENT, $V_{OUT} = 5V$

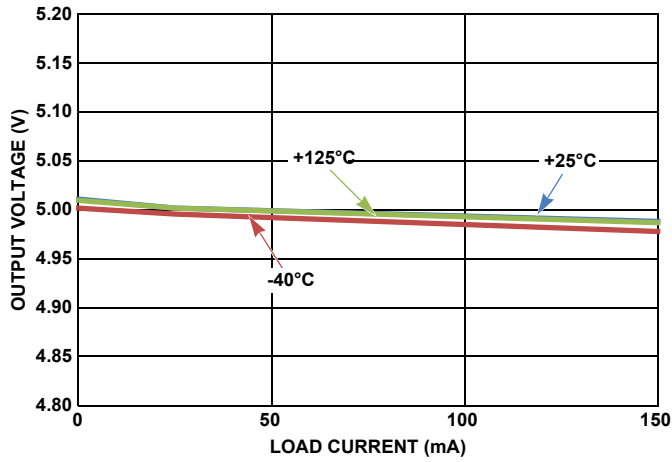


FIGURE 13. ISL80138 OUTPUT VOLTAGE vs LOAD CURRENT

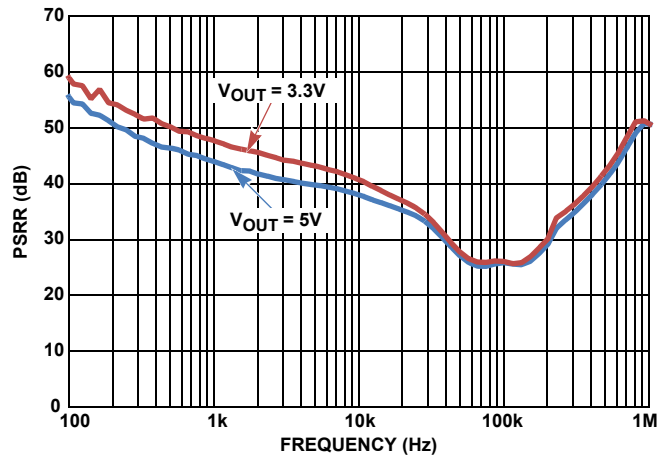


FIGURE 14. ISL80138 PSRR vs FREQUENCY FOR VARIOUS OUTPUT VOLTAGES, (LOAD = 150MA)