

## ISL9238C

Buck-Boost Narrow VDC Battery Charger with SMBus Interface and USB OTG

The [ISL9238C](#) is a buck-boost Narrow Output Voltage DC (NVDC) charger. The ISL9238C provides NVDC charging, system bus regulation, and protection features for tablets, Ultrabooks, notebooks, power banks, and any USB-C interface platform. The advanced Renesas R3™ technology provides high light-load efficiency and fast transient response.

In Charging mode, the ISL9238C accepts input power from a wide range of DC power sources (such as conventional AC/DC charger adapters, USB PD ports, and travel adapters) and safely charges battery packs with up to 4-series cell Li-ion batteries.

As an NVDC topology charger, the ISL9238C also regulates the system output to a narrow DC range for stable system bus voltage. System power can be provided from the adapter, battery, or a combination of both. The ISL9238C can operate with only a battery, only an adapter, or with both connected. For Intel IMVP8 compliant systems, the ISL9238C includes PSYS (system power monitor) functionality, which provides an analog signal representing total platform power. The PSYS output connects to a wide range of Renesas IMVP8 core regulators to provide an IMVP8 compliant power domain function.

The ISL9238C supports reverse buck, boost, or buck-boost operation to the input port from 2- to 4-cell batteries.

The ISL9238C provides SMBus/I<sup>2</sup>C serial communication that allows programming of many critical parameters to deliver a customized solution.

### Features

- Buck-boost NVDC charger for 2-, 3-, or 4-cell Li-ion batteries
- Input voltage range: 3.9V to 23.4V (no dead zone)
- System output voltage: 2.4V to 18.304V
- Autonomous charging option (automatic completion of charging)
- Pass-Through mode in forward direction
- System power monitor PSYS output, IMVP compliant
- Up to 1MHz switching frequency
- Adapter current and battery current monitor (AMON/BMON)
- PROCHOT# open-drain output, IMVP compliant
- Allows trickle charging of depleted battery
- Ideal diode control in Turbo mode
- Reverse buck, boost, and buck-boost operation from battery
- Two-level adapter current limit available
- 100% 2-FET Buck only mode option
- Battery Ship mode option
- SMBus and auto-increment I<sup>2</sup>C compatible
- 4x4 32 Ld TQFN package

### Applications

- 2- to 4-cell tablets, Ultrabooks, notebooks, power banks, and any USB-C interface portable device requiring batteries

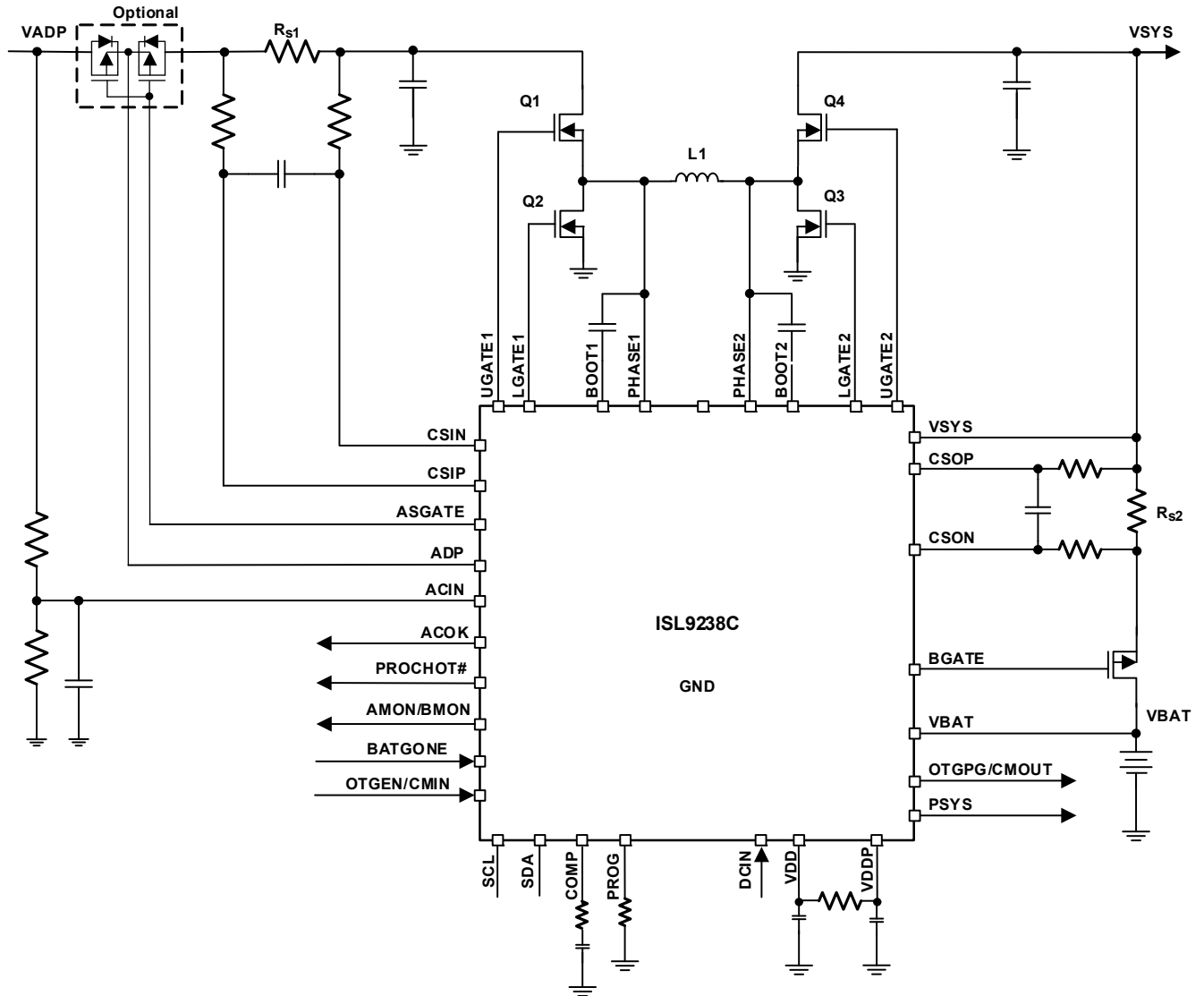


Figure 1. Typical Application Circuit