

ISL95538B

Buck-Boost Narrow VDC Battery Charger for Power Bank Application with SMBus Interface and USB OTG

FN8935
Rev. 5.00
Jan 23, 2019

The [ISL95538B](#) is a buck-boost Narrow Output Voltage DC (NVDC) charger. The ISL95538B provides the NVDC charging function, system bus regulation, and protection features for tablet, Ultrabook, and notebook platforms. The advanced Renesas R3™ Technology provides high light-load efficiency and fast transient response.

In Charging mode, the ISL95538B takes input power from a wide range of DC power sources (such as conventional AC/DC charger adapters, USB PD ports, travel adapters) and safely charges battery packs with up to 4-series cell Li-ion batteries.

As an NVDC topology charger, the ISL95538B also regulates the system output to a narrow DC range for stable system bus voltage. The system power can be provided from the adapter, battery, or a combination of both. The ISL95538B can operate with only a battery, an adapter, or both connected.

The ISL95538B supports reverse buck, boost, or buck-boost operation to the input port from 2- to 4-cell batteries.

The ISL95538B has serial communication using SMBus/I²C that allows programming of many critical parameters to deliver a customized solution.

Related Literature

For a full list of related documents, visit our website:

- [ISL95538B](#) device page

Features

- Buck-boost NVDC charger for 1-, 2-, 3-, or 4-cell Li-ion batteries
- Input voltage range 3.2V to 23.4V (no dead zone)
- System output voltage 3V to 18.304V
- Autonomous charging option (automatic end of charge and recharge)
- Up to 1MHz switching frequency
- Adapter current and battery current monitor (AMON/BMON)
- PROCHOT# open-drain output, IMVP compliant
- Allows trickle charging of depleted batteries
- Ideal diode control in Turbo mode
- Reverse buck, boost, and buck-boost operation from battery
- Two-level adapter current limit available
- Battery Ship mode option
- SMBus and auto-increment I²C compatible
- 4x4 32 Ld TQFN package

Applications

- Mobile devices with rechargeable batteries

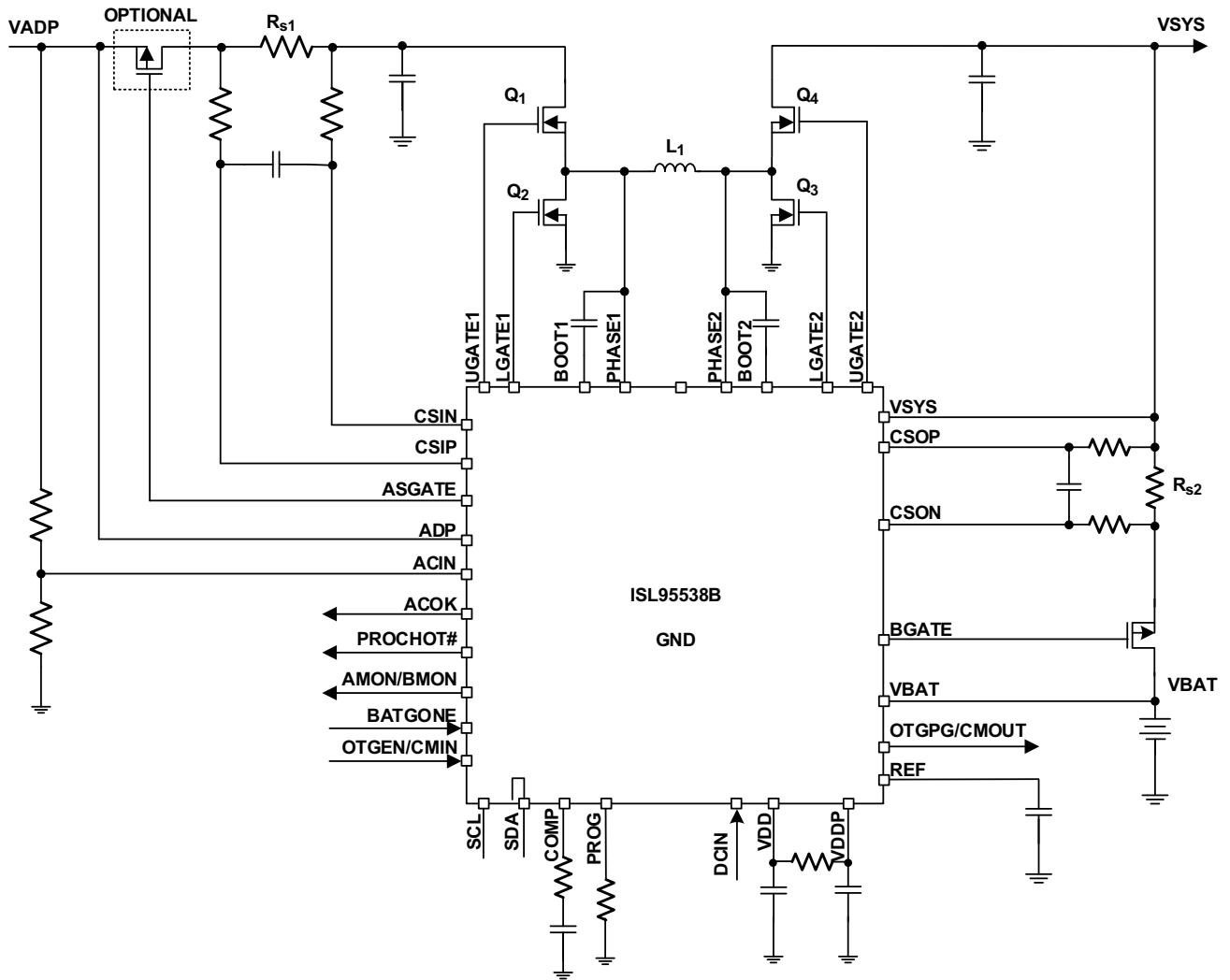


Figure 1. Typical Application Circuit