

  
 Process Control  
 Equipment  
 for Hazardous  
 Locations  
 7M26  
 UL913

## Multiple Channel Isolated Switch

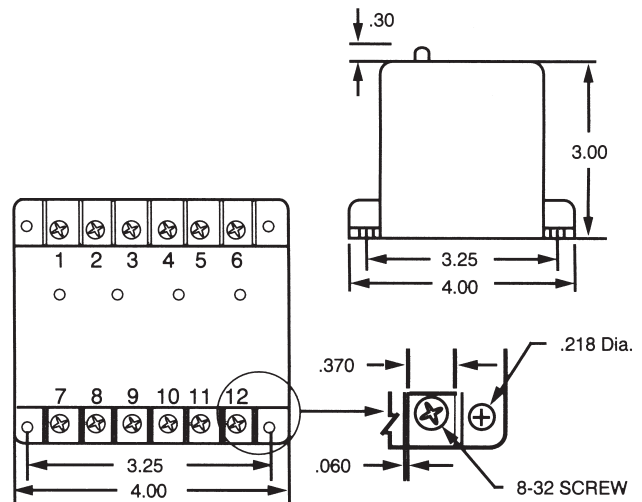
### SPECIFICATIONS

<b>CONTROL VOLTAGE</b>	24 or 120 VAC $\pm 10\%$ , 50/60 Hz	
<b>CONTROL SWITCH</b>	Open Circuit Voltage	6.2 VDC
	Short Circuit Current	10 $\mu$ Amps
<b>RESPONSE TIMES</b>	Operate	6 mSEC (Approx.)
	Release	2.5 mSEC (Approx.)
<b>POWER REQUIRED</b>	2.5 VA	
<b>DUTY CYCLE</b>	Continuous	
<b>CONTACT RATING</b>	SPST-N.O., 5 amps per channel @ 24 or 120 VAC, Resistive; 278 VA, Inductive	
<b>ISOLATION</b>	2500 Volts, Input to Output	
<b>LIFE EXPECTANCY</b>	Mechanical	20 Million Operations
	Electrical	50,000 Operations @ Rated Load
<b>INDICATORS</b>	On When Corresponding Output is On	
<b>TEMPERATURE RATING</b>	Operate	-4° to 131°F (-20° to +55°C)
	Storage	-40° to 185°F (-40° to +85°C)
<b>ENCLOSURE</b>	Style "E" Lexan® Surface Mounted	
<b>TERMINATIONS</b>	(12) #8-32 Screw terminals	
<b>WEIGHT</b>	8 oz.	

### OPERATION

The **ISO/ISL Series multiple channel** devices are used to provide a safe and reliable means of controlling loads from hazardous locations without releasing sufficient energy under normal or abnormal conditions to cause ignition of a flammable or combustible atmospheric mixture while in its most easily ignited concentration. An isolated output turns on when the corresponding control switch input from the hazardous location is activated. When using normally closed control switch inputs, a jumper should be installed between terminals 1 and 2. Normally open control switch inputs do not require the optional jumper. When the **non-latching ISO Series** control switch input is activated, its corresponding output turns on. When the control switch input is deactivated, its output turns off. When the **latching ISL Series** control switch input 2, 3 or 4 is activated, its corresponding output turns on. When control switch 2, 3 or 4 is deactivated, its corresponding output remains latched on as long as control switch input 1 is activated; otherwise it turns off immediately. Control switch input 1 also controls output 1 just as in the non-latching ISO Series.

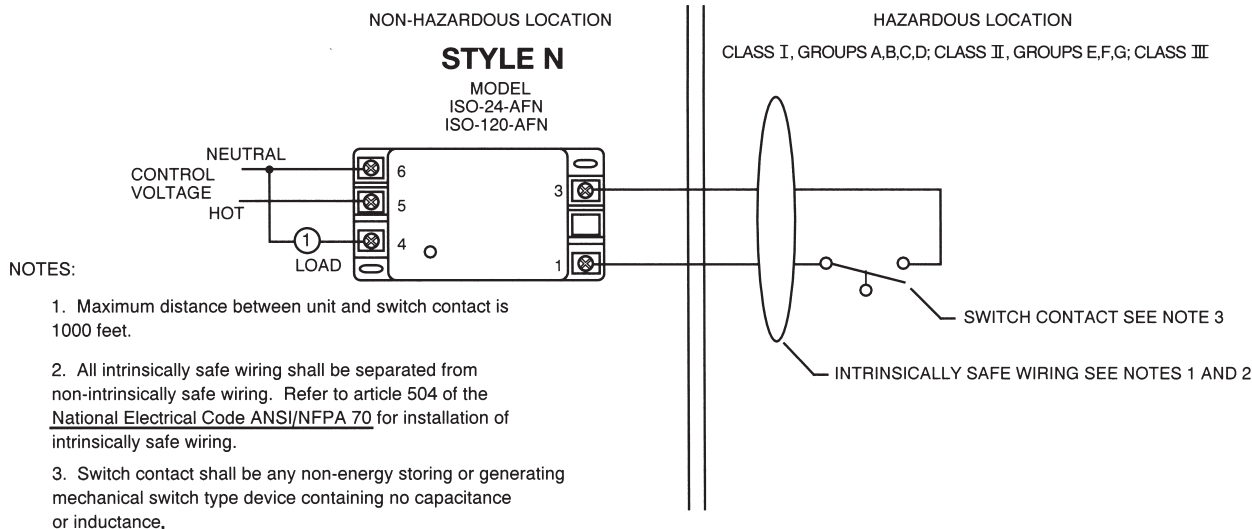
### DIMENSIONS (INCHES)



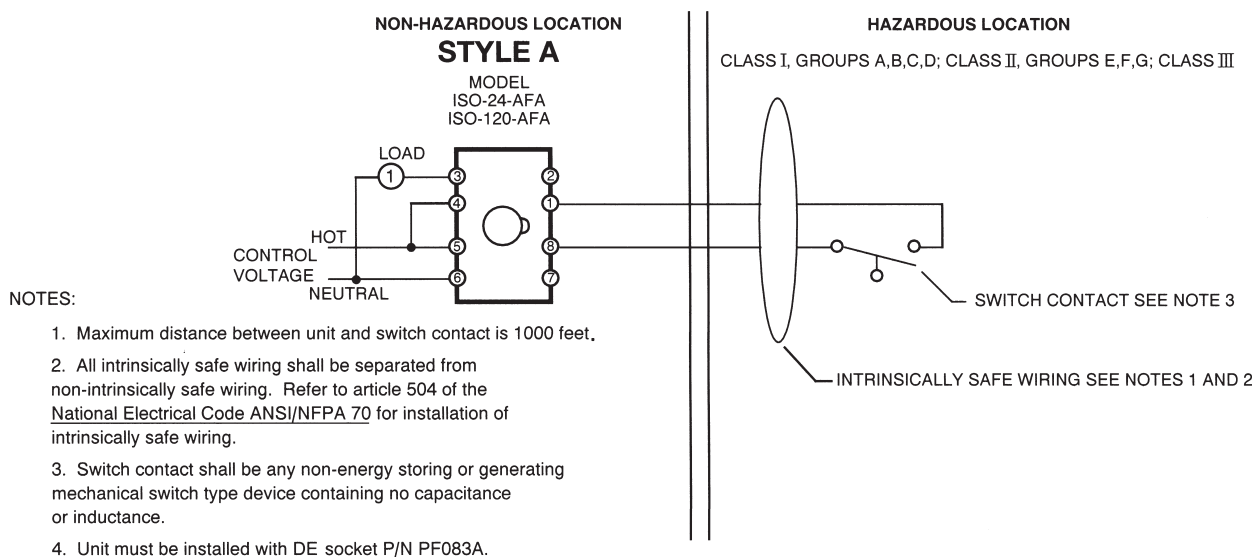
### ORDERING INFORMATION

MODEL NUMBER	CONTROL VOLTAGE	CHANNELS
ISL-24-AAE	24 VAC	2
ISL-24-ABE	24 VAC	3
ISL-24-ACE	24 VAC	4
ISL-120-AAE	120 VAC	2
ISL-120-ABE	120 VAC	3
ISL-120-ACE	120 VAC	4
ISO-24-AAE	24 VAC	2
ISO-24-ABE	24 VAC	3
ISO-24-ACE	24 VAC	4
ISO-120-AAE	120 VAC	2
ISO-120-ABE	120 VAC	3
ISO-120-ACE	120 VAC	4

CONTROL DRAWING 191



CONTROL DRAWING 192



CONTROL DRAWING 193

