

Load Disconnection Function, 0.8A Step-up DC/DC Converters

GENERAL DESCRIPTION

IXD2141/IXD2142 series are synchronous step-up DC/DC converters with a 0.3Ω (TYP.) N-channel driver transistor and a 0.3Ω (TYP.) synchronous P-channel switching transistor built-in. A highly efficient and stable current can be supplied up to 0.8A by reducing ON resistance of the built-in transistors.

The series are able to start operation under the condition which has 0.9V input voltage to generate 3.3V output voltage with a 100Ω load resistor, suitable for mobile equipment using only one Alkaline battery or one Nickel metal hydride battery.

The output voltage can be set from 1.8V to 5.5V (±2.0%) in steps of 0.1V. With the built-in oscillator, either 1.2MHz or 3.0MHz can be selected for suiting to your particular application.

During the devices enter stand-by mode, A, D types prevent the application malfunction by C_L Discharge Function which can quickly discharge the electric charge at the output capacitor (C_L). B, E types is able to drive RTC etc. by Bypass Switch Function to maintain continuity between the input and output. C, F types is able to connect in parallel with other power supplies by Load Disconnection Function which breaks continuity between the input and output.

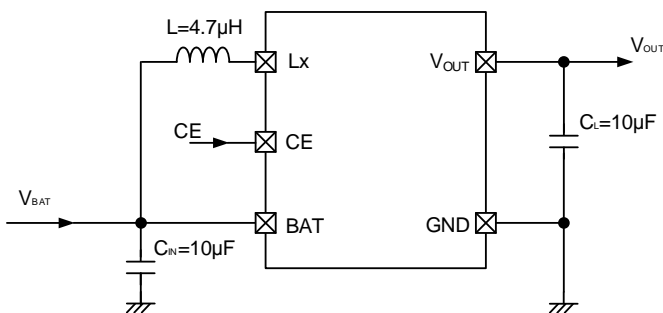
APPLICATIONS

- Portable equipment
- Beauty & health equipment
- Wearable devices
- Game & Hobby
- PC Peripherals
- Devices with 1~3 Alkaline, 1~3 Nickel Hydride, 1 Lithium and 1 Li-ion

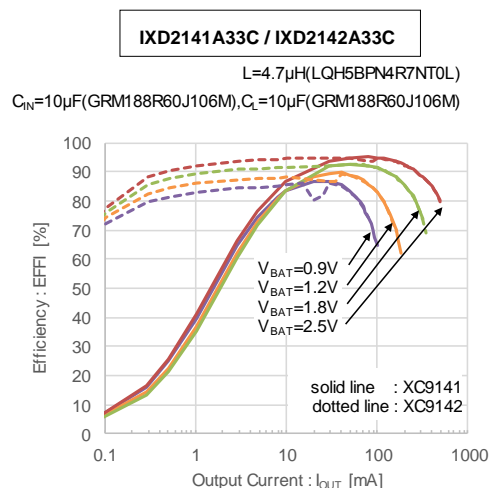
FEATURES

| | |
|-------------------------------|--|
| Input Voltage Range | : 0.65V~6.0V |
| Fixed Output Voltage | : 1.8V~5.5V (0.1V increments) |
| Oscillation Frequency | : 1.2MHz (±15%), 3.0MHz (±20%) |
| Input Current | : 0.8A |
| Output Current | : 500mA @V _{OUT} =5.0V, V _{BAT} =3.3V (TYP.) 350mA @V _{OUT} =3.3V, V _{BAT} =1.8V (TYP.) |
| Control Mode Selection | : PWM (IXD2141 Series) or Auto PWM/PFM (XC9142 Series) |
| Load Transient Response | : 100mV@V _{OUT} =3.3V, V _{BAT} =1.8V, I _{OUT} =1mA→200mA(tr=5μs) |
| Protection Circuits | : Over-current limit Integral latch method (D,E,F type) Output short-circuit protection (D,E,F type) |
| Functions | : Soft-start Load Disconnection Function (A,C,D,F type) C _L Auto Discharge Function (A,D type) Bypass Switch Function (B,E type) |
| Output Capacitor | : Ceramic Capacitor |
| Operating Ambient Temperature | : -40°C~+85°C |
| Package | : SOT-25, USP-6C, WLP-6-01 |
| Environmentally Friendly | : EU RoHS Compliant, Pb Free |

TYPICAL APPLICATION CIRCUIT

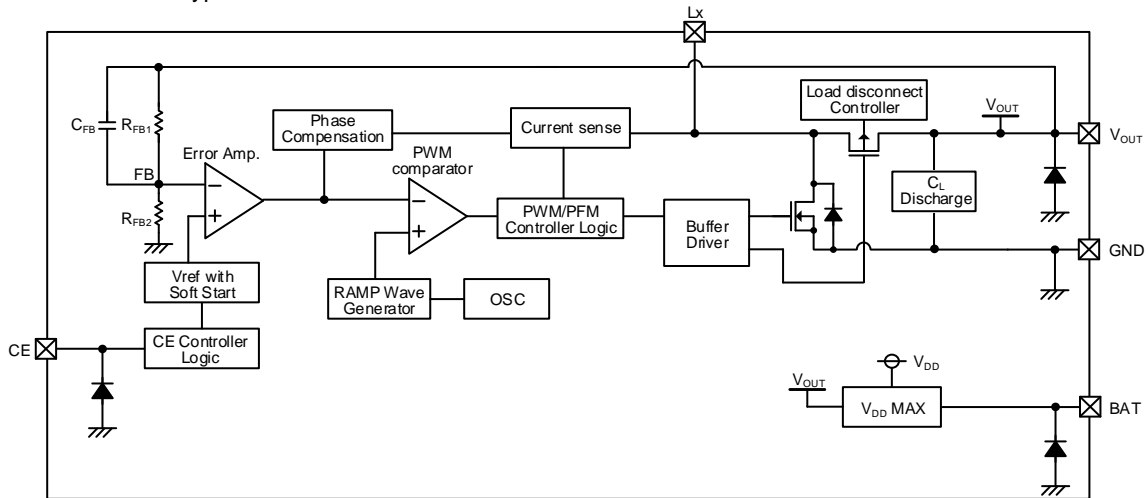


TYPICAL PERFORMANCE CHARACTERISTICS



■ BLOCK DIAGRAM

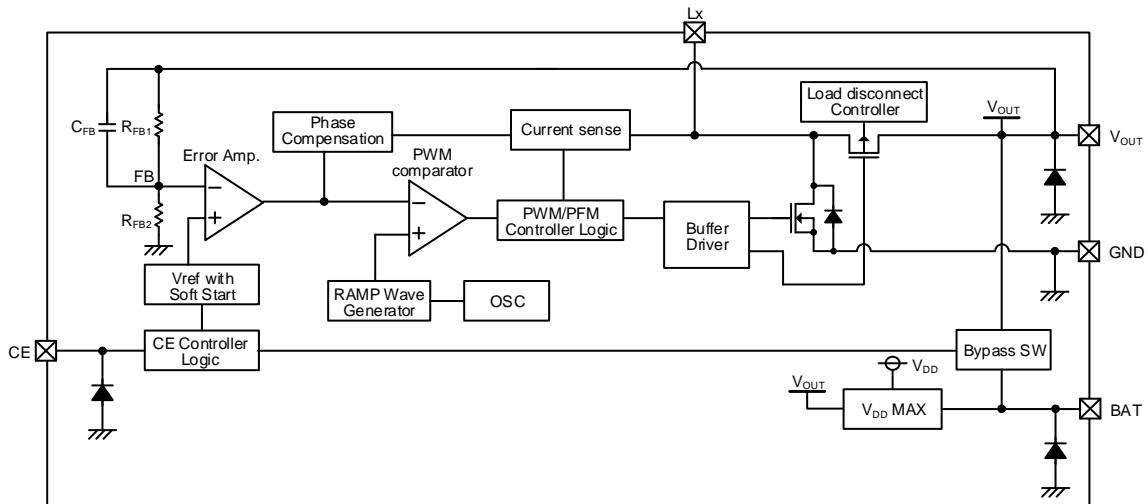
● IXD2141A/IXD2142A type



* Diodes inside the circuits are ESD protection diodes and parasitic diodes.

* IXD2141 series chooses only PWM control.

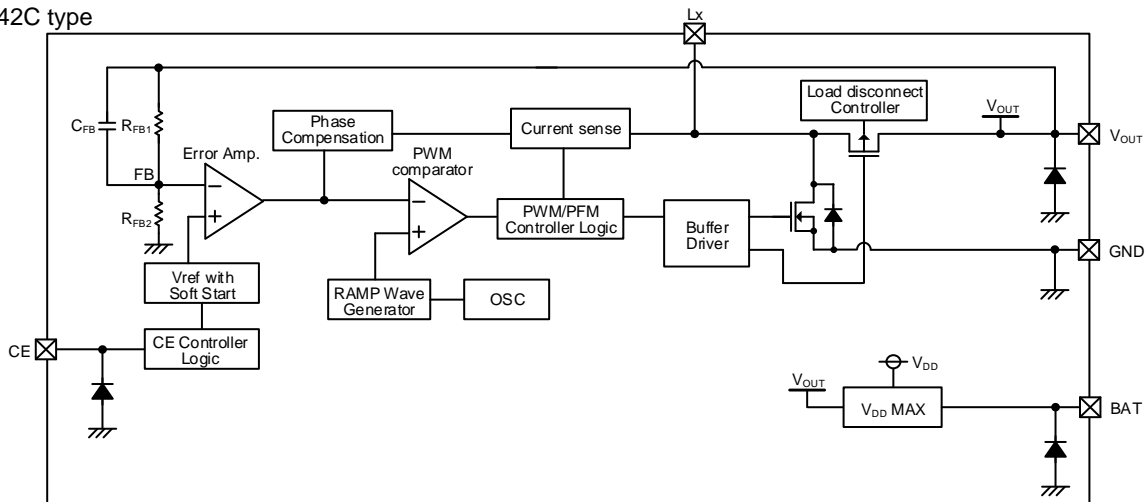
● IXD2141B/IXD2142B type



* Diodes inside the circuits are ESD protection diodes and parasitic diodes.

* IXD2141 series chooses only PWM control.

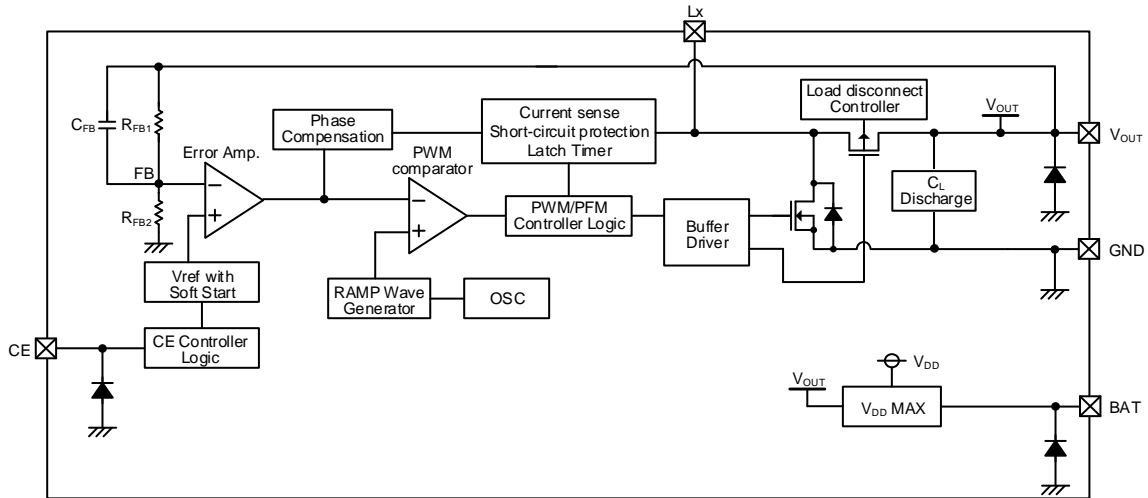
● IXD2142C type



* Diodes inside the circuits are ESD protection diodes and parasitic diodes.

■ BLOCK DIAGRAM (Continued)

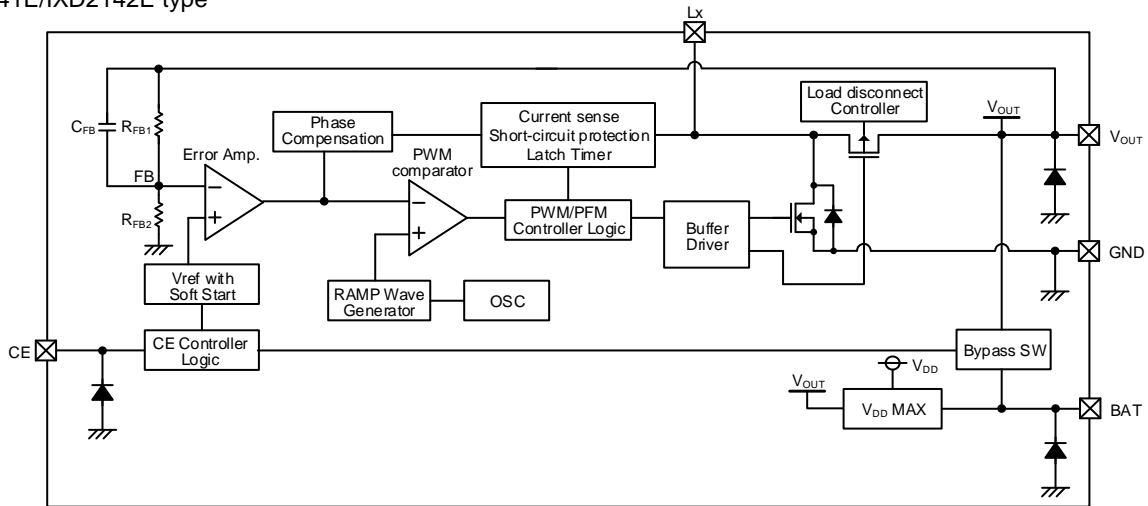
● IXD2141D/XC9142D type



* Diodes inside the circuits are ESD protection diodes and parasitic diodes.

* IXD2141 series chooses only PWM control.

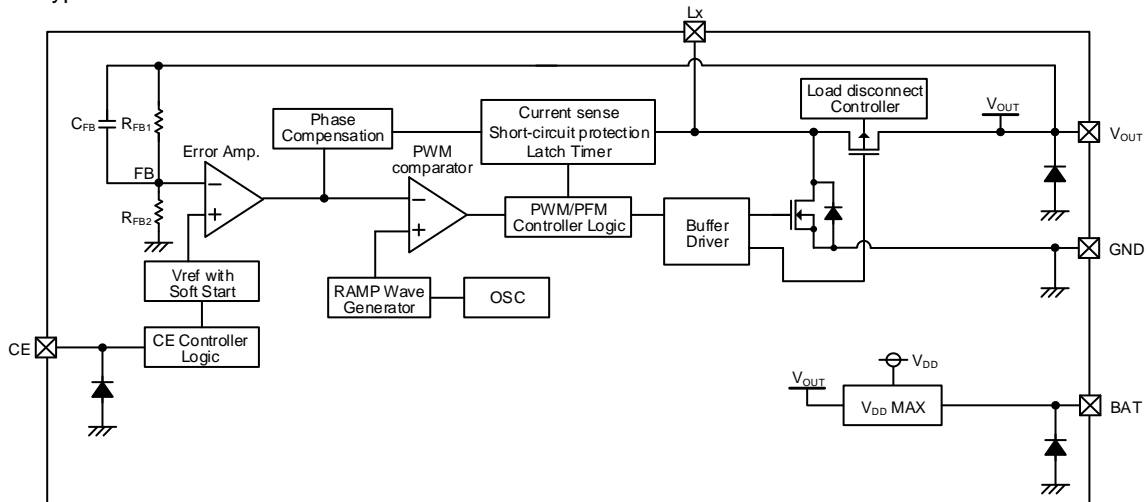
● IXD2141E/IXD2142E type



* Diodes inside the circuits are ESD protection diodes and parasitic diodes.

* IXD2141 series chooses only PWM control.

● IXD2142F type



* Diodes inside the circuits are ESD protection diodes and parasitic diodes

■ PRODUCT CLASSIFICATION

● Ordering Information

IXD2141①②③④⑤⑥-⑦ PWM control

| DESIGNATOR | ITEM | SYMBOL | DESCRIPTION |
|---------------------|----------------------------------|--------|---|
| ① | Type | A | Refer to Selection Guide |
| | | B | |
| | | D | |
| | | E | |
| ②③ | Output Voltage (IXD2141A,B Type) | 18~55 | Output voltage options e.g. 1.8V → ②=1, ③=8 |
| | Output Voltage (IXD2141D,E Type) | 22~55 | Output voltage options e.g. 2.2V → ②=2, ③=2 |
| ④ | Oscillation Frequency | C | 1.2MHz |
| | | D | 3.0MHz |
| ⑤⑥-⑦ ^(*) | Packages (Order Unit) | MR-G | SOT-25 (3,000pcs/Reel) |
| | | ER-G | USP-6C (3,000pcs/Reel) |
| | | 0R-G | WLP-6-01 (5,000pcs/Reel) |

^(*) The "-G" suffix indicates that the products are Halogen and Antimony free as well as being fully EU RoHS compliant.

IXD2142①②③④⑤⑥-⑦ PWM/PFM automatic switching control

| DESIGNATOR | ITEM | SYMBOL | DESCRIPTION |
|---------------------|------------------------------------|--------|---|
| ① | Type | A | Refer to Selection Guide |
| | | B | |
| | | C | |
| | | D | |
| | | E | |
| | | F | |
| ②③ | Output Voltage (IXD2142A,B,C Type) | 18~55 | Output voltage options e.g. 1.8V → ②=1, ③=8 |
| | Output Voltage (IXD2142D,E,F Type) | 22~55 | Output voltage options e.g. 2.2V → ②=2, ③=2 |
| ④ | Oscillation Frequency | C | 1.2MHz |
| | | D | 3.0MHz |
| ⑤⑥-⑦ ^(*) | Packages (Order Unit) | MR-G | SOT-25 (3,000pcs/Reel) |
| | | ER-G | USP-6C (3,000pcs/Reel) |
| | | 0R-G | WLP-6-01 (5,000pcs/Reel) |

^(*) The "-G" suffix indicates that the products are Halogen and Antimony free as well as being fully EU RoHS compliant.

■ PRODUCT CLASSIFICATION (Continued)

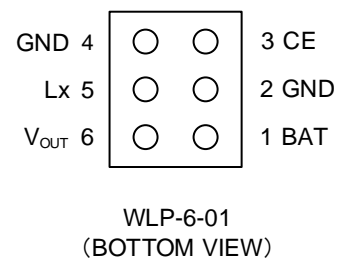
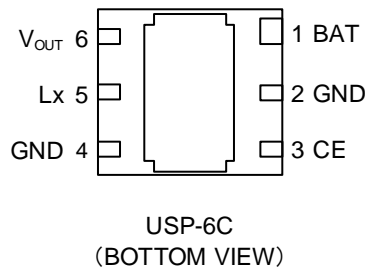
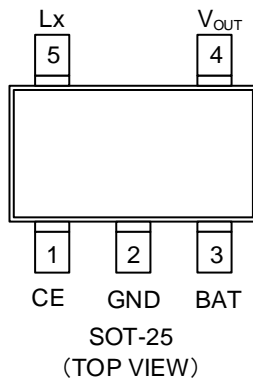
● Selection guides

| TYPE | OUTPUT VOLTAGE | CHIP ENABLE | SOFT-START | CURRENT LIMIT | SHORT PROTECTION WITH LATCH | C.L. AUTO-DISCHARGE | SHUTDOWN OPTIONS AT CE=L |
|------------------|----------------|-------------|------------|------------------------------|-----------------------------|---------------------|---|
| A | Fixed | Yes | Fixed | Yes (without latch) | No | Yes | Complete Output Disconnect ⁽²⁾ |
| B | Fixed | Yes | Fixed | Yes (without latch) | No | No | Input-to-Output Bypass ⁽²⁾ |
| C ⁽¹⁾ | Fixed | Yes | Fixed | Yes (without latch) | No | No | Complete Output Disconnect ⁽³⁾ |
| D | Fixed | Yes | Fixed | Yes (with integral latch) | Yes | Yes | Complete Output Disconnect ⁽²⁾ |
| E | Fixed | Yes | Fixed | Yes (with integral latch) | Yes | No | Input-to-Output Bypass ⁽²⁾ |
| F ⁽¹⁾ | Fixed | Yes | Fixed | Yes (with integral latch) | Yes | No | Complete Output Disconnect ⁽³⁾ |

⁽¹⁾ Type C,F is available for the IXD2142 series only.

⁽²⁾ V_{OUT} pin can not be connected to the different output pin such as another supply (AC adaptor).

⁽³⁾ V_{OUT} pin can be connected to the different output pin such as another supply (AC adaptor).



■ PIN CONFIGURATION

*The dissipation pad for the USP-6C package should be solder-plated in recommended mount pattern and metal masking so as to enhance mounting strength and heat release. If the pad needs to be connected to other pins, it should be connected to the GND (No.2, 4) pin.

■ PIN ASSIGNMENT

| PIN NUMBER | | | PIN NAME | FUNCTIONS |
|------------|--------|----------|------------------|----------------|
| SOT-25 | USP-6C | WLP-6-01 | | |
| 1 | 3 | 3 | CE | Chip Enable |
| 2 | 2 | 2 | GND | Ground |
| 3 | 1 | 1 | BAT | Power Input |
| 4 | 6 | 6 | V _{OUT} | Output Voltage |
| 5 | 5 | 5 | Lx | Switching |
| - | 4 | 4 | GND | Ground |

■ FUNCTION CHART

| PIN NAME | SIGNAL | STATUS |
|----------|--------|----------|
| CE | L | Stand-by |
| | H | Active |

* Do not leave the CE pin open.

■ ABSOLUTE MAXIMUM RATINGS

T_a=25°C

| PARAMETER | SYMBOL | RATINGS | UNITS |
|-------------------------------|------------------|--------------------|-------|
| BAT Pin Voltage | V _{BAT} | -0.3~+7.0 | V |
| Lx Pin Voltage | V _{Lx} | -0.3~+7.0 | V |
| V _{OUT} Pin Voltage | V _{OUT} | -0.3~+7.0 | V |
| CE Pin Voltage | V _{CE} | -0.3~+7.0 | V |
| Power Dissipation | SOT-25 | 600 (PCB mounted) | mW |
| | USP-6C | 1000 (PCB mounted) | |
| | WLP-6-01 | 700 (PCB mounted) | |
| Operating Ambient Temperature | Topr | -40~+85 | °C |
| Storage Temperature | Tstg | -55~+125 | °C |

*GND are standard voltage for all of the voltage.

ELECTRICAL CHARACTERISTICS

●IXD2141/IXD2142 Series

Ta=25°C

| PARAMETER | SYMBOL | CONDITIONS | | MIN. | TYP. | MAX. | UNITS | CIRCUIT |
|---|--------------------|--|--------------------------|-------|---------------------------------|-------|-------|---------|
| Input Voltage | V _{BAT} | | | - | - | 6.0 | V | ① |
| Output Voltage | V _{OUT} | Voltage to start oscillation while V _{OUT} =V _{OUT(T)} ×1.03→V _{OUT(T)} ×0.97 | | <E-1> | <E-2> | <E-3> | V | ⑤ |
| Operation Start Voltage | V _{ST1} | R _L =1kΩ | | - | - | 0.90 | V | ① |
| Operation Hold Voltage | V _{HLD} | R _L =1kΩ | | - | 0.65 | - | V | ① |
| Quiescent Current (IXD2142) | I _q | V _{OUT} =V _{BAT} = V _{OUT(T)} +0.5V | f _{OSC} =1.2MHz | - | 17.0 | 30.0 | μA | ③ |
| | | | f _{OSC} =3.0MHz | - | 26.0 | 40.0 | | |
| Supply Current | I _{DD} | V _{OUT} =V _{BAT} = V _{OUT(T)} -0.2V | f _{OSC} =1.2MHz | - | <E-4> | 1.500 | mA | ③ |
| | | | f _{OSC} =3.0MHz | - | <E-5> | 3.000 | | |
| Oscillation Frequency | f _{OSC} | V _{BAT} = V _{OUT(T)} ×0.5 I _{OUT} =100mA | f _{OSC} =1.2MHz | 1.02 | 1.20 | 1.38 | MHz | ① |
| | | | f _{OSC} =3.0MHz | 2.40 | 3.00 | 3.60 | | |
| Maximum Duty Cycle | D _{MAX} | V _{BAT} =1.2V, V _{OUT} = V _{OUT(T)} -0.2V | f _{OSC} =1.2MHz | 85 | 93 | 98 | % | ⑤ |
| | | | f _{OSC} =3.0MHz | 88 | 93 | 98 | | |
| Minimum Duty Cycle | D _{MIN} | V _{OUT} =V _{BAT} = V _{OUT(T)} +0.5V | | - | - | 0 | % | ⑤ |
| PFM Switching Current | I _{PFM} | V _{BAT} =1.5V, R _L is selected with V _{OUT(T)} , Refer to Table 1. | | - | 165 | 230 | mA | ① |
| Efficiency (IXD2142) | EFFI | V _{BAT} = V _{OUT(T)} ×0.6, R _L is selected with V _{OUT(T)} , Refer to Table 1. | | - | 86 ^(*) | - | % | ① |
| Efficiency | EFFI | V _{BAT} = V _{OUT(T)} ×0.6, I _{OUT} = 100mA | | - | 90 ^(*) | - | | ① |
| Stand-by Current | I _{STB} | V _{BAT} =V _{Lx} =6.0V, V _{CE} =0.0V ^(*) | A,B,D,E Type | - | 0.0 | 1.0 | μA | ⑦ |
| | | | C,F Type | - | 1.0 | 2.4 | | ⑧ |
| Lx SW "Pch" ON Resistance | R _{LXP} | V _{BAT} =V _{Lx} = 6.0V, I _{OUT} =200mA | | - | 0.3 ^(*) | - | Ω | ④ |
| Lx SW "Nch" ON Resistance | R _{LXN} | | | - | 0.3 ^(*) | - | Ω | ① |
| Lx SW"H" Leakage Current | I _{LXLH} | V _{BAT} =6.0V, V _{CE} =0.0V, V _{Lx} =6.0V ^(*) | A,B,D,E Type | - | 0.0 | 1.0 | μA | ⑦ |
| | | | C,F Type | - | 0.0 | 1.0 | | ⑧ |
| Lx SW"L" Leakage Current (IXD2142C/F) | I _{LXLL} | V _{BAT} =0.0V, V _{CE} =0.0V, V _{Lx} =0.0V, V _{OUT} =6.0V | | - | 0.0 | 1.0 | μA | ② |
| Current Limit | I _{LIM} | V _{BAT} = V _{OUT(T)} -0.2V, R _{Lx} =1Ω | | <E-6> | <E-7> | <E-8> | A | ⑥ |
| Integral Latch Time (D,E,F Type) | t _{LAT} | V _{BAT} = V _{OUT(T)} -0.2V, R _{Lx} =1Ω, Time from current limit start to stop Lx oscillation | f _{OSC} =1.2MHz | 45 | 300 | 725 | μs | ⑥ |
| | | | f _{OSC} =3.0MHz | 25 | 100 | 365 | μs | ⑥ |
| Latch Release Voltage (D,E,F Type) | V _{LAT_R} | After the integral latch was operated, R _L is selected with V _{OUT(T)} , Refer to Table 1 V _{BAT} =V _{OUT(T)} -0.2V→0.9V | | 0.9 | 1.2 | 1.5 | V | ① |
| Short-circuit Protection Threshold Voltage (D,E,F Type) | V _{SHORT} | V _{BAT} =V _{OUT(T)} -0.2V, R _L =0Ω | | - | V _{BAT} ^(*) | - | V | ① |

■ ELECTRICAL CHARACTERISTICS (Continued)

| PARAMETER | SYMBOL | CONDITIONS | MIN. | TYP. | MAX. | UNITS | CIRCUIT | |
|--|------------|--|---------------------------|------|------|---------------|---------|---|
| Soft-Start Time | t_{SS} | $V_{BAT} = V_{OUT(T)} \times 0.6$, $V_{OUT} = V_{OUT(T)} \times 0.9$, After "H" is fed to CE, the time by when clocks are generated at Lx pin. | $f_{OSC} = 1.2\text{MHz}$ | 0.6 | 1.0 | 2.5 | ms | ⑤ |
| | | | $f_{OSC} = 3.0\text{MHz}$ | 0.2 | 0.5 | 1.0 | | |
| C_L Discharge Resistance (A Type) | R_{DCHG} | $V_{BAT} = 3.3\text{V}, V_{OUT} = 3.3\text{V}, V_{CE} = 0.0\text{V}$ | 100 | 180 | 400 | Ω | ② | |
| Bypass SW Resistance (B Type) | R_{BSW} | $V_{BAT} = 3.3\text{V}, V_{OUT} = 0.0\text{V}, V_{CE} = 0.0\text{V}$ | 100 | 180 | 400 | Ω | ② | |
| CE "H" Voltage | V_{CEH} | $V_{OUT} = V_{OUT(T)} - 0.15\text{V}$, Applied voltage to V_{CE} , Voltage changes Lx to be generated. | 0.80 | - | 6.00 | V | ⑤ | |
| CE "L" Voltage | V_{CEL} | $V_{OUT} = V_{OUT(T)} - 0.15\text{V}$, Applied voltage to V_{CE} , Voltage changes Lx to "H" level. | GND | - | 0.20 | V | ⑤ | |
| CE "H" Current | I_{CEH} | $V_{BAT} = 6.0\text{V}, V_{OUT} = 6.0\text{V}, V_{Lx} = 6.0\text{V}, V_{CE} = 6.0\text{V}$ | -0.1 | - | 0.1 | μA | ② | |
| CE "L" Current | I_{CEL} | $V_{BAT} = 6.0\text{V}, V_{OUT} = 6.0\text{V}, V_{Lx} = 6.0\text{V}, V_{CE} = 0.0\text{V}$ | -0.1 | - | 0.1 | μA | ② | |

$V_{OUT(T)}$ = Target voltage

Test Conditions: unless otherwise stated, $V_{BAT} = 1.5\text{V}$, $V_{ce} = 3.3\text{V}$, Lx: OPEN, $R_{Lx} = 56\Omega$

(¹) IXD2141A/D, IXD2142A/D, IXD2142C/F type: $V_{OUT} = 0\text{V}$,
IXD2141B/E, IXD2142B/E type: $V_{OUT} = \text{OPEN}$

(²) Design value for the IXD2142C/F type.

(³) Designed value

Table 1. External Components R_L Table

| $V_{OUT(T)}$ | R_L |
|--------------------------------|-----------------|
| UNITS: V | UNITS: Ω |
| $1.8 \leq V_{OUT(T)} < 2.1$ | 150 |
| $2.1 \leq V_{OUT(T)} < 3.1$ | 220 |
| $3.1 \leq V_{OUT(T)} < 4.3$ | 330 |
| $4.3 \leq V_{OUT(T)} \leq 5.5$ | 470 |

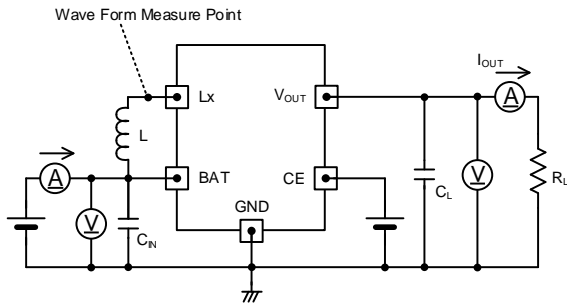
■ ELECTRICAL CHARACTERISTICS (Continued)

Table 2: SPEC Table

| NOMINAL OUTPUT VOLTAGE | V _{OUT} | | | I _{DD} | | I _{LIM} | | |
|------------------------------|------------------|-------|-------|--------------------------|--------------------------|------------------|-------|-------|
| | | | | f _{OSC} =1.2MHz | f _{OSC} =3.0MHz | | | |
| | <E-1> | <E-2> | <E-3> | <E-4> | <E-5> | <E-6> | <E-7> | <E-8> |
| UNITS | V | V | V | mA | mA | A | A | A |
| V _{OUT(T)} | MIN. | TYP. | MAX. | TYP. | TYP. | MIN. | TYP. | MAX. |
| 1.8 | 1.764 | 1.800 | 1.836 | 0.263 | 0.583 | - | 0.96 | 2.30 |
| 1.9 | 1.862 | 1.900 | 1.938 | 0.279 | 0.614 | - | 1.00 | 2.30 |
| 2.0 | 1.960 | 2.000 | 2.040 | 0.296 | 0.644 | - | 1.04 | 2.30 |
| 2.1 | 2.058 | 2.100 | 2.142 | 0.312 | 0.675 | - | 1.07 | 2.30 |
| 2.2 | 2.156 | 2.200 | 2.244 | 0.328 | 0.705 | - | 1.11 | 2.30 |
| 2.3 | 2.254 | 2.300 | 2.346 | 0.344 | 0.736 | - | 1.14 | 2.30 |
| 2.4 | 2.352 | 2.400 | 2.448 | 0.360 | 0.767 | - | 1.17 | 2.30 |
| 2.5 | 2.450 | 2.500 | 2.550 | 0.376 | 0.797 | - | 1.19 | 2.30 |
| 2.6 | 2.548 | 2.600 | 2.652 | 0.393 | 0.828 | - | 1.22 | 2.30 |
| 2.7 | 2.646 | 2.700 | 2.754 | 0.409 | 0.858 | - | 1.24 | 2.30 |
| 2.8 | 2.744 | 2.800 | 2.856 | 0.425 | 0.889 | - | 1.26 | 2.30 |
| 2.9 | 2.842 | 2.900 | 2.958 | 0.441 | 0.919 | - | 1.28 | 2.30 |
| 3.0 | 2.940 | 3.000 | 3.060 | 0.457 | 0.950 | 0.96 | 1.30 | 2.30 |
| 3.1 | 3.038 | 3.100 | 3.162 | 0.474 | 0.981 | 0.97 | 1.30 | 2.30 |
| 3.2 | 3.136 | 3.200 | 3.264 | 0.490 | 1.011 | 0.97 | 1.30 | 2.30 |
| 3.3 | 3.234 | 3.300 | 3.366 | 0.506 | 1.042 | 0.98 | 1.30 | 2.30 |
| 3.4 | 3.332 | 3.400 | 3.468 | 0.522 | 1.072 | 0.98 | 1.30 | 2.30 |
| 3.5 | 3.430 | 3.500 | 3.570 | 0.538 | 1.103 | 0.99 | 1.30 | 2.30 |
| 3.6 | 3.528 | 3.600 | 3.672 | 0.554 | 1.134 | 0.99 | 1.30 | 2.30 |
| 3.7 | 3.626 | 3.700 | 3.774 | 0.571 | 1.164 | 1.00 | 1.30 | 2.30 |
| 3.8 | 3.724 | 3.800 | 3.876 | 0.587 | 1.195 | 1.00 | 1.30 | 2.30 |
| 3.9 | 3.822 | 3.900 | 3.978 | 0.603 | 1.225 | 1.01 | 1.30 | 2.30 |
| 4.0 | 3.920 | 4.000 | 4.080 | 0.619 | 1.256 | 1.01 | 1.30 | 2.30 |
| 4.1 | 4.018 | 4.100 | 4.182 | 0.635 | 1.286 | 1.02 | 1.30 | 2.30 |
| 4.2 | 4.116 | 4.200 | 4.284 | 0.652 | 1.317 | 1.02 | 1.30 | 2.30 |
| 4.3 | 4.214 | 4.300 | 4.386 | 0.668 | 1.348 | 1.03 | 1.30 | 2.30 |
| 4.4 | 4.312 | 4.400 | 4.488 | 0.684 | 1.378 | 1.03 | 1.30 | 2.30 |
| 4.5 | 4.410 | 4.500 | 4.590 | 0.700 | 1.409 | 1.04 | 1.30 | 2.30 |
| 4.6 | 4.508 | 4.600 | 4.692 | 0.716 | 1.439 | 1.04 | 1.30 | 2.30 |
| 4.7 | 4.606 | 4.700 | 4.794 | 0.732 | 1.470 | 1.05 | 1.30 | 2.30 |
| 4.8 | 4.704 | 4.800 | 4.896 | 0.749 | 1.501 | 1.06 | 1.30 | 2.30 |
| 4.9 | 4.802 | 4.900 | 4.998 | 0.765 | 1.531 | 1.06 | 1.30 | 2.30 |
| 5.0 | 4.900 | 5.000 | 5.100 | 0.781 | 1.562 | 1.07 | 1.30 | 2.30 |
| 5.1 | 4.998 | 5.100 | 5.202 | 0.797 | 1.592 | 1.07 | 1.30 | 2.30 |
| 5.2 | 5.096 | 5.200 | 5.304 | 0.813 | 1.623 | 1.08 | 1.30 | 2.30 |
| 5.3 | 5.194 | 5.300 | 5.406 | 0.829 | 1.653 | 1.08 | 1.30 | 2.30 |
| 5.4 | 5.292 | 5.400 | 5.508 | 0.846 | 1.684 | 1.09 | 1.30 | 2.30 |
| 5.5 | 5.390 | 5.500 | 5.610 | 0.862 | 1.715 | 1.09 | 1.30 | 2.30 |

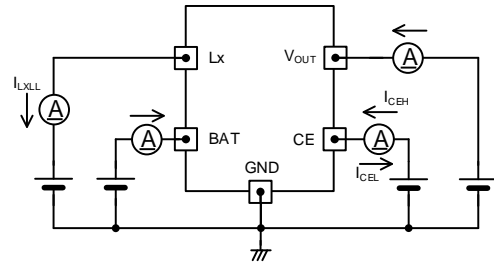
TEST CIRCUITS

< Circuit No.① >

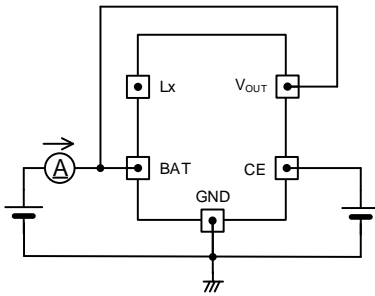


※External Components
 C_N : 10 μ F (ceramic)
 C_L : 10 μ F (ceramic)
 XC914xxxXC ($f_{OSC} = 1.2\text{MHz}$)
 L : 4.7 μ H
 XC914xxxXD ($f_{OSC} = 3.0\text{MHz}$)
 L : 2.2 μ H

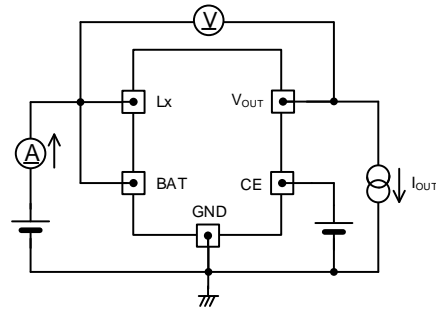
< Circuit No.② >



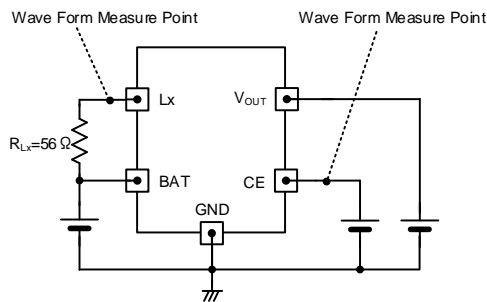
< Circuit No.③ >



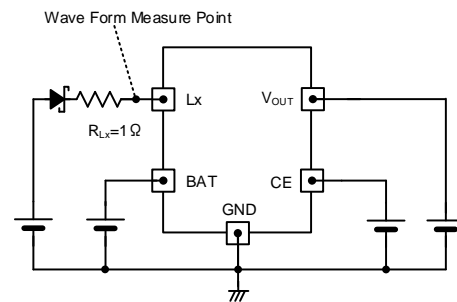
< Circuit No.④ >



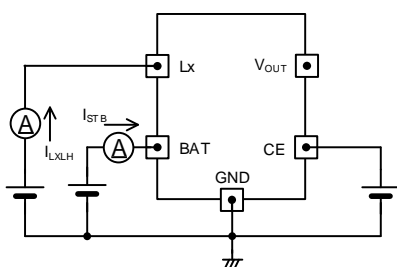
< Circuit No.⑤ >



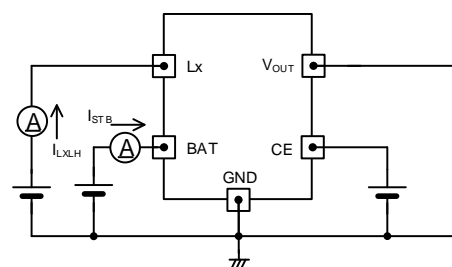
< Circuit No.⑥ >



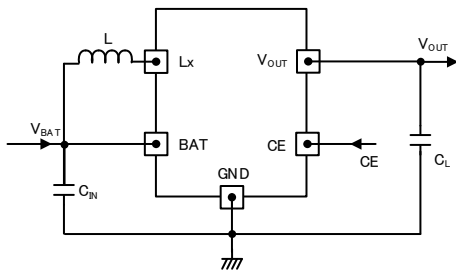
< Circuit No.⑦ >



< Circuit No.⑧ >



TYPICAL APPLICATION CIRCUIT



【Typical Examples】 $f_{OSC}=1.2\text{MHz}$

| | MANUFACTURER | PRODUCT NUMBER | VALUE |
|--------------|--------------|---------------------|-------------------------------------|
| L | murata | LQH5BPN4R7NT0L | 4.7 μH |
| | TDK | LTF5022T-4R7N2R0-LC | 4.7 μH |
| | Coilcraft | XFL4020-472MEC | 4.7 μH |
| $C_L^{(*)1}$ | murata | GRM188R60J106ME84 | 10 $\mu\text{F}/6.3\text{V}^{(*)2}$ |
| | murata | GRM188D71A106MA73 | 10 $\mu\text{F}/10\text{V}^{(*)2}$ |

【Typical Examples】 $f_{OSC}=3.0\text{MHz}$

| | MANUFACTURER | PRODUCT NUMBER | VALUE |
|--------------|--------------|---------------------|-------------------------------------|
| L | TDK | LTF5022T-2R2N3R2-LC | 2.2 μH |
| | Coilcraft | XFL4020-222MEC | 2.2 μH |
| $C_L^{(*)1}$ | murata | GRM188R60J106ME84 | 10 $\mu\text{F}/6.3\text{V}^{(*)2}$ |
| | murata | GRM188D71A106MA73 | 10 $\mu\text{F}/10\text{V}^{(*)2}$ |

【Typical Examples】 $f_{OSC}=1.2\text{MHz}$, $f_{OSC}=3.0\text{MHz}$

| | MANUFACTURER | PRODUCT NUMBER | VALUE |
|-----------------|--------------|-------------------|------------------------------|
| $C_{IN}^{(*)1}$ | murata | GRM188R60J106ME84 | 10 $\mu\text{F}/6.3\text{V}$ |
| | murata | GRM188D71A106MA73 | 10 $\mu\text{F}/10\text{V}$ |

(^{*)1}) Select components appropriate to the usage conditions (ambient temperature, input & output voltage).

While selecting a part, please concern about capacitance reduction and voltage durability.

(^{*)2}) In the case of $f_{OSC}=1.2\text{MHz}$: If $V_{OUT(T)} \geq 3.5\text{V}$ and the load current rises above 200mA, use two or more in a parallel connection.

In the case of $f_{OSC}=3.0\text{MHz}$: If $V_{BAT} \geq 2\text{V}$, $V_{OUT(T)} \geq 3.5\text{V}$ and the load current rises above 200mA, use two or more in a parallel connection.

For the actual load capacitance, use a ceramic capacitor that ensures a capacitance equivalent to or greater than the GRM188R60J106ME84 (Murata).

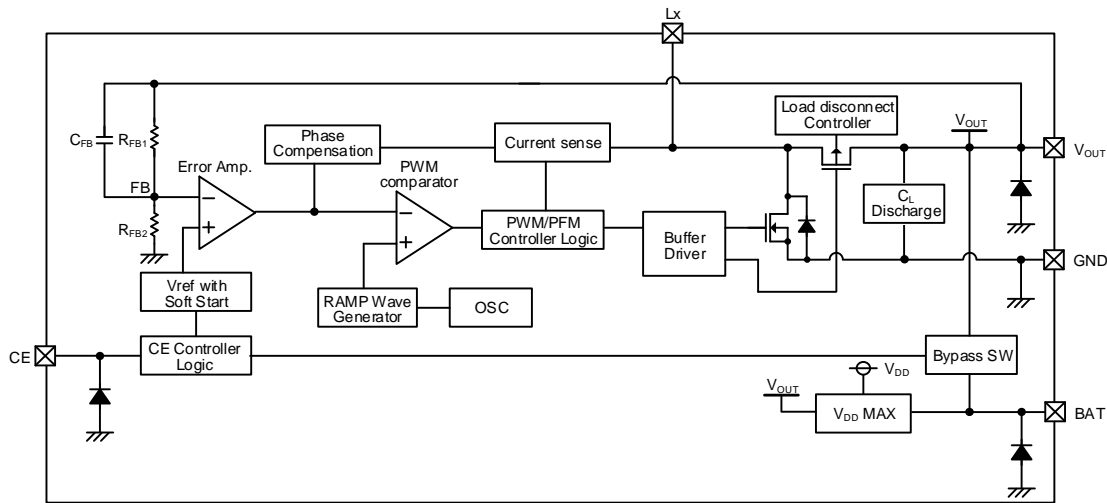
If using tantalum or low ESR electrolytic capacitors please be aware that ripple voltage will be higher due to the larger ESR (Equivalent Series

Resistance) values of those types of capacitors. Please also note that the IC's operation may become unstable with such capacitors so that we recommend to test on the board before usage.

If using electrolytic capacitor for the C_L , please connect a ceramic capacitor in parallel.

OPERATIONAL EXPLANATION

The IXD2141/IXD2142 series consists of a reference voltage source, ramp wave circuit, error amplifier, PWM comparator, phase compensation circuit, N-channel driver transistor, P-channel synchronous rectification switching transistor and current limiter circuit.



BLOCK DIAGRAM

The error amplifier compares the internal reference voltage with the resistors RFB1 and RFB2. Phase compensation is performed on the resulting error amplifier output, to input a signal to the PWM comparator to determine the turn-on time of the N-channel driver transistor during PWM operation. The PWM comparator compares, in terms of voltage level, the signal from the error amplifier with the ramp wave from the ramp wave circuit, and delivers the resulting output to the buffer driver circuit to cause the Lx pin to output a switching duty cycle. This process is continuously performed to ensure stable output voltage. The current feedback circuit monitors the N-channel driver transistor's turn-on current for each switching operation, and modulates the error amplifier output signal to provide multiple feedback signals. This enables a stable feedback loop even when a low ESR capacitor, such as a ceramic capacitor, is used, ensuring stable output voltage.

<Reference voltage source, soft start function>

The reference voltage forms a reference that is used to stabilize the output voltage of the IC.

After "H" level is fed to CE pin, the reference voltage connected to the error amp increases linearly during the soft start interval. This allows the voltage divided by the internal RFB1 and RFB2 resistors and the reference voltage to be controlled in a balanced manner, and the output voltage rises in proportion to the rise in the reference voltage. This operation prevents rush input current and enables the output voltage to rise smoothly.

<Ramp Wave Circuit>

The ramp wave circuit determines switching frequency. The frequency is fixed internally at 1.2MHz/3.0MHz. The Clock generated is used to produce ramp waveforms needed for PWM operation, and to synchronize all the internal circuits.

<Error Amplifier>

The error amplifier is designed to monitor output voltage. The amplifier compares the reference voltage with the feedback voltage divided by the internal resistors (RFB1 and RFB2). When the FB is lower than the reference voltage, output voltage of the error amplifier increases. The gain and frequency characteristics of the error amplifier are optimized internally.

<V_{DDMAX}>

V_{DD MAX} circuit compares the input voltage and the output voltage then it will select the higher one as the power supply for the IC.

<Shutdown function, load disconnection function>

The IC enters chip disable state by applying low level voltage to the CE pin. At this time, the N-channel and P-channel synchronous switching transistors are turned OFF. With XC9142C type, the load disconnection function activates even during shutdown, and because the input voltage V_{BAT} and output voltage V_{OUT} are compared to optimally control the orientation of the parasitic diode of the P-channel synchronous switching transistor, a parallel connection with other power supplies is possible. With the XC9141 series and XC9142A/B types, the orientation of the parasitic diode of the P-channel synchronous switching transistor is fixed at anode: V_{OUT} and cathode: Lx during shutdown to break conduction from the input side to the output side by the parasitic diode of the P-channel synchronous switching transistor.

<PWM/PFM control circuit>

When PFM operates, the N-channel driver transistor turns on at the timing of the signal sent from the PWM comparator. The N-channel driver transistor remains on until the current in the coil reaches a constant current (I_{PFM}). The PWM/PFM control circuit compares the signal sent from the PWM comparator to the time it takes the current in the coil to reach a constant current (I_{PFM}), and outputs the pulse that results in a longer on-time of the N-channel driver transistor. This enables smooth switching between PWM and PFM. The XC9141 series directly outputs the signal that is sent from the PWM comparator.

OPERATIONAL EXPLANATION (Continued)

<Maximum current limit function, short-circuit protection>

The maximum current limit function of IXD2141A/B types and IXD2142A/B/C types constantly monitors the current flowing in the N-channel driver transistor connected to the Lx pin, and if the current in the N-channel driver transistor exceeds the current limit, the function turns off the N-channel driver transistor. (Please refer to Fig. I_{LIM}(1))

- ① If the current flowing in the N-channel driver transistor exceeds the current limit value (equivalent to the peak coil current), the N-channel driver transistor turns off, and remains off during the clock interval.
 - ② At the next clock, the N-channel driver transistor turns on.
- If overcurrent continues, ① and ② are repeated.

Note that the current in the internal N-channel driver transistor is not the same as the output current I_{OUT}.

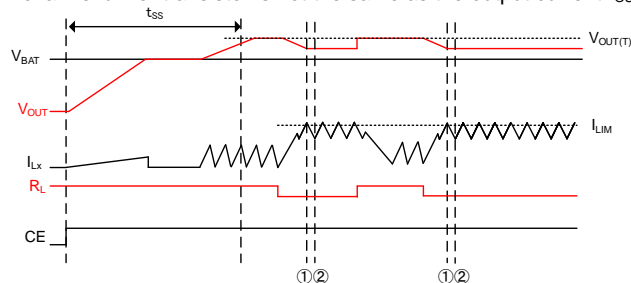


Fig. I_{LIM}

The maximum current limit function of IXD2141D/E and IXD2142D/E/F types monitors the current that flows in the N-channel driver transistor connected to the Lx pin, and consists of both maximum current limiting and a latch function. (Please refer to Fig. I_{LIM}(2))

Short-circuit protection is a latch-stop function that activates when the output voltage drops below the short-circuit protection threshold voltage in the overcurrent state. (Please refer to Fig. I_{LIM}(3))

- ① If the current flowing in the N-channel driver transistor exceeds the current limit value (equivalent to the peak coil current), the N-channel driver transistor turns off, and remains off during the clock interval. In addition, an integral latch timer starts the count.
- ② The N-channel driver transistor turns on at the next pulse. If in the overcurrent state at this time, the N-channel driver transistor turns off as in (1). The integral latch timer continues the count.
- ③ If the count of the integral latch timer continues for 300μs typ. (@fosc=1.2MHz), a function that latches the N-channel driver transistor and P-channel synchronous switching transistor to the off state activates.
- ④ If no longer in the overcurrent state at the next pulse, normal operation resumes. The integral latch timer stops the count.

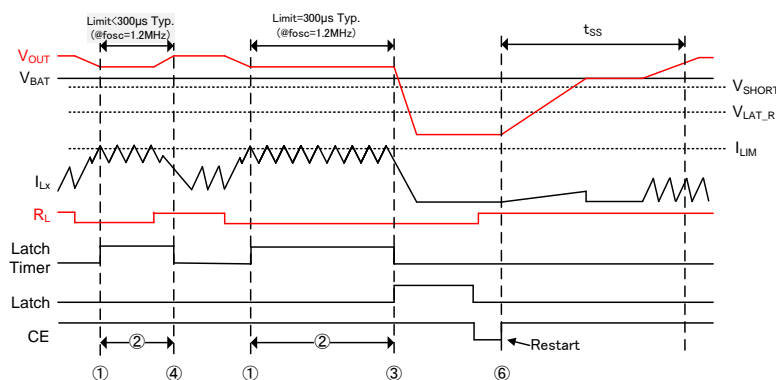


Fig. I_{LIM}(2)

- ⑤ If the output voltage V_{OUT} drops below the short-circuit protection threshold voltage V_{SHORT} during the count of the integral latch timer, a function that latches the N-channel driver transistor and P-channel synchronous switching transistor in the off state activates. The short-circuit protection threshold voltage V_{SHORT} is a threshold voltage that is linked to the input voltage V_{BAT}.
- ⑥ In the latched state, either restart by shutting down once with the CE pin, or resume operation by lowering the input voltage V_{BAT} below the latch release voltage V_{LAT,R}(1.2V typ.). The soft start function operates during restart. During the soft-start interval t_{SS}, the integral latch timer and latch function are stopped.
- ⑦ When the input voltage V_{BAT} is below the latch release voltage V_{LAT,R}(1.2V typ.), the integral latch timer and latch function stop, but the current limiting function continues operating.

* Note that the current in the internal N-channel driver transistor is not the same as the output current I_{OUT}.

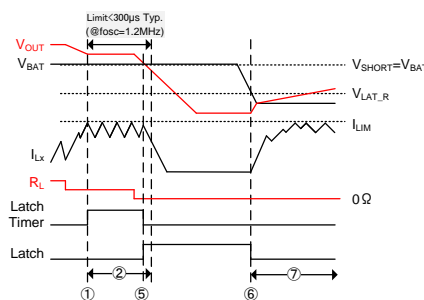


Fig. I_{LIM}(3)

■ OPERATIONAL EXPLANATION (Continued)

<C_L Discharge>

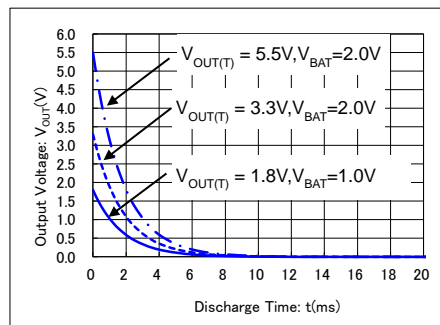
The IXD2141A/D type and IXD2142A/D type can discharge the electric charge at the output capacitor (C_L) when a low signal to the CE pin which enables a whole IC circuit put into OFF state, is inputted via the N-channel transistor located between the V_{OUT} pin and the GND pin. When the IC is disabled, electric charge at the output capacitor (C_L) is quickly discharged so that it may avoid application malfunction. Discharge time of the output capacitor (C_L) is set by the C_L auto-discharge resistance (R) and the output capacitor (C_L). By setting time constant of a C_L auto-discharge resistance value [R_{DCHG}] and an output capacitor value (C_L) as τ ($\tau = C_L \times R_{DCHG}$), discharge time of the output voltage after discharge via the N channel transistor is calculated by the following formulas. However, the C_L discharge resistance [R_{DCHG}] is depends on the V_{BAT} or V_{OUT}. We recommend that you fully check actual performance.

$$V = V_{OUT} \times e^{-t/\tau} \quad \text{or} \quad t = \tau \times \ln(V_{OUT}/V)$$

- V : Output voltage after discharge
- V_{OUT(T)} : Target voltage
- t : Discharge time
- τ : C_L × R_{DCHG}
- C_L : Capacitance of Output capacitor (C_L)
- R_{DCHG} : C_L Discharge resistance, it depends on supply voltage

Output Voltage Discharge characteristics

$$R_{DCHG} = 180\Omega(\text{TYP}) \quad C_L = 10\mu\text{F}$$



<Bypass switch>

At shutdown, IXD2141B/E type and IXD2142B/E type conduct between the BAT pin and V_{OUT} pin by means of a bypass switch. If the output is shorted to ground, the current is limited by the resistance (R_{BSW}) of the bypass switch.

NOTE ON USE

- 1) For the phenomenon of temporal and transitional voltage decrease or voltage increase, the IC may be damaged or deteriorated if IC is used beyond the absolute maximum ratings.
- 2) Spike noise and ripple voltage arise in a switching regulator as with a DC/DC converter. These are greatly influenced by external component selection, such as the coil inductance, capacitance values, and board layout of external components. Once the design has been completed, verification with actual components should be done.
- 3) The DC/DC converter performance is greatly influenced by not only the ICs' characteristics, but also by those of the external components. Care must be taken when selecting the external components. Especially for C_L load capacitor, it is recommended to use type B capacitors (JIS regulation) or X7R, X5R capacitors (EIA regulation).
- 4) Use a ground wire of sufficient strength. Ground potential fluctuation caused by the ground current during switching could cause the IC operation to become unstable, so reinforce the area around the GND pin of the IC in particular.
- 5) Please mount each external component as close to the IC as possible. Also, please make traces thick and short to reduce the circuit impedance.
- 6) With regard to the current limiting value (I_{LIM}), the actual coil current may at times exceed the electrical characteristics due to propagation delay inside the product.
- 7) The CE pin is a CMOS input pin. Do not use with the pin open. If connecting to the BAT pin or ground pin, use the resistor which is 1M Ω or less. To prevent malfunctioning of the device connected to this product or the input/output due to short circuiting between pins, it is recommended that a resistor be connected.
- 8) In case of connecting to another power supply as shown in below circuit diagram, please use the IXD2142C/F type. Connecting another external power supply to the output of any other type may destroy the IC.
- 9) The maximum current limiter controls the limit of the N-channel driver transistor by monitoring current flow. This function does not limit the current flow of the P-channel synchronous transistor. When used with the condition $V_{BAT} > V_{OUT}$ (input voltage higher than the output voltage), the IC may be destroyed if overcurrent flows to the P-channel synchronous switching transistor due to short-circuiting of the load or other reason.
- 10) When the device is used in high step-up ratio, the current limit function may not work during excessive load current. In this case, the maximum duty cycle limits maximum current. In this event, latching may not take place on IXD2141D/E types and IXD2142D/E/F types ("latch types" below) because the maximum current limit cannot be detected.
- 11) On latch types, some board conditions may cause release from the maximum current limit, and the integrated latch time may become longer or latching may not take place.
- 12) If the status heavy load and large output capacitor is connected or the input voltage is low, the output voltage may overshoot, on IXD2141A/B types and IXD2142A/B/C types ("non-latch types" below). On a latch type, the maximum current limit may be detected, and this will cause the latch function to activate and stop operation after the soft start time elapses. In particular, note that the soft start time becomes shorter when the IC is used at high temperatures.
- 13) When the step-up voltage difference is small, the IXD2141 series for PWM control may oscillate intermittently.
- 14) When the voltage boost difference is small, the current limiting function may not operate if the on time of the N-channel driver transistor is shorter than the propagation delay time of the current limit circuit. In this case, latching may not take place on a latch type because the maximum current limit is not detected.
- 15) When an IXD2142C/F type is used with $V_{BAT} > V_{OUT(T)}$ (input voltage higher than the set output voltage), the P-channel synchronous switching transistor turns off but current flows to the parasitic diode. This causes excessive heat generation in the IC. Test using the actual equipment and note the power dissipation and heat dissipation of the package. During voltage boosting with a voltage drop due to V_F of the parasitic diode, the output voltage may become unstable. On the IXD2141 series and IXD2142A/B/D/E types, the P-channel synchronous switching transistor turns on and the output voltage becomes equal to the input voltage. In environments where $V_{BAT} > V_{OUT(T)}$, the IXD2141 series and IXD2142A/B/D/E types are recommended.
- 16) When input voltage and output voltage are low, integral latch function and short-circuit protection may not operate. We recommend that you fully check actual performance.
- 17) Zilog places an importance on improving our products and its reliability. However, by any possibility, we would request user fail-safe design and post-aging treatment on system or equipment.

NOTE ON USE (Continued)

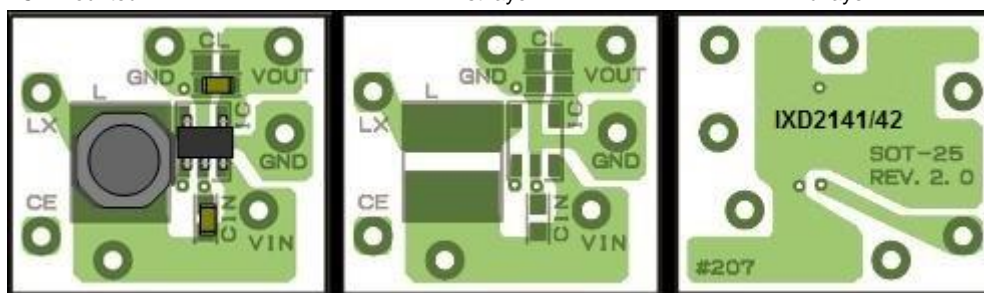
Instructions for pattern layouts

1. In order to stabilize V_{BAT} voltage level, we recommend that a by-pass capacitor C_{IN} is connected as close as possible to the BAT and GND pins.
2. Please mount each external component as close to the IC as possible.
3. Place external components as close to the IC as possible and use thick and short traces to reduce the circuit impedance.
4. Make sure that the PCB GND traces are thick and wide as possible. GND voltage level fluctuation created by high ground current at the time of switching may cause instability of the IC.
5. The internal driver transistors bring on heat because of the I_{IN} current and ON resistance of the driver transistors.

<Example of pattern layout>

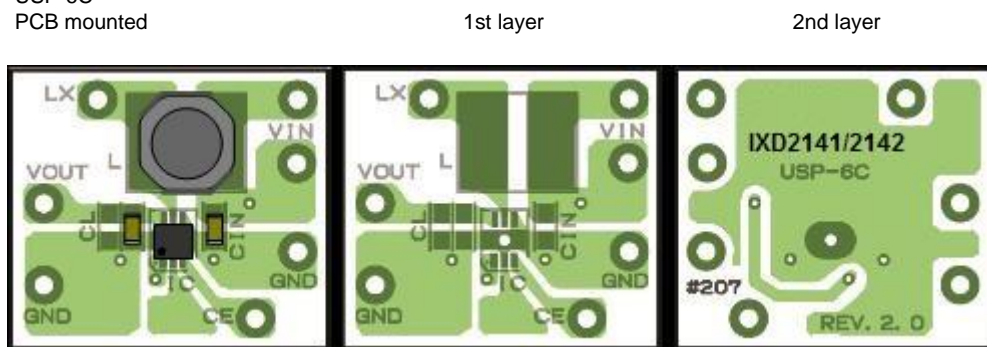
SOT-25

PCB mounted



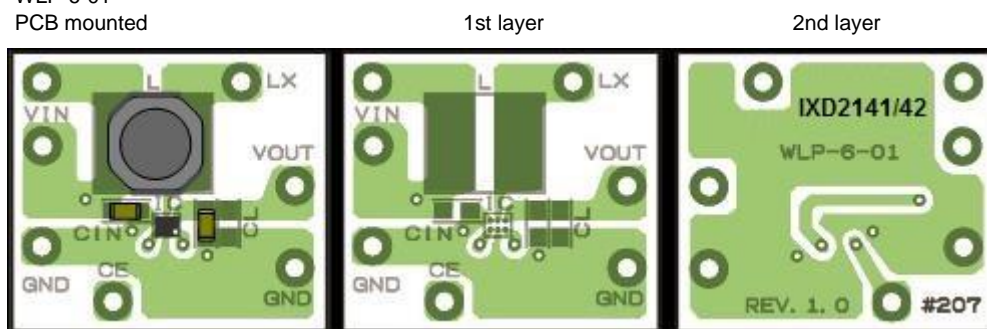
USP-6C

PCB mounted



WLP-6-01

PCB mounted

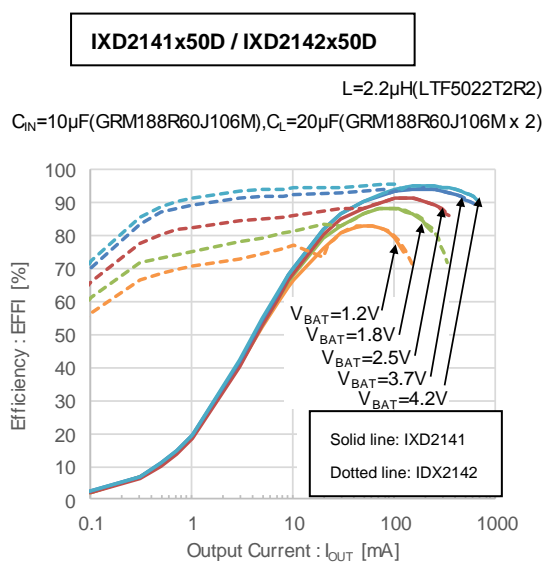
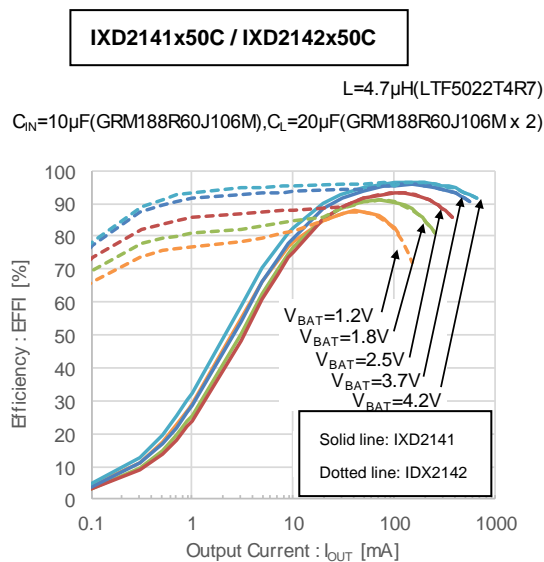
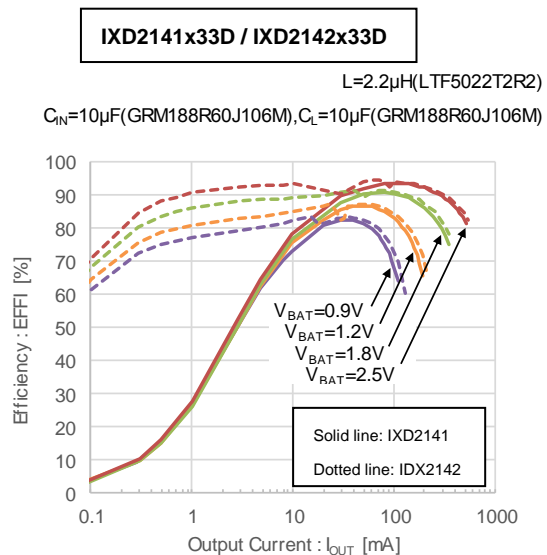
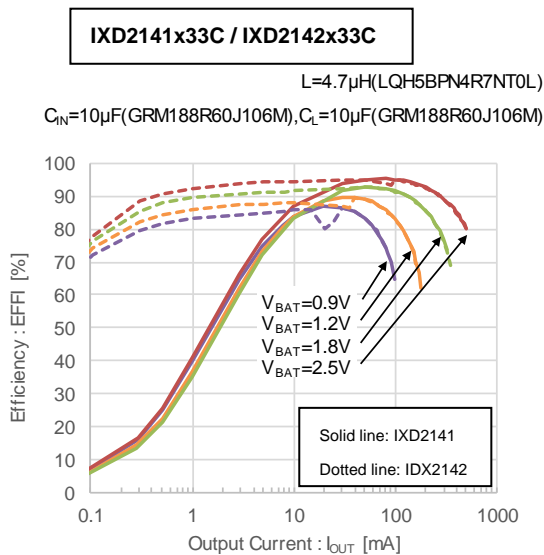
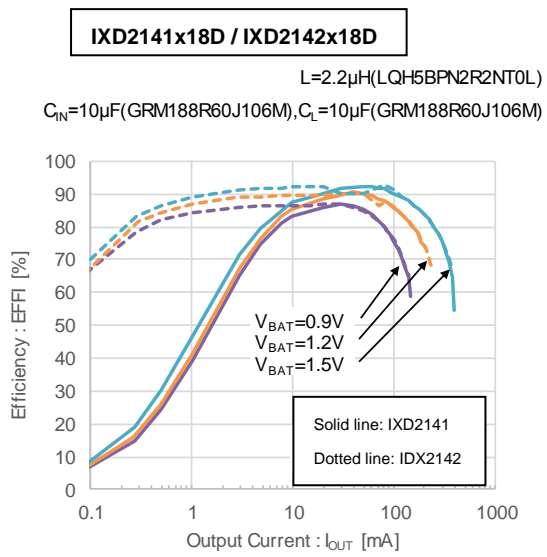
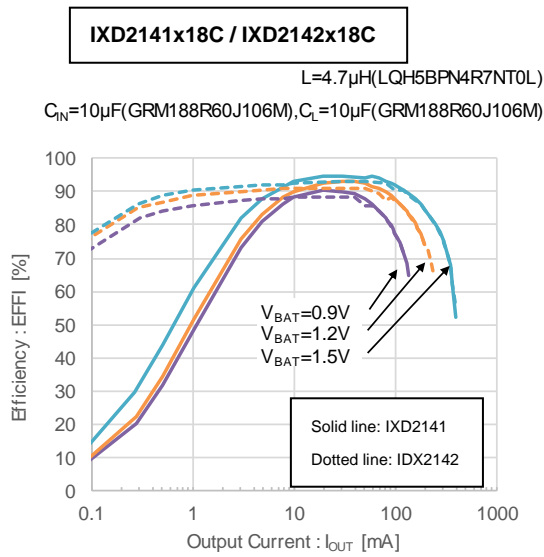


6. Note on mounting (WLP-6-01)

- 6-1. Mount pad design should be optimized for user's conditions.
- 6-2. Sn-AG-Cu is used for the package terminals. If eutectic solder is used, mounting reliability is decreased. Please do not use eutectic solder paste.
- 6-3. When underfill agent is used to increase interfacial bonding strength, please take enough evaluation for selection. Some underfill materials and applied conditions may decrease bonding reliability.
- 6-4. The IC has exposed surface of silicon material in the top marking face and sides so that it is weak against mechanical damages. Please take care of handling to avoid cracks and breaks.
- 6-5. The IC has exposed surface of silicon material in the top marking face and sides. Please use the IC with keeping the circuit open (avoiding short-circuit from the out).
- 6-6. Semi-transparent resin is coated on the circuit face of the package. Please be noted that the usage under strong lights may affects device performance.

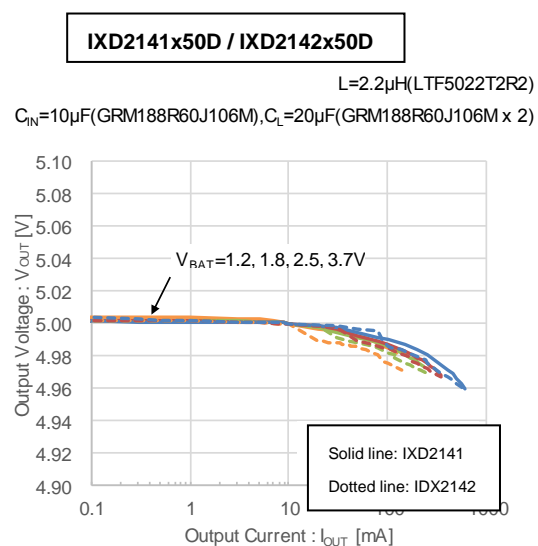
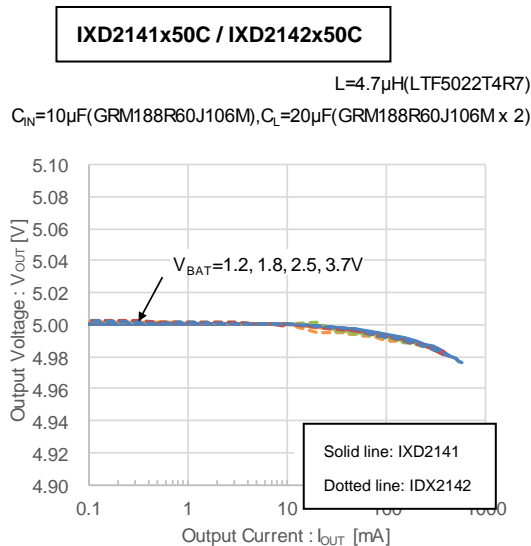
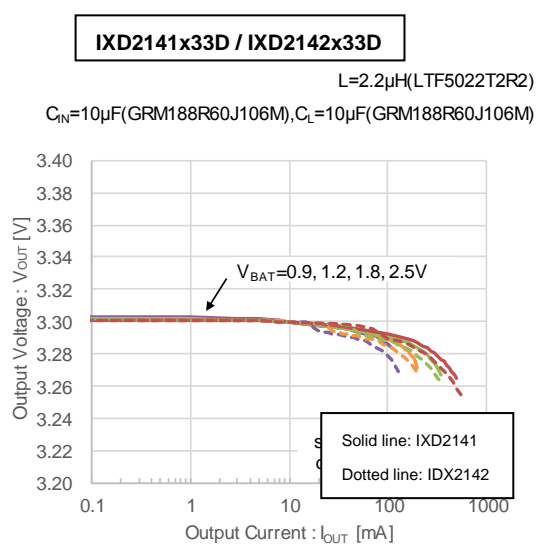
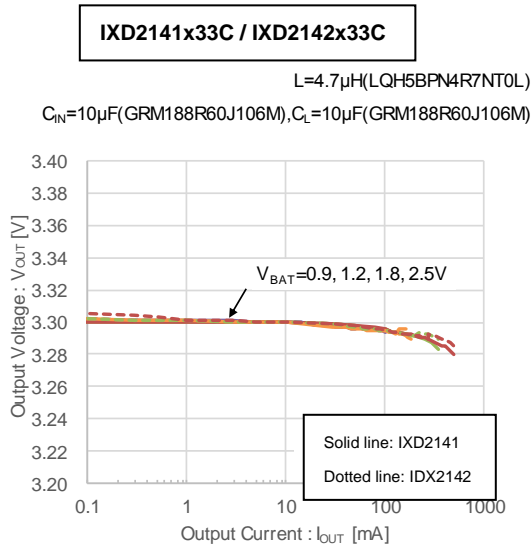
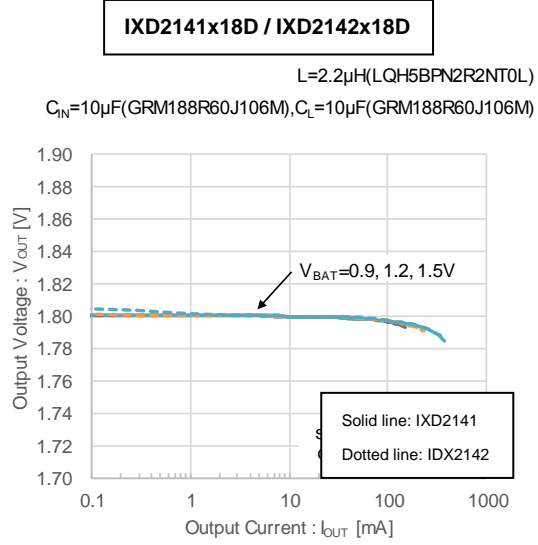
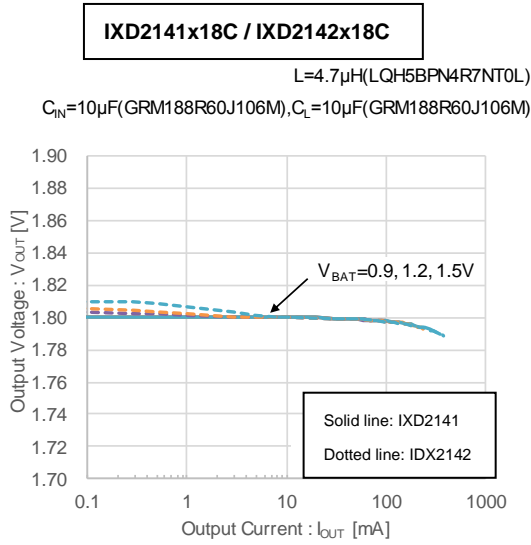
TYPICAL PERFORMANCE CHARACTERISTICS

(1) Efficiency vs. Output Current



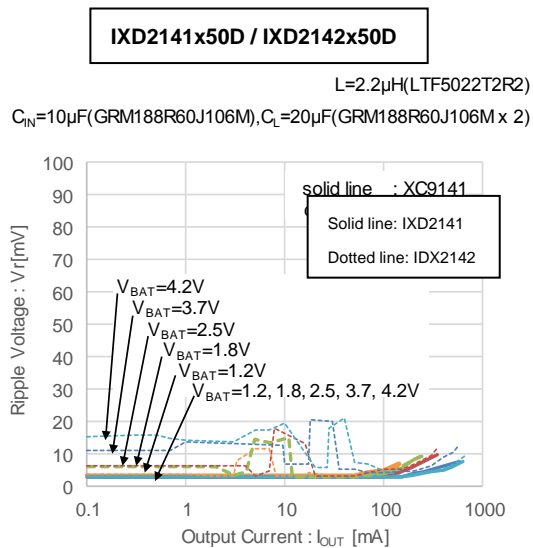
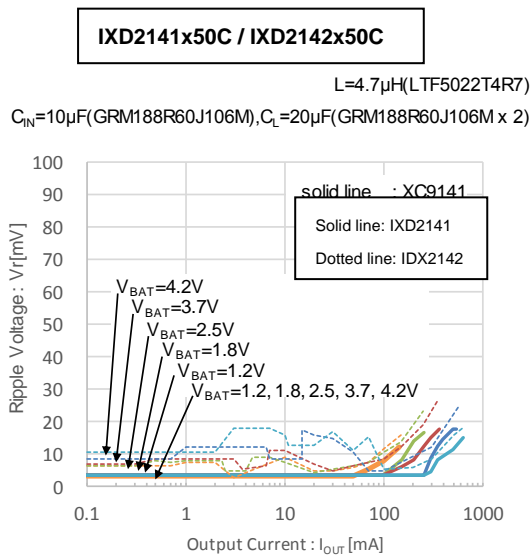
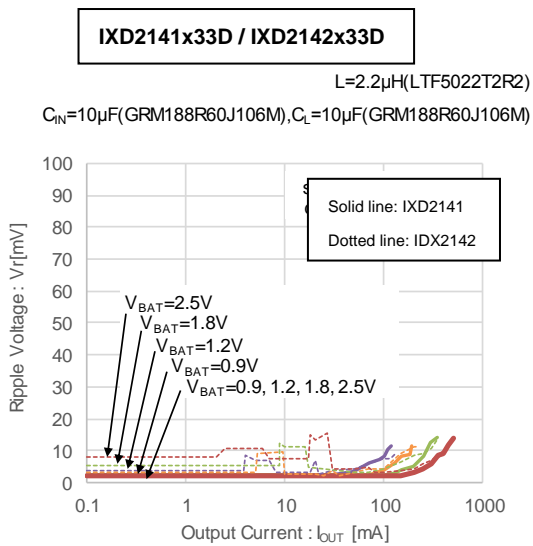
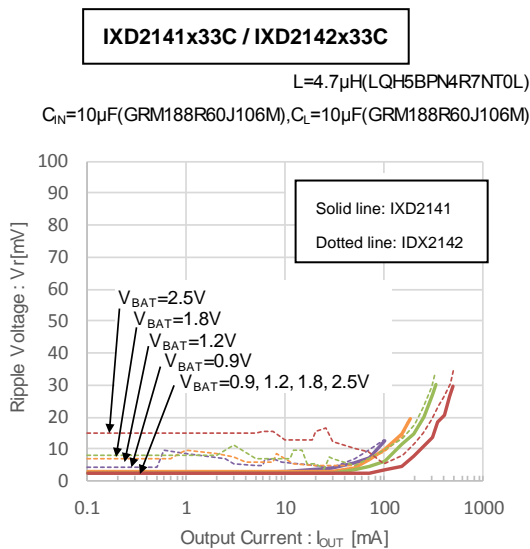
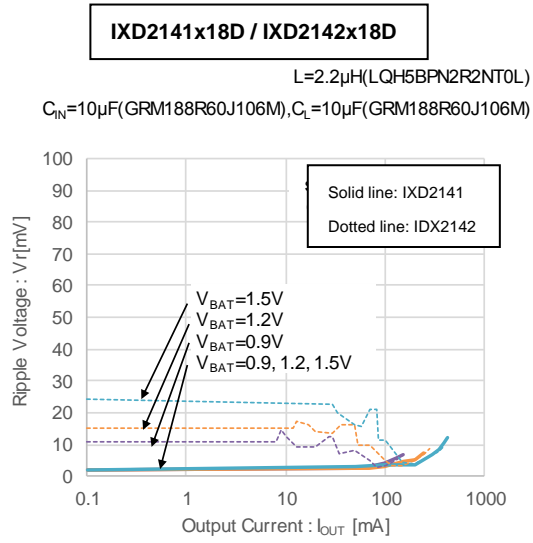
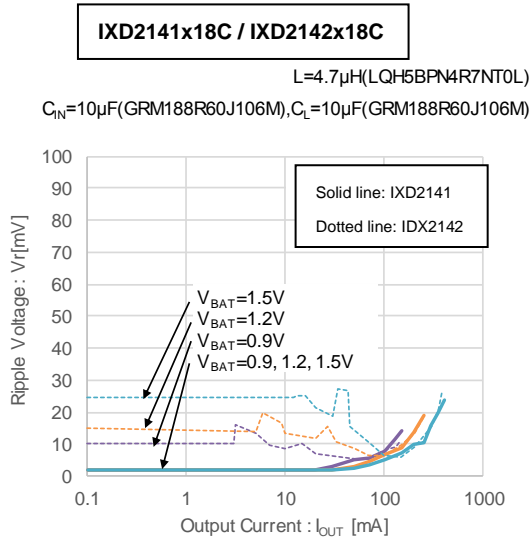
TYPICAL PERFORMANCE CHARACTERISTICS (Continued)

(2) Output Voltage vs. Output Current



■ TYPICAL PERFORMANCE CHARACTERISTICS (Continued)

(3) Ripple Voltage vs. Output Current

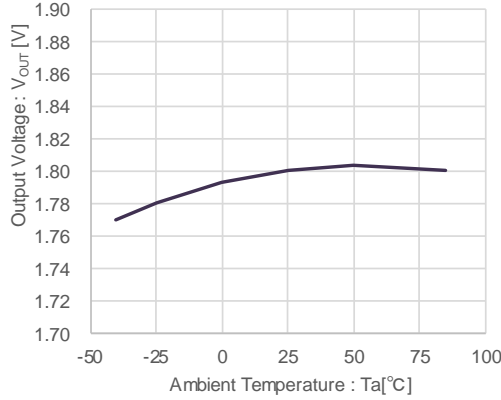


TYPICAL PERFORMANCE CHARACTERISTICS (Continued)

(4) Output Voltage vs. Ambient Temperature

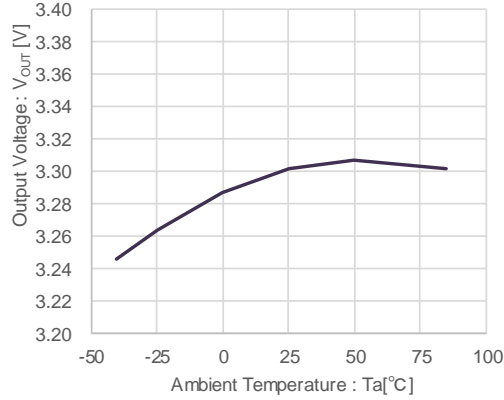
IXD2141x18C / IXD2142x18C

$L=4.7\mu\text{H}$ (LQH5BPN4R7NT0L)
 $C_{IN}=10\mu\text{F}$ (GRM188R60J106M), $C_L=10\mu\text{F}$ (GRM188R60J106M)



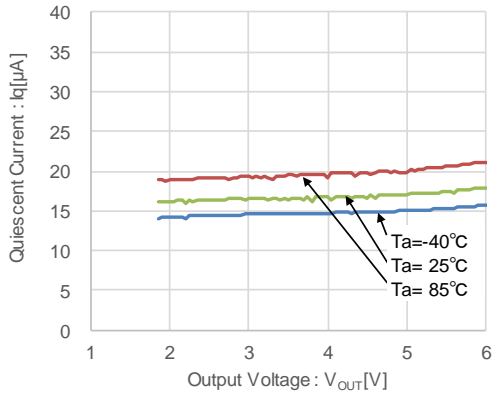
IXD2141x33C / IXD2142x33C

$L=4.7\mu\text{H}$ (LQH5BPN4R7NT0L)
 $C_{IN}=10\mu\text{F}$ (GRM188R60J106M), $C_L=10\mu\text{F}$ (GRM188R60J106M)

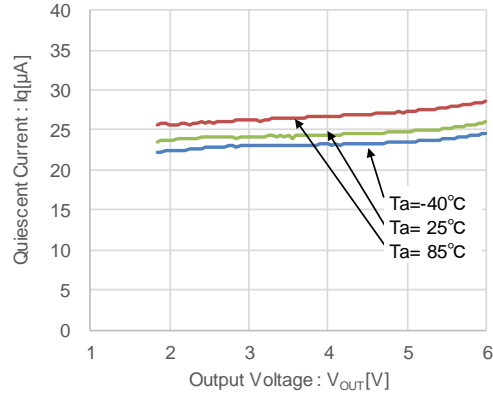


(5) Quiescent Current vs. Output Voltage

IXD2142x18C

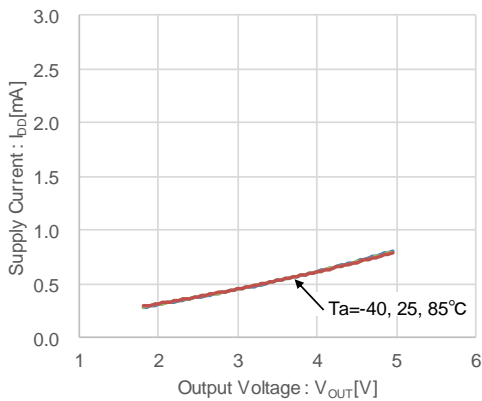


IXD2142x18D

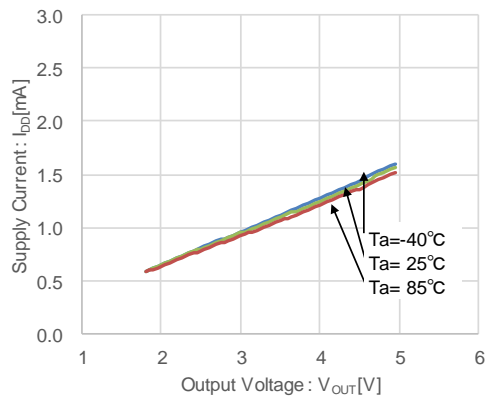


(6) Supply Current vs. Output voltage

IXD2141x50C / IXD2142x50C

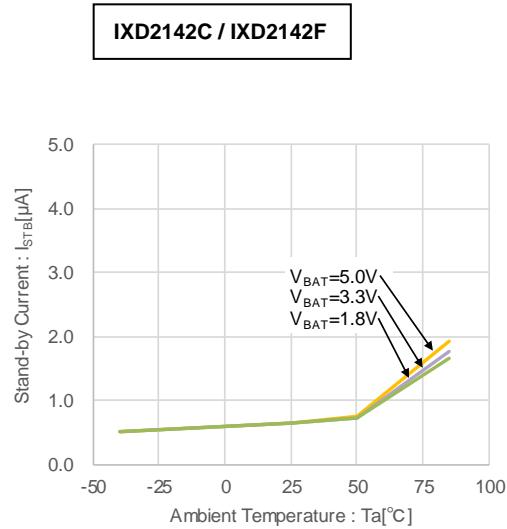
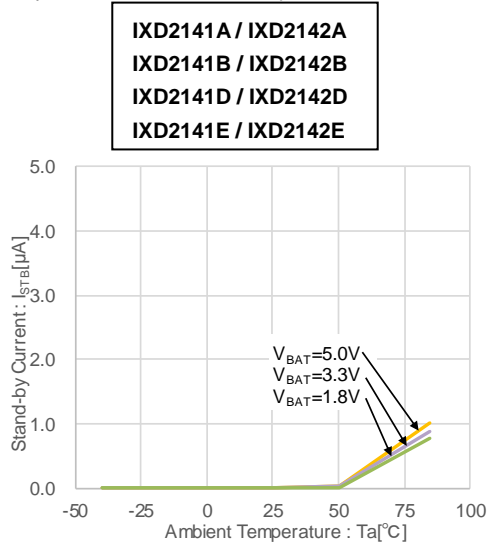


IXD2141x50D / IXD2142x50D

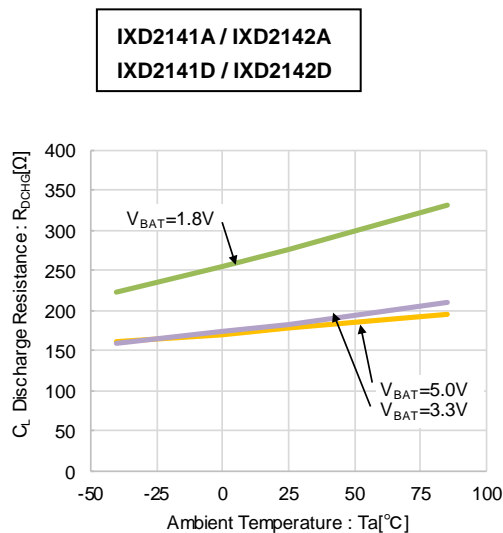


TYPICAL PERFORMANCE CHARACTERISTICS (Continued)

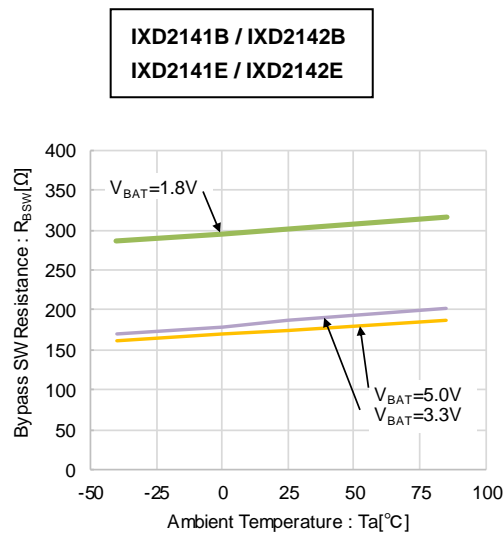
(7) Stand-by Current vs. Ambient Temperature



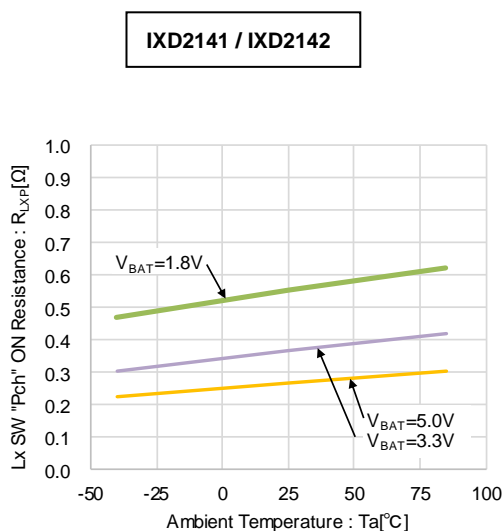
(8) C_L Discharge Resistance vs. Ambient Temperature



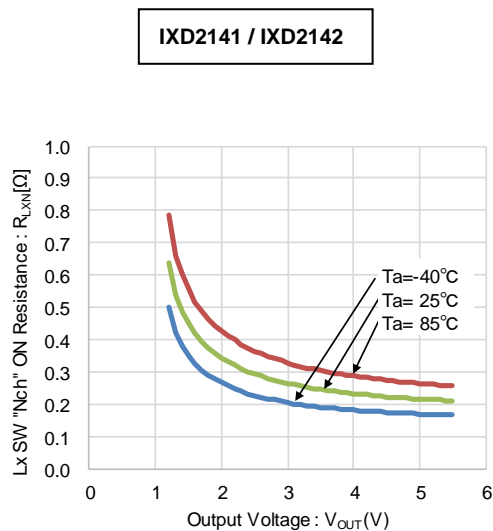
(9) Bypass SW Resistance vs. Ambient Temperature



(10) Lx SW "Pch" ON Resistance vs. Ambient Temperature

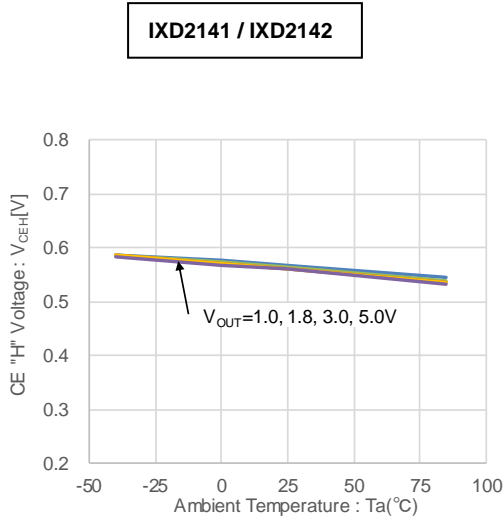


(11) Lx SW "Nch" ON Resistance vs. Output Voltage

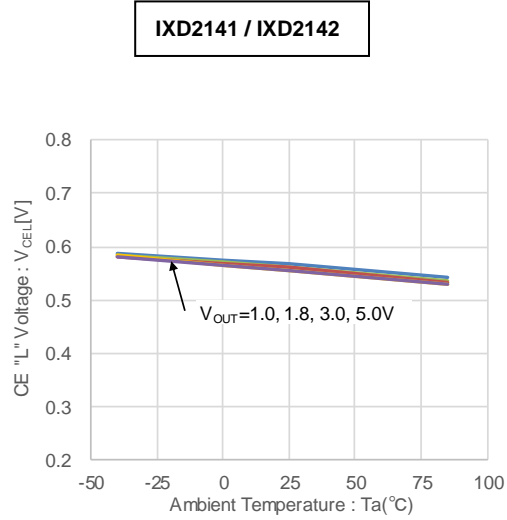


TYPICAL PERFORMANCE CHARACTERISTICS (Continued)

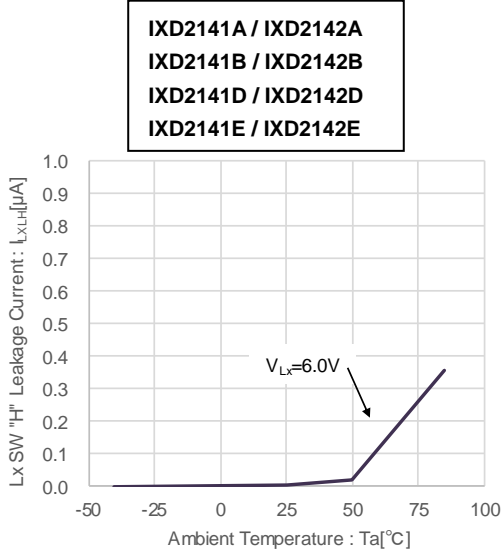
(12) CE "H" Voltage vs. Ambient Temperature



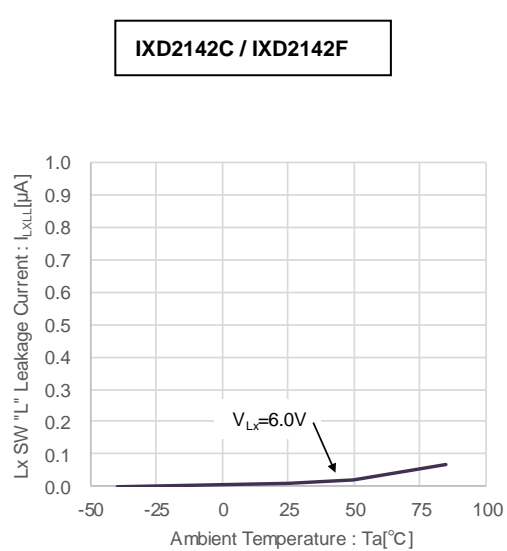
(13) CE "L" Voltage vs. Ambient Temperature



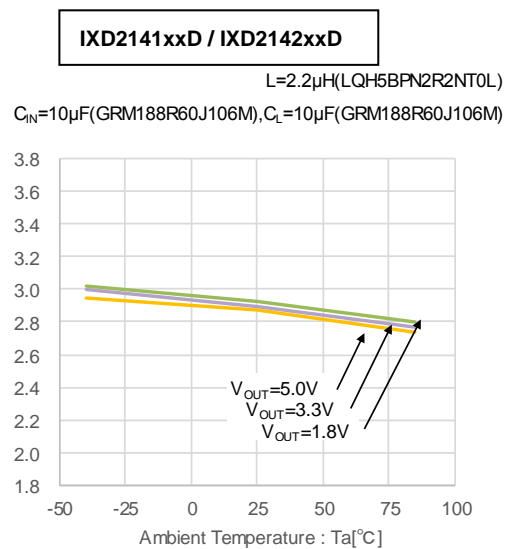
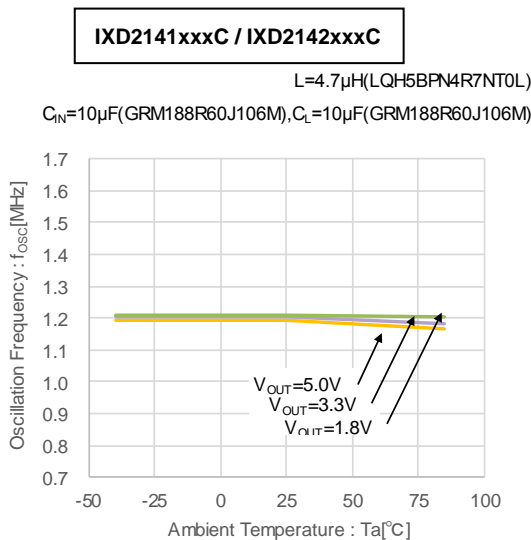
(14) Lx SW "H" Leakage Current vs. Ambient temperature



(15) Lx SW "L" Leakage Current vs. Ambient temperature

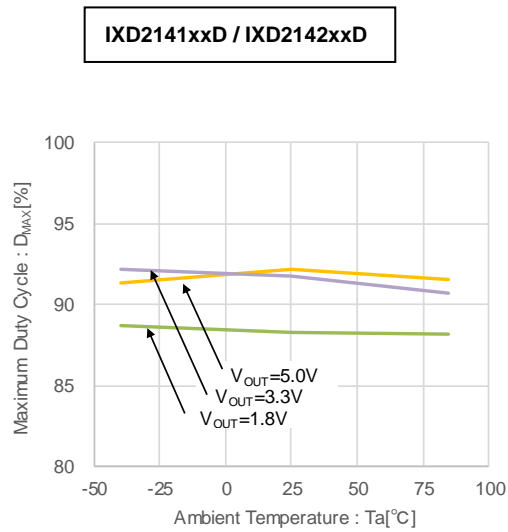
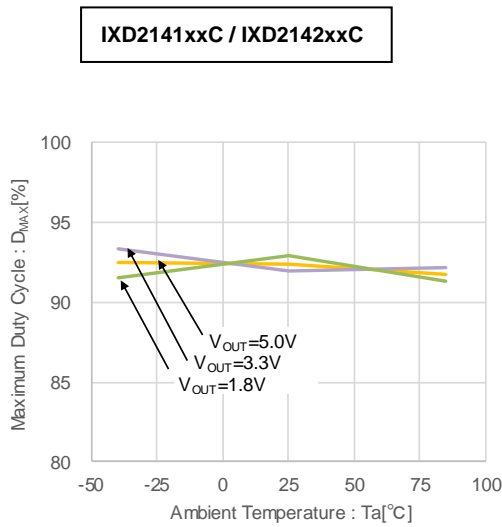


(16) Oscillation Frequency vs. Ambient temperature

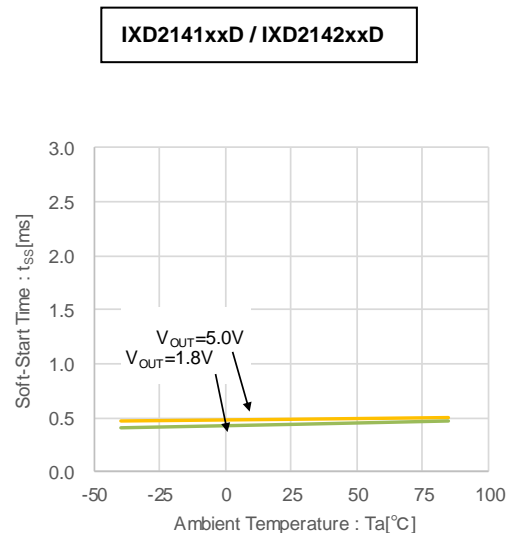
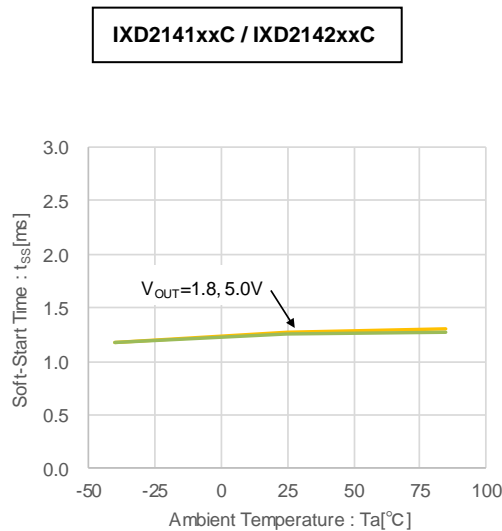


TYPICAL PERFORMANCE CHARACTERISTICS (Continued)

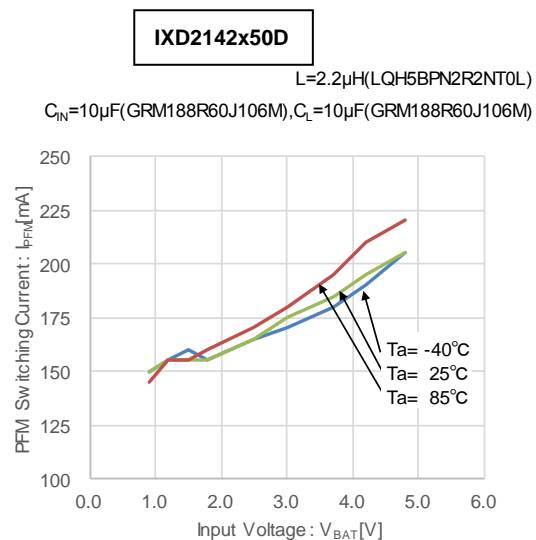
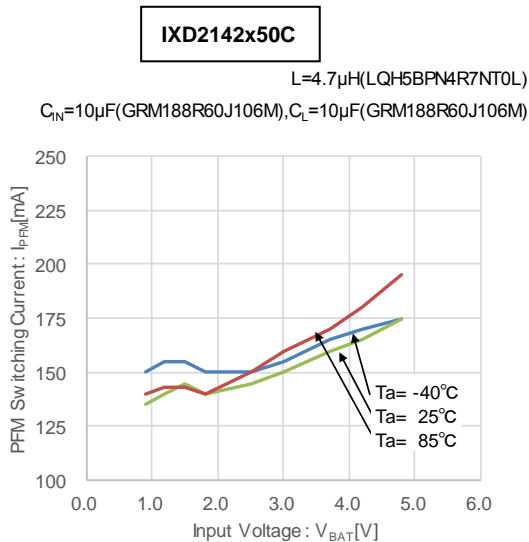
(17) Maximum Duty Cycle vs. Ambient temperature



(18) Soft-Start Time vs. Ambient temperature

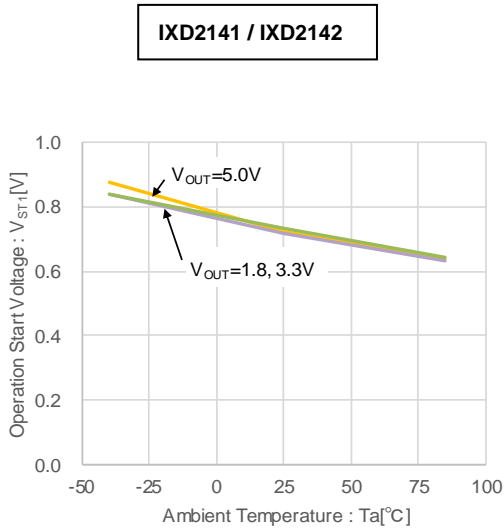


(19) PFM Switching Current vs. Input Voltage

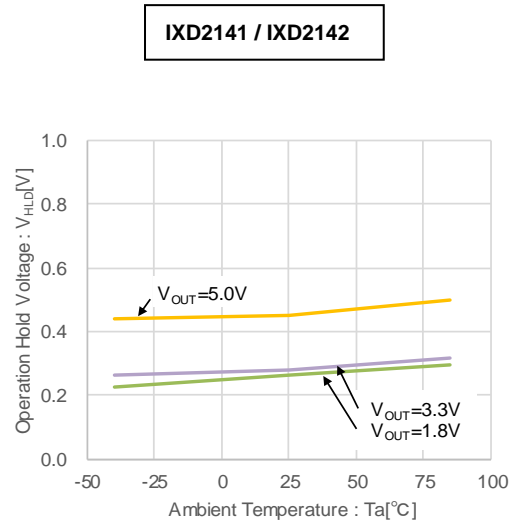


■ TYPICAL PERFORMANCE CHARACTERISTICS (Continued)

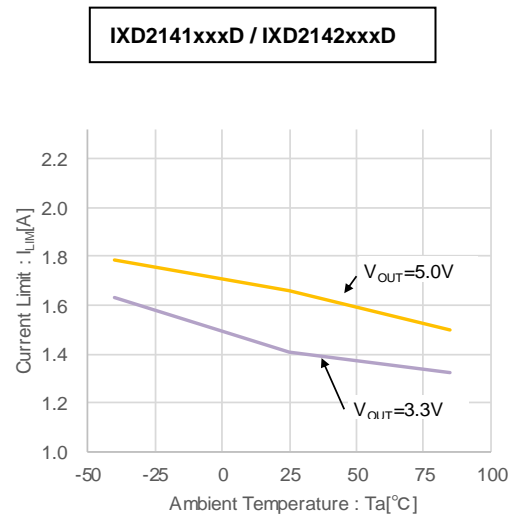
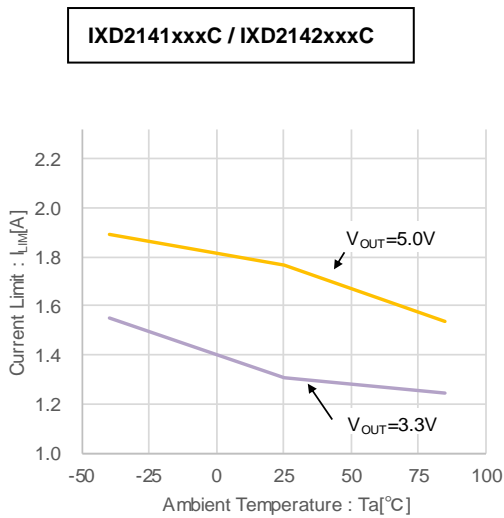
(20) Operation Start Voltage vs. Ambient temperature



(21) Operation Hold Voltage vs. Ambient temperature



(22) Current Limit vs. Ambient temperature



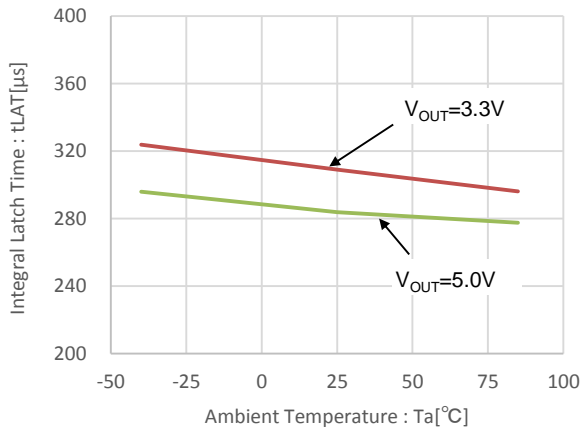
TYPICAL PERFORMANCE CHARACTERISTICS (Continued)

(23) Integral Latch Time vs. Ambient temperature

IXD2141DxxC / IXD2142DxxC
IXD2141ExxC / IXD2142ExxC
IXD2142FxxC

L=4.7μH(LTF5022T4R7)

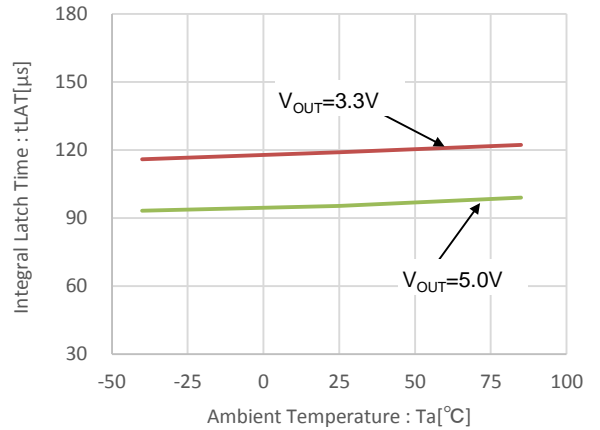
C_{IN}=10μF(GRM188R60J106M), C_L=10μF(GRM188R60J106M)



IXD2141DxxC / IXD2142DxxC
IXD2141ExxC / IXD2142ExxC
IXD2142FxxC

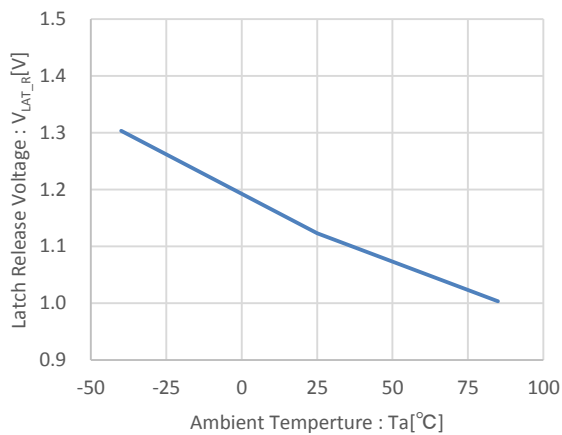
L=4.7μH(LTF5022T4R7)

C_{IN}=10μF(GRM188R60J106M), C_L=10μF(GRM188R60J106M)



(24) Latch Release Voltage vs. Ambient temperature

IXD2141D / IXD2142D
IXD2141E / IXD2142E
IXD2142F



TYPICAL PERFORMANCE CHARACTERISTICS (Continued)

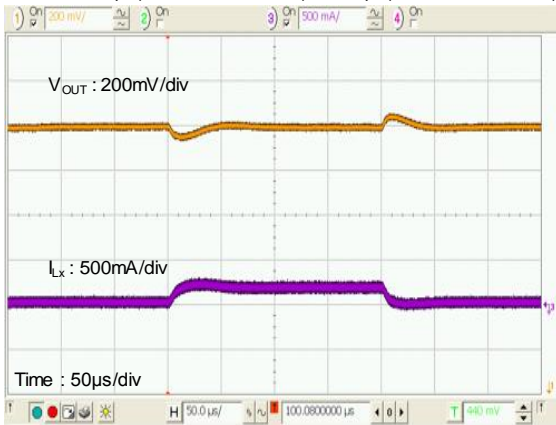
(25) Load Transient Response

IXD2141x18C

$V_{BAT}=1.2V, V_{OUT}=1.8V, I_{OUT}=10mA \leftrightarrow 100mA$

$L=4.7\mu H(LTF5022T4R7)$

$C_{IN}=10\mu F(GRM188R60J106M), C_L=10\mu F(GRM188R60J106M)$

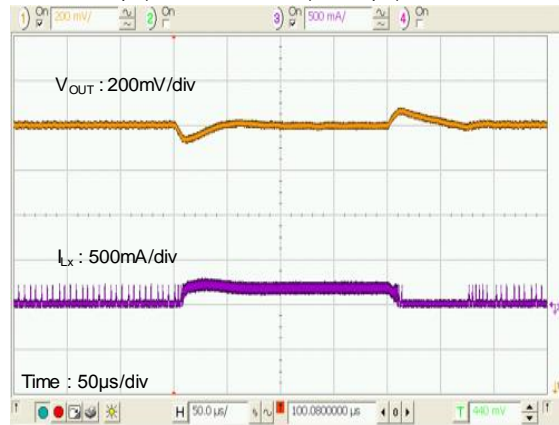


IXD2142x18C

$V_{BAT}=1.2V, V_{OUT}=1.8V, I_{OUT}=10mA \leftrightarrow 100mA$

$L=4.7\mu H(LTF5022T4R7)$

$C_{IN}=10\mu F(GRM188R60J106M), C_L=10\mu F(GRM188R60J106M)$



IXD2141x33C

$V_{BAT}=2.4V, V_{OUT}=3.3V, I_{OUT}=20mA \leftrightarrow 300mA$

$L=4.7\mu H(LTF5022T4R7)$

$C_{IN}=10\mu F(GRM188R60J106M), C_L=10\mu F(GRM188R60J106M)$

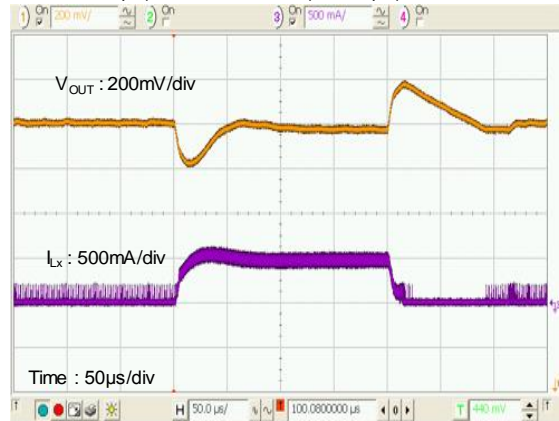


IXD2142x33C

$V_{BAT}=2.4V, V_{OUT}=3.3V, I_{OUT}=20mA \leftrightarrow 300mA$

$L=4.7\mu H(LTF5022T4R7)$

$C_{IN}=10\mu F(GRM188R60J106M), C_L=10\mu F(GRM188R60J106M)$



IXD2141x50C

$V_{BAT}=3.7V, V_{OUT}=5.0V, I_{OUT}=20mA \leftrightarrow 300mA$

$L=4.7\mu H(LTF5022T4R7)$

$C_{IN}=10\mu F(GRM188R60J106M), C_L=20\mu F(GRM188R60J106M \times 2)$

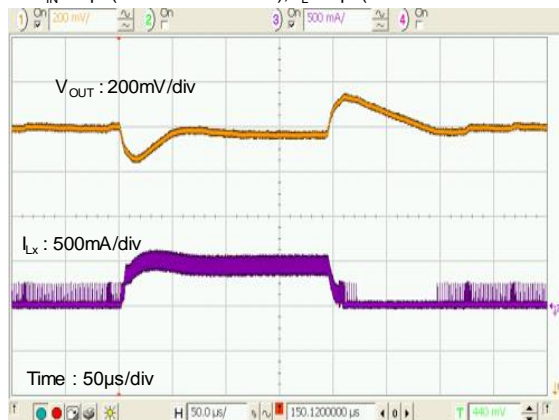


IXD2142x50C

$V_{BAT}=3.7V, V_{OUT}=5.0V, I_{OUT}=20mA \leftrightarrow 300mA$

$L=4.7\mu H(LTF5022T4R7)$

$C_{IN}=10\mu F(GRM188R60J106M), C_L=20\mu F(GRM188R60J106M \times 2)$

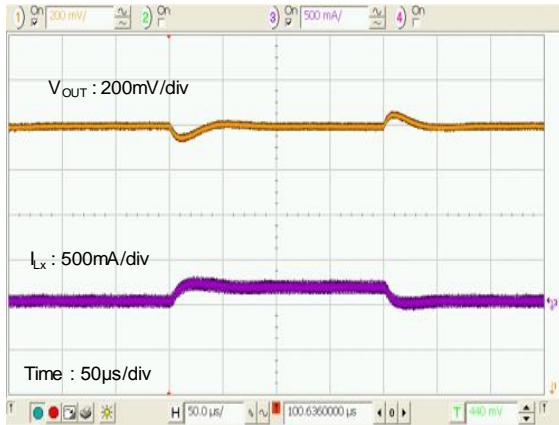


TYPICAL PERFORMANCE CHARACTERISTICS (Continued)

(25) Load Transient Response

IXD2141x18D

$V_{BAT}=1.2V, V_{OUT}=1.8V, I_{OUT}=10mA \leftrightarrow 100mA$
 $L=2.2\mu H(LTF5022T2R2)$
 $C_{IN}=10\mu F(GRM188R60J106M), C_L=10\mu F(GRM188R60J106M)$



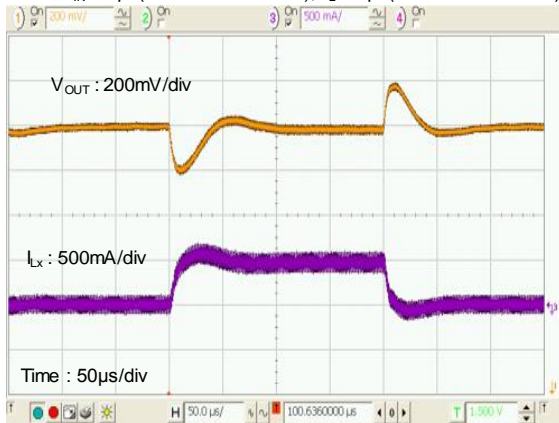
IXD2142x18D

$V_{BAT}=1.2V, V_{OUT}=1.8V, I_{OUT}=10mA \leftrightarrow 100mA$
 $L=2.2\mu H(LTF5022T2R2)$
 $C_{IN}=10\mu F(GRM188R60J106M), C_L=10\mu F(GRM188R60J106M)$



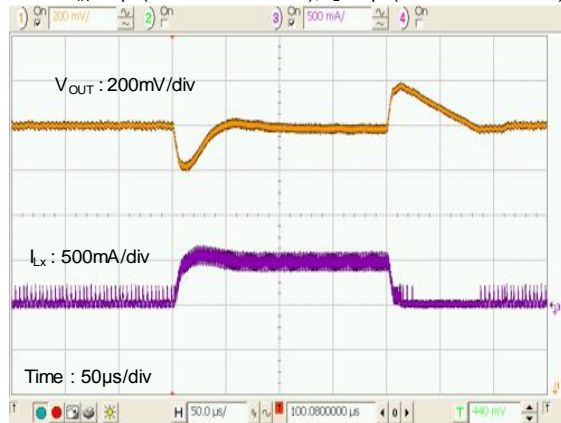
IXD2141x33D

$V_{BAT}=2.4V, V_{OUT}=3.3V, I_{OUT}=20mA \leftrightarrow 300mA$
 $L=2.2\mu H(LTF5022T2R2)$
 $C_{IN}=10\mu F(GRM188R60J106M), C_L=10\mu F(GRM188R60J106M)$



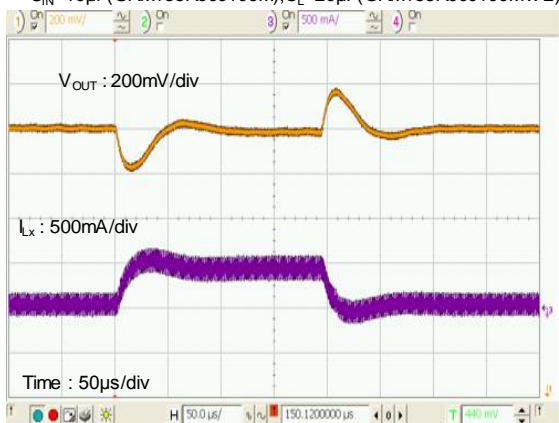
IXD2142x33D

$V_{BAT}=2.4V, V_{OUT}=3.3V, I_{OUT}=20mA \leftrightarrow 300mA$
 $L=2.2\mu H(LTF5022T2R2)$
 $C_{IN}=10\mu F(GRM188R60J106M), C_L=10\mu F(GRM188R60J106M)$



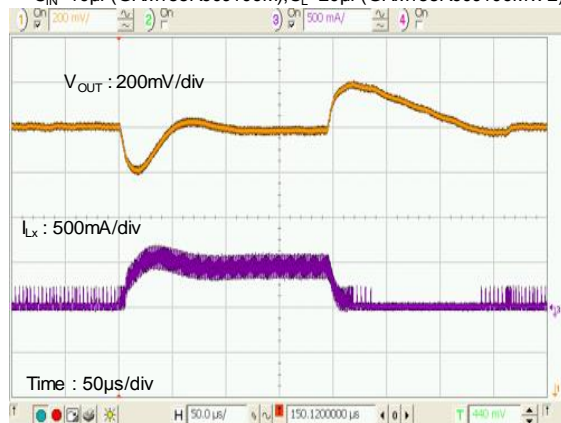
IXD2141x50D

$V_{BAT}=3.7V, V_{OUT}=5.0V, I_{OUT}=20mA \leftrightarrow 300mA$
 $L=2.2\mu H(LTF5022T2R2)$
 $C_{IN}=10\mu F(GRM188R60J106M), C_L=20\mu F(GRM188R60J106M \times 2)$



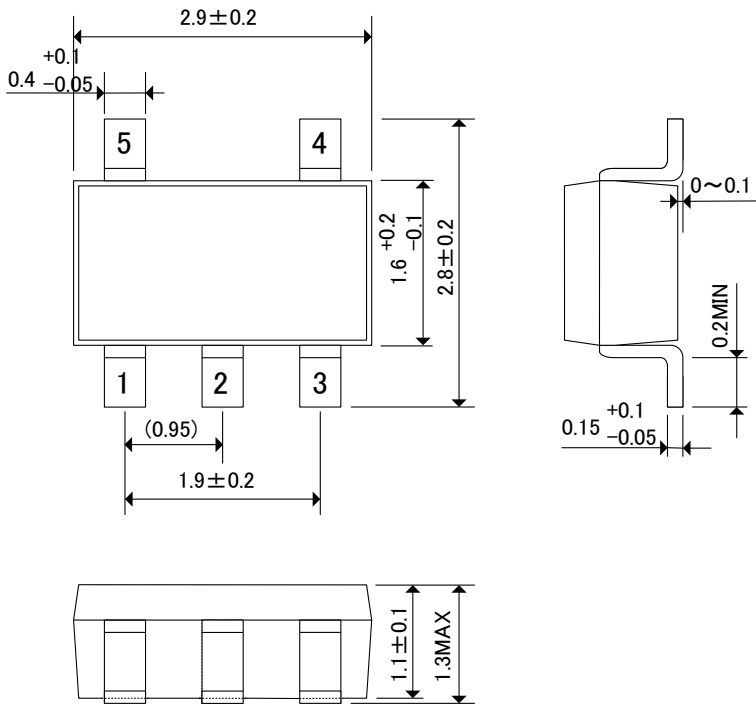
IXD2142x50D

$V_{BAT}=3.7V, V_{OUT}=5.0V, I_{OUT}=20mA \leftrightarrow 300mA$
 $L=2.2\mu H(LTF5022T2R2)$
 $C_{IN}=10\mu F(GRM188R60J106M), C_L=20\mu F(GRM188R60J106M \times 2)$

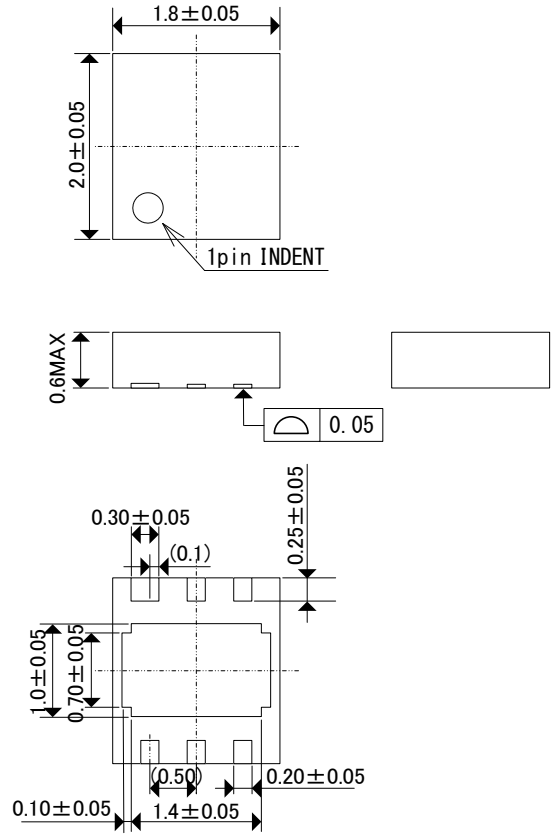


PACKAGING INFORMATION

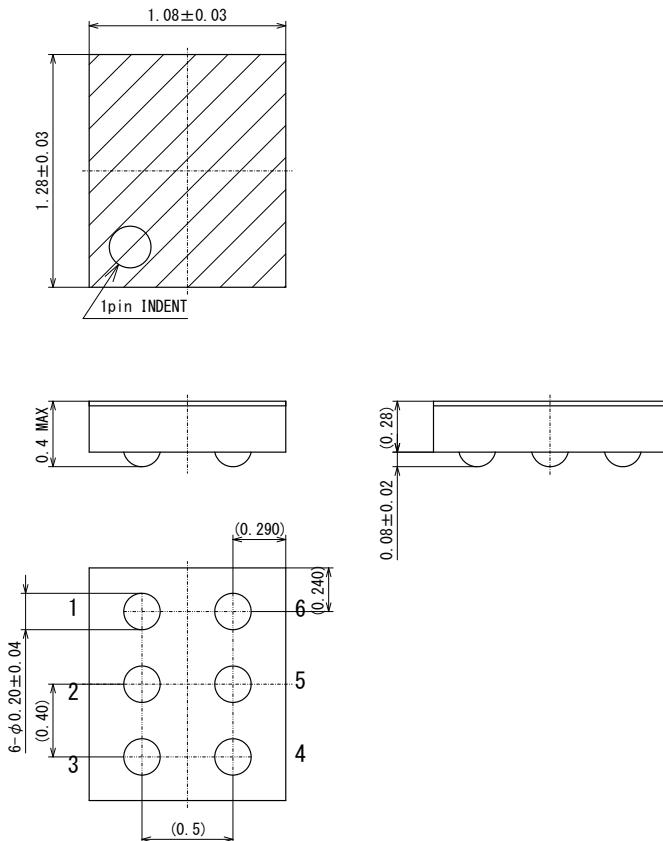
● SOT-25 (unit: mm)



● USP-6C (unit: mm)

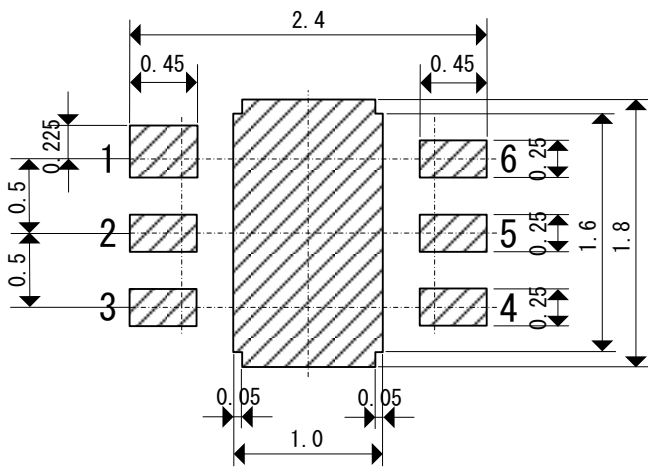


● WLP-6-01 (unit: mm)

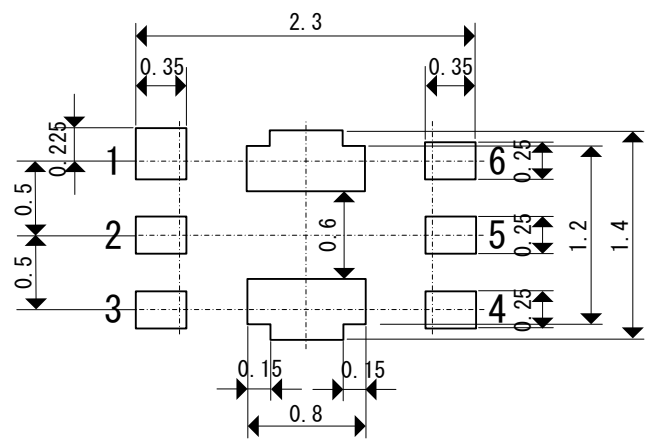


PACKAGING INFORMATION (Continued)

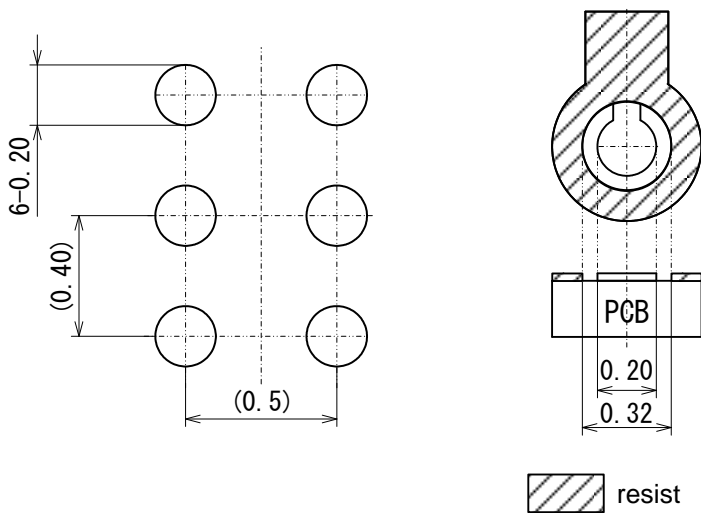
● USP-6C Reference Pattern Layout (unit: mm)



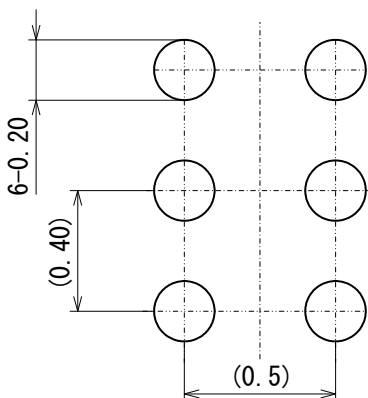
● USP-6C Reference Metal Mask Design (unit: mm)



● WLP-6-01 Reference Pattern Layout / Reference Pattern Layout detail (unit: mm)



● WLP-6-01 Reference Metal Mask Design (unit: mm)



● **SOT-25 Power Dissipation**

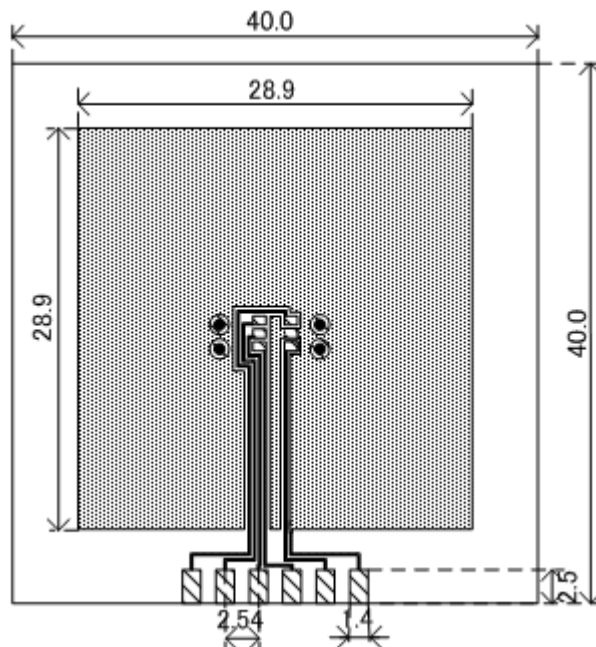
Power dissipation data for the SOT-25 is shown in this page.

The value of power dissipation varies with the mount board conditions.

Please use this data as one of reference data taken in the described condition.

1. Measurement Condition (Reference data)

- Condition: Mount on a board
- Ambient: Natural convection
- Soldering: Lead (Pb) free
- Board: Dimensions 40 x 40 mm (1600 mm² in one side)
Copper (Cu) traces occupy 50% of the board area in top and back faces
Package heat-sink is tied to the copper traces
(Board of SOT-26 is used.)
- Material: Glass Epoxy (FR-4)
- Thickness: 1.6 mm
- Through-hole: 4 x 0.8 Diameter

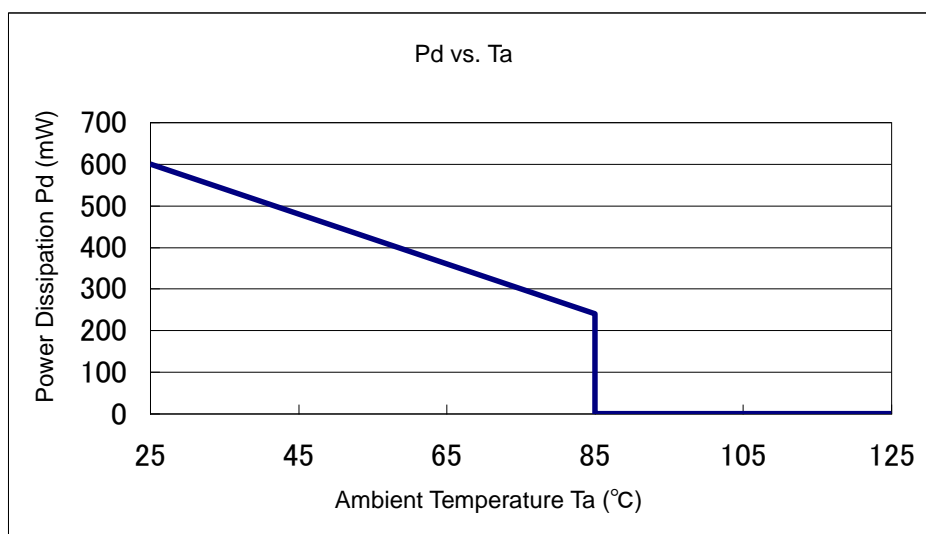


Evaluation Board (Unit: mm)

2. Power Dissipation vs. Ambient temperature

Board Mount (T_j max = 125°C)

| Ambient Temperature (°C) | Power Dissipation Pd (mW) | Thermal Resistance (°C/W) |
|--------------------------|---------------------------|---------------------------|
| 25 | 600 | 166.67 |
| 85 | 240 | |

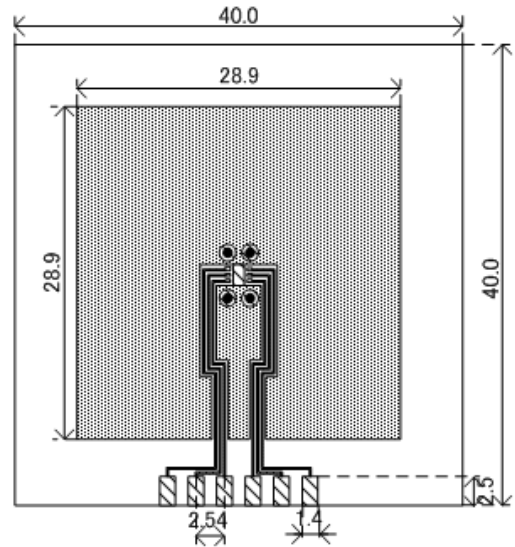


● USP-6C Power Dissipation

Power dissipation data for the USP-6C is shown in this page.
The value of power dissipation varies with the mount board conditions.
Please use this data as one of reference data taken in the described condition.

1. Measurement Condition (Reference data)

- Condition: Mount on a board
- Ambient: Natural convection
- Soldering: Lead (Pb) free
- Board: Dimensions 40mm×40mm (1600mm² in one side)
Copper (Cu) traces occupy 50% of the board area
in top and back faces
Package heat-sink is tied to the copper traces
- Material: Glass Epoxy (FR-4)
- Thickness: 1.6mm
- Through-hole: 4 x 0.8 Diameter

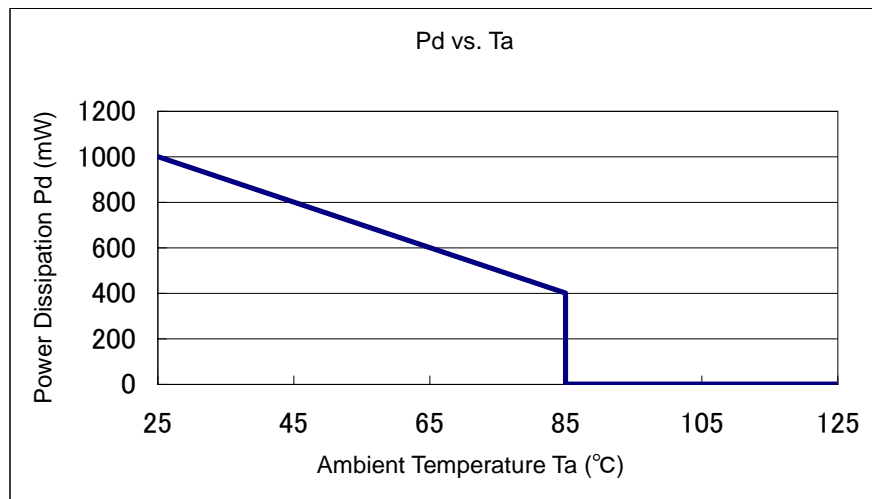


Evaluation Board (Unit: mm)

2. Power Dissipation vs. Ambient temperature

Board Mount (T_j max=125°C)

| Ambient Temperature (°C) | Power Dissipation Pd (mW) | Thermal Resistance (°C/W) |
|--------------------------|---------------------------|---------------------------|
| 25 | 1000 | 100.00 |
| 85 | 400 | |



● WLP-6-01 Power Dissipation

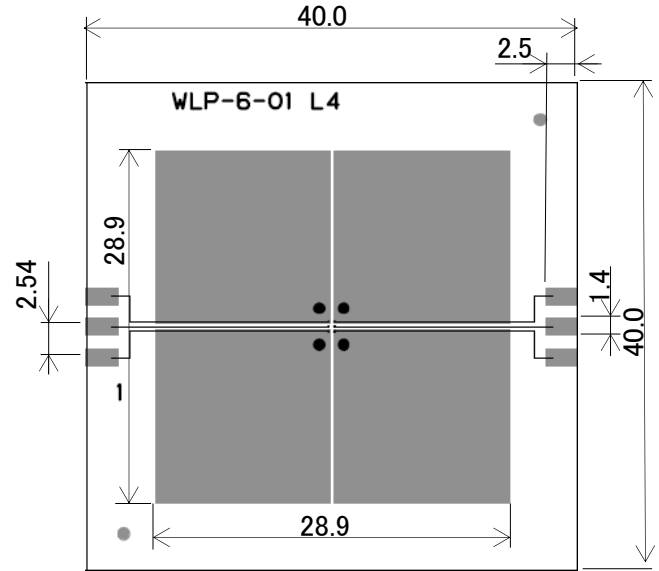
Power dissipation data for the WLP-6-01 is shown in this page.

The value of power dissipation varies with the mount board conditions.

Please use this data as one of reference data taken in the described condition.

1. Measurement Condition (Reference data)

- Condition: Mount on a board
- Ambient: Natural convection
- Soldering: Lead (Pb) free
- Board: 40mmx40mm (1600mm² in one side)
- Metal Area: 1st Metal Layer about 50%
- 2nd Inner Metal Layer about 50%
- 3rd Inner Metal Layer about 50%
- 4th Metal Layer about 50%
- Material: Glass Epoxy (FR-4)
- Thickness: 1.6mm
- Through-hole: 4 x 0.8 Diameter

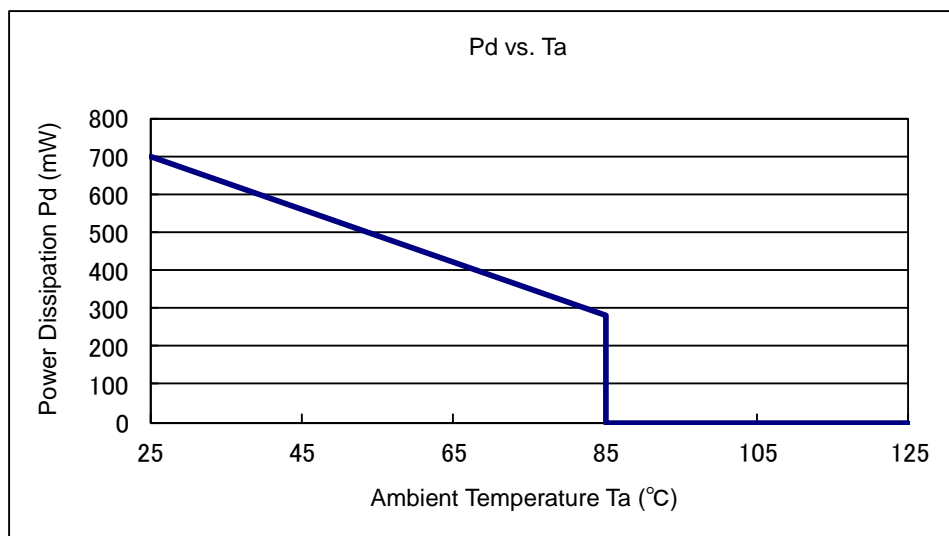


Evaluation Board (Unit: mm)

2. Power Dissipation vs. Ambient temperature

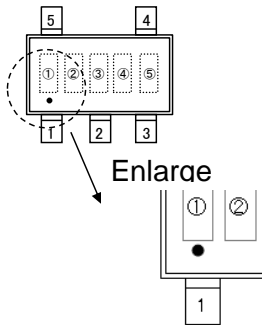
Board Mount ($T_j \text{ max}=125^\circ\text{C}$)

| Ambient Temperature ($^\circ\text{C}$) | Power Dissipation P_d (mW) | Thermal Resistance ($^\circ\text{C}/\text{W}$) |
|--|------------------------------|--|
| 25 | 700 | 142.86 |
| 85 | 280 | |

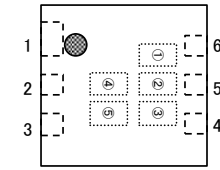


MARKING RULE

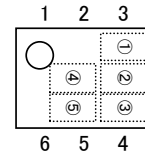
SOT-25 (Under dot)



USP-6C



WLP-6-01



① represents products series

| MARK | PRODUCT SERIES |
|------|---------------------------|
| Y | IXD2141/42A/B/C/D/Sxxxx-G |
| Z | IXD2141/42E/Fxxxx-G |

② represents products series, Oscillation Frequency, and output voltage range

| SERIES | OSCILLATION FREQUENCY | OUTPUT VOLTAGE RANGE [V] | | PRODUCT SERIES |
|----------|-----------------------|--------------------------|---------|-----------------|
| | | 1.8~3.7 | 3.8~5.5 | |
| IXD2141A | 1.2MHz | 0 | 1 | IXD2141AxxCxx-G |
| IXD2141B | | 2 | 3 | IXD2141BxxCxx-G |
| IXD2141D | | 8 | 9 | IXD2141DxxCxx-G |
| IXD2141E | | A | B | IXD2141ExxCxx-G |
| IXD2141A | 3.0MHz | 4 | 5 | IXD2141AxxDxx-G |
| IXD2141B | | 6 | 7 | IXD2141BxxDxx-G |
| IXD2141D | | R | U | IXD2141DxxDxx-G |
| IXD2141E | | C | D | IXD2141ExxDxx-G |
| IXD2142A | 1.2MHz | A | B | IXD2142AxxCxx-G |
| IXD2142B | | C | D | IXD2142BxxCxx-G |
| IXD2142C | | E | F | IXD2142CxxCxx-G |
| IXD2142D | | V | X | IXD2142DxxCxx-G |
| IXD2142E | | E | F | IXD2142ExxCxx-G |
| IXD2142F | | H | K | IXD2142FxxCxx-G |
| IXD2142A | 3.0MHz | H | K | IXD2142AxxDxx-G |
| IXD2142B | | L | M | IXD2142BxxDxx-G |
| IXD2142C | | N | P | IXD2142CxxDxx-G |
| IXD2142D | | Y | Z | IXD2142DxxDxx-G |
| IXD2142E | | L | M | IXD2142ExxDxx-G |
| IXD2142F | | N | P | IXD2142FxxDxx-G |

③ represents output voltage

| MARK | OUTPUT VOLTAGE [V] | | MARK | OUTPUT VOLTAGE [V] | |
|------|--------------------|-----|------|--------------------|-----|
| 0 | 1.8 | 3.8 | A | 2.8 | 4.8 |
| 1 | 1.9 | 3.9 | B | 2.9 | 4.9 |
| 2 | 2.0 | 4.0 | C | 3.0 | 5.0 |
| 3 | 2.1 | 4.1 | D | 3.1 | 5.1 |
| 4 | 2.2 | 4.2 | E | 3.2 | 5.2 |
| 5 | 2.3 | 4.3 | F | 3.3 | 5.3 |
| 6 | 2.4 | 4.4 | H | 3.4 | 5.4 |
| 7 | 2.5 | 4.5 | K | 3.5 | 5.5 |
| 8 | 2.6 | 4.6 | L | 3.6 | - |
| 9 | 2.7 | 4.7 | M | 3.7 | - |

④,⑤ represents production lot number

01~09, 0A~0Z, 11~9Z, A1~A9, AA~AZ, B1~ZZ in order.

(G, I, J, O, Q, W excluded)

* No character inversion used.