

### Features:

- Logic Level Gate Drive Compatible
- 60mA Source / 120mA Sink Minimum Gate Drive
- 5.0V or 3.3V Voltage Regulator
- Charge Pump Regulator Stabilizes  $V_{CC}$  Power Supply at 13V
- UVLO Protection

### Applications:

- $\mu$ Controller based off-line applications
- Power Supply and Power Management
- Lighting Control

### General Description

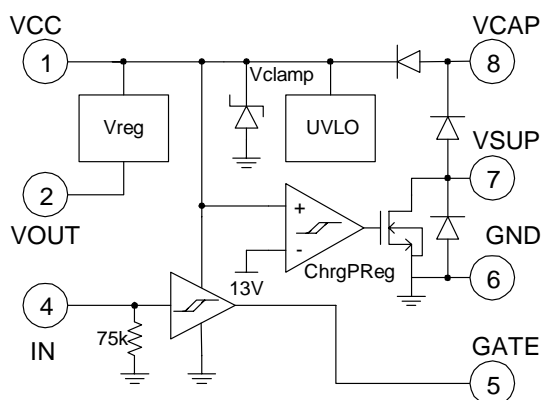
The IXI858 and IXI859 combine a power MOSFET driver, linear voltage regulator, and charge pump regulator for power supply generation in a single SOIC-8 package. The IXI858 features a 5.0V linear voltage regulator, and the IXI859 a 3.3V linear voltage regulator. These three power functions combined on the IXI858/859 target micro-controller based off-line applications.

The IXI858 and IXI859 are designed to operate over a temperature range of  $-25^{\circ}\text{C}$  to  $+125^{\circ}\text{C}$ , and are available in an 8 lead SOIC package.

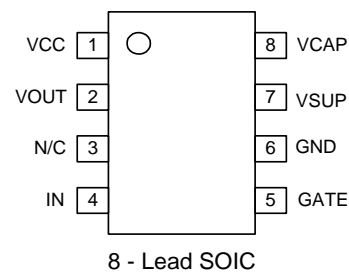
### ORDERING INFORMATION

Part No.	Description	Pack Quantity
IXI858S1	5.0V Version	100 (Tube)
IXI858S1T/R		2500(Tape & Reel)
IXI859S1	3.3V Version	100 (Tube)
IXI859S1T/R		2500(Tape & Reel)

### Functional Block Diagram



### SOIC-8 Lead Configuration



**SOIC-8 Pin Description**

Pin No.	Pin Symbol	I/O	Description
1	VCC	Supply	Power input connects to a rectified high voltage source through a current limiting series resistor and filter capacitor to ground. Regulated 13 volt output when the charge pump is active.
2	VOUT	Output	Linear Regulator Output (IXI858 = 5.0V, IXI859 = 3.3V)
3	N/C		No Connect
4	IN	Input	Gate Driver Input
5	GATE	Output	Gate Driver Output. Drives external power MOSFET.
6	GND	Ground	Ground Return
7	VSUP	I/O	Charge Pump Switch Input. Enables / disables the charge pump output. Requires a low ESR capacitor.
8	VCAP	I/O	Charge Pump Switch Output. Rectified charge pump output. Requires a low ESR capacitor.

**Absolute Maximum Ratings**

Symbol	Parameter	Min	Max	Units
$V_{CC}$	DC Supply Voltage	-0.4	+20.0	V
$V_{OUT}$	Logic System Supply Voltage	-0.4	+6.0	V
$V_{IN}$	Gate Input Voltage	-0.4	+6.0	V
$I_{SUP}$	Continuous current into $V_{SUP}$ pin	-200	+200	mA
$I_{PEAK}$	Peak Current into $V_{SUP}$	-1	+1	A
$P_D$	Power Dissipation		500	mW
$T_J$	Maximum Junction Temperature		+150	°C
$T_{STG}$	Storage Temperature	-65	+150	°C

*Absolute Maximum Ratings are stress ratings. Stresses in excess of these ratings can cause permanent damage to the device. Functional operation of the device at these or any other conditions beyond those indicated in the operational sections of this data sheet is not implied. Exposure of the device to the absolute maximum ratings for an extended period may degrade the device and affect its reliability.*

**ESD Warning**

ESD (electrostatic discharge) sensitive device. Although the IXI858 / IXI859 feature proprietary ESD protection circuitry, permanent damage may be sustained if subjected to high energy electrostatic discharges. Proper ESD precautions are recommended to avoid performance degradation or loss of functionality.

## Operating Range

Symbol	Parameter	Min	Max	Units
$V_{CC}$	Supply Voltage	UVLO	+17	V
$I_{SUP}$	Continuous Current in $V_{SUP}$ Pin	0	150	mA
$I_{PEAK}$	Peak Current in $V_{SUP}$ Pin ( $t_P \leq 1\mu S, f \leq 150kHz$ )	-750	+750	mA

## Electrical Characteristics

$T_A = 25^\circ C$ ,  $V_{CC} = 13V$  unless otherwise specified

Symbol	Parameter	Condition	Min	Typ	Max	Units
<b>Supply (VCC)</b>						
$I_{CC}$	Supply Current	$V_{IN} < 1V$ , no load any pin		0.7	1.0	mA
$I_{CC2}$	Supply Current	1nF GATE load, 300kHz IN signal		5		mA
$I_{STBY}$	Standby Current	Undervoltage Detected		160		$\mu A$
$V_{CLAMP}$	Clamp Voltage	$I_{CC} < 5mA$		17		V
<b>Input (IN)</b>						
$V_{TON}$	Turn-on Threshold Voltage			1.95		V
$V_{TOFF}$	Turn-off Threshold Voltage			1.15		V
$V_H$	Hysteresis		0.5			V
$I_{INL}$	Input Current Low				20	$\mu A$
$I_{INH}$	Input Current High				100	$\mu A$
<b>Voltage Regulator (VOUT)</b>						
$V_{OUT}$	Voltage Reference	IXI859 $I_{OUT} = 10mA$	3.20	3.30	3.40	V
		IXI858 $I_{OUT} = 10mA$	4.85	5	5.15	V
$Reg_{LOAD}$	Load Regulation	$I_{OUT}$ change from 10mA to 25mA			50	mV
$I_{PEAK}$	Peak Output Current	$V_{OUT} = 1V$ , IXI859	75			mA
		$V_{OUT} = 1V$ , IXI858	100			
$dV_{OUT}$	Temp Coefficient	$I_{OUT} = 10mA$			250	ppm/ $^\circ C$
$C_{OUT}$	Allowed Capacitive Load	$I_{OUT} = 10mA$	0.2		2.2	$\mu F$
$I_{LEAK}$	Leakage current in UVLO state	$V_{OUT} = 1V$			10	$\mu A$
$T_{STARTUP}$	Startup Time ( $V_{OUT} > 3.1V$ )	$C_{OUT} = 1\mu F$			0.1	mS
$T_{SETTLE}$	Settling Time	$C_{OUT} = 1\mu F$		2		mS
<b>Charge Pump Regulator</b>						
$VCPR_{ON}$	Turn-on Level	Measured at VCC		13.15		V
$VCPR_{OFF}$	Turn-off Level	Measured at VCC		12.85		V
$VCPR_{HYS}$	Hysteresis			0.30		V
$VCPR_{FWD}$	Forward Voltage	$I_{FWD} = 150mA$ (VSUP to VCAP)			1.5	V

### Electrical Characteristics

$T_A=25^{\circ}\text{C}$ ,  $V_{CC}=13\text{V}$  unless otherwise specified

Symbol	Parameter	Condition	Min	Typ	Max	Units
<b>Gate Output (GATE)</b>						
$V_{OL}$	Output Low Voltage	$I_{GATE} = 10\text{mA}$			0.5	V
$V_{OH}$	Output High Voltage	$I_{GATE} = -10\text{mA}$	11			V
$I_{SINK}$	Output Sink Current	$V_{GATE} = 6\text{V}$	120			mA
$I_{SRC}$	Output Source Current	$V_{GATE} = 3\text{V}$	60			mA
$V_{OL2}$	Output Low Voltage in UVLO state	$V_{CC} = 6\text{V}$ , $I_{GATE} = 1\text{mA}$		0.8		V
$t_{MINPW}$	Minimum Output Pulse Width	$C_{GATE} = 10\text{pF}$	80			nS
$t_{PD}$	IN to GATE propagation delay	$C_{GATE} = 10\text{pF}$		200		nS
<b>Under Voltage Lockout (VCC)</b>						
$UVLO_H$	UVLO Top Threshold Voltage	VCC Rising		14.1		V
$UVLO_L$	UVLO Bottom Threshold Voltage	VCC Falling		8.2		V
$V_{HYS}$	UVLO Hysteresis			5.9		V

### Typical Application Circuit

