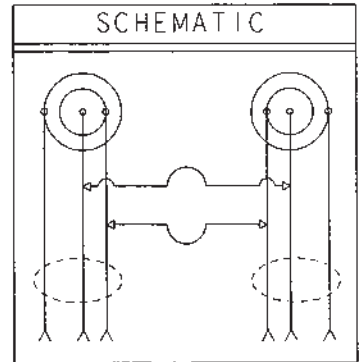
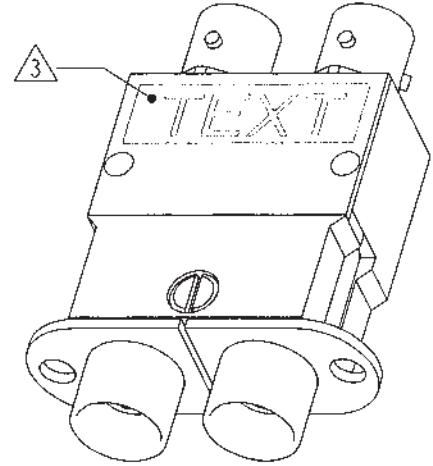
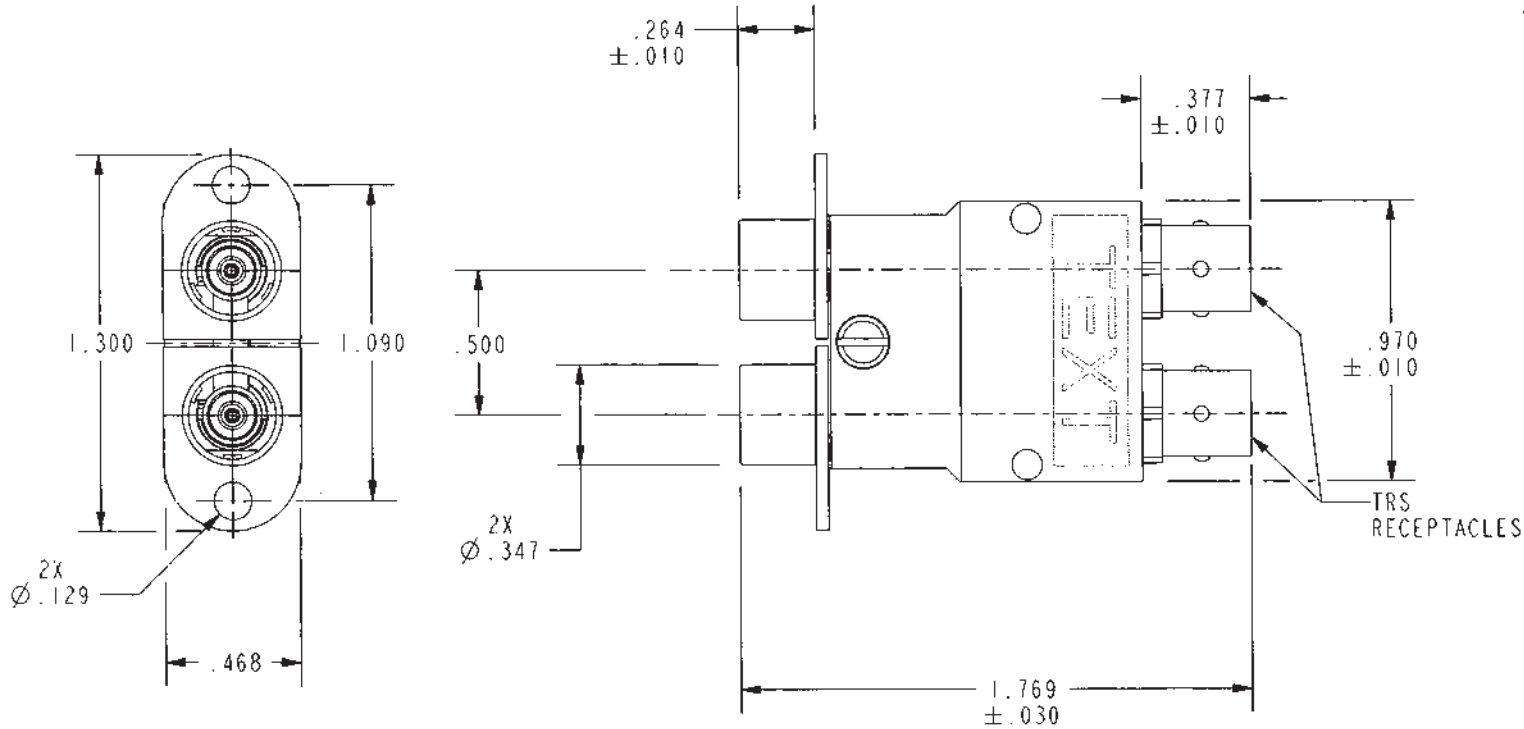


DATA CONTAINED IN THIS DOCUMENT IS PROPRIETARY TO TROMPETER ELECTRONICS INC. AND SHALL NOT BE DISCLOSED, COPIED OR USED FOR PROCUREMENT OR MANUFACTURE WITHOUT EXPRESS WRITTEN PERMISSION.

REVISIONS			
REV	DESCRIPTIONS	DATE	APPROVED
F	REVISED PER ECO 16367	6-2-08	AKR



RED INDICATES ORIGINAL

3 COVER TO BE INK MARKED AS FOLLOWS:

TEI 14949
J158 DATE CODE
PAT. NO. 5702262

2. DUAL TWINAX/TRIAX SELF-NORMALIZING PATCH JACK WITH TRS RECEPTACLES

1. FINISH: TFS-1A, NICKEL

NOTES: UNLESS OTHERWISE SPECIFIED.

INTERPRET DRAWING PER MIL-STD-100. DIMENSIONS ARE IN INCHES AND INCLUDE FINISH THICKNESS UNLESS OTHERWISE SPECIFIED.

TOL: UNLESS SPECIFIED:
.XX ± .02
.XXX ± .010
ANGLE ± 1°

TROMPETER
RF connectivity
a cinch connectivity solutions brand

DRN JOHNSON 12-12-07

CHK Q 2-21-08

MANUF

APPROVED [Signature] 3/4/08

PROJ FILE NO. 3-0297

MATERIAL:

FINISH:

SCALE

DO NOT SCALE DWG

SCALE 1.5/1

TITLE:

J158

SIZE A CAGE CODE 14949 DRAWING NO. 3-0297 REV. F

DATE 11-09-95 SHEET 1C

DATE 11-09-95 SHEET 1C