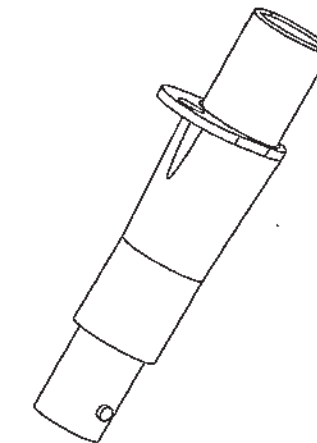
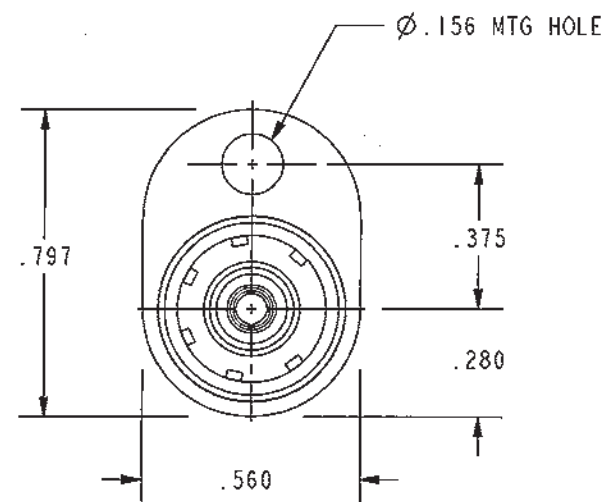
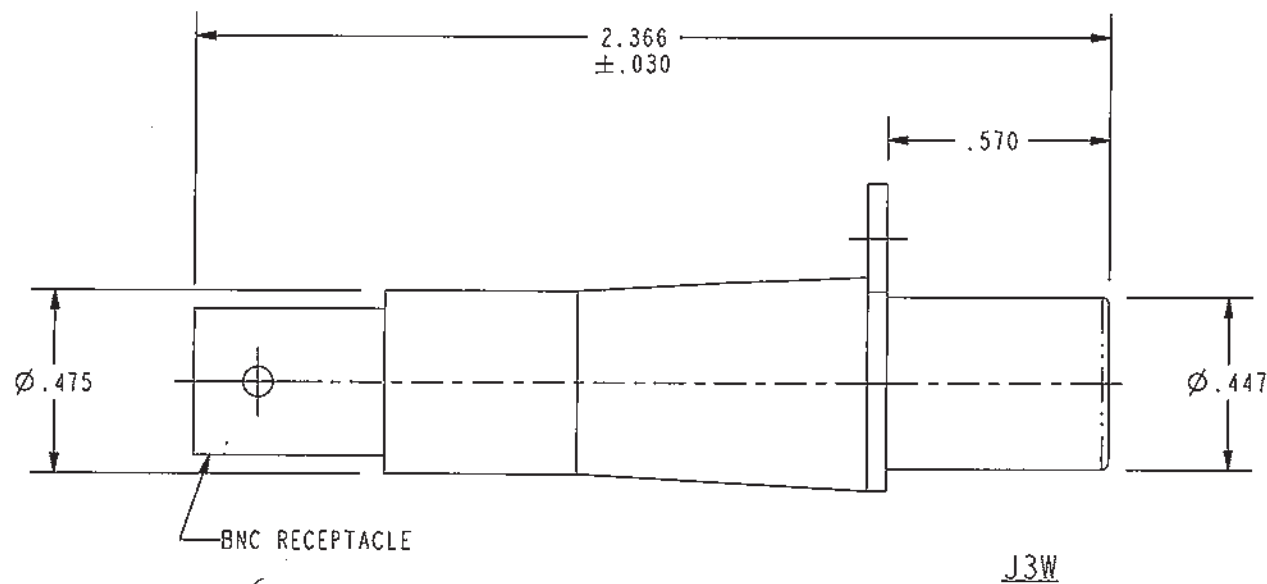


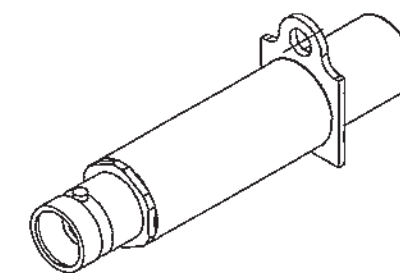
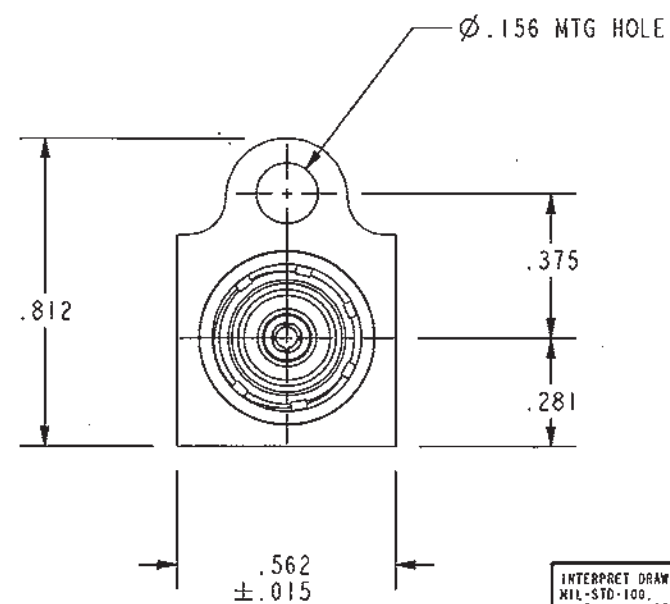
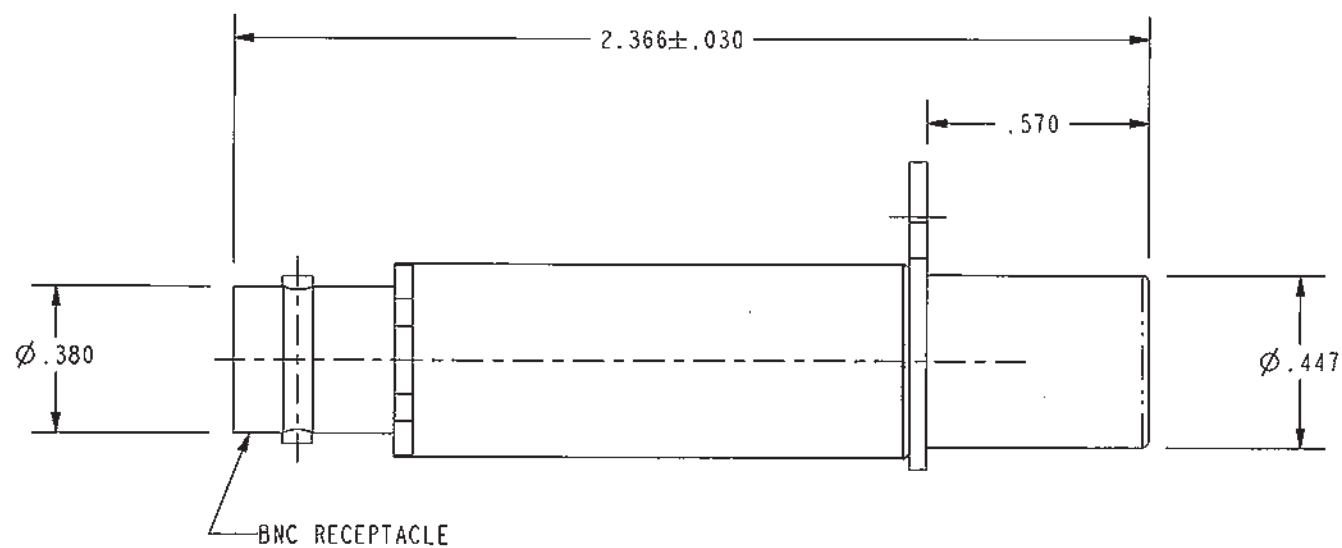
MODEL	APPLICATION	
	IMPD	PIN SIZE
J3	50Ω	.070 (RCA)
J3W	75Ω	.090 (W.E.CO.)

DATA CONTAINED IN THIS DOCUMENT IS PROPRIETARY OF TROMPETER ELECTRONICS INC. AND SHALL NOT BE DISCLOSED, COPIED OR USED FOR PROCUREMENT OR MANUFACTURE WITHOUT EXPRESS WRITTEN PERMISSION.

REVISIONS			
REV	DESCRIPTION	DATE	APPROVED
P	REVISED PER ECO #14374	2-7-02	MM



SCALE 1/1



SCALE 1/1

J3

RED INDICATES ORIGINAL

2. FINISH: TFS-1A (NICKEL)

1. 50 & 75 Ω COAXIAL PATCH JACK WITH BNC RECEPTACLE

NOTES: UNLESS OTHERWISE SPECIFIED.

INTERPRET DRAWING PER MIL-STD-100 DIMENSIONS ARE IN INCHS AND INCLUDE FINISH THICKNESS UNLESS OTHERWISE SPECIFIED

TOL: UNLESS SPECIFIED
 .XX ± .02
 .XXX ± .010
 ANGLE ± 1°

DRN	PD	1-31-02	MATERIAL
CHK	JLM	2-7-02	
QUALITY		2-7-02	FINISH
MANUF		2-7-02	
APPROVED		2/7/02	
PROJ FILE NO.	1-0100		

TROMPETER
 RF connectivity
 a cinch connectivity solutions brand

TITLE: J3/J3W			
SIZE	CAGE CODE	DRAWING NO.	REV
B	14949	1-0100	P
SCALE	DATE	SHEET	IC
2/1			

NEXT ASSY

DO NOT SCALE DWG