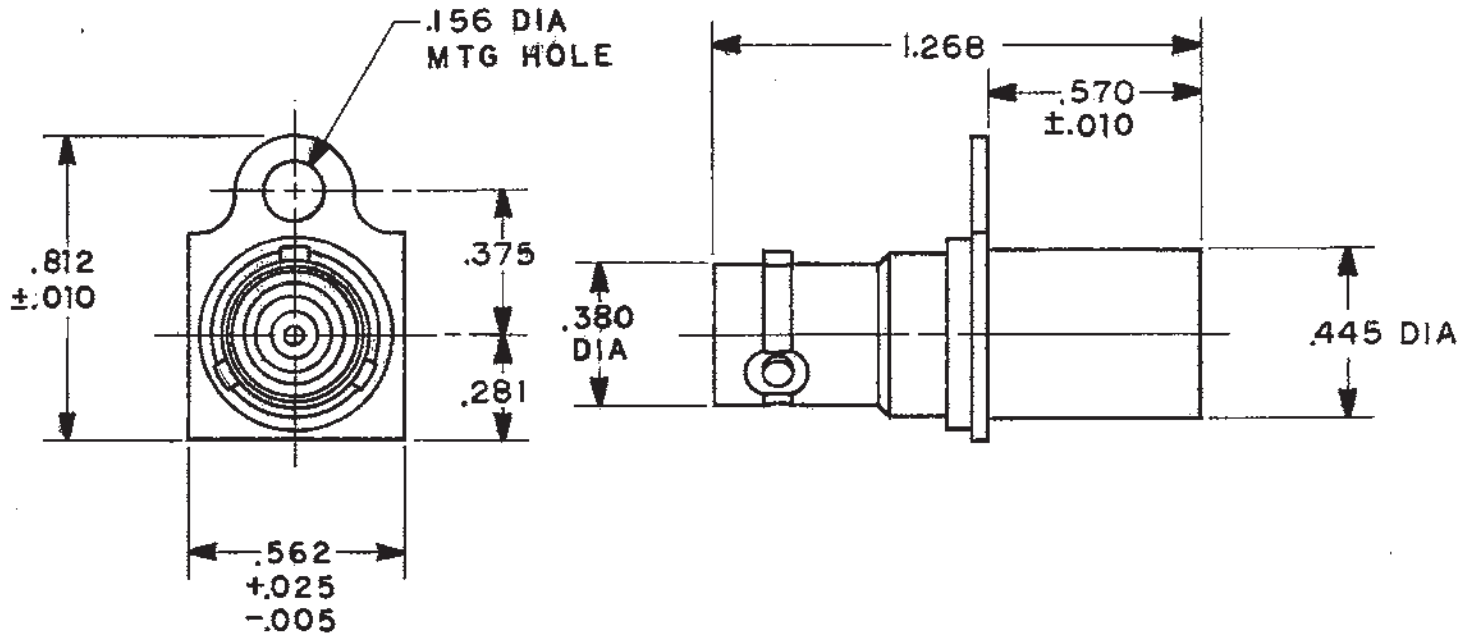


DATA CONTAINED IN THIS DOCUMENT IS PROPRIETARY TO TROMPETER ELECTRONICS INC. AND SHALL NOT BE DISCLOSED, COPIED OR USED FOR PROCUREMENT OR MANUFACTURE WITHOUT EXPRESS WRITTEN PERMISSION.

REVISIONS			3-0005 SH 1		
REV	EO	DESCRIPTION	DWN	APPROVED	DATE
C	5814	REV & REDWN	BAT	<i>R. T. W.</i>	7-12-83
D	8139	REV L/M & DWG NO WAS 3000-0005	DKC	<i>OK; BMM</i>	6-29-88
E	8218	DIM .570 WAS .550	DJK	<i>OK; BMM</i>	12-15-88

INCH	MM
.005	0.13
.010	0.25
.025	0.64
.156	3.96
.281	7.14
.375	9.53
.380	9.65
.445	11.30
.562	14.27
.570	14.48
.812	20.62
1.268	32.21




3. CONCENTRIC TWINAX/TRIAX PATCH JACK WITH TRB REAR ENTRY

2. FINISH: TFS-IA (NICKEL)

1. ALL DIM ARE IN INCHES

155-0557
155-0511
155-0475
NEXT ASSY

QTY	DESCRIPTION	PART NUMBER	ITEM
TOL UNLESS SPECIFIED .XX ± .XXX ± .005 .XXXX ± ANGLES ±		 J72	
DWN	BAT 2-18-83		
CHK	<i>BT</i> 3-7-83	—	14949
ENGR	<i>TW</i> 7-11-83	DRAWING NO. 3-0005	
APPR	<i>BT</i> 7-12-83	SCALE 2/1	DATE 12-9-66 SHEET 1 OF 2
		REV E	