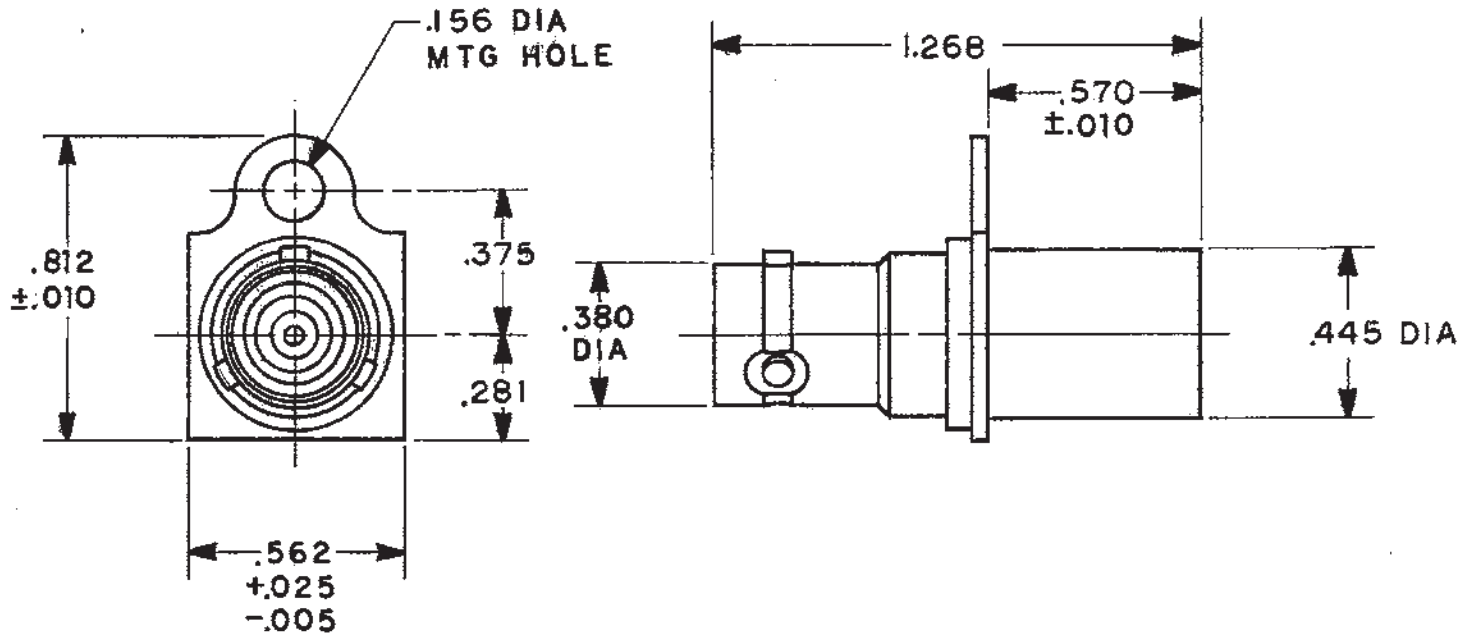


DATA CONTAINED IN THIS DOCUMENT IS PROPRIETARY TO TROMPETER ELECTRONICS INC. AND SHALL NOT BE DISCLOSED, COPIED OR USED FOR PROCUREMENT OR MANUFACTURE WITHOUT EXPRESS WRITTEN PERMISSION.

| REVISIONS |      |                                | 3-0005 |                | SH 1     |
|-----------|------|--------------------------------|--------|----------------|----------|
| REV       | EO   | DESCRIPTION                    | DWN    | APPROVED       | DATE     |
| C         | 5814 | REV & REDWN                    | BAT    | <i>R. TW</i>   | 7-12-83  |
| D         | 8139 | REV L/M & DWG NO WAS 3000-0005 | DKC    | <i>OK; BMM</i> | 6-29-88  |
| E         | 8218 | DIM .570 WAS .550              | DJK    | <i>OK; BMM</i> | 12-15-88 |

| INCH  | MM    |
|-------|-------|
| .005  | 0.13  |
| .010  | 0.25  |
| .025  | 0.64  |
| .156  | 3.96  |
| .281  | 7.14  |
| .375  | 9.53  |
| .380  | 9.65  |
| .445  | 11.30 |
| .562  | 14.27 |
| .570  | 14.48 |
| .812  | 20.62 |
| 1.268 | 32.21 |




3. CONCENTRIC TWINAX / TRIAX PATCH JACK WITH TRB REAR ENTRY

2. FINISH: TFS-IA (NICKEL)

1. ALL DIM ARE IN INCHES

|           |
|-----------|
| 155-0557  |
| 155-0511  |
| 155-0475  |
| NEXT ASSY |

| QTY   | DESCRIPTION       | PART NUMBER  | ITEM         |
|---|-------------------|--|--------------|
| TOL UNLESS SPECIFIED<br>.XX ±<br>.XXX ± .005<br>.XXXX ±<br>ANGLES ± |                   | <br>J72 |              |
| DWN   | BAT 2-18-83       |  |              |
| CHK   | <i>BT</i> 3-7-83  | —  | 14949        |
| ENGR  | <i>TM</i> 7-11-83 | DRAWING NO. 3-0005   |              |
| APPR  | <i>BT</i> 7-12-83 | SCALE 2/1  | DATE 12-9-66 |
|   |                   | SHEET 1 OF 2   |              |