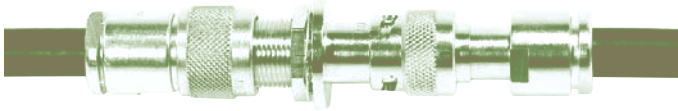
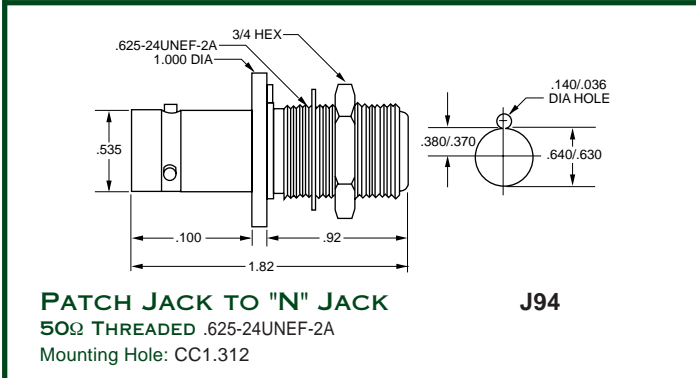
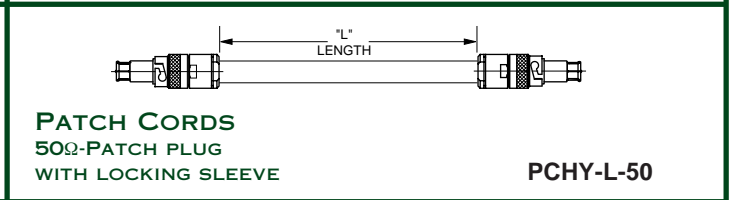
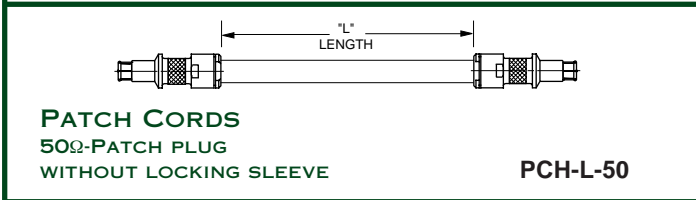
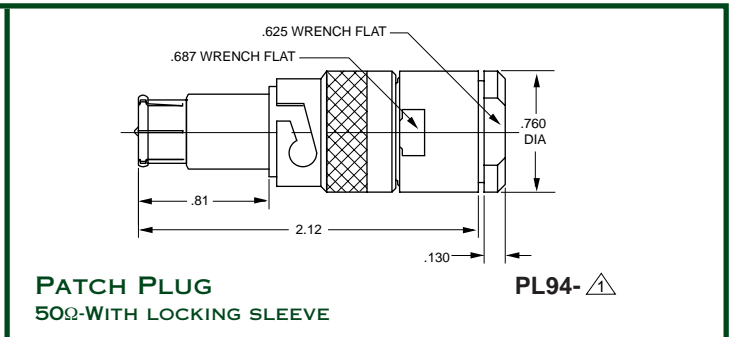
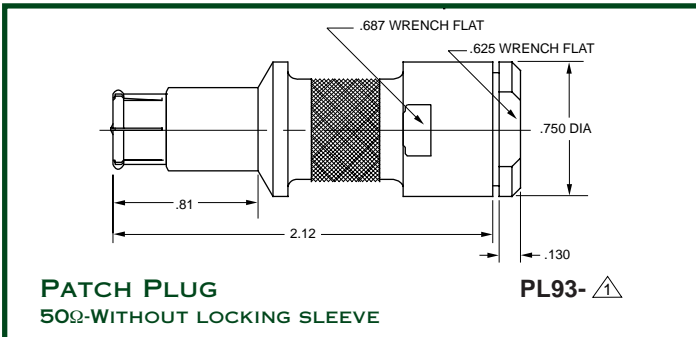


LOW VSWR CONNECTORS



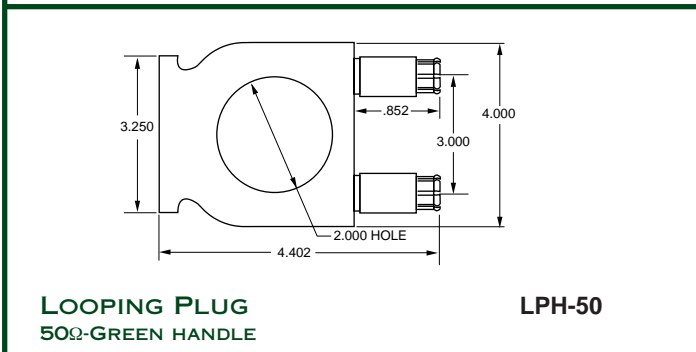
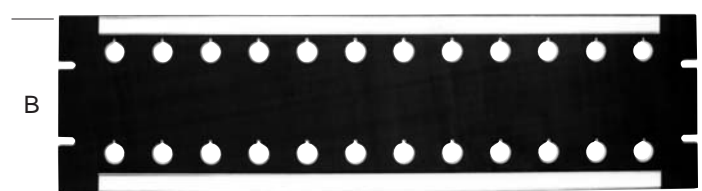
"N" Plug Patch Jack Patch Plug

Trompeter's 50Ω low VSWR (1.11:1) patching system has been developed for use at frequencies up to 3GHz and at power levels up to 500 watts. J94 jack accepts a "N" male plug in back and the PL93 or PL94 in the front of the panels shown, or a custom panel of your own design. Patch plugs incorporate a push-fit design that snap into position in the jack and are available with, or without a bayonet locking feature. Normal jack spacing is 3" center-to-center. For a minimum bend radius when patching adjacent jacks, use Trompeter standard patch cords made with RG8 cable with a minimum length of 14". Otherwise the minimum length is 18". Panels loaded at no additional cost.



PANELS FOR J94

# of Holes	Notching	Panel Type	Height	Part#
12	Open	Common Ground	A = 1.75"	JSH-12
12	Closed	Insulated	A = 1.75"	JSHI-12
24	Open	Common Ground	B = 5.25"	JSH-24
24	Closed	Insulated	B = 5.25"	JSHI-24



"L"-replace with length in inches. ⚠ - Refers to cable group table, see pages 91-133. "D" mounting hole, page 54. For standard panels see pages 51-54.