

**RADIATION HARDENED
 NPN SILICON SWITCHING TRANSISTOR**
Qualified per MIL-PRF-19500/255

DEVICES

2N2221A	2N2222A
2N2221AL	2N2222AL
2N2221AUA	2N2222AUA
2N2221AUB	2N2222AUB
2N2221AUBC	2N2222AUBC

LEVELS

- JANSM – 3K Rads (Si)**
- JANSD – 10K Rads (Si)**
- JANSP – 30K Rads (Si)**
- JANSL – 50K Rads (Si)**
- JANSR – 100K Rads (Si)**
- JANSF – 300K Rads (Si)**
- JANSG – 500K Rads (Si)**
- JANSH – 1MEG Rads (Si)**

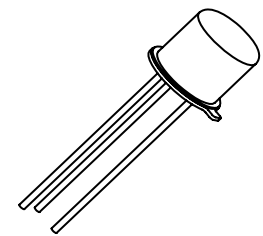
ABSOLUTE MAXIMUM RATINGS (T_C = +25°C unless otherwise noted)

Parameters / Test Conditions	Symbol	Value	Unit
Collector-Emitter Voltage	V _{CEO}	50	Vdc
Collector-Base Voltage	V _{CBO}	75	Vdc
Emitter-Base Voltage	V _{EBO}	6.0	Vdc
Collector Current	I _C	800	mAdc
Total Power Dissipation @ T _A = +25°C			
2N2221A, L 2N2222A, L	P _T	0.5	W
2N2221AUA 2N2222AUA		0.65	
2N2221AUB, UBC 2N2222AUB, UBC		0.50	
Operating & Storage Junction Temperature Range	T _{op} , T _{stg}	-65 to +200	°C

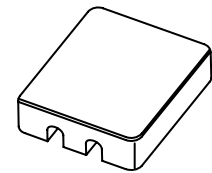
THERMAL CHARACTERISTICS

Parameters / Test Conditions	Symbol	Max.	Unit
Thermal Resistance, Junction-to-Ambient			
2N2221A, L 2N2222A, L	R _{θJA}	325	°C/W
2N2221AUA 2N2222AUA		210	
2N2221AUB, UBC 2N2222AUB, UBC		325	

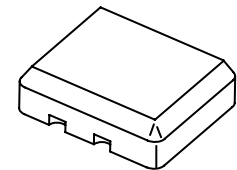
1. Derate linearly 3.08 mW/°C above T_A > +37.5°C
2. Derate linearly 4.76 mW/°C above T_A > +63.5°C



TO-18 (TO-206AA)
 2N2221A, 2N2222A



4 PIN
 2N2221AUA, 2N2222AUA



3 PIN
 2N2221AUB, 2N2222AUB
 2N2221AUBC, 2N2222AUBC
 (UBC = Ceramic Lid Version)

ELECTRICAL CHARACTERISTICS ($T_A = +25^\circ\text{C}$, unless otherwise noted)

Parameters / Test Conditions	Symbol	Min.	Max.	Unit
OFF CHARACTERISTICS				
Collector-Emitter Breakdown Voltage $I_C = 10\text{mAdc}$	$V_{(BR)CEO}$	50		Vdc
Collector-Base Cutoff Current $V_{CB} = 75\text{Vdc}$ $V_{CB} = 60\text{Vdc}$	I_{CBO}		10 10	μAdc ηAdc
Emitter-Base Cutoff Current $V_{EB} = 6.0\text{Vdc}$ $V_{EB} = 4.0\text{Vdc}$	I_{EBO}		10 10	μAdc ηAdc
Collector-Emitter Cutoff Current $V_{CE} = 50\text{Vdc}$	I_{CES}		50	ηAdc
ON CHARACTERISTICS ⁽³⁾				
Forward-Current Transfer Ratio $I_C = 0.1\text{mAdc}$, $V_{CE} = 10\text{Vdc}$		30 50		
$I_C = 1.0\text{mAdc}$, $V_{CE} = 10\text{Vdc}$		35 75	150 325	
$I_C = 10\text{mAdc}$, $V_{CE} = 10\text{Vdc}$	h_{FE}	40 100		
$I_C = 150\text{mAdc}$, $V_{CE} = 10\text{Vdc}$		40 100	120 300	
$I_C = 500\text{mAdc}$, $V_{CE} = 10\text{Vdc}$		20 30		
Collector-Emitter Saturation Voltage $I_C = 150\text{mAdc}$, $I_B = 15\text{mAdc}$ $I_C = 500\text{mAdc}$, $I_B = 50\text{mAdc}$	$V_{CE(sat)}$		0.3 1.0	Vdc
Base-Emitter Voltage $I_C = 150\text{mAdc}$, $I_B = 15\text{mAdc}$ $I_C = 500\text{mAdc}$, $I_B = 50\text{mAdc}$	$V_{BE(sat)}$	0.6	1.2 2.0	Vdc

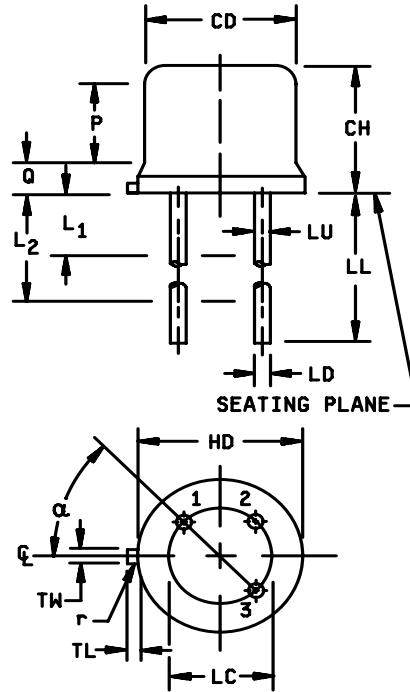
DYNAMIC CHARACTERISTICS

Parameters / Test Conditions	Symbol	Min.	Max.	Unit
Small-Signal Short-Circuit Forward Current Transfer Ratio $I_C = 1.0\text{mA}$, $V_{CE} = 10\text{Vdc}$, $f = 1.0\text{kHz}$ 2N2221A, L, UA, UB, UBC 2N2222A, L, UA, UB, UBC	h_{fe}	30 50		
Magnitude of Small-Signal Short-Circuit Forward Current Transfer Ratio $I_C = 20\text{mA}$, $V_{CE} = 20\text{Vdc}$, $f = 100\text{MHz}$	$ h_{fe} $	2.5		
Output Capacitance $V_{CB} = 10\text{Vdc}$, $I_E = 0$, $100\text{kHz} \leq f \leq 1.0\text{MHz}$	C_{obo}		8.0	pF
Input Capacitance $V_{EB} = 0.5\text{Vdc}$, $I_C = 0$, $100\text{kHz} \leq f \leq 1.0\text{MHz}$	C_{ibo}		25	pF

SWITCHING CHARACTERISTICS

Parameters / Test Conditions	Symbol	Min.	Max.	Unit
Turn-On Time See figure 8 of MIL-PRF-19500/255	t_{on}		35	ns
Turn-Off Time See Figure 9 of MIL-PRF-19500/255	t_{off}		300	ns

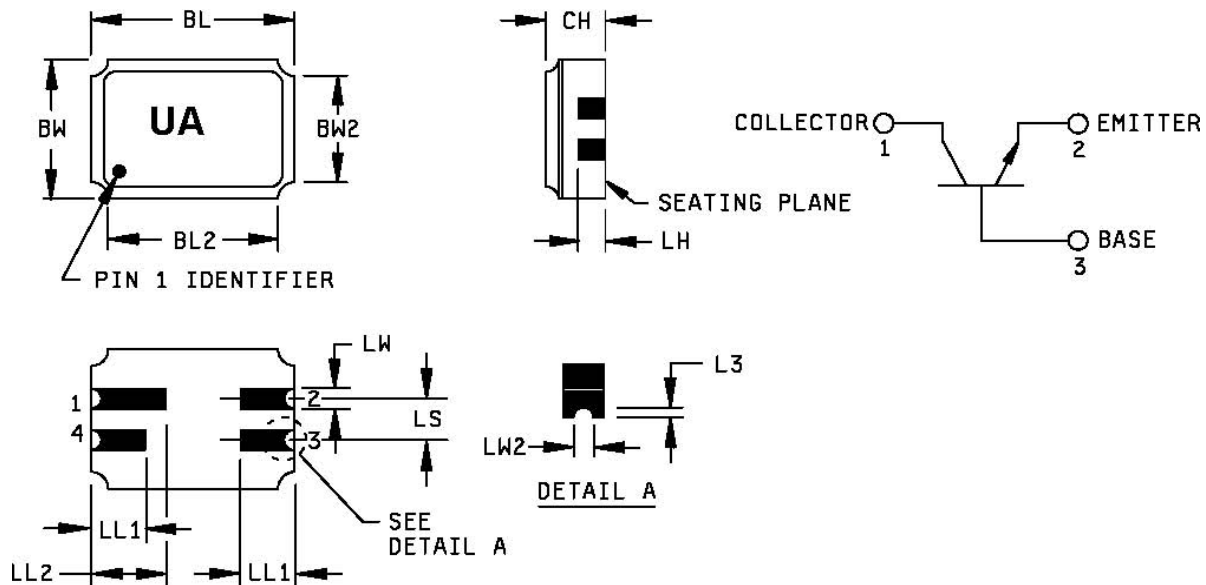
(3) Pulse Test: Pulse Width = 300 μ s, Duty Cycle \leq 2.0%.

PACKAGE DIMENSIONS

NOTES:

1. Dimensions are in inches.
2. Millimeters are given for general information only.
3. Beyond r (radius) maximum, TL shall be held for a minimum length of .011 inch (0.28 mm).
4. Dimension TL measured from maximum HD.
5. Body contour optional within zone defined by HD, CD, and Q.
6. Leads at gauge plane .054 +.001 -.000 inch (1.37 +0.03 -0.00 mm) below seating plane shall be within .007 inch (0.18 mm) radius of true position (TP) at maximum material condition (MMC) relative to tab at MMC.
7. Dimension LU applies between L₁ and L₂. Dimension LD applies between L₂ and LL minimum. Diameter is uncontrolled in L₁ and beyond LL minimum.
8. All three leads.
9. The collector shall be internally connected to the case.
10. Dimension r (radius) applies to both inside corners of tab.
11. In accordance with ASME Y14.5M, diameters are equivalent to ϕ x symbology.
12. Lead 1 = emitter, lead 2 = base, lead 3 = collector.
13. For L suffix devices, dimension LL = 1.5 inches (38.10 mm) min. and 1.75 inches (44.45 mm) max.

Symbol	Dimensions				Note
	Inches		Millimeters		
	Min	Max	Min	Max	
CD	.178	.195	4.52	4.95	
CH	.170	.210	4.32	5.33	
HD	.209	.230	5.31	5.84	
LC	.100 TP		2.54 TP		6
LD	.016	.021	0.41	0.53	7,8
LL	.500	.750	12.70	19.05	7,8,13
LU	.016	.019	0.41	0.48	7,8
L ₁		.050		1.27	7,8
L ₂	.250		6.35		7,8
P	.100		2.54		
Q		.030		0.76	5
TL	.028	.048	0.71	1.22	3,4
TW	.036	.046	0.91	1.17	3
r		.010		0.25	10
α	45° TP		45° TP		6
1, 2, 9, 11, 12, 13					

FIGURE 1. Physical dimensions (similar to TO-18).



NOTES:

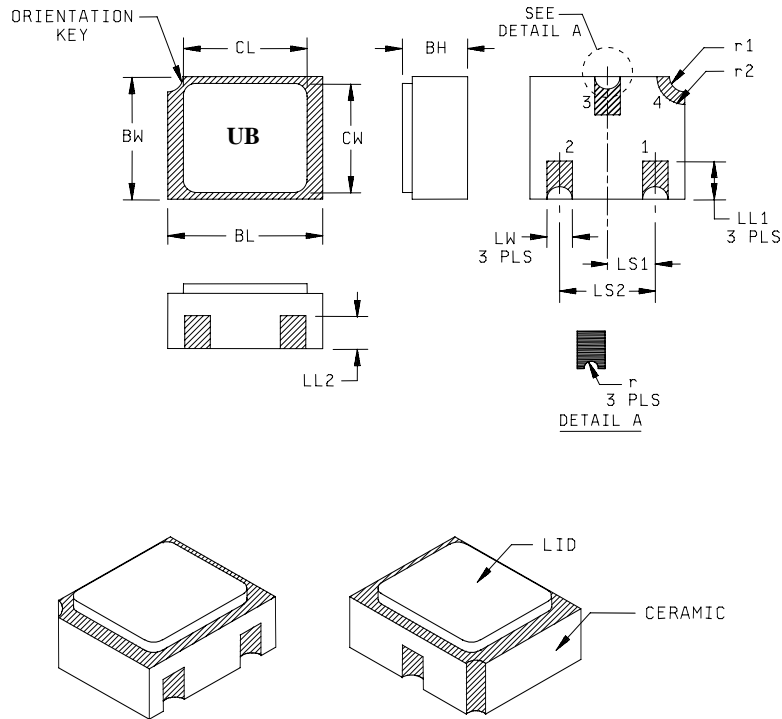
1. Dimensions are in inches.
2. Millimeters are given for general information only.
3. Dimension CH controls the overall package thickness. When a window lid is used, dimension CH must increase by a minimum of .010 inch (0.254 mm) and a maximum of .040 inch (1.020 mm).
4. The corner shape (square, notch, radius) may vary at the manufacturer's option, from that shown on the drawing.
5. Dimensions LW2 minimum and L3 minimum and the appropriate castellation length define an unobstructed three-dimensional space traversing all of the ceramic layers in which a castellation was designed. (Castellations are required on the bottom two layers, optional on the top ceramic layer.) Dimension LW2 maximum and L3 maximum define the maximum width and depth of the castellation at any point on its surface. Measurement of these dimensions may be made prior to solder dipping.
6. The co-planarity deviation of all terminal contact points, as defined by the device seating plane, shall not exceed .006 inch (0.15mm) for solder dipped leadless chip carriers.
7. In accordance with ASME Y14.5M, diameters are equivalent to ϕx symbology.

Symbol	Dimensions				Note
	Inches		Millimeters		
	Min	Max	Min	Max	
BL	.215	.225	5.46	5.71	
BL2		.225		5.71	
BW	.145	.155	3.68	3.93	
BW2		.155		3.93	
CH	.061	.075	1.55	1.90	3
L3	.003	.007	0.08	0.18	5
LH	.029	.042	0.74	1.07	
LL1	.032	.048	0.81	1.22	
LL2	.072	.088	1.83	2.23	
LS	.045	.055	1.14	1.39	
LW	.022	.028	0.56	0.71	
LW2	.006	.022	0.15	0.56	5

Pin no.	1	2	3	4
Transistor	Collector	Emitter	Base	N/C

FIGURE 2. Physical dimensions, surface mount (UA version).

6 Lake Street, Lawrence, MA 01841
 1-800-446-1158 / (978) 620-2600 / Fax: (978) 689-0803
 Website: <http://www.microsemi.com>



Symbol	Dimensions				Note
	Inches		Millimeters		
	Min	Max	Min	Max	
BH	.046	.056	1.17	1.42	
BL	.115	.128	2.92	3.25	
BW	.085	.108	2.16	2.74	
CL		.128		3.25	
CW		.108		2.74	
LL1	.022	.038	0.56	0.96	
LL2	.017	.035	0.43	0.89	

Symbol	Dimensions				Note
	Inches		Millimeters		
	Min	Max	Min	Max	
LS ₁	.036	.040	0.91	1.02	
LS ₂	.071	.079	1.81	2.01	
LW	.016	.024	0.41	0.61	
r		.008		.203	
r ₁		.012		.305	
r ₂		.022		.559	

NOTES:

1. Dimensions are in inches.
2. Millimeters are given for general information only.
3. Hatched areas on package denote metalized areas.
4. Pad 1 = Base, Pad 2 = Emitter, Pad 3 = Collector, Pad 4 = Shielding connected to the lid.
5. In accordance with ASME Y14.5M, diameters are equivalent to ϕx symbology.

FIGURE 3. Physical dimensions, surface mount (UB version)