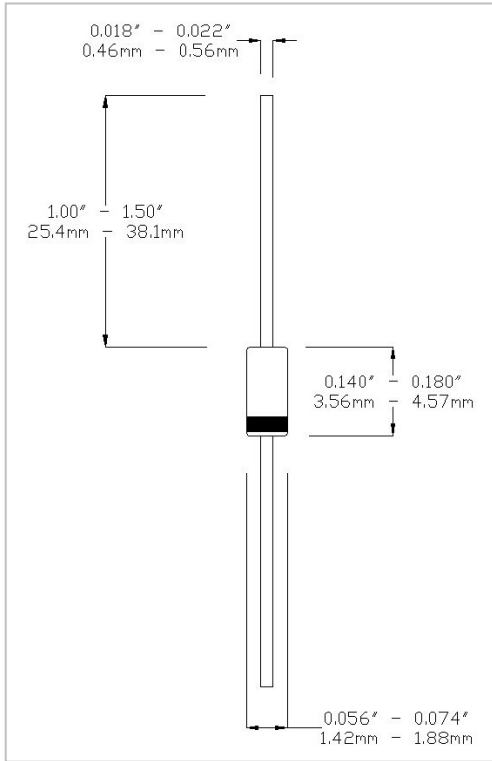


1N4938-1

FEATURES

- 1N4938-1 AVAILABLE IN JAN, JANTX, AND JANTXV PER MIL-PRF-19500/169
- SWITCHING DIODE
- METALLURGICALLY BONDED
- HERMETICALLY SEALED
- DOUBLE PLUG CONSTRUCTION



MAXIMUM RATINGS AT 25 °C

| | |
|------------------------------|---|
| Operating Temperature: | -65°C to +175°C |
| Storage Temperature: | -65°C to +175°C |
| Surge Current A, sine, 1uS: | 2.0A |
| Surge Current B, sine, 1S: | 0.5A |
| Total Power Dissipation: | 500mW |
| Operating Current: | 100mA, T _A = +25°C |
| Derating Factor: | 0.667mA/°C above T _A = +25°C |
| D.C. Reverse Voltage (VRWM): | 175V |

DC ELECTRICAL CHARACTERISTICS

| | | V _F | | I _R | | | | V _{BR} | | | |
|--------------|-------------------|----------------|-------|----------------|--------|--------|--------|-----------------|-------------------|-------|-------|
| Ambient (°C) | I _F mA | Min V | Max V | Ambient (°C) | V (dc) | Min μA | Max μA | Ambient (°C) | I _R μA | Min V | Max V |
| 25 | 100 | - | 1.0 | 25 | 175 | - | 0.1 | 25 | 100 | 200 | - |
| -55 | 100 | - | 1.2 | 150 | 175 | - | 100 | | | | |

DESIGN DATA

Case: Hermetically sealed glass package per MIL-PRF-19500/169 DO-35 outline

Lead Material: Copper clad steel

Lead Finish: Tin/Lead

Thermal Resistance (R_{θJL}): 250°C/W maximum at L=.375"

Thermal Impedance (Z_{θJX}): 70°C/W maximum

Marking: Alpha numeric.

Polarity: Cathode end is banded.

AC ELECTRICAL CHARACTERISTICS AT 25°C

| | Symbol | Min | Max |
|--|--------|-----|-----|
| Capacitance @ 0V | pF | - | 5 |
| T _{RR} @ I _F =I _R =30mA, I _{Rec} =3mA. | nsec | - | 50 |



WWW.MICROSEMI.COM

IRELAND - GORT ROAD, ENNIS, CO. CLARE

PHONE: +353 65 6840044

TOLL FREE: +186 62 702434

FAX: +353 65 6822298

U.S.A. DOMESTIC SALES CONTACT

PHONE: (617) 926 0404

TOLL FREE: 1 800 666 2999