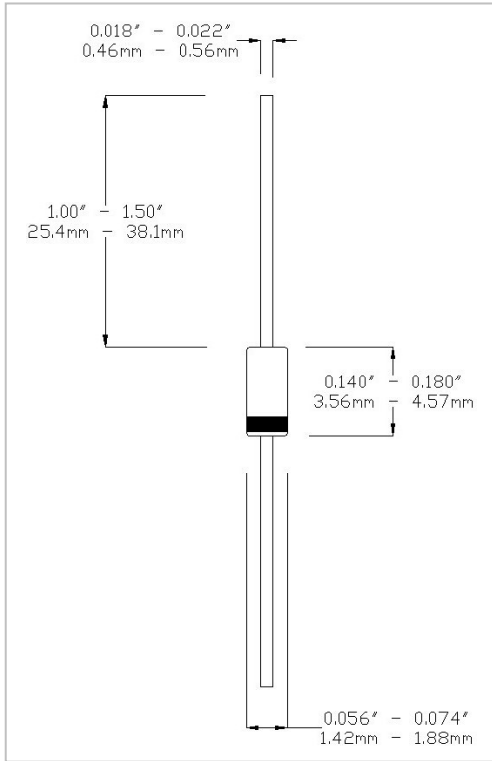


# 1N3595-1

## FEATURES

- 1N3595-1 AVAILABLE IN JAN, JANTX, AND JANTXV PER MIL-PRF-19500/241
- SWITCHING DIODE
- METALLURGICALLY BONDED
- HERMETICALLY SEALED
- DOUBLE PLUG CONSTRUCTION



## MAXIMUM RATINGS AT 25 °C

Operating Temperature:	-65°C to +175°C
Storage Temperature:	-65°C to +175°C
Surge Current A, sine 1S:	500mA
Surge Current A, sine 1uS:	4A
Total Power Dissipation:	500mW
Operating Current:	150mA, T <sub>A</sub> = +25°C
Derating Factor:	1mA/°C above +25°C
D.C. Reverse Voltage (VRWM):	125V

## DC ELECTRICAL CHARACTERISTICS

V <sub>F</sub>				I <sub>R</sub>				V <sub>BR</sub>			
Ambient (°C)	I <sub>F</sub> mA	Min V	Max V	Ambient (°C)	V <sub>R</sub> V (dc)	Min μA	Max μA	Ambient (°C)	I <sub>R</sub> μA	Min V	Max V
25	1	0.52	0.68	25	125	-	0.001	-55	100	150	-
25	5	0.60	0.75	150	125	-	3.000				
25	10	0.65	0.80								
25	50	0.74	0.88								
25	100	0.79	0.92								
25	200	0.83	1.00								

## DESIGN DATA

**Case:** Hermetically sealed glass package per MIL-PRF-19500/241 DO-35 outline

**Lead Material:** Copper clad steel

**Lead Finish:** Tin/Lead

**Thermal Impedance (Z<sub>θJX</sub>):** 70°C/W maximum

**Marking:** Blue body coat, Black digits.

**Polarity:** Cathode end is banded.

## AC ELECTRICAL CHARACTERISTICS AT 25°C

	Symbol	Min	Max
Capacitance @ 0V	pF	-	8.0
T <sub>RR</sub> @ I <sub>F</sub> =10mA, V <sub>R</sub> =35V	usec	-	3.0



WWW.MICROSEMI.COM

IRELAND - GORT ROAD, ENNIS, CO. CLARE

PHONE: +353 65 6840044  
TOLL FREE: +186 62 702434  
FAX: +353 65 6822298

U.S.A. DOMESTIC SALES CONTACT

PHONE: (617) 926 0404  
TOLL FREE: 1 800 666 2999