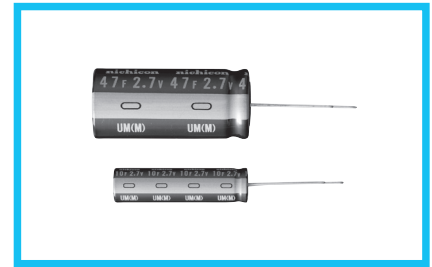
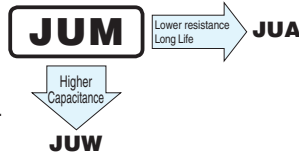


JUM

Radial Lead Type, Standard

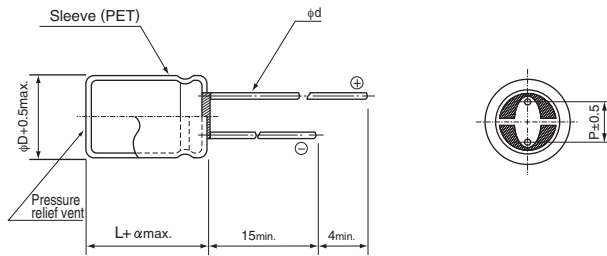
- Standard type (2.7V).
- Suitable for quick charge and discharge.
- Wide temperature range (− 25 to +70°C).
- Compliant to the RoHS directive (2011/65/EU,(EU)2015/863).



Specifications

Item	Performance Characteristics	
Category Temperature Range	− 25 to +70°C	
Rated Voltage Range	2.7V	
Rated Capacitance Range	1 to 47F See Note	
Capacitance Tolerance	±20% , 20°C	
Stability at Low Temperature	Capacitance (− 25°C) / Capacitance (+20°C) ×100 ≥ 70% ESR (− 25°C) / ESR (+20°C) ≤ 4	
ESR, DCR*	Refer to the table below (20°C). *DC internal resistance	
Endurance	Capacitance change	Within ±30% of the initial capacitance value
	ESR	300% or less than the initial specified value
Shelf Life	Capacitance change	Within ±30% of the initial capacitance value
	ESR	300% or less than the initial specified value
Humidity Endurance	Capacitance change	Within ±30% of the initial capacitance value
	ESR	300% or less than the initial specified value
Marking	Printed with white color letter on black sleeve.	

Drawing

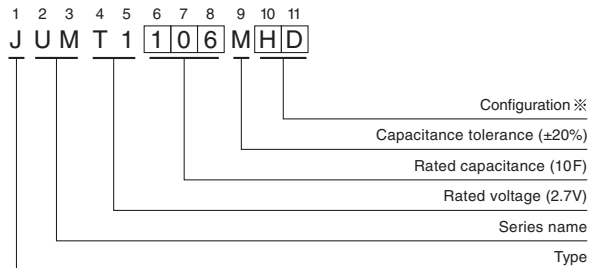


	(mm)				
φD	8	10	12.5	16	18
P	3.5	5.0	5.0	7.5	7.5
φd	0.6	0.6	0.6*	0.8	0.8

※ In case L>25 for the φ12.5 dia unit, lead dia φd=0.8

α	(φD < 10) 1.5
	(φD ≥ 10) 2.0

Type numbering system (Example : 2.7V 10F)



※ Configuration

φ D	Pb-free lead finishing Pb-free PET sleeve
8 - 10	PD
12.5 to 18	HD

- Please refer to the Guidelines for Aluminum Electrolytic Capacitors for end seal configuration information.

Dimensions

Rated Voltage (Code)	Rated Capacitance (F)	Code	ESR (Ω) (at 1kHz)	DCR※ Typical (Ω)	Case size φ D × L (mm)
2.7V (T1)	1	105	1.8	3	8 × 11.5
	2.2	225	1.0	1.3	8 × 20
	3.3	335	0.6	1.0	10 × 20
	4.7	475	0.4	0.6	12.5 × 20
	10	106	0.2	0.25	12.5 × 31.5
	22	226	0.07	0.13	16 × 31.5
	33	336	0.06	0.08	18 × 31.5
	47	476	0.05	0.06	18 × 40

Note :

The capacitance calculated from discharge time (ΔT) with constant current (i) after 30minute charge with rated voltage (2.7V).

The discharge current (i) is 0.01 × rated capacitance (F).

The discharge time (ΔT) measured between 2V and 1V with constant current.

The capacitance calculated below.

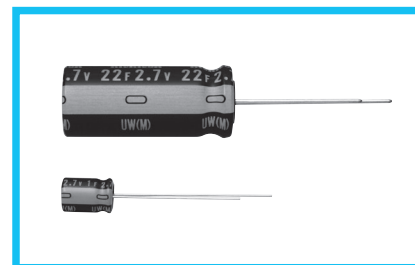
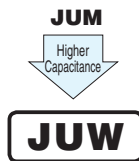
$$\text{Capacitance (F)} = i \times \Delta T$$

※ The listed DCR value is typical and therefore not a guaranteed value.

JUW

Radial Lead Type, High Capacitance

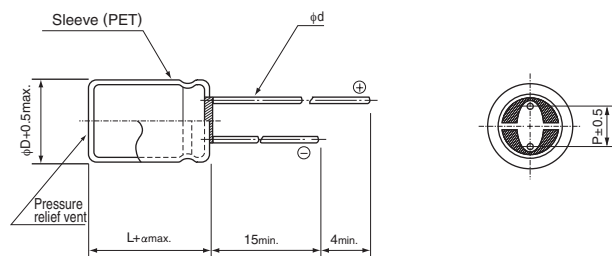
- High Capacitance type (2.7V).
- Higher capacitance than JUM.
- Wide temperature range (− 25 to +70°C).
- Compliant to the RoHS directive (2011/65/EU,(EU)2015/863).



Specifications

Item	Performance Characteristics					
Category Temperature Range	− 25 to +70°C					
Rated Voltage	2.7V					
Rated Capacitance Range	1 to 82F See Note					
Capacitance Tolerance	±20% , 20°C					
Stability at Low Temperature	Capacitance (− 25°C) / Capacitance (+20°C) ×100 ≥ 70% ESR (− 25°C) / ESR (+20°C) ≤ 4					
ESR, DCR*	Refer to the table below (20°C). *DC internal resistance					
Endurance	The specifications listed at right shall be met when the capacitors are restored to 20°C after the rated voltage is applied for 1000 hours at 70°C.	<table border="1"> <tr> <td>Capacitance change</td> <td>Within ±30% of the initial capacitance value</td> </tr> <tr> <td>ESR</td> <td>300% or less than the initial specified value</td> </tr> </table>	Capacitance change	Within ±30% of the initial capacitance value	ESR	300% or less than the initial specified value
	Capacitance change	Within ±30% of the initial capacitance value				
ESR	300% or less than the initial specified value					
Shelf Life	The specifications listed at right shall be met when the capacitors are restored to 20°C after storing the capacitors under no load for 1000 hours at 70°C.	<table border="1"> <tr> <td>Capacitance change</td> <td>Within ±30% of the initial capacitance value</td> </tr> <tr> <td>ESR</td> <td>300% or less than the initial specified value</td> </tr> </table>	Capacitance change	Within ±30% of the initial capacitance value	ESR	300% or less than the initial specified value
	Capacitance change	Within ±30% of the initial capacitance value				
ESR	300% or less than the initial specified value					
Humidity Endurance	The specifications listed at right shall be met when the capacitors are restored to 20°C after the rated voltage is applied for 500 hours at 40°C 90%RH.	<table border="1"> <tr> <td>Capacitance change</td> <td>Within ±30% of the initial capacitance value</td> </tr> <tr> <td>ESR</td> <td>300% or less than the initial specified value</td> </tr> </table>	Capacitance change	Within ±30% of the initial capacitance value	ESR	300% or less than the initial specified value
	Capacitance change	Within ±30% of the initial capacitance value				
ESR	300% or less than the initial specified value					
Marking	Printed with white color letter on black sleeve.					

Drawing



	φD	6.3	8	10	12.5	16	18
P	2.5	3.5	5.0	5.0	7.5	7.5	
φd	0.5	0.6	0.6 [※]	0.6 [※]	0.8	0.8	

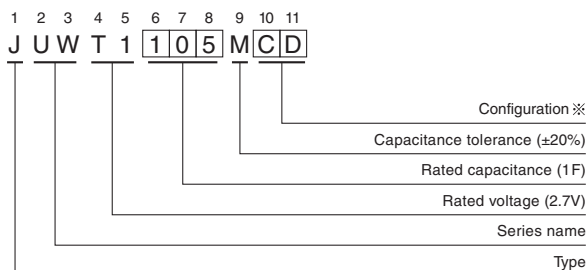
(mm)

α	(φD < 10)	1.5
	(φD ≥ 10)	2.0

※ In case L>25 for the φ10 and φ12.5 dia unit, lead dia φd=0.8

- Please refer to the Guidelines for Aluminum Electrolytic Capacitors for end seal configuration information.

Type numbering system (Example : 2.7V 1F)



※ Configuration

φ D	Pb-free lead finishing Pb-free PET sleeve
6.3	CD
8 - 10	PD
12.5 to 18	HD

Dimensions

Rated Voltage (Code)	Rated Capacitance (F)	Code	ESR (Ω) (at 1kHz)	DCR※ Typical (Ω)	Case size φ D × L (mm)
2.7V (T1)	1.0	105	1.8	4	6.3 × 9
	1.5	155	1.2	2.5	8 × 11.5
	2.7	275	0.6	1.2	8 × 20
	3.3	335	0.5	1.1	10 × 12.5
	4.7	475	0.4	0.8	10 × 20
	6.8	685	0.3	0.7	12.5 × 20
	12	126	0.3	0.6	10 × 31.5
	22	226	0.2	0.4	12.5 × 31.5
	33	336	0.12	0.28	16 × 31.5
	47	476	0.1	0.22	18 × 31.5
82	826	0.06	0.13	18 × 40	

※ The listed DCR value is typical and therefore not a guaranteed value.

Note :

The capacitance calculated from discharge time (ΔT) with constant current (i) after 30minute charge with rated voltage (2.7V).

The discharge current (i) is 0.01 × rated capacitance (F).

The discharge time (ΔT) measured between 2V and 1V with constant current.

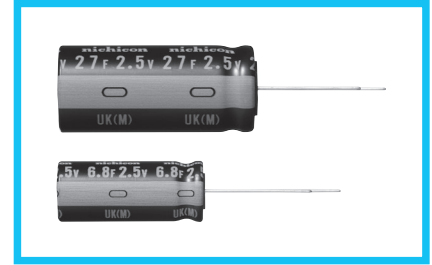
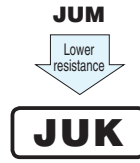
The capacitance calculated below.

$$\text{Capacitance (F)} = i \times \Delta T$$

JUK

Radial Lead Type, Lower Resistance

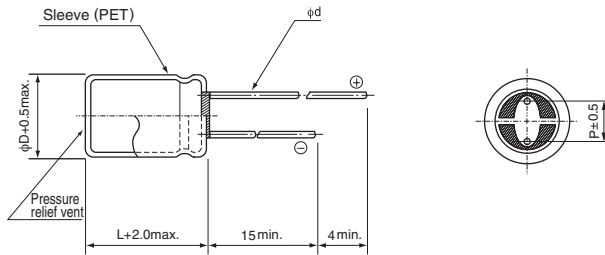
- Lower resistance type of JUM.
- Suited for Smart Meters.
- Lower temperature range (− 40 to +70°C).
- Compliant to the RoHS directive (2011/65/EU,(EU)2015/863).



Specifications

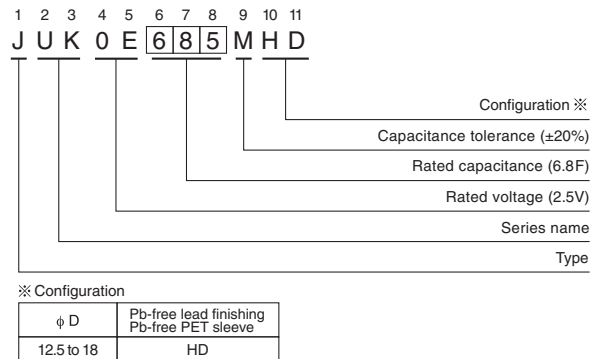
Item	Performance Characteristics					
Category Temperature Range	− 40 to +70°C					
Rated Voltage	2.5V					
Rated Capacitance	6.8 to 27F See Note					
Capacitance Tolerance	±20% , 20°C					
Stability at Low Temperature	Capacitance (− 40°C) / Capacitance (+20°C) ×100 ≥ 70% ESR (− 40°C) / ESR (+20°C) ≤ 7					
ESR, DCR*	Refer to the table below (20°C). *DC internal resistance					
Endurance	The specifications listed at right shall be met when the capacitors are restored to 20°C after the rated voltage is applied for 1000 hours at 70°C.	<table border="1"> <tr> <td>Capacitance change</td> <td>Within ±30% of the initial capacitance value</td> </tr> <tr> <td>ESR</td> <td>300% or less than the initial specified value</td> </tr> </table>	Capacitance change	Within ±30% of the initial capacitance value	ESR	300% or less than the initial specified value
	Capacitance change	Within ±30% of the initial capacitance value				
ESR	300% or less than the initial specified value					
Shelf Life	The specifications listed at right shall be met when the capacitors are restored to 20°C after storing the capacitors under no load for 1000 hours at 70°C.	<table border="1"> <tr> <td>Capacitance change</td> <td>Within ±30% of the initial capacitance value</td> </tr> <tr> <td>ESR</td> <td>300% or less than the initial specified value</td> </tr> </table>	Capacitance change	Within ±30% of the initial capacitance value	ESR	300% or less than the initial specified value
	Capacitance change	Within ±30% of the initial capacitance value				
ESR	300% or less than the initial specified value					
Humidity Endurance	The specifications listed at right shall be met when the capacitors are restored to 20°C after the rated voltage is applied for 500 hours at 40°C 90%RH.	<table border="1"> <tr> <td>Capacitance change</td> <td>Within ±30% of the initial capacitance value</td> </tr> <tr> <td>ESR</td> <td>300% or less than the initial specified value</td> </tr> </table>	Capacitance change	Within ±30% of the initial capacitance value	ESR	300% or less than the initial specified value
	Capacitance change	Within ±30% of the initial capacitance value				
ESR	300% or less than the initial specified value					
Marking	Printed with white color letter on black sleeve.					

Drawing



	(mm)		
φD	12.5	16	18
P	5.0	7.5	7.5
φd	0.8	0.8	0.8

Type numbering system (Example : 2.5V 6.8F)



- Please refer to the Guidelines for Aluminum Electrolytic Capacitors for end seal configuration information.

Dimensions

Rated Voltage (Code)	Rated Capacitance (F)	Code	ESR (Ω) (at 1kHz)	DCR※ Typical (Ω)	Case size φ D × L (mm)
2.5V (0E)	6.8	685	0.075	0.085	12.5 × 31.5
	12	126	0.060	0.065	16 × 31.5
	18	186	0.055	0.055	18 × 31.5
	27	276	0.040	0.035	18 × 40

Note :

The capacitance calculated from discharge time (ΔT) with constant current (i) after 30minute charge with rated voltage (2.5V).

The discharge current (i) is 0.01 × rated capacitance (F).

The discharge time (ΔT) measured between 2V and 1V with constant current.

The capacitance calculated below.

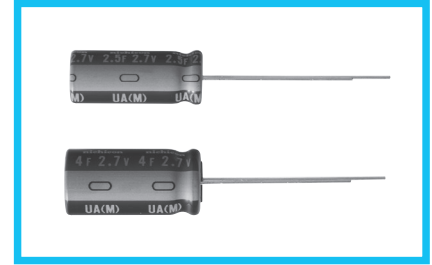
$$\text{Capacitance (F)} = i \times \Delta T$$

※ The listed DCR value is typical and therefore not a guaranteed value.

JUA

Radial Lead Type, Lower Resistance, Long Life

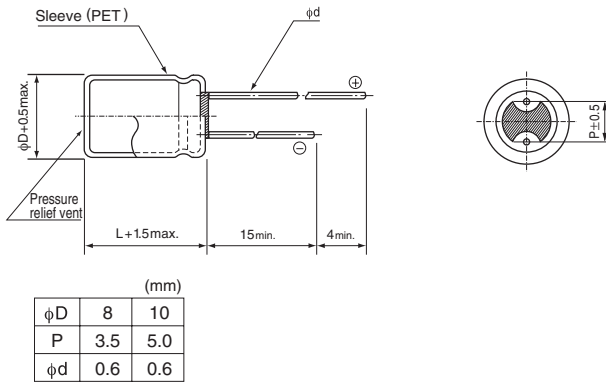
- Lower resistance and long life type of JUM.
- Lower temperature range (− 40 to +70°C).
- Load life of 2000hours at 70°C.
- Compliant to the RoHS directive (2011/65/EU,(EU)2015/863).



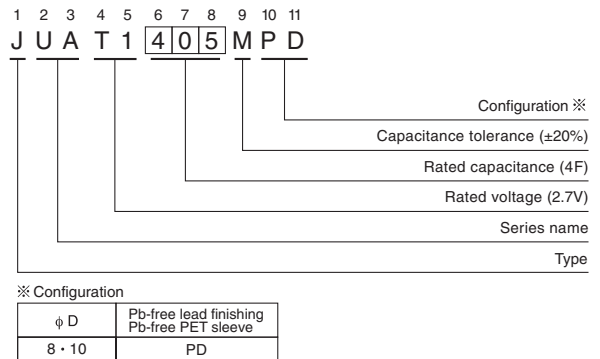
Specifications

Item	Performance Characteristics					
Category Temperature Range	− 40 to +70°C					
Rated Voltage	2.7V					
Rated Capacitance	1.2 to 4.7F See Note					
Capacitance Tolerance	±20% , 20°C					
Stability at Low Temperature	Capacitance (− 40°C) / Capacitance (+20°C) ×100 ≥ 70% ESR (− 40°C) / ESR (+20°C) ≤ 7					
ESR	Refer to the table below (20°C).					
Endurance	The specifications listed at right shall be met when the capacitors are restored to 20°C after the rated voltage is applied for 2000 hours at 70°C.	<table border="1"> <tr> <td>Capacitance change</td> <td>Within ±30% of the initial capacitance value</td> </tr> <tr> <td>ESR</td> <td>400% or less than the initial specified value</td> </tr> </table>	Capacitance change	Within ±30% of the initial capacitance value	ESR	400% or less than the initial specified value
	Capacitance change	Within ±30% of the initial capacitance value				
ESR	400% or less than the initial specified value					
Shelf Life	The specifications listed at right shall be met when the capacitors are restored to 20°C after storing the capacitors under no load for 1000 hours at 70°C.	<table border="1"> <tr> <td>Capacitance change</td> <td>Within ±30% of the initial capacitance value</td> </tr> <tr> <td>ESR</td> <td>400% or less than the initial specified value</td> </tr> </table>	Capacitance change	Within ±30% of the initial capacitance value	ESR	400% or less than the initial specified value
	Capacitance change	Within ±30% of the initial capacitance value				
ESR	400% or less than the initial specified value					
Humidity Endurance	The specifications listed at right shall be met when the capacitors are restored to 20°C after the rated voltage is applied for 500 hours at 40°C 90%RH.	<table border="1"> <tr> <td>Capacitance change</td> <td>Within ±30% of the initial capacitance value</td> </tr> <tr> <td>ESR</td> <td>300% or less than the initial specified value</td> </tr> </table>	Capacitance change	Within ±30% of the initial capacitance value	ESR	300% or less than the initial specified value
	Capacitance change	Within ±30% of the initial capacitance value				
ESR	300% or less than the initial specified value					
Marking	Printed with white color letter on black sleeve.					

Drawing



Type numbering system (Example : 2.7V 4F)



Dimensions

Rated Voltage (Code)	Rated Capacitance (F)	Code	ESR (Ω) (at 1kHz)	DCR※ Typical (Ω)	Case size φ D × L (mm)
2.7V (T1)	1.2	125	0.40	0.40	8 × 11.5
	2.0	205	0.25	0.25	10 × 12.5
	2.5	255	0.15	0.15	8 × 20
	4.0	405	0.10	0.10	10 × 20
	4.7	475	0.15	0.13	10 × 20

Note :

The capacitance calculated from discharge time (ΔT) with constant current (i) after 30minute charge with rated voltage (2.7V).

The discharge current (i) is 0.01 × rated capacitance (F).

The discharge time (ΔT) measured between 2V and 1V with constant current.

The capacitance calculated below.

$$\text{Capacitance (F)} = i \times \Delta T$$

※ The listed DCR value is typical and therefore not a guaranteed value.



Snap-in Terminal Type

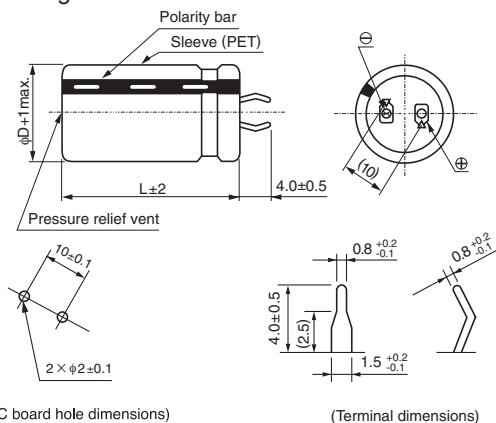
- Excellent in voltage holding property.
- Suitable for quick charge and discharge.
- Wide temperature range (− 25°C to + 60°C).
- Compliant to the RoHS directive (2011/65/EU,(EU)2015/863).



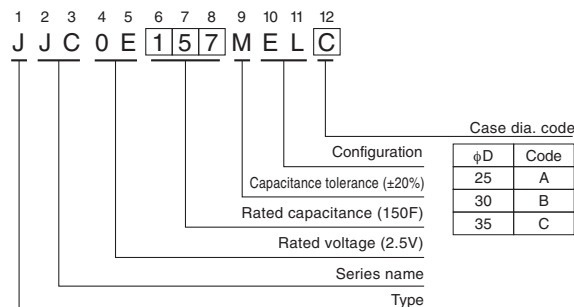
Specifications

Item	Performance Characteristics					
Category Temperature Range	− 25 to +60°C					
Rated Voltage Range	2.5V					
Rated Capacitance Range	56 to 200F See Note					
Capacitance Tolerance	±20% (20°C)					
Stability at Low Temperature	Capacitance (− 25°C) / Capacitance (+20°C) ×100 ≥ 70% ESR (− 25°C) / ESR (+20°C) ≤ 7					
ESR, DCR*	Refer to the table below (20°C). *DC internal resistance					
Endurance	The specifications listed at right shall be met when the capacitors are restored to 20°C after the rated voltage is applied for 2000 hours at 60°C.	<table border="1"> <tr> <td>Capacitance change</td> <td>Within ±30% of the initial capacitance value</td> </tr> <tr> <td>ESR</td> <td>300% or less than the initial specified value</td> </tr> </table>	Capacitance change	Within ±30% of the initial capacitance value	ESR	300% or less than the initial specified value
	Capacitance change	Within ±30% of the initial capacitance value				
ESR	300% or less than the initial specified value					
Shelf Life	The specifications listed at right shall be met when the capacitors are restored to 20°C after storing the capacitors under no load for 2000 hours at 60°C.	<table border="1"> <tr> <td>Capacitance change</td> <td>Within ±30% of the initial capacitance value</td> </tr> <tr> <td>ESR</td> <td>300% or less than the initial specified value</td> </tr> </table>	Capacitance change	Within ±30% of the initial capacitance value	ESR	300% or less than the initial specified value
	Capacitance change	Within ±30% of the initial capacitance value				
ESR	300% or less than the initial specified value					
Humidity Endurance	The specifications listed at right shall be met when the capacitors are restored to 20°C after the rated voltage is applied for 500 hours at 40°C 90%RH.	<table border="1"> <tr> <td>Capacitance change</td> <td>Within ±30% of the initial capacitance value</td> </tr> <tr> <td>ESR</td> <td>300% or less than the initial specified value</td> </tr> </table>	Capacitance change	Within ±30% of the initial capacitance value	ESR	300% or less than the initial specified value
	Capacitance change	Within ±30% of the initial capacitance value				
ESR	300% or less than the initial specified value					
Marking	Printed with white color letter on black sleeve.					

Drawing



Type numbering system (Example : 2.5V 150F)



Dimensions

Rated Voltage (code)	Cap. (F)	Cap. code	ESR(mΩ) (at 1kHz)	DCR* Typical (mΩ)	Case size φD × L (mm)		
					φ 25 (A)	φ 30 (B)	φ 35 (C)
2.5V (0E)	56	566	70	50	25 × 40	30 × 30	
	68	686	60	45			35 × 30
	82	826	60	35	25 × 50	30 × 40	
	100	107	50	30			35 × 35
	120	127	50	25		30 × 50	35 × 40
	150	157	40	22			35 × 50
	200	207	30	16			35 × 50

Note :

The capacitance calculated from discharge time (ΔT) with constant current (i) after 30minute charge with rated voltage (2.5V).

The discharge current (i) is 0.01 × rated capacitance (F). The discharge time (ΔT) measured between 2V and 1V with constant current.

The capacitance calculated below.

$$\text{Capacitance (F)} = i \times \Delta T$$

※ The listed DCR value is typical and therefore not a guaranteed value.



Screw Terminal Type, High Energy Density Type

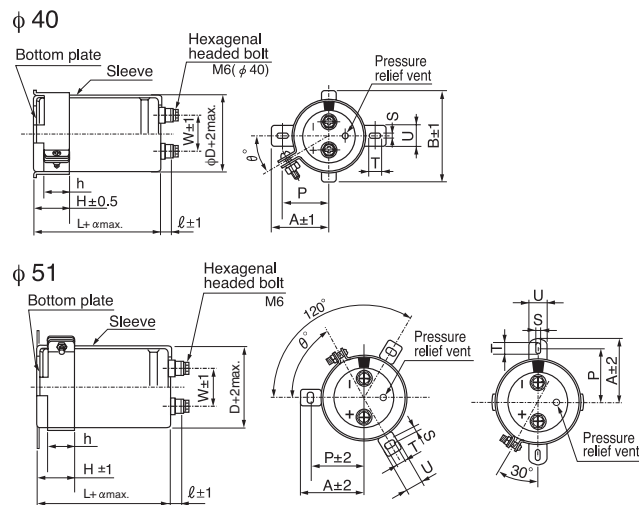
- High energy density.
- Suitable for electric power storage.
- Compliant to the RoHS directive (2011/65/EU, (EU)2015/863).



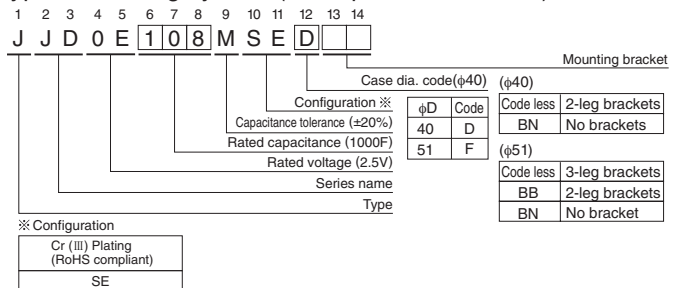
Specifications

Item	Performance Characteristics					
Category Temperature Range	- 25 to +60°C					
Rated Voltage Range	2.5V					
Rated Capacitance Range	1000 to 2500F See Note					
Capacitance Tolerance	± 20%, 20°C					
Stability at Temperature	Capacitance (- 25°C) / Capacitance (+20°C) × 100 ≥ 70% DCR (- 25°C) / DCR(+20°C) ≤ 7					
DCR*	Refer to the table below (20°C). *DC internal resistance					
Endurance	The specifications listed at right shall be met when the capacitors are restored to 20°C after the rated voltage is applied for 2000 hours at 60°C.	<table border="1"> <tr> <td>Capacitance change</td> <td>Within ±30% of the initial capacitance value</td> </tr> <tr> <td>DCR</td> <td>300% or less than the initial specified value</td> </tr> </table>	Capacitance change	Within ±30% of the initial capacitance value	DCR	300% or less than the initial specified value
	Capacitance change	Within ±30% of the initial capacitance value				
DCR	300% or less than the initial specified value					
Shelf Life	The specifications listed at right shall be met when the capacitors are restored to 20°C after storing the capacitors under no load for 2000 hours at 60°C.	<table border="1"> <tr> <td>Capacitance change</td> <td>Within ±30% of the initial capacitance value</td> </tr> <tr> <td>DCR</td> <td>300% or less than the initial specified value</td> </tr> </table>	Capacitance change	Within ±30% of the initial capacitance value	DCR	300% or less than the initial specified value
	Capacitance change	Within ±30% of the initial capacitance value				
DCR	300% or less than the initial specified value					
Humidity Endurance	The specifications listed at right shall be met when the capacitors are restored to 20°C after the rated voltage is applied for 500 hours at 40°C 90%RH.	<table border="1"> <tr> <td>Capacitance change</td> <td>Within ±30% of the initial capacitance value</td> </tr> <tr> <td>DCR</td> <td>300% or less than the initial specified value</td> </tr> </table>	Capacitance change	Within ±30% of the initial capacitance value	DCR	300% or less than the initial specified value
	Capacitance change	Within ±30% of the initial capacitance value				
DCR	300% or less than the initial specified value					
Marking	Printed with white color letter on black sleeve.					

Drawing



Type numbering system (Example : 2.5V 1000F)



Note :

The capacitance calculated from discharge time (ΔT) with constant current (i) after 30minute charge with rated voltage (2.5V).
 The discharge current (i) is $0.01 \times$ rated capacitance (F).
 The discharge time (ΔT) measured between 2V and 1V with constant current.
 The capacitance calculated below.
 Capacitance (F) = $i \times \Delta T$

- Dimensions of terminal pitch(W) and length(ℓ) and Normal dia. of bolt (mm)

ϕ D	W	ℓ	α	Nominal of bolt
40	18.8	9	3	M6
51	26.0	10	3	M6

Dimensions

Rated Voltage (Code)	Cap. (F)	Cap. code	DCR* Typical (mΩ)	Case size		Ref. Weight (g)
				ϕ (mm)	L (mm)	
2.5V (0E)	1000	108	8.0	40	105	210
	1300	138	6.0		135	250
	2300	238	4.0	51	135	450
	2500	258	3.5		142	500

* The listed DCR value is typical and therefore not a guaranteed value.

- Dimensions of mounting bracket (mm)

Symbol	Leg shape ϕ D	3-Legs		2-Legs	
		51	40	51	40
P		32.5	27	33.2	
A		38.5	32	40	
B		-	48	-	
T		7.5	7.0	6.0	
S		5.0	3.5	4.5	
U		12	10	14	
θ°		60	45	30	
H		20	17	25	
h		15	12	15	

Note)The brackets will be supplied in the separate box.