

**MAGNUM**

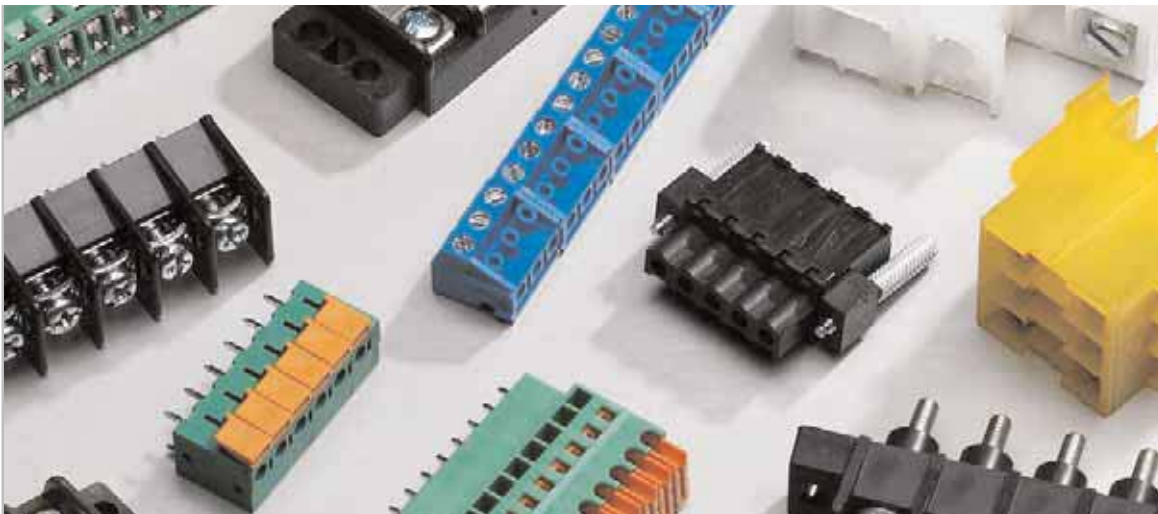


Connect  
with  
Magnum

## Product Catalog

Make Wire Connections Simple and Fast

  
**COOPER Bussmann**



## Connect with Magnum

### Proven Products for Demanding Applications

For over 50 years, the Magnum name has stood for proven products, custom solutions, quality commitment and superior service – core strengths that help build long-term relationships with our customers.

Magnum quality products support a broad range of electronic and electrical OEM applications. Our product line offers the most comprehensive selection of barrier-style terminal blocks in the industry – as well as:

- North American-style terminal blocks — single row, double row and tri-barrier
- European-style terminal blocks — PCB mount (spring, cage, tiered, high current), screwless, and pluggable
- Power distribution blocks — barrier and dead front, splicer, stud type, multi-line, and power blocks
- Rail and base mount terminal blocks
- DIN rail sectional blocks
- Junction blocks — stud type and feed through
- Edge connectors — vertical and right angle mount

**Electronic:** Our electronic products, including PCB mountable North American and Euro-Mag® terminal blocks, are found in a variety of demanding applications:

- Industrial and environmental controls
- Instrumentation
- Security and alarm systems
- Traffic signals and controls
- Telecom
- Process logic control (PLC)
- Test and measurement
- Power supplies
- Elevators and conveyors



**European-Style PCB Terminal Blocks:** Magnum Euro-Mag® blocks come in a variety

of terminal options to make connections easy and in different wire-entry orientations to solve wire routing issues. These high high-current terminal blocks handle up to 115 amps right on the circuit board and are available in mold-to-length designs to provide the exact number of poles for a specific application.



## Terminal Blocks

### Single Row

Series	Centers	Page
A5000 and CB5000	0.250"	1-2
A1000 and CB1000	0.325"	3-5
A2000, LP2000 and CB2000	0.375"	6-11
A3000, LP3000 and CB3000	0.437"	12-17
A38/B38	0.437"	18-19
A4000 and B4000	0.562"	20-22
All Series Accessories		23

### Filtered

Series	Centers	Page
F38	0.437"	24

### Double Row

Series	Centers	Page
TB100	0.375"	25-26
TB200 and TB200HB	0.437"	27-28
TB300 and TB345	0.562"	29-30
TB400	0.687"	31-32
Top and Bottom Marking Strips		33

### Standard Base

Series	Centers	Page
TSXX01, TSXX02	8.00-13.50mm	34

### Flat Base

Series	Centers	Page
TSXX03, TSXX04	8.00 and 10.00mm	35

### Raised Base

Series	Centers	Page
TSXX05, TSXX06	8.00 and 10.00mm	36

## EuroMag Series PCB Mount Terminal Blocks

Series	Centers/Type	Page
EM3123	3.50mm	38
EM2665	5.00mm	39
EM3660	5.00mm	40
EM3665	5.00mm	41
EM3675	5.00mm	42
EM3127	7.50mm	43
EM2661	10.00mm	44
EM3661	10.00mm	45
EM3671	10.00mm	46
EM3923	3.50mm	47
EM3503	3.81mm	48
EM2585	5.00mm	49
EM3225	5.00mm, 35°	50
EM2205	5.00mm, 45°	51
EM2505	5.08mm	52
EM3228	5.08mm, 35°	53
EM2507	7.50mm	54
EM3227	7.50mm, 35°	55
EM2506	7.62mm	56
EM3226	7.62mm, 35°	57
EM2403	9.52mm	58
EM2803	9.52mm, 35°	59
EM2445	5.00mm	60
EM2448	5.08mm	61
EM2855	6.35mm	62
EM2905	7.50mm	63
EM2908	7.62mm	64
EM9126	10.16mm	65
EM9127	15.00mm	66
EM9128	3.81mm, Two-Tier	67

EM2909	3.81mm, Three-Tier	68
EM2919	5.00mm, Two-Tier	69
EM2929	5.08mm, Two-Tier	70
EM2939	5.00mm, Three-Tier	71
EM3905	5.00mm, Two-Tier	72
EM3908	5.08mm, Three-Tier	73

## EuroMag Series PCB Mount Screwless Terminal Blocks

Series	Centers/Type	Page
EM2742	2.54mm	74
EM2783	3.50mm, 45°	75
EM2802	2.54mm, 30°	76
EM2785	5.00mm, 45°	77
EM2778	5.08mm	78
EM2795	5.08mm	79
EM2796	7.62mm	80
EM2791	10.16mm	81
EM2816	7.62mm, 60°	82

## EuroMag Series PCB Mount Pluggable Terminal Blocks

Series	Centers/Type	Page
EM3533	3.50mm, Plug	83
EM2221	3.50mm, Header	84
EM2413	3.50mm, Plug	85
EM2201	3.50mm, Header	86
EM3553	3.81mm, Plug	87
EM3543	3.81mm, Plug	88
EM3583	3.81mm, IDC Plug	89
EM3593	3.81mm, Header	90
EM2423	3.81mm, Plug	91
EM2443	3.81mm, Plug	92
EM2211	3.81mm, Header	93
EM2525	5.00mm, Plug	94
EM2485	5.00mm, Plug	95
EM3105	5.00mm, Plug	96
EM2535	5.00mm, Header	97
EM2565	5.08mm, Plug	98
EM2488	5.08mm, Plug	99
EM3108	5.08mm, Plug	100
EM2575	5.08mm, Header	101
EM2115	5.00mm, Plug	102
EM3115	5.00mm, Plug	103
EM2215	5.08mm, Plug	104
EM2118	5.00mm, Header	105
EM3118	5.08mm, Plug	106
EM2218	5.08mm, Header	107
EM3516	7.62mm, Plug	108
EM3526	7.62mm, Header	109
EM2416	7.62mm, Plug	110
EM2426	7.62mm, Header	111
EM5015	5.00mm, Plug	112
EM5025	5.00mm, Header	113
EM5035	5.00mm, Plug	114
EM5045	5.00mm, Header	115

Terminal Blocks:  
Single & Double Row

EuroMag Series

Terminal Blocks:  
Base & Rail Mount

Power Distribution  
Blocks

Wire Management  
Products

Edge Connectors,  
One-Strided Boards

Compliance  
References

This catalog is intended to present product data and provide technical information that will help the end user with design application. Cooper Bussmann reserves the right, without notice, to change design or construction or any products and to discontinue or limit distribution of any products. Cooper Bussmann also reserves the right to change or update, without notice, any technical information contained in this catalog. Once a product has been selected, it should be tested by the user in all possible applications. Further, Cooper Bussmann takes no responsibility for errors or omissions contained in this catalog, or for mis-application of any Cooper Bussmann product.  
©2009 Cooper Bussmann

Terminal Blocks:  
Single & Double Row

Rail Mount Terminal Blocks and Accessories		
Series	Centers	Page
NDN63	0.375"	117
NDN1	0.635"	117
NDN11	0.635"	117
NDNV4	0.250"	118
NDN3	0.300"	118
N512	0.197"	119
NFT2	0.281"	119
NFT3	0.390"	119
NC3	1.06"	120
NSE3	1.06"	120
NSS3	0.385"	120

EuroMag Series

Depluggable Rail Mount Terminal Blocks		
Series	Centers	Page
PLU3	0.390"	121
PLU1	0.625"	121
PSU1	0.625"	121

Terminal Blocks:  
Base & Rail Mount

Rail Mount Fuse Holding Terminal Blocks	
Series	Page
NDNF1	122
NDND1 (Non Fused)	122
NDFD1 (Fuse)	122
NDNFLD1 (Fused with Visual Indicator)	122

Power Distribution  
Blocks

Quick Connect Terminal Blocks		
Series	Centers	Page
NTQ23	0.390"	123
BNQ21	0.437"	123
BQQ41	0.437"	123

Wire Management  
Products

Base Mount Terminal Blocks		
Series	Centers	Page
KT3	0.390"	124
KT4	0.250"	124
PLK3	0.390"	124

Edge Connectors,  
One-Sided Boards

Disconnect Terminal Blocks		
Series	Centers	Page
15188	0.375"	125
15288	0.54"	126

Compliance  
References

Base Mount Double Row Terminal Blocks		
Series	Centers	Page
KU	0.625"	127

Quick-Connect Power Distribution Blocks		
Series	Centers	Page
11675	0.56"	128
11725	0.68"	128

Barrier Terminal Blocks	
Series	Page
14002	129

Dead Front Terminal Blocks		
Series	Centers	Page
14004	0.50"	129

Splicer Terminal Blocks	
Series	Page
160, 162, 163 and 165	130

Power Distribution Blocks	
Series	Page
Finger-Safe	131
160, 162, 163 and 16	132

Connector/Stud Power Distribution Blocks	
Series	Page
162, 163 and 165	133

Power Blocks		
Series	Centers	Page
EN	1.78"	134

Wire Management Products	
Series	Page

Photo Control Receptacle	135
--------------------------	-----

Stud Type Junction Blocks		
Series/Type	Centers	Page
C4559 and C6083	0.75"	136
C5237 and JB1032	0.625"	136-137

Power Feed Thru Terminal Blocks		
Series	Centers	Page
C7021	0.69"	138
C7024	0.750"	139

Depluggable PCB Mount Terminal Blocks		
Series	Centers	Page
15133	0.375"	140

### Edge Connectors - One-Sided Boards

Vertical Mount		
Series	Centers	Page
1384X	0.375"	141

Right Angle Mount		
Series	Centers	Page
15104	0.375"	142

Compliance References	143
-----------------------	-----

This catalog is intended to present product data and provide technical information that will help the end user with design application. Cooper Bussmann reserves the right, without notice, to change design or construction or any products and to discontinue or limit distribution of any products. Cooper Bussmann also reserves the right to change or update, without notice, any technical information contained in this catalog. Once a product has been selected, it should be tested by the user in all possible applications. Further, Cooper Bussmann takes no responsibility for errors or omissions contained in this catalog, or for mis-application of any Cooper Bussmann product.  
©2009 Cooper Bussmann



## Series A5000 & Series CB5000

### Single Row Terminal Blocks

#### SPECIFICATIONS

**Rating:** 10A, 300V\*

**Center Spacing:** 0.250" (6.35mm)

**Wire Range:** #18-30 AWG CU

**Screw Size:** #3-48 zinc-plated phillslot SEMS screws, wire-ready standard

**Torque Rating:** 4 lb-in.

**Distance Between Barriers:** 0.20" (5.08mm)

**Recommended PCB Hole Diameter:** 0.062" (1.57mm)

**Operating Temperature:** 105°C (221°F) max., -40°C (-40°F) min.

**Molded Material:** Black, UL Rated 94V0 Thermoplastic

**Breakdown Voltage:** 1600V rms

**Agency Information:** UL File E62622; CE Certified

\* Max. rating shown; some options may be rated lower – consult factory.

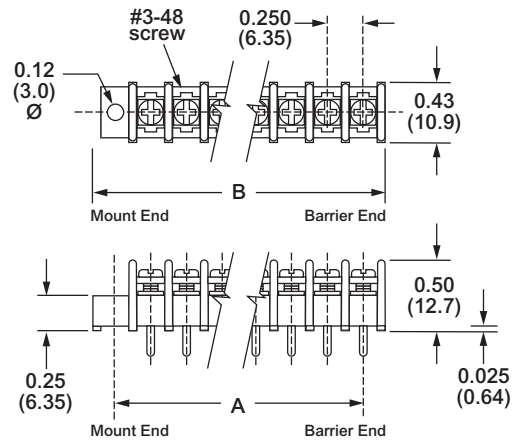


Poles	MOUNTING ENDS		BARRIER ENDS	
	A Mount Centers	B Overall Length	A Pole Centers	B Overall Length
02	0.75	1.06	0.25	0.56
03	1.00	1.31	0.50	0.81
04	1.25	1.56	0.75	1.06
05	1.50	1.81	1.00	1.31
06	1.75	2.06	1.25	1.56
07	2.00	2.31	1.50	1.81
08	2.25	2.56	1.75	2.06
09	2.50	2.81	2.00	2.31
10	2.75	3.06	2.25	2.56
11	3.00	3.31	2.50	2.81
12	3.25	3.56	2.75	3.06
13	3.50	3.81	3.00	3.31
14	3.75	4.06	3.25	3.56
15	4.00	4.31	3.50	3.81
16	4.25	4.56	3.75	4.06
17	4.50	4.81	4.00	4.31
18	4.75	5.06	4.25	4.56
19	5.00	5.31	4.50	4.81
20	5.25	5.56	4.75	5.06
21	5.50	5.81	5.00	5.31
22	5.75	6.06	5.25	5.56
23	6.00	6.31	5.50	5.81
24	6.25	6.56	5.75	6.06
25	6.50	6.81	6.00	6.31
26	6.75	7.06	6.25	6.56
27	7.00	7.31	6.50	6.81
28	7.25	7.56	6.75	7.06
29	-	-	7.00	7.31
30	-	-	7.25	7.56

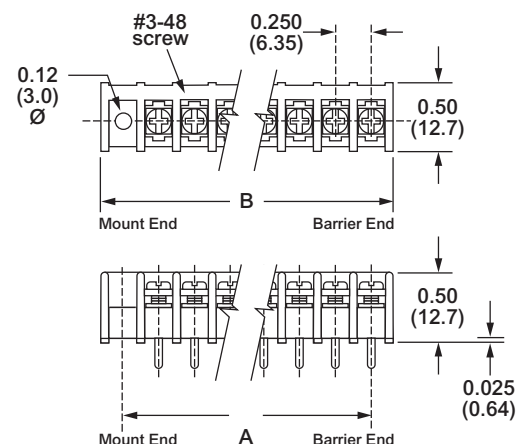
\* Dimensions in inches. To convert to millimeters, multiply by 25.4.

#### Dimensions - in (mm)

##### A5000 Series



##### CB5000 Series



Terminal Blocks:  
Single & Double Row

EuroMag Series

Terminal Blocks:  
Base & Rail Mount

Power Distribution  
Blocks

Wire Management  
Products

Edge Connectors,  
One-Strided Boards

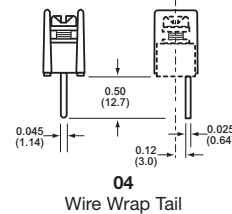
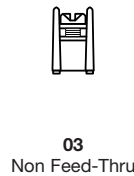
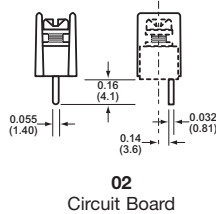
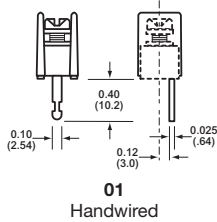
Compliance  
References

## Part Numbering System

Series	Terminal Style	Base/End	Poles	Screw Options	Options
A5					
CB5					
<b>A5</b> - standard barrier <b>CB5</b> - closed back	<b>01</b> - handwired <b>02</b> - printed circuit <b>03</b> - non feed-thru <b>04</b> - wire wrap tail	<b>1</b> - mount end <b>2</b> - barrier end	<b>02 to 30</b> <b>02 to 28</b> on mount end base	<b>07</b> - steel SEMS std. wire ready	<b>C1 to C8</b> - 0.110" QC <b>L1 to L6</b> marking options (pg 22) <b>LT1 to LT6</b> marking options (CB5 only-pg 22) <b>MP</b> - mounting plate 0.120" dia * <b>OJ</b> - over barrier jumper <b>S1</b> - single solder lug/flat <b>S2</b> - double solder lug/flat (A5 only) *Contact factory for configuration

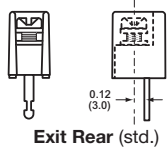
## Terminal Styles

Inches (Millimeters)



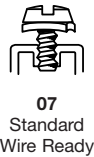
## CB5 Terminal Exit Options

Inches (Millimeters)



## Screw Options

Wire ready screws standard on all terminal styles (Bulk ordering part numbers are in parentheses.)



## Hardware Options

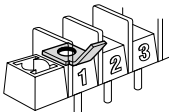
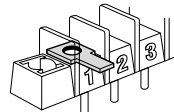
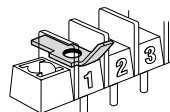
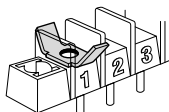
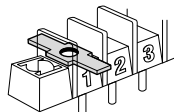
(Bulk ordering part numbers are in parentheses.)

Inches (Millimeters)

### Jumpers

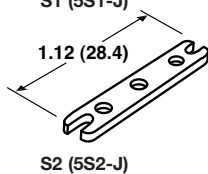
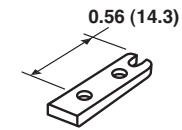


### Quick Connects Blade Width 0.110" (For other orientations, contact factory.)



\* N/A on CB5 Series.

### Solder Lugs



## Series A1000 & Series CB1000 Single Row Terminal Blocks

### SPECIFICATIONS

**Rating:** 20A, 250V\*

**Center Spacing:** 0.325" (8.26mm)

**Wire Range:** #14-22 AWG CU

**Screw Size:** #6-32 zinc-plated phillot wire-ready screws with a #2 driving recess.

**Torque Rating:** 9 lb-in.

**Base:** Standoffs are standard on CB1000 Series for easy flux washing.

**Distance Between Barriers:** 0.26" (6.6mm)

**Recommended PCB Hole Diameter:** 0.070" (1.78mm)

**Operating Temperature:** 105°C (221°F) max., -40°C (-40°F) min.

**Molded Material:** Black, UL Rated 94V0 Thermoplastic

**Breakdown Voltage:** 1600V

**Agency Information:** UL/CSA; IEC Compliance;

CE Certified; UL File: E62622, CSA File: 15364

\*General industrial applications



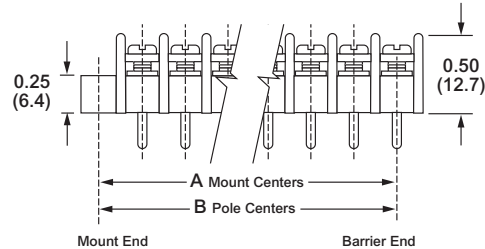
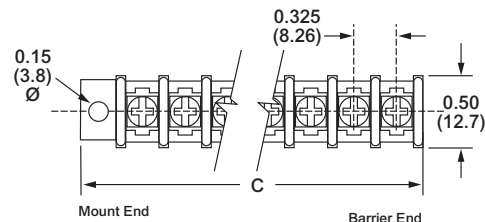
CB10210707



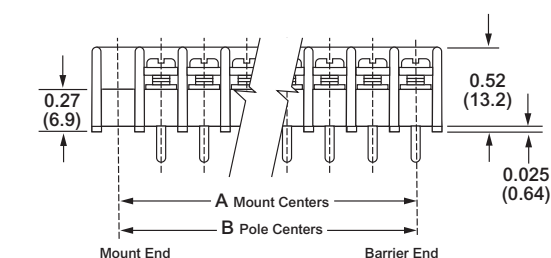
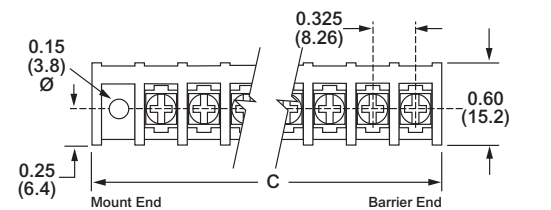
A102206

### Dimensions - in (mm)

#### A1000 Series



#### CB1000 Series



Poles	MOUNTING ENDS ONLY		BARRIER & MOUNTING ENDS B Pole Ctrs.	BARRIER ENDS ONLY C Length
	A Mount Ctrs.	C Length		
02	0.98	1.37	0.33	0.72
03	1.30	1.69	0.65	1.04
04	1.63	2.02	0.98	1.37
05	1.95	2.34	1.30	1.69
06	2.28	2.67	1.63	2.02
07	2.60	2.99	1.95	2.34
08	2.93	3.32	2.28	2.67
09	3.25	3.64	2.60	2.99
10	3.58	3.97	2.93	3.32
11	3.90	4.29	3.25	3.64
12	4.23	4.62	3.58	3.97
13	4.55	4.94	3.90	4.29
14	4.88	5.27	4.23	4.62
15	5.20	5.59	4.55	4.94
16	5.53	5.92	4.88	5.27
17	5.85	6.24	5.20	5.59
18	6.18	6.57	5.53	5.92
19	6.50	6.89	5.85	6.24
20	6.83	7.22	6.18	6.57
21	7.15	7.54	6.50	6.89
22	7.48	7.87	6.83	7.22
23	7.80	8.19	7.15	7.54
24	8.13	8.52	7.48	7.87
25	8.45	8.84	7.80	8.19
26	8.78	9.17	8.13	8.52
27	9.10	9.49	8.45	8.84
28	9.43	9.82	8.78	9.17
29	9.75	10.14	9.10	9.49
30	10.08	10.47	9.43	9.82
31	10.40	10.79	9.75	10.14
32	10.73	11.12	10.08	10.47
33	11.05	11.44	10.40	10.79
34	11.38	11.77	10.73	11.12
35	-	-	11.05	11.44
36	-	-	11.38	11.77

\* Dimensions in inches. To convert to millimeters, multiply by 25.4.

Terminal Blocks:  
Single & Double Row

EuroMag Series

Terminal Blocks:  
Base & Rail Mount

Power Distribution  
Blocks

Wire Management  
Products

Edge Connectors,  
One-Strided Boards

Compliance  
References

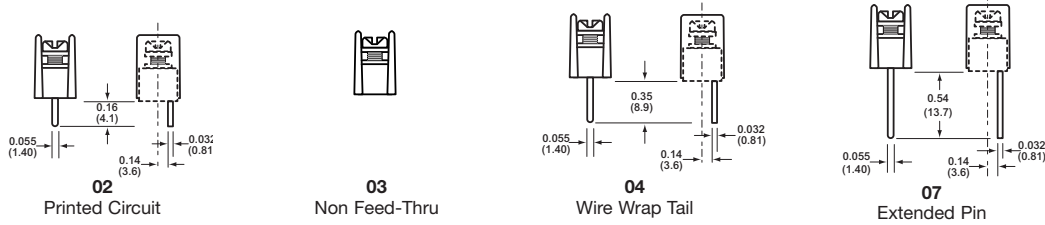
## Part Numbering System

Series	Terminal Style	Base/End	Poles	Screw Options	Options
<b>A1</b>					
<b>CB1</b>					
<b>A1</b> - standard barrier <b>CB1</b> - closed back	<b>02</b> - printed circuit <b>03</b> - non feed-thru <b>04</b> - wire wrap tail <b>07</b> - extended pin	<b>1</b> - mount end <b>2</b> - barrier end		Blank - std. screws <b>03</b> - stainless steel <b>04</b> - nickel brass <b>07</b> - steel SEMS & washer (not available with hardware options) <b>09</b> - brass/nickel-plated SEMS <b>CA</b> - standard captive screw	<b>AB &amp; DR</b> - angle mts. (A1 only-pg 5) <b>B1 to B9</b> - 0.187" QC (all positions) <b>EB</b> - exit back terminals on CB1 w/07 screw option only † <b>JA, JB &amp; JC</b> - barrier jumpers <b>L1 to L6</b> marking options (pg 22) <b>LT1 to LT6</b> marking options (CB1 only-pg 22) <b>MP &amp; MT</b> - mounting plates 0.150 dia (pg 5) <b>R26 &amp; R45</b> - right angle bends (A1 only-pg 5)

Covers - (pg 23)

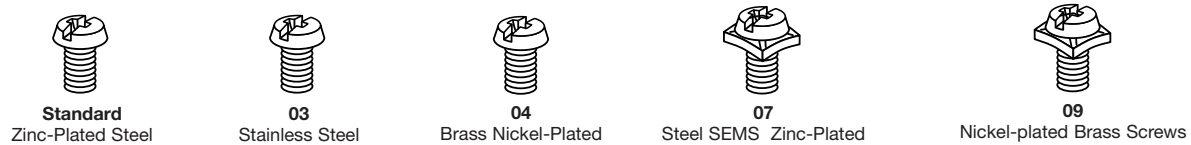
## Terminal Styles

Inches (Millimeters)



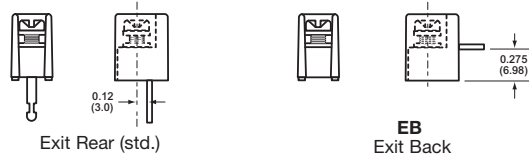
## Screw Options

Wire ready screws standard on all terminal styles



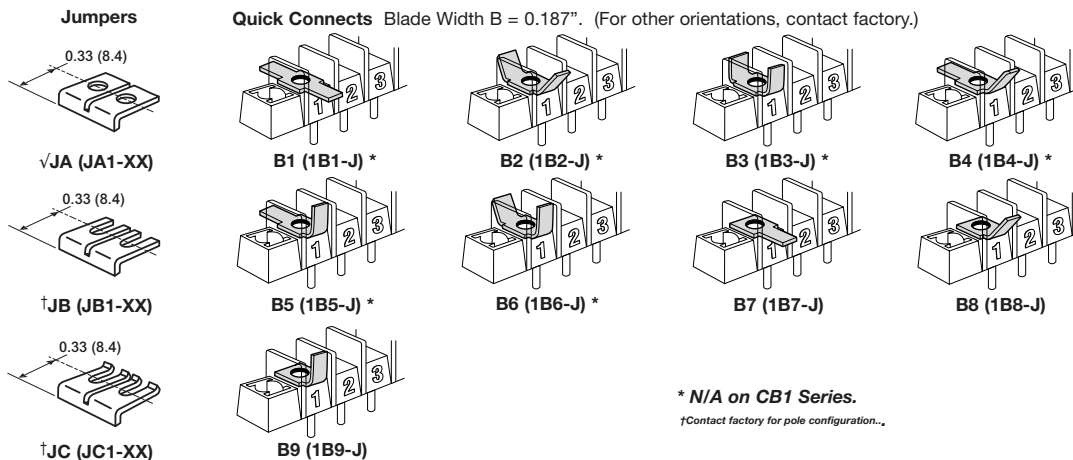
## CB1 Terminal Exit Options

Inches (Millimeters)



## Hardware Options

Inches (Millimeters)



\* N/A on CB1 Series.

†Contact factory for pole configuration...



## Series A1000 & CB1000

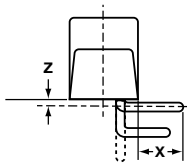
### Single Row Terminal Blocks *Continued*

#### Mounting Options

Inches (Millimeters)

#### Right Angle Bends (A1 only)

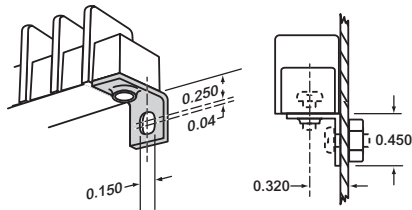
Right angle terminals are offered on the A1000 Series. Configurations are defined in these dimensions: X = pin extension beyond the block base; Z = length from block base to centerline of the terminal tip. Standard bends consist of the X and Z dimensions shown in the chart. Specify by adding the selected Bend Option Code to the terminal part number.



Bend Option Code	X (minimum)	Z
R26 (04 terminal only)	0.14 (3.5)	0.09 (2.3)
R45 (07 terminal only)	0.33 (8.4)	0.09 (2.3)

Dimensions in inches. To convert to millimeters, multiply by 25.4.

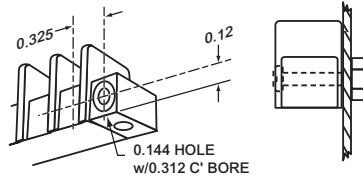
#### Angle Brackets (A1 only)



#### Option AB

Angle brackets enable block to be fastened at right angles to normal mount position. Bulk part number **1AB-J**.

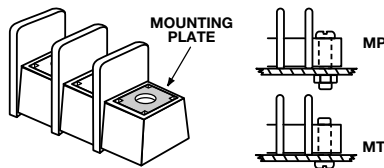
#### Drilled Right Angle (A1 only)



#### Option DR

Counterbored holes across mount ends of block enable fastening with two screws at right angles to normal mount position.

#### Mounting Plates



#### Options MP & MT

**MP** Metal inserts with 0.150" (3.8) dia. hole accept #6 screw. **MT** Metal inserts with tapped hole accept #6-32 screw. Bulk part numbers **1MP-J** & **1MT-J**.

## Series A2000, LP2000 & CB2000

### Single Row Terminal Blocks

#### SPECIFICATIONS

**Rating:** A2: 30A, 300V\*

LP2: 30A, 150V\*

CB2: 30A, 300V\*

**Center Spacing:** 0.375" or 3/8" (9.52mm)

**Wire Range:** #12-22 AWG CU

**Screw Size:** #6-32 zinc-plated philslot

**Torque Rating:** 9 lb-in.

**Base:** Standoffs standard for easy flux washing

**Distance Between Barriers:** 0.32" (8.1mm)

**Recommended PCB Hole Diameter:** 0.076" (1.93mm)

**Operating Temperature:** 105°C (221°F) max., -40°C (-40°F) min.

**Molded Material:** Black, UL Rated 94V0 Thermoplastic

**Breakdown Voltage:** 3400V (A2 & LP2); 4100V (CB2).

**Agency Information:** UL File E62622, CSA File 47235;

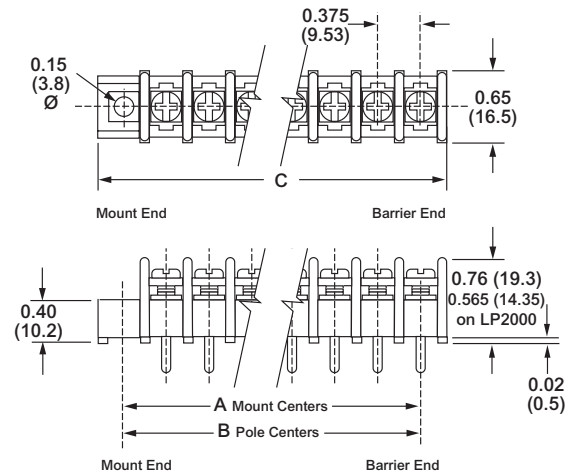
IEC Compliance; CE Certified

\*30A Rating achieved with a #10 copper wire crimped to a ring terminal.;  
20A Rating without ring terminal.

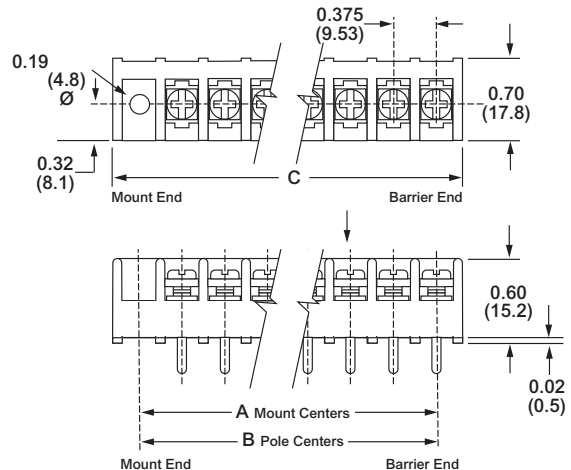


#### Dimensions - in (mm)

##### A2000 & LP2000 Series



##### CB2000 Series



Poles	MOUNTING ENDS ONLY		BARRIER & MOUNTING ENDS B Pole Ctrs.	BARRIER ENDS ONLY C Length
	A Mount Ctrs.	C Length		
02	1.13	1.56	0.38	0.81
03	1.50	1.93	0.75	1.18
04	1.88	2.30	1.13	1.56
05	2.25	2.68	1.50	1.93
06	2.63	3.06	1.88	2.31
07	3.00	3.43	2.25	2.68
08	3.38	3.81	2.63	3.06
09	3.75	4.18	3.00	3.43
10	4.13	4.56	3.38	3.81
11	4.50	4.93	3.75	4.18
12	4.88	5.31	4.13	4.56
13	5.25	5.69	4.50	4.93
14	5.63	6.06	4.88	5.31
15	6.00	6.43	5.25	5.68
16	6.38	6.81	5.63	6.06
17	6.75	7.18	6.00	6.43
18	7.13	7.56	6.38	6.81
19	7.50	7.93	6.75	7.18
20	7.88	8.31	7.13	7.56
21	8.25	8.68	7.50	7.93
22	8.63	9.06	7.88	8.31
23	9.00	9.43	8.25	8.68
24	9.38	9.81	8.63	9.06
25	9.75	10.18	9.00	9.43
26	10.13	10.56	9.38	9.81
27	10.50	10.93	9.75	10.18
28	10.88	11.31	10.13	10.55
29	11.25	11.68	10.50	10.93
30	11.63	12.05	10.88	11.31
31	-	-	11.25	11.68
32	-	-	11.63	12.05

\* Dimensions in inches. To convert to millimeters, multiply by 25.4.

## Series A2000 & LP2000 Single Row Terminal Blocks

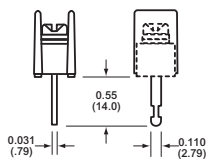
### Part Numbering System

Series	Terminal Style	Base/End	Poles	Screw Options	Options
<b>A</b> <b>2</b>					
<b>LP</b> <b>2</b>					
<b>A2</b> - standard barrier <b>LP2</b> - low profile barrier	<b>01</b> - handwired <b>02</b> - printed circuit <b>03</b> - non feed-thru <b>04</b> - wire wrap tail <b>05</b> - extended handwired <b>06</b> - handwired <b>07</b> - extended pin <b>08</b> - printed circuit <b>09</b> - 0.250" QC short <b>10</b> - 0.187" QC <b>14</b> - printed circuit <b>19</b> - 0.250" QC long	<b>0</b> - flat base/molded mount end <b>1</b> - flat base/mnt. end <b>2</b> - flat base/barrier end <b>3</b> - insulator base/mnt. end <b>4</b> - insulator base/barrier end <b>5</b> - closed base/mount end <b>6</b> - closed base/molded mount end <b>9</b> - insulator base/molded mount end  Base/End Note: 0, 6, 9 styles not available with covers. 5 & 6 Styles only available with 03 terminals.	<b>02 to 32</b> <b>02 to 30</b> on mount end base	Blank - std. screw <b>00</b> - screws shipped bulk <b>03</b> - stainless steel <b>04</b> - brass nickel-plated <b>07</b> - steel SEMS (not available with hardware options) <b>09</b> - brass SEMS nickel-plated (not available with hardware options) <b>CA</b> - captive screw <b>WR</b> - wire ready (not available on LP2 series)	<b>AB</b> - angle mnt. options (pg 9) <b>A1 to A9</b> - 0.250" QC <b>B1 to B9</b> - 0.187" QC <b>DR</b> - drilled right angle (pg 9) † <b>JA, JB &amp; JC</b> - barrier jumpers <b>L1 to L6</b> marking options (pg 22) <b>MP, MP8 &amp; MT</b> mounting plates (pg 9) † <b>OJ2 &amp; OJ4</b> - over barrier jumpers (not available w/covers) <b>RC</b> - retaining clips (pg 9) <b>R30 to R77</b> - right angle bends (pg 9) <b>SO</b> - stand off insulators (pg 9) <b>S1</b> - solder lug/flat  <b>Covers</b> - (pg 23)

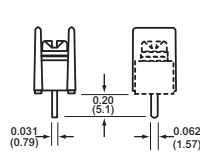
†Contact factory for configuration..

### Terminal Styles

Inches (Millimeters)



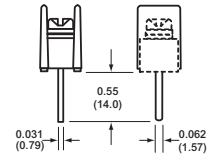
**01**  
Handwired



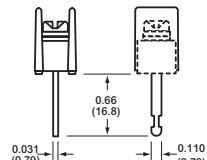
**02**  
Printed Circuit



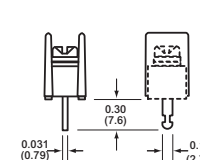
**03**  
Non Feed-Thru



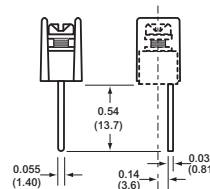
**04**  
Wire Wrap Tail



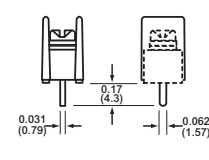
**05**  
Extended Handwired



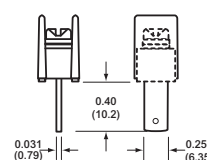
**06**  
Handwired



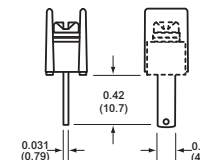
**07**  
Extended Pin



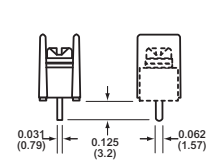
**08**  
Printed Circuit



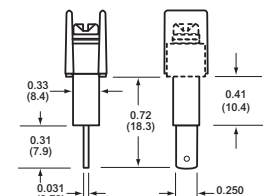
**09**  
0.250" QC short



**10**  
0.187" QC



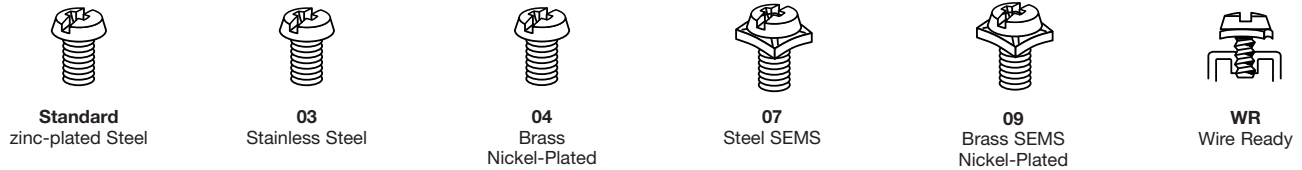
**14**  
Printed Circuit



**19**  
√0.250" QC long

## Series A2000 & LP2000 Single Row Terminal Blocks *Continued*

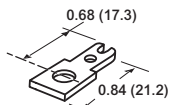
### Screw Options



### Hardware Options (Bulk ordering part numbers are in parentheses.)

Inches (Millimeters)

#### Solder Lugs



**S1**  
(2S1-J)

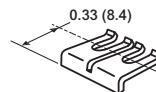
#### Jumpers



**1JA**  
(JA2-XX-J)



**1JB**  
(JB2-XX-J)



**1JC**  
(JC2-XX-J)

†Contact factory for configuration.



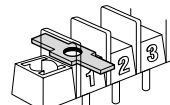
**1OJ2**  
(OJ2-J)



**1OJ4**  
(OJ4-J)

#### Quick Connects

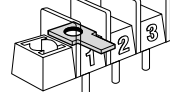
Blade Width A = 0.250" Blade Width B = 0.187"



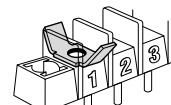
**A1 & B1**  
(2A1-J & 2B1-J)



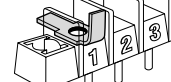
**A4 & B4**  
(2A4-J & 2B4-J)



**A7 & B7**  
(2A7-J & 2B7-J)



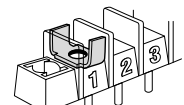
**A2 & B2**  
(2A2-J & 2B2-J)



**A5 & B5**  
(2A5-J & 2B5-J)



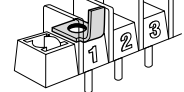
**A8 & B8**  
(2A8-J & 2B8-J)



**A3 & B3**  
(2A3-J & 2B3-J)



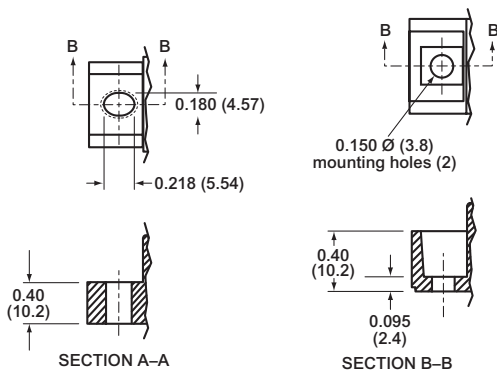
**A6 & B6**  
(2A6-J & 2B6-J)



**A9 & B9**  
(2A9-J & 2B9-J)

### Base/End Options

Inches (Millimeters)



**0, 6 & 9**  
Molded Mount End

**1, 3 & 5**  
Mount End

Series A2000 & LP2000

Single Row Terminal Blocks *Continued*

Terminal Blocks:  
Single & Double Row

EuroMag Series

Terminal Blocks:  
Base & Rail Mount

Power Distribution  
Blocks

Wire Management  
Products

Edge Connectors,  
One-Strided Boards

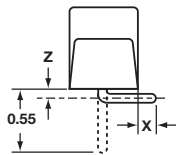
Compliance  
References

**Mounting Options**

**Right Angle Bends (A2, LP2 only)**

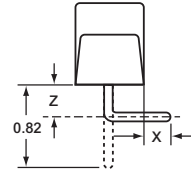
Right angle terminals are offered on the A2000 & LP2000 Series. Configurations are defined in these dimensions: X = pin extension beyond the block base; Z = length from block base to centerline of the terminal tip. Standard bends consist of the X and Z dimensions shown in the chart. Specify by adding the selected Bend Option Code to the terminal part number.

**04 Terminal Bend Configurations**



Bend Option Code	X (minimum)	Z	Available w/insulator base
R30	0.04	0.28	No
R35	0.01	0.23	No
R36	0.02	0.22	No
R39	0.05	0.19	No
R42	0.08	0.16	No
R46	0.12	0.12	No
R48	0.14	0.10	No
R50	0.16	0.08	No

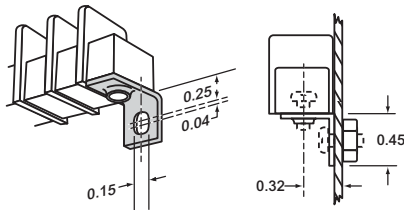
**07 Terminal Bend Configurations**



Bend Option Code	X (minimum)	Z	Available w/insulator base
R30	0.04	0.55	Yes
R35	0.01	0.50	Yes
R36	0.02	0.49	Yes
R42	0.08	0.43	Yes
R46	0.12	0.39	Yes
R50	0.16	0.35	No
R53	0.19	0.32	No
R66	0.32	0.19	No
R69	0.35	0.16	No
R75	0.41	0.10	No
R77	0.43	0.08	No

Dimensions in inches. To convert to millimeters, multiply by 25.4.

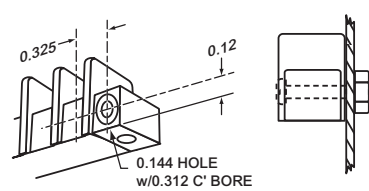
**Angle Brackets (A2, LP2 only)**



**Option AB**

Angle brackets enable block to be fastened at right angles to normal mount position. Bulk part number **2AB-J**.

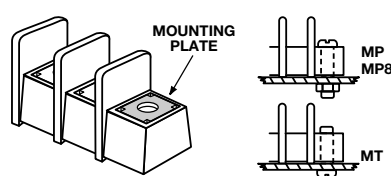
**Drilled Right Angle (A2, LP2 only)**



**Option DR**

Counterbored holes across mount ends of block enable fastening with two screws at right angles to normal mount position.

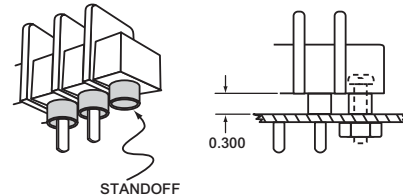
**Mounting Plates**



**Options MP, MP8 & MT**

**MP** Metal inserts with 0.150" dia. hole accept #6 screw. **MP8** Metal inserts with 0.187" dia. hole accept #8-32 screw. **MT** Metal inserts with tapped hole accept #6-32 screw.

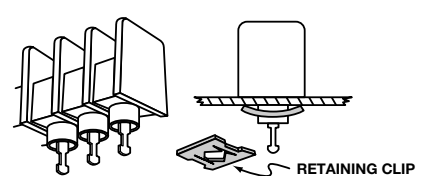
**Standoffs**



**Option SO**

Standoff mounts are tubes molded to the mounting positions. Available with insulator bases only.

**Retaining Clip**



**Option RC**

Use on standoff tubes. Fit panels up to 0.125" thick. Two clips for every five positions. Supplied unassembled. Bulk part number **H541-J**.



## Series CB2000

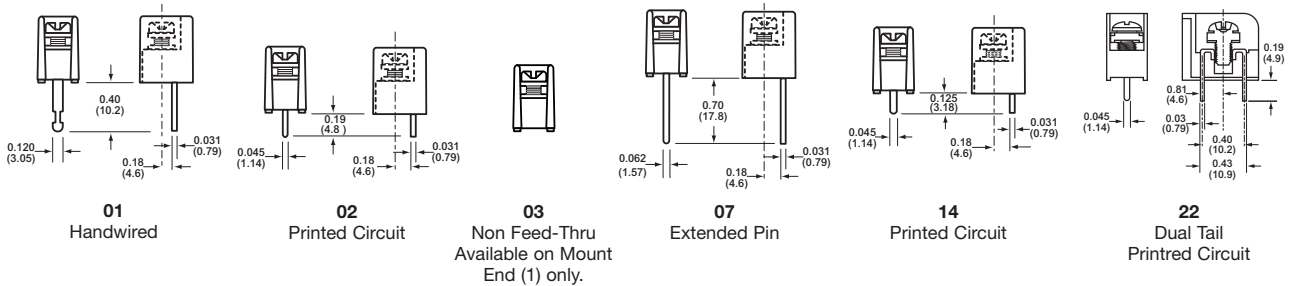
### Single Row Terminal Blocks

#### Part Numbering System

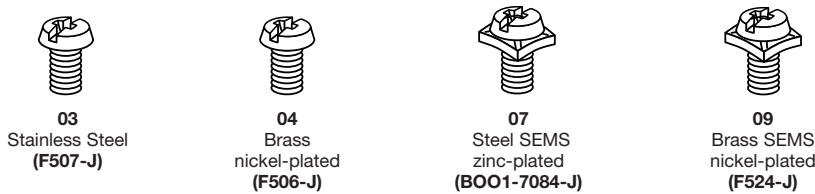
Series	Terminal Style	Base/End	Poles	Screws	Options
<b>CB2</b> - closed back	<b>01</b> - handwired <b>02</b> - printed circuit <b>03</b> - non feed-thru <b>07</b> - extended pin <b>14</b> - printed circuit <b>22</b> - dual tail printed circuit	<b>1</b> - mount end <b>2</b> - barrier end	<b>02 to 32</b> on mount end base	<b>03</b> - stainless steel <b>04</b> - brass nickel-plated <b>07</b> - steel SEMS standard <b>09</b> - brass SEMS nickel-plated <b>CA</b> - captive screw <b>07CA</b> - SEMS captive	* <b>AB</b> - angle mounting brackets (pg 11) <b>A7 to A9</b> - 0.250" QC <b>B7 to B9</b> - 0.187" QC <b>EB</b> - exit back terminals <b>EF</b> - exit front terminals † <b>JA, JB &amp; JC</b> - barrier jumpers <b>L1 to L6</b> marking options (pg 22) <b>LT1 to LT6</b> marking options (pg 22) † <b>OJ2 &amp; OJ4</b> - over barrier jumpers <b>MP, MP8, MT &amp; MT8</b> mtg. plates (pg 11) <b>S1</b> - solder lug/flat
*Only available on 3-poles and up. †Contact factory for configuration.					

#### Terminal Styles

Inches (Millimeters)



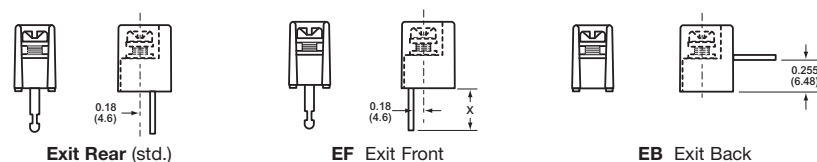
#### Screw Options (Bulk ordering part numbers are in parentheses.)



\* NOTE: Wire ready screws standard on all terminal styles.

#### CB2 Terminal Exit Options

Inches (Millimeters)

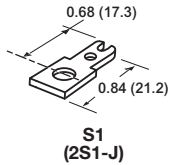


## Series CB2000

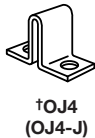
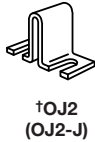
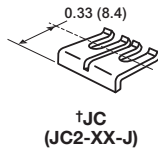
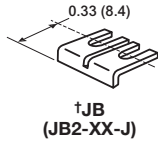
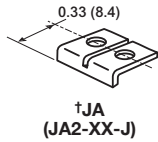
### Single Row Terminal Blocks

#### Hardware Options (Bulk ordering part numbers are in parentheses.) Inches (Millimeters)

##### Solder Lugs

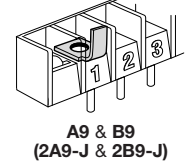
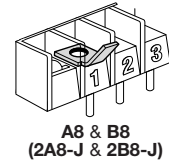
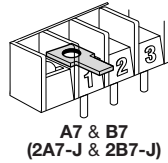


##### Jumpers



##### Quick Connects

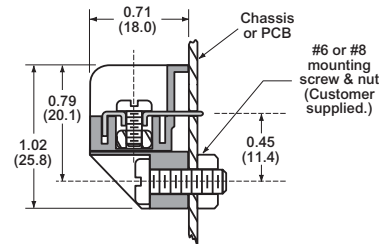
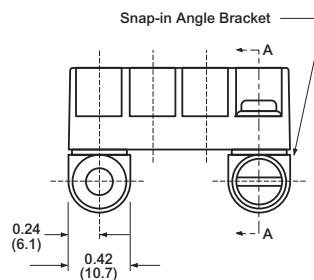
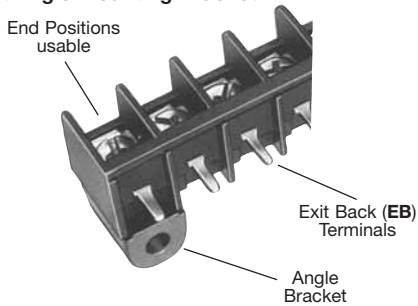
Blade Width A = 0.250". Blade Width B = 0.187".



†Contact factory for configuration.

#### Mounting Options Inches (Millimeters)

##### Right Angle Mounting Bracket

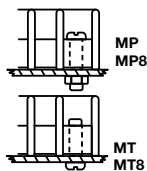
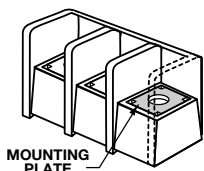


##### Option AB

##### Mounts blocks on PC boards at a right angle.

- Protects solder joints.
- Recommended for all EB (Exit Back) PCB terminal blocks.
- Bracket snaps securely on block (no hardware required).
- Minimum strip length (end positions are usable).
- Mount with #6-32 or #8-32 screws (not supplied).

##### Mounting Plates



##### Options MP, MP8, MT & MT8

- MP** Metal inserts with 0.150" dia. hole accept #6 screw.
- MP8** Metal inserts with 0.187" dia. hole accept #8-32 screw.
- MT** Metal inserts with tapped hole accept #6-32 screw.
- MT8** Metal inserts with tapped hole accept #8-32 screw.

Terminal Blocks:  
Single & Double Row

EuroMag Series

Terminal Blocks:  
Base & Rail Mount

Power Distribution  
Blocks

Wire Management  
Products

Edge Connectors,  
One-Strided Boards

Compliance  
References

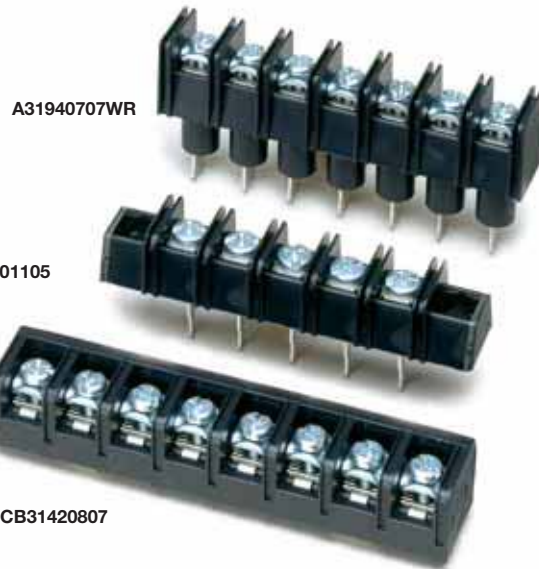
## Series A3000, LP3000 & CB3000 Single Row Terminal Blocks

### SPECIFICATIONS

**Rating:** A3: 30A, 600V\* #12-22 AWG  
 LP3: 30A, 150V #12-22 AWG  
 CB3: 30A, 600V #12-22 AWG

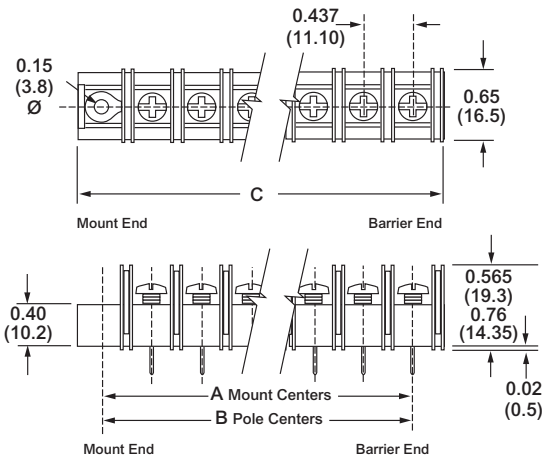
**Wire Range:** #12-22 AWG CU  
**Center Spacing:** 0.437" or 7/16" (11.10mm)  
**Screw Size:** #6-32 zinc-plated phillot screws.  
**Torque Rating:** 9 lb-in.  
**Base:** Standoffs standard for easy flux washing.  
**Distance Between Barriers:** 0.32" (8.1mm)  
**Recommended PCB Hole Diameter:** 0.076" (1.93mm)  
**Operating Temperature:** 105°C (221°F) max., -40°C (-40°F) min.  
**Molded Material:** Black, UL Rated 94V0 Thermoplastic  
**Breakdown Voltage:** 3500V (A3 & LP3); 8200V (CB3)  
**Agency Information:** UL File E62622, CSA 47235;  
 IEC Compliance, CE Certified

\*30A Rating achieved with a #10 copper wire crimped to a ring terminal;  
 20 Rating without ring terminal.

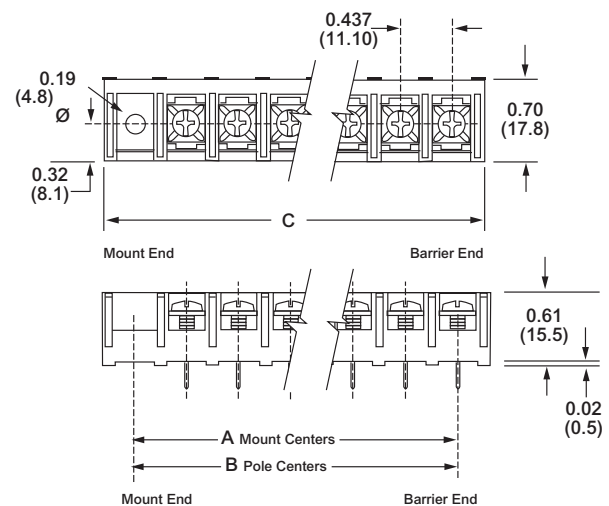


### Dimensions - in (mm)

#### A3000 & LP3000 Series



#### CB3000 Series



Poles	MOUNTING ENDS ONLY		BARRIER & MOUNTING ENDS B Pole Ctrs.	BARRIER ENDS ONLY C Length
	A Mount Ctrs.	C Length		
02	1.31	1.73	0.43	0.98
03	1.75	2.17	0.87	1.43
04	2.18	2.61	1.31	1.87
05	2.62	3.05	1.75	2.31
06	3.06	3.48	2.18	2.75
07	3.50	3.92	2.62	3.18
08	3.93	4.36	3.06	3.62
09	4.37	4.80	3.50	4.06
10	4.81	5.23	3.93	4.50
11	5.25	5.67	4.37	4.93
12	5.68	6.11	4.81	5.37
13	6.12	6.55	5.25	5.81
14	6.56	6.98	5.68	6.25
15	7.00	7.42	6.12	6.68
16	7.43	7.86	6.56	7.12
17	7.87	8.30	7.00	7.56
18	8.31	8.73	7.43	8.00
19	8.75	9.17	7.87	8.43
20	9.18	9.60	8.31	8.87
21	9.62	10.05	8.50	9.31
22	10.06	10.48	9.18	9.75
23	10.50	10.92	9.62	10.18
24	10.93	11.36	10.06	10.62
25	11.37	11.80	10.50	11.06
26	11.81	12.23	10.93	11.50
27	-	-	11.37	11.93
28	-	-	11.81	12.37

Dimensions in inches. To convert to millimeters, multiply by 25.4.

Terminal Blocks:  
Single & Double Row

EuroMag Series

Terminal Blocks:  
Base & Rail Mount

Power Distribution  
Blocks

Wire Management  
Products

Edge Connectors,  
One-Sided Boards

Compliance  
References

## Series A3000 & LP3000 Single Row Terminal Blocks

### Part Numbering System

Series	Terminal Style	Base/End (Views pg. 15)	Poles	Screw Options	Options
<b>A3</b>					
<b>LP3</b>					
<b>A3</b> - standard barrier <b>LP3</b> - low profile barrier	<b>01</b> - handwired <b>02</b> - printed circuit <b>03</b> - non feed-thru <b>04</b> - wire wrap tail <b>05</b> - extended handwired <b>06</b> - handwired <b>07</b> - extended pin <b>08</b> - printed circuit <b>09</b> - 0.250 QC short <b>10</b> - 0.187 QC <b>14</b> - printed circuit <b>19</b> - 0.250 QC long	<b>1</b> - flat base/mnt. end <b>2</b> - flat base/barrier end <b>3</b> - insulator base/mnt. end <b>4</b> - insulator base/barrier end <b>*5</b> - closed base/mount end	<b>02 to 28</b> <b>02 to 26</b> on mount end base	Blank - std. screw <b>00</b> - screws shipped bulk <b>03</b> - stainless steel <b>04</b> - brass nickel-plated <b>07</b> - steel SEMS zinc-plated (not available with hardware options) <b>09</b> - brass SEMS nickel-plated (not available with hardware options) <b>07WR</b> - steel SEMS wire ready (A3 only) <b>CA</b> - captive screw	<b>AB</b> - angle mnt. options (pg 15) <b>A1 to A9</b> - 0.250" QC <b>B1 to B9</b> - 0.187" QC <b>DR</b> - drilled right angle (pg 15) <b>†J201</b> - flat slip-on jumper <b>L1 to L6</b> marking options (pg 22) <b>MP, MP8 &amp; MT</b> mounting plates (pg 15) <b>†OJ3, OJ5 &amp; OJ7</b> - over barrier jumpers <b>RC</b> - retaining clips (pg 15) <b>R30 to R77</b> - right angle bends (pg 15) <b>SO</b> - stand off insulators (pg 15) <b>S1</b> - solder lug/flat

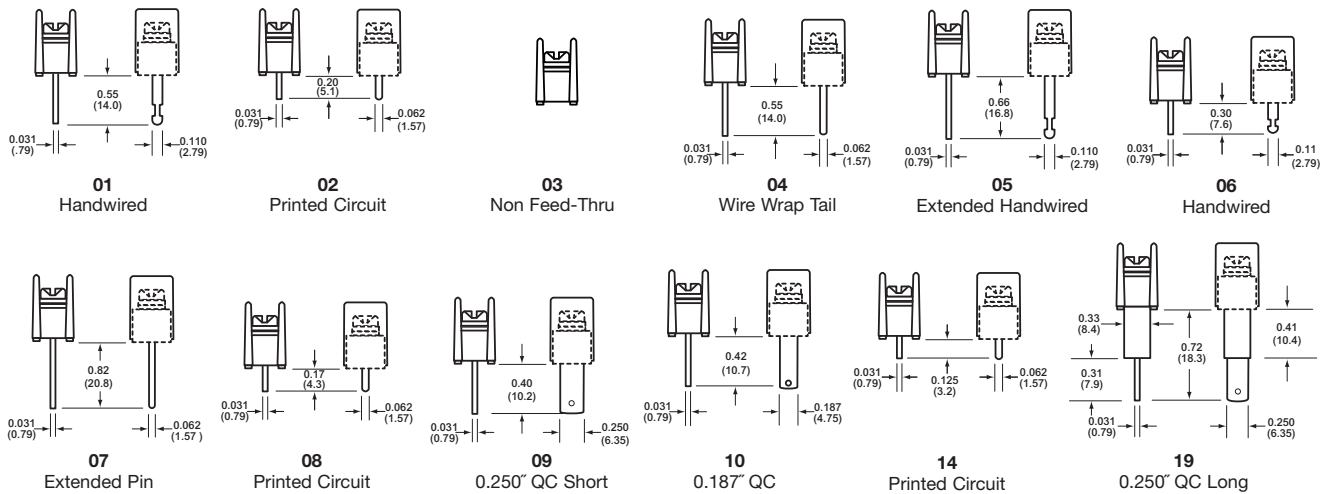
\*Base/End Note: 5 Style only available with 03 terminals.

ready (A3 only)

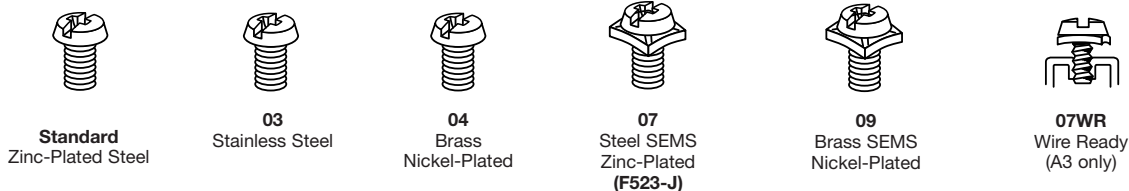
†Contact factory for configuration.

### Terminal Styles

Inches (Millimeters)



### Screw Options

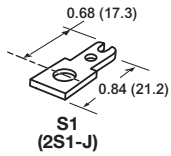


**Series A3000 & LP3000**  
Single Row Terminal Blocks *Continued*

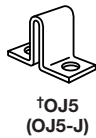
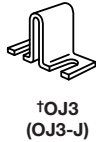
**Hardware Options** (Bulk ordering part numbers are in parentheses.)

Inches (Millimeters)

**Solder Lugs**

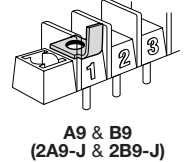
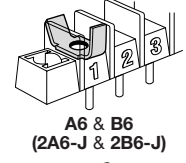
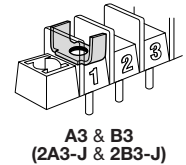
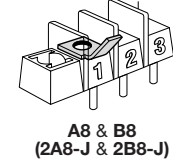
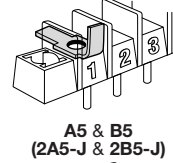
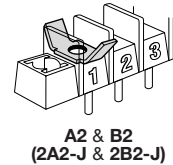
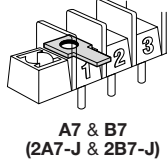
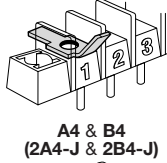
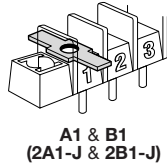


**Jumpers**



**Quick Connects**

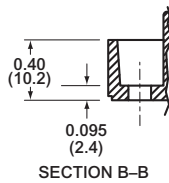
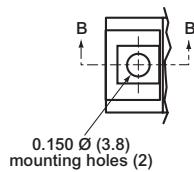
Blade Width A = 0.250" Blade Width B = 0.187"



†Contact factory for pole configuration.

**Base/End Options**

Inches (Millimeters)



1, 3 & 5 Mount End

Terminal Blocks:  
Single & Double Row

EuroMag Series

Terminal Blocks:  
Base & Rail Mount

Power Distribution  
Blocks

Wire Management  
Products

Edge Connectors,  
One-Sided Boards

Compliance  
References



## Series A3000 & LP3000

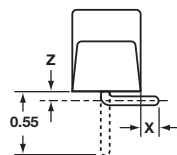
### Single Row Terminal Blocks *Continued*

## Mounting Options Inches (Millimeters)

### Right Angle Bends (A3, LP3 only)

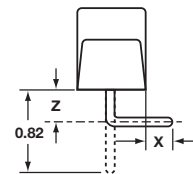
Right angle terminals are offered on the A3000 & LP3000 Series. Configurations are defined in these dimensions: X = pin extension beyond the block base; Z = length from block base to centerline of the terminal tip. Standard bends consist of the X and Z dimensions shown in the chart. Specify by adding the selected Bend Option Code to the terminal part number.

### 04 Terminal Bend Configurations



Bend Option Code	X (minimum)	Z	Available w/insulator base
R30	0.04	0.28	No
R35	0.01	0.23	No
R36	0.02	0.22	No
R39	0.05	0.19	No
R42	0.08	0.16	No
R46	0.12	0.12	No
R48	0.14	0.10	No
R50	0.16	0.08	No

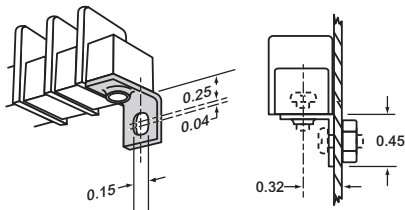
### 07 Terminal Bend Configurations



Bend Option Code	X (minimum)	Z	Available w/insulator base
R30	0.04	0.55	Yes
R35	0.01	0.50	Yes
R36	0.02	0.49	Yes
R50	0.16	0.35	No
R53	0.19	0.32	No
R66	0.32	0.19	No
R69	0.35	0.16	No
R75	0.41	0.10	No
R77	0.43	0.08	No

Dimensions in inches. To convert to millimeters, multiply by 25.4.

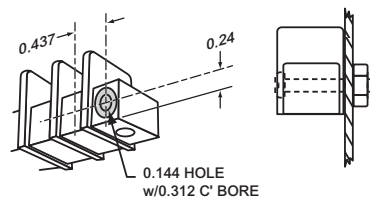
### Angle Brackets (A3, LP3 only)



#### Option AB

Angle brackets enable block to be fastened at right angles to normal mount position. Bulk part number **2AB-J**.

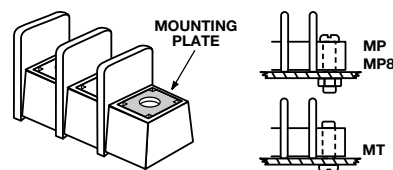
### Drilled Right Angle (A3, LP3 only)



#### Option DR

Counterbored holes across mount ends of block enable fastening with two screws at right angles to normal mount position.

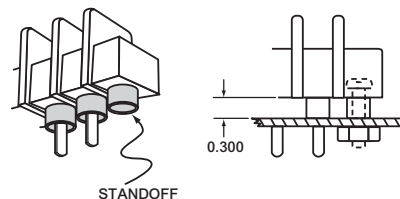
### Mounting Plates



#### Options MP, MP8 & MT

**MP** Metal inserts with 0.150" dia. hole accept #6 screw. **MP8** Metal inserts with 0.187" dia. hole accept #8-32 screw. **MT** Metal inserts with tapped hole accept #6-32 screw.

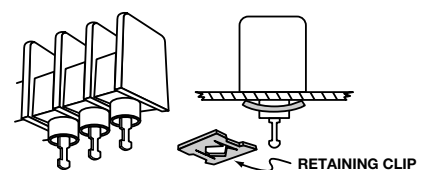
### Standoffs



#### Option SO

Standoff mounts are tubes molded to the mounting positions. Available with insulator bases only.

### Retaining Clip



#### Option RC

Use on standoff tubes. Fit panels up to 0.125" thick. Two clips for every five positions. Supplied unassembled. Bulk part number **H541-J**.

Terminal Blocks:  
Single & Double Row

EuroMag Series

Terminal Blocks:  
Base & Rail Mount

Power Distribution  
Blocks

Wire Management  
Products

Edge Connectors,  
One-Strided Boards

Compliance  
References

## Series CB3000

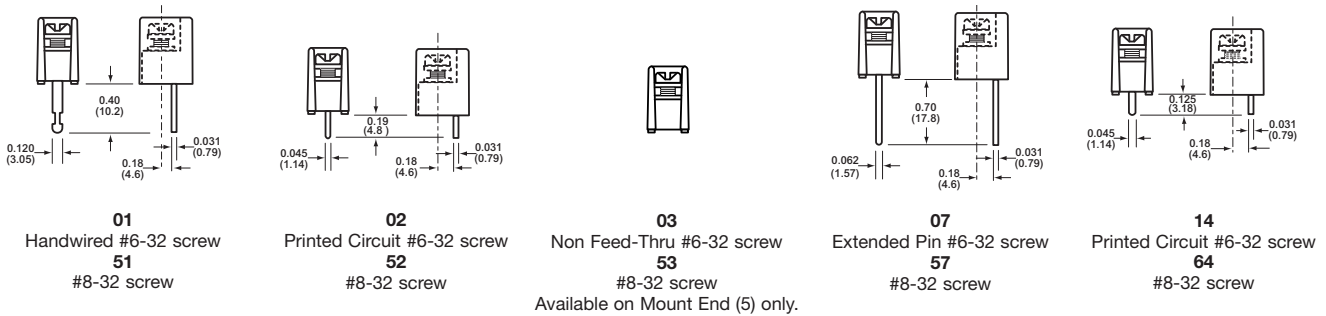
### Single Row Terminal Blocks

#### Part Numbering System

Series	Terminal Style	Base/End	Poles	Screws	Options
<b>CB3</b>					
<b>CB3</b> - closed back	<b>01</b> - handwired #6-32 screw <b>02</b> - printed circuit #6-32 screw <b>03</b> - non feed-thru #6-32 screw <b>07</b> - extended pin #6-32 screw <b>14</b> - printed circuit #6-32 screw <b>51</b> - handwired #8-32* <b>52</b> - printed circuit #8-32* <b>53</b> - non feed-thru #8-32* <b>57</b> - extended pin #8-32* <b>64</b> - printed circuit #8-32* *Note: #8-32 screw is a special with #6-32 head.	<b>1</b> - mount end <b>2</b> - barrier end <b>5</b> - closed base/mount end	<b>02 to 28</b> <b>02 to 26</b> on mount end base	<b>07</b> - steel SEMS (standard) <b>09</b> - brass SEMS nickel-plated <b>CA</b> - SEMS captive	<b>AB</b> - angle mounting brackets (pg 17) <b>A7 to A9</b> - 0.250" QC <b>B7 to B9</b> - 0.187" QC <b>EB</b> - exit back terminals <b>L1 to L6</b> marking options (pg 22) <b>LT1 to LT6</b> marking options (pg 22) † <b>OJ3 &amp; OJ7</b> - over barrier jumpers <b>MP, MP8, MT &amp; MT8</b> mtg. plates (pg 17) <b>S1</b> - solder lug/flat <b>Covers</b> - (pg 23)
		Base/End Note: 5 Style only available with 03 terminals.			†Contact factory for configuration.

#### Terminal Styles

Inches (Millimeters)



#### Screw Options



**07**  
Steel SEMS  
Zinc-Plated  
(standard)

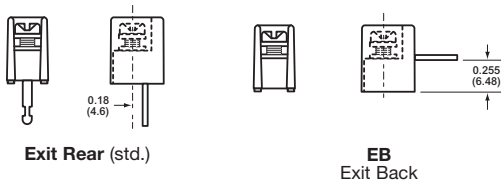


**09**  
Brass SEMS  
Nickel-Plated

\* NOTE: Wire ready screws standard on all terminal styles.

#### CB3 Terminal Exit Options

Inches (Millimeters)

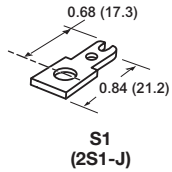


## Series CB3000

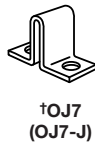
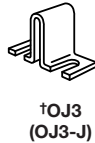
### Single Row Terminal Blocks *Continued*

## Hardware Options (Bulk ordering part numbers are in parentheses.) Inches (Millimeters)

### Solder Lugs

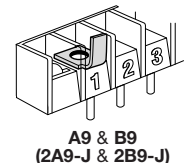
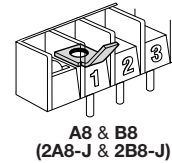
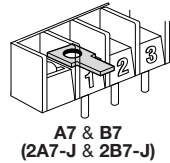


### Jumpers



### Quick Connects

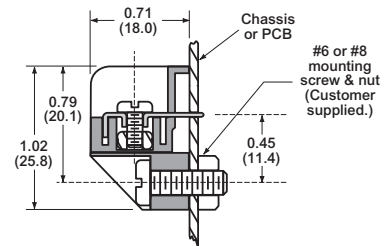
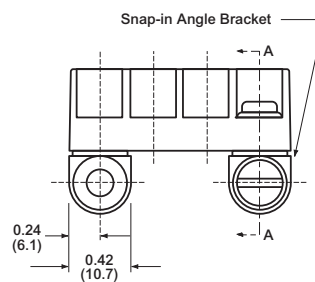
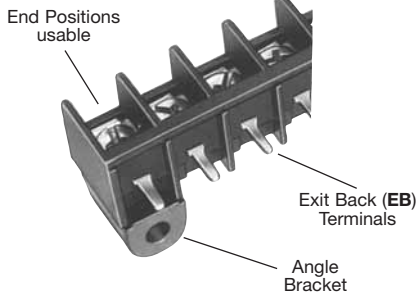
Blade Width A = 0.250". Blade Width B = 0.187".



†Contact factory for pole configuration.

## Mounting Options Inches (Millimeters)

### Right Angle Mounting Bracket

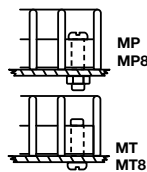
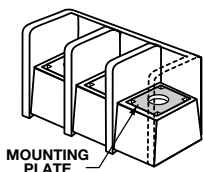


Option AB

### Mounts blocks on PC boards at a right angle.

- Protects solder joints.
- Recommended for all EB (Exit Back) PCB terminal blocks.
- Bracket snaps securely on block (no hardware required).
- Minimum strip length (end positions are usable).
- Mount with #6-32 or #8-32 screws (not supplied).

### Mounting Plates



### Options MP, MP8, MT & MT8

- MP** Metal inserts with 0.150" dia. hole accept #6 screw.
- MP8** Metal inserts with 0.187" dia. hole accept #8-32 screw.
- MT** Metal inserts with tapped hole accept #6-32 screw.
- MT8** Metal inserts with tapped hole accept #8-32 screw.

Terminal Blocks:  
Single & Double Row

EuroMag Series

Terminal Blocks:  
Base & Rail Mount

Power Distribution  
Blocks

Wire Management  
Products

Edge Connectors,  
One-Strided Boards

Compliance  
References

**Series A38 / B38**

Single Row Terminal Blocks

**SPECIFICATIONS**

**Rating:** A38: 30A, 600V  
B38: 50A, 300V

**Center Spacing:** 0.437" (11.10mm)

**Wire Range:** A38: #10-22 AWG CU; B38: #8-16 AWG

**Screw Size:** #8-32 zinc-plated steel

**Torque Rating:** A38: 9 lb-in; B38: 15 lb-in for #8, 9 lb-in for #6

**Base:** A38 Only: Standoffs standard for easy flux washing

**Distance Between Barriers:** 0.378" (9.60mm)

**Recommended PCB Hole Diameter (A38):** 0.076" (1.93mm)

**Operating Temperature:** 221°F (105°C)

**Molded Material:** Black, UL Rated 94V0 Thermoplastic

**Breakdown Voltage:** 5000V

**Agency Information:** UL File E62622, CSA File 47235; CE Certified



A382208



B384904

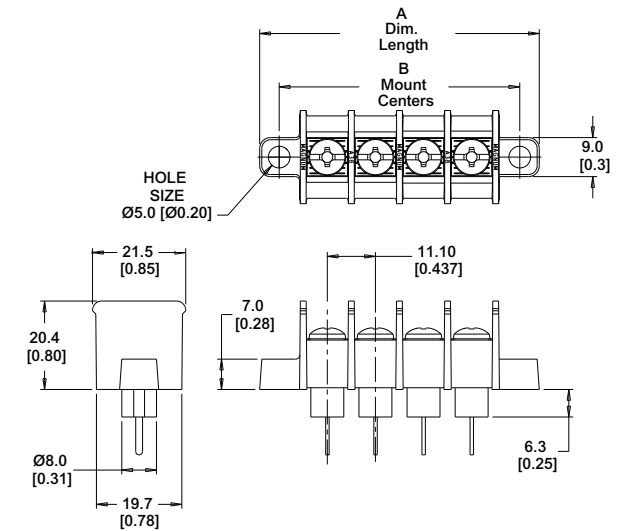
**TABLE A**

Poles	MOUNTING ENDS ONLY		BARRIER ENDS ONLY
	B Mount Ctrs.	"A" Dim. Length	"A" Dim. Length
02	1.31	1.67	0.93
03	1.75	2.10	1.37
04	2.19	2.54	1.81
05	2.62	2.98	2.25
06	3.06	3.41	2.68
07	3.50	3.85	3.12
08	3.93	4.29	3.56
09	4.37	4.72	3.99
10	4.81	5.16	4.43
11	5.24	5.60	4.87
12	5.68	6.04	5.30
13	6.12	6.47	5.74
14	6.56	6.91	6.18
15	6.99	7.35	6.61
16	7.43	7.78	7.05

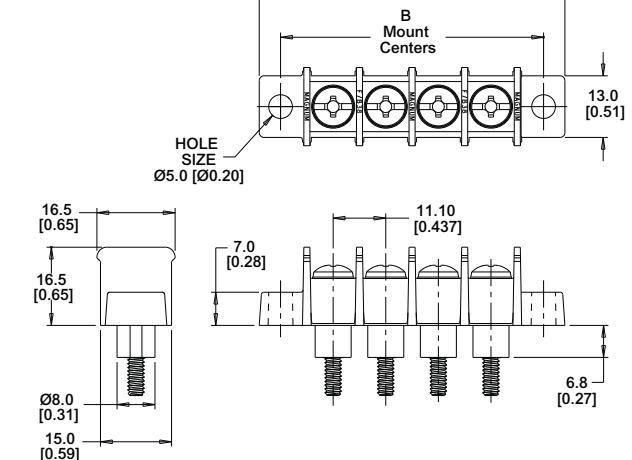
\* Dimensions in inches. To convert to millimeters, multiply by 25.4.

**Dimensions - in (mm)**

**Series A38**



**Series B38**

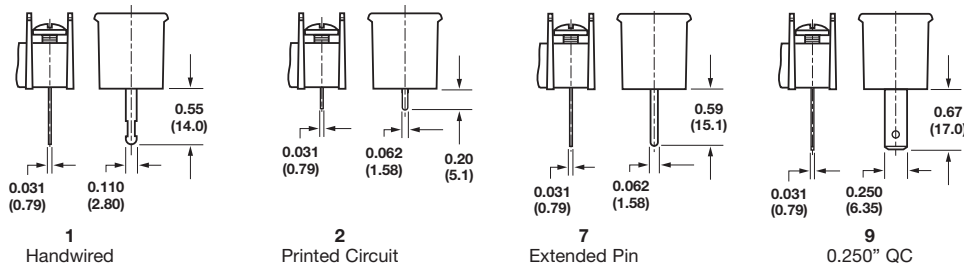


## Part Numbering System

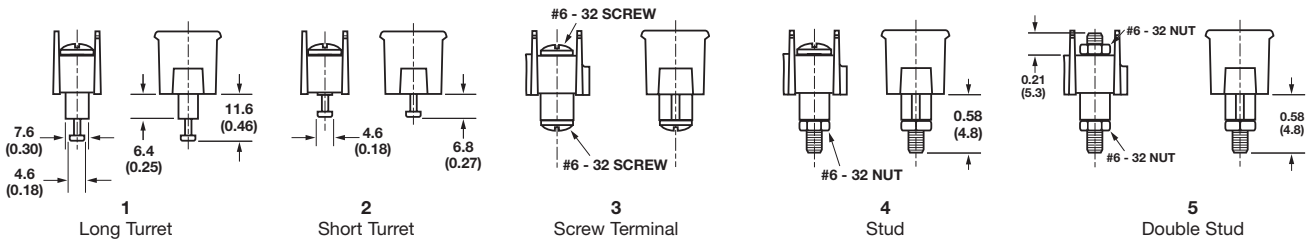
Series	Terminal Style	Base/End	# of Poles	Screw Options	Options
<b>A3B</b>					
	<b>0</b> - 0.187" QC <b>1</b> - hand wired <b>2</b> - printed circuit <b>7</b> - extended wire wrap <b>9</b> - 0.250" QC	<b>1</b> - flat base, mount end <b>2</b> - flat base, barrier end <b>3</b> - insulator base* mount end <b>4</b> - insulator base* barrier end  *N/A on 2 terminal style.	<b>02 to 16</b>	<b>Blank</b> - standard screw (steel zinc-plated, philslot BHMS) <b>04</b> - brass, nickel-plated, philslot BHMS <b>07</b> - steel, SEMS zinc-plated philslot screw <b>92</b> - steel, zinc-plated slotted BHMS <b>94</b> - brass, nickel-plated slotted BHMS (Binding Hard Machine Screw)	<b>L1 to L6</b> marking options (pg 22) <b>RC</b> - retaining clips (pg 15) <b>Covers</b> - (pg 23)
<b>B3B</b>					
	<b>1</b> - long turret <b>2</b> - short turret <b>3</b> - screw terminal #6-32 screw top & bottom) <b>4</b> - stud (#8-32 screw top, #6-32 stud bottom) † <b>5</b> - double stud (#6-32 stud top & bottom) †C360 Copper alloy (bright tin plate)	<b>0</b> - flat base, mount ends <b>4</b> - insulator base, barrier ends <b>9</b> - insulator base mount ends	<b>02 to 16</b>	<b>Blank</b> - standard screw steel zinc-plated philslot BHMS) <b>04</b> - brass, nickel-plated, philslot BHMS #8-32 <b>*34</b> - #6-32 nickel-plated brass philslot BHMS  *Note: 34 screws only *available with 3 terminal style.	<b>L1 to L6</b> marking options (pg 23) <b>RC</b> - retaining clips (pg 16)

### A38 Terminal Styles Wire ready screws standard

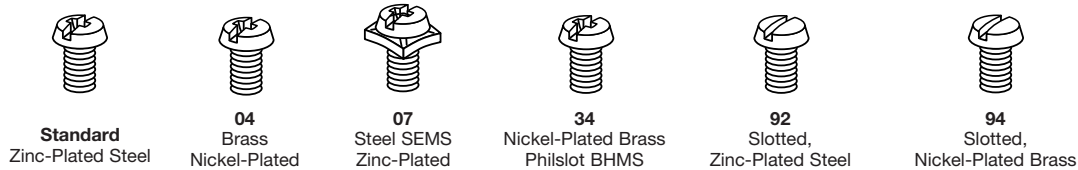
Inches (Millimeters)



### B38 Terminal Styles



### Screw Options





## Series A4000 & Series B4000

### Single Row Terminal Blocks

#### SPECIFICATIONS

**Rating:** See table.

**Center Spacing:** 0.562" or 9/16" (14.28mm)

**Wire Range:** See rating table.

**Screw Size:** #8-32 or #10-32 zinc-plated slotted screws

**Torque Rating:** #8 screw size 16 lb-in.; #10 screw size 20 lb-in.

**Distance Between Barriers:** 0.47" (11.9mm)

**Operating Temperature:** 105°C (221°F) max., -40°C (-40°F) min.

**Molded Material:** Black, UL Rated 94V0 Thermoplastic

**Hardware:** Bottom studs supplied with nuts assembled. Cup washers are optional on bottom studs but are not recommended with ring terminals.

**Extended Hex Nuts:** Optional extended, slotted hex nuts enable easier installation and removal with hex wrench or screwdriver. Available in bulk for the #10-32 studs on Series A4953 blocks. Specify part number F582 and quantity.

**Breakdown Voltage:** 6100V

**Agency Information:** UL File E62622, CSA File 47235; CE Certified

#### RATING TABLE

Part Number	Terminal Top	Terminal Bottom	Wire* Range CU	Ratings* Volts/Amps
A4003XX	# 8 Screw	#8 Stud	8-16 AWG	150V/50A
A4011XX	# 8 Screw	Solder	10-16 AWG	600V/35A
A4013XX	# 8 Screw	Solder	10-16 AWG	600V/35A
A4021XX	# 8 Screw	0.250 QC	10-16 AWG	600V/35A
A4035XX	# 8 Screw	Closed	8-16 AWG	600V/50A
A4041XX	#10 Screw	Solder	10-16 AWG	600V/35A
A4043XX	#10 Screw	Solder	10-16 AWG	600V/35A
A4051XX	#10 Screw	0.250 QC	10-16 AWG	600V/35A
A4803XX	#10 Screw	#8 Stud	8-16 AWG	150V/50A
A4813XX	#10 Screw	SolderTurret	10-16 AWG	600V/35A
A4843XX	#10 Screw	#8 Screw	8-16 AWG	150V/50A
A4953XX	#10 Stud	#10 Stud	8-16 AWG	150V/50A
B4843XX	#10 Screw	#8 Screw	8-16 AWG	600V/50A

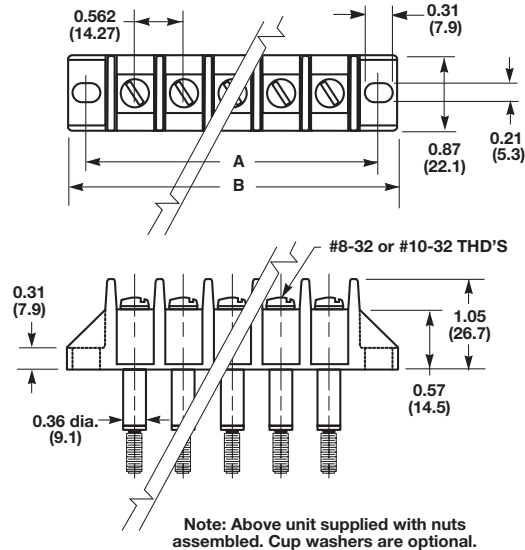
\* All models 30A Max. with 10 AWG;  
35-50A ratings with 8 AWG using ring or fork type terminals.  
Note: 50A rating achieved with #8 copper wire crimped to ring terminal.

Poles	A (in.) Mount Centers	B (in.) Length
2	1.69	2.12
3	2.25	2.68
4	2.81	3.24
5	3.37	3.80
6	3.93	4.36
7	4.50	4.93
8	5.06	5.50
9	5.62	6.05
10	6.18	6.61
11	6.74	7.17
12	7.31	7.74
13	7.87	8.30
14	8.43	8.86
15	8.99	9.44
16	9.55	9.98
17	10.12	10.55
18	10.68	11.11

\* Dimensions in inches. To convert to millimeters, multiply by 25.4.

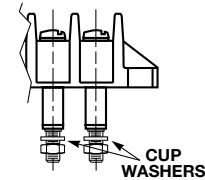


#### A4000 Series Dimensions - in (mm)

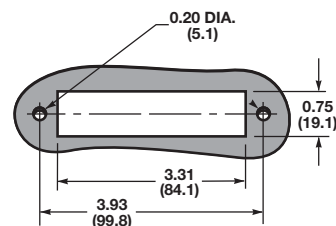


#### Optional Cup Washers Assembled

Available on A4003, A4803, A4843, A4953 & B4843.



#### Reference Panel Cutout for 6 Position Block



## Part Numbering System

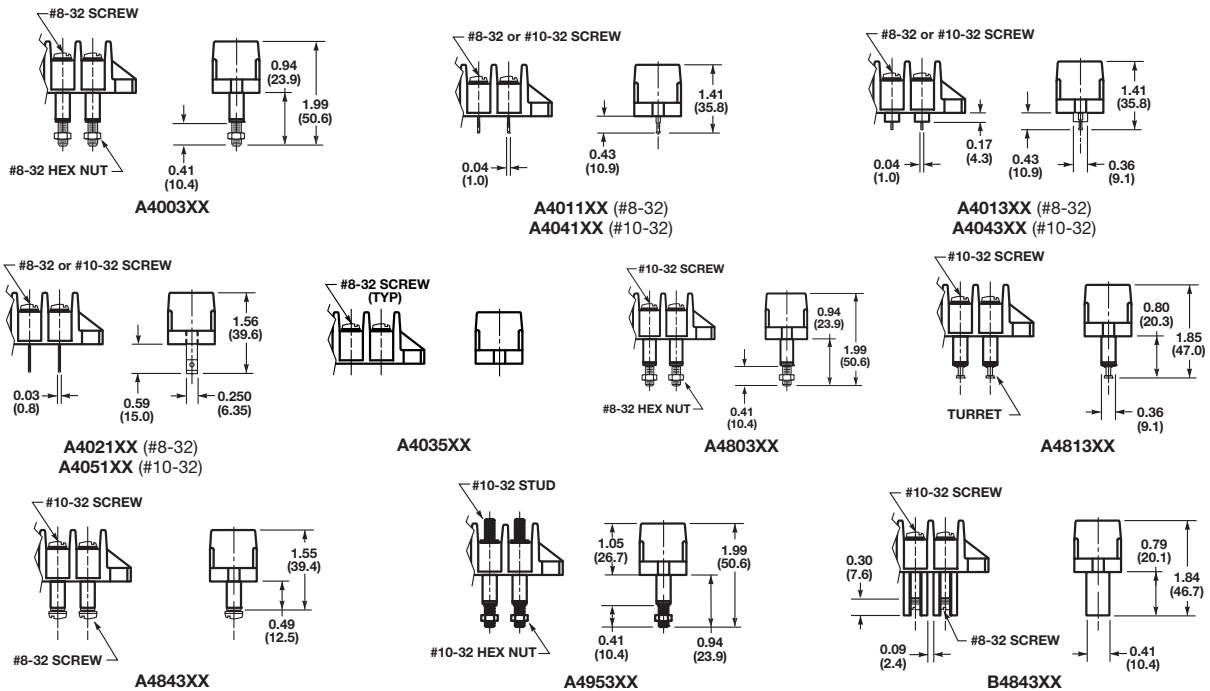
Series	Terminal Style	Base/End	Poles	Screw Options	Options
<b>A4</b>					
<b>B4</b>					
<b>A4</b> - standard	<b>00</b> - screw top; stud bottom	<b>*1</b> - flat base/ mount end		Blank - std. screw	<b>A1 to A9</b> - 0.250" QC
<b>B4</b> - barrier (only available in 84 terminal style)	<b>01</b> - screw top; solder bottom	<b>3</b> - insulator base- (not available in 03 terminal style)		<b>00</b> - screws shipped bulk	<b>†CW</b> - cup washer (pg 20)
	<b>02</b> - #8 screw top; 0.250" QC bottom	<b>5</b> - closed base/ mount end (available in 03 terminal only)		<b>04</b> - brass nickel-plated	<b>J301</b> - flat slip-on jumper (2 position only)
	<b>03</b> - screw top only			<b>07</b> - steel SEMS zinc plated (not available with hardware options; not available on A4003, A4803, A4813, A4843, B4843)	<b>L1 to L6</b> marking options (pg 22)
	<b>04</b> - #10 screw top; solder term. b.				<b>S1 &amp; S2</b> - solder lugs/flat
	<b>05</b> - #10 screw top; 0.250" QC bottom				
	<b>80</b> - screw top; stud bottom #10-32 top, #8-32 bottom insulated base				
	<b>81</b> - screw top; solder turret bottom #10-32				
	<b>84</b> - screw top; screw bottom #10-32				
	<b>95</b> - stud top; stud bottom #10-32				

\*Available in 01, 02, 04 & 05 terminal style only.

† Available only on A4003, A4803, A4843, A4953 & B4843.

## Terminal Styles

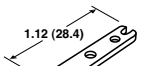
Inches (Millimeters)



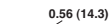
## Hardware Options (Bulk ordering part numbers are in parentheses.)

Inches (Millimeters)

### Solder Lugs



\*S1  
(2S1-J)



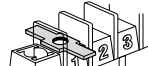
\*S2  
(2S2-J)

### Jumpers

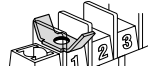


J301  
(J301-J)

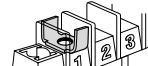
### Quick Connects Blade Width A = 0.250". (For other orientations, contact factory.)



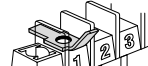
A1  
(4A1-J)



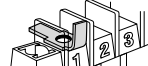
A2  
(4A2-J)



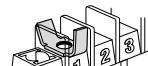
A3  
(4A3-J)



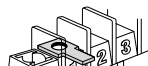
A4  
(4A4-J)



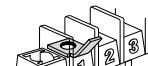
A5  
(4A5-J)



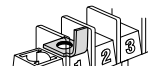
A6  
(4A6-J)



A7  
(4A7-J)



A8  
(4A8-J)



A9  
(4A9-J)

\*Not available for A4843

## All Series Marking Options

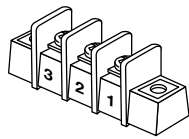
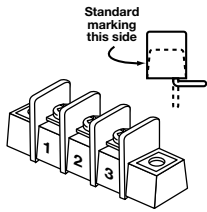
### Single Row Terminal Blocks

### Marking Options & Accessories

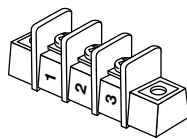
#### Standard Marking

Markings are applied directly to the sides of Series 1000, 2000, 3000, and 4000. Standard characters are white and 1/8" high. Factory may substitute 3/32" high characters.

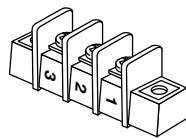
Blocks to be marked on both sides require a different code for each side. Example: "L1" on one side of the block requires "L2" on the other side to ensure common terminal marking. Specify by adding suffix to part number.



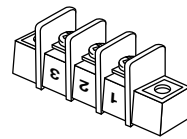
**L1**  
Upright Numerals  
Left to Right



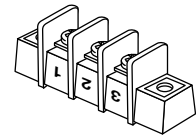
**L2**  
Upright Numerals  
Right to Left



**L3**  
Left Lying Numerals  
Left to Right



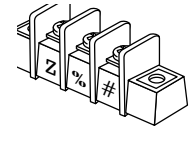
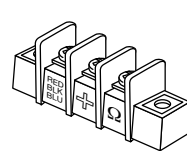
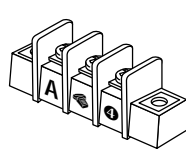
**L4**  
Right Lying Numerals  
Right to Left



**L5**  
Upside-Down Numerals  
Right to Left

#### Special Marking

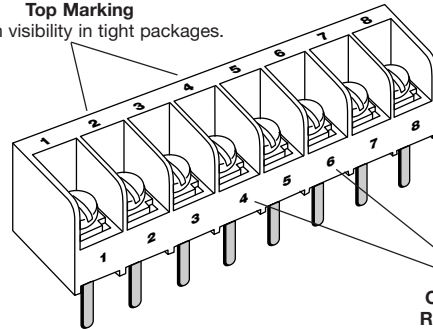
Special markings are available for Series 1000, 2000, 3000, 4000 & 5000 at an additional charge for preparation. Production charges for setup, handling and marking are the same as for standard marking and the same quantity discounts apply. Consult factory for price and delivery.



#### Closed Barrier Terminal Block Marking Options

- L1 & LT1 = Upright numerals, numbered from left to right
- L2 & LT2 = Upright numerals, numbered from right to left
- L3 = Left lying numerals, numbered from left to right
- L4 = Right lying numerals, numbered from right to left
- L5 & LT5 = Upside down numerals, numbered from right to left
- L6 & LT6 = Upside down numerals, numbered from left to right

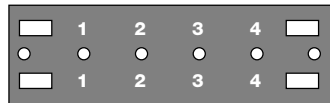
**Options LT1 - LT6**  
**Top Marking**  
For high visibility in tight packages.



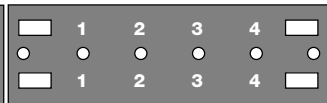
**Options L1 - L6**  
**Regular Marking**

#### Marker Strips

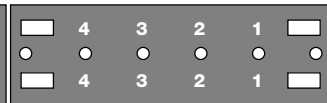
Black marker strips with white numerals mount beneath the terminal blocks to clearly identify terminal and wire positions. Available with forward or reverse markings, top or bottom of strip. If special markings are required, submit a drawing.



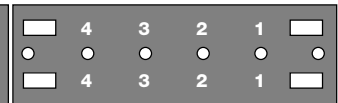
Bottom Forward - **BF**



Top Forward - **TF**



Bottom Reverse - **BR**



Top Reverse - **TR**

#### Series



- MS1** - 1000 Series
- MS2** - 2000 Series
- MS3** - 3000 Series

#### Base



- 1** - mount end, feed thru
- 2** - barrier end, feed thru
- 3** - mount end, insulator tubes
- 4** - barrier end, insulator tubes
- 5** - mount end, non feed-thru

#### Poles



**02 to 36**

#### Marking



- BF** - bottom forward
- TF** - top forward
- BR** - bottom reverse
- TR** - top reverse

**All Series Accessories**

Single Row Terminal Blocks *Continued*

**Cover Options - Single Row**

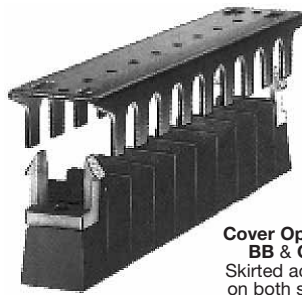
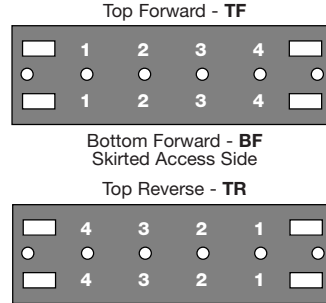
**Terminal Block Covers**

Available for Series A1000, A2000, A3000, A4000, CB2000, CB3000, LP2000, & LP3000.  
 Three styles of UL 94V0 thermoplastic covers are offered in black. Covers are ordered separately and supplied with two clips each, unless ordered without clips. Optional markings may be specified (black on yellow; white on black).

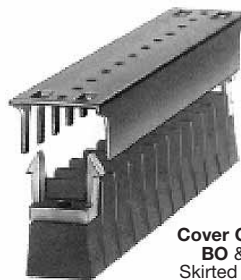
Notes: Covers can not be used with:   
 • mounting plate options MP & MT.   
 • certain quick connect terminals.   
 • 0, 6, & 9 base/end styles on A2 or A3

Bulk Cover Clips: Series 1000 = **CC1-J**; Series 2000 & 3000 = **CC2-J**; Series 4000 = **CC4-J**.

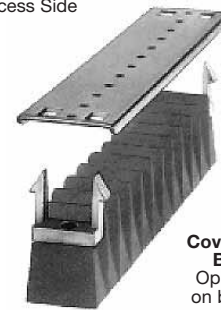
**Standard Cover Markings**



**Cover Options BB & CB**  
Skirted access on both sides.



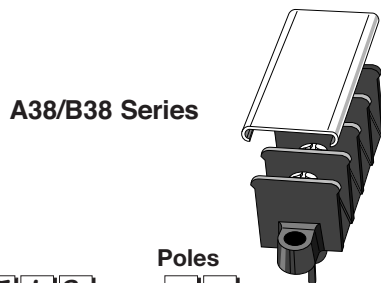
**Cover Options BO & CO**  
Skirted access on one side only.



**Cover Options BC & TC**  
Open access on both sides.

Cover	Series	Poles	Markings	Options
<b>BB</b> - skirted access, both sides, black <b>BO</b> - skirted access, one side, black <b>BC</b> - open access, both sides, black* * Not available in 4000 Series	<b>1</b> - 1000 <b>2</b> - 2000 <b>3</b> - 3000 <b>4</b> - 4000	<b>02 to 36</b>	<b>BF</b> - bottom forward <b>TF</b> - top forward <b>BR</b> - bottom reverse <b>TR</b> - top reverse	<b>00</b> - without clips

**Snap-On Covers for A38/B38/F38 Series & CB2/CB3 Series**



	Poles	
		<b>A38 Series</b>
		<b>B38 Series</b>
		<b>F38 Series</b>



	Poles	
		<b>CB2 Series</b>
		<b>CB3 Series</b>

Terminal Blocks:  
Single & Double Row

EuroMag Series

Terminal Blocks:  
Base & Rail Mount

Power Distribution  
Blocks

Wire Management  
Products

Edge Connectors,  
One-Sided Boards

Compliance  
References

Terminal Blocks: Single & Double Row  
EuroMag Series  
Terminal Blocks: Base & Rail Mount  
Power Distribution Blocks  
Wire Management Products  
Edge Connectors, One-Sided Boards  
Compliance References

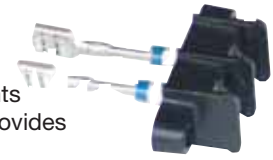
### F38 Series Filtered Terminal Blocks

#### SPECIFICATIONS

- Ratings:** 35A, 240Vac, 300Vdc.
- Center Spacing:** 0.437" or 7/16" (11.10mm)
- Wire Size:** # 10-22 AWG CU
- Screw Size:** # 8-32 (# 6-32 available, consult factory)
- Torque Rating:** 15 lb-in.
- Operating Temperature:** -55°C to +105°C.
- Housing Material:** 94V0 thermoplastic.
- Molded Material:** Black, UL rated 94V0 thermoplastic.
- Terminal Material:** Brass, tin-plated
- Capacitance:** 1000 pF to 5000 pF in either C or Pi Schematic
- Dielectric Withstanding Voltage:** 1000 Vac; 1700Vdc
- DC Resistance:** 0.01 ohms max.
- Agency Information:** UL File E62622, CE Certified

#### FEATURES

- Rugged integrated construction of filtering elements around a solid brass pin provides excellent EMI/RFI filtering
- Filter element provides high insertion loss for EMI/RFI filtering of AC and DC power and control lines
- 2 to 8 terminals standard – up to 16 poles available
- Cost-effective EMI solution for industrial interconnection filtering
- Termination options are straight lead, male or female quick connect
- Custom and special options available including:
  - Different capacitance values on each position
  - Wire assemblies added to pins



# of Poles	A Front Mount	A Rear Mount	B	C	D
2	1.67	1.88	1.31	0.93	0.44
3	2.10	2.32	1.75	1.37	0.88
4	2.54	2.76	2.19	1.81	1.31
5	2.98	3.19	2.63	2.25	1.75
6	3.41	3.63	3.06	2.68	2.19
7	3.85	4.07	3.50	3.12	2.62
8	4.29	4.51	3.94	3.56	3.06

#### Insertion Loss for 2,500 pF Pi Schematic Typical Insertion Loss (dB) in 50 Ohm Circuit

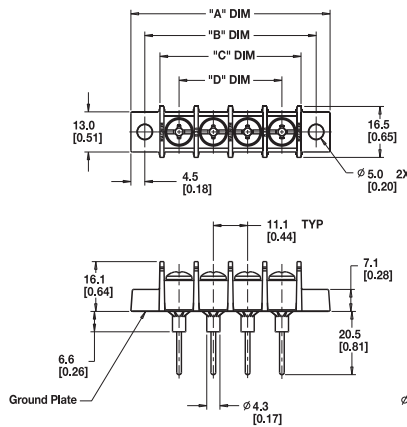
30MHz	.42 dB	300 MHz	.68 dB
50 MHz	.45 dB	1000 MHz	.70 dB
100 MHz	.50 dB		

\* Note: For other capacitance insertion loss, consult factory.

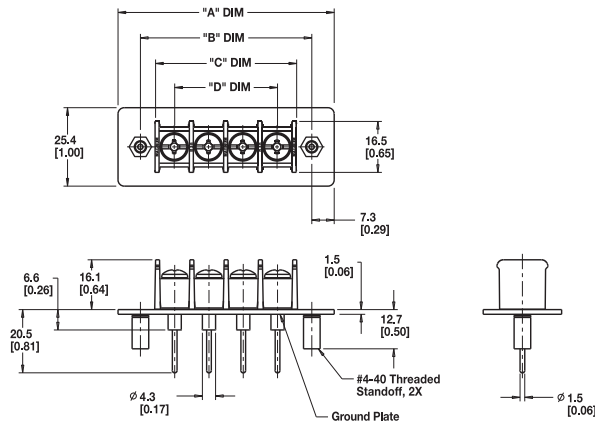
\* Note: In inches. Available up to 16 poles. Consult factory.

#### Dimensions - mm (in)

##### O - Front Panel Mount



##### I - Rear Panel Mount



### Part Numbering System

Inches (Millimeters)

Series	Terminal Style	Mounting	# of Poles	Screw Options	Filter Options	Capacitance
<b>F38</b>	<ul style="list-style-type: none"> <li>0 - straight lead</li> <li>1 - 0.187" quick connect (male)</li> <li>2 - 0.187" quick connect (male)</li> <li>3 - 0.250" quick connect (male)</li> <li>4 - 0.250" quick connect (female)</li> </ul>	<ul style="list-style-type: none"> <li>0 - front panel mount with mount ends</li> <li>1 - rear panel mount with #4-40 threaded inserts</li> </ul>	<ul style="list-style-type: none"> <li>02 to 08*</li> </ul>	<ul style="list-style-type: none"> <li>Blank - #8-32, steel, zinc-plated phillslot BHMS (standard)</li> <li>04 - #8-32, brass, nickel-plated phillslot BHMS</li> <li>92 - #8-32, steel, zinc-plated slotted BHMS</li> <li>94 - #8-32, brass, nickel-plated slotted BHMS</li> </ul>	<ul style="list-style-type: none"> <li>C - C Filter</li> <li>P - Pi Filter</li> </ul>	<ul style="list-style-type: none"> <li>1.0 - 1000 pF + 100%-0%</li> <li>2.5 - 2500 pF + 100%-0%</li> <li>5.0 - 5000 pF + 100%-0%</li> </ul>

\* Note: Standard is 02-08 poles. Available up to 16 poles. Consult factory for availability. Special electrical/mechanical configurations are available upon request from factory.



## Series TB100

### Double Row Terminal Blocks

#### SPECIFICATIONS

**Rating:** 30A, 300V\*

**Center Spacing:** 0.375" or 3/8" (9.52mm)

**Wire Range:** #14 - 22 AWG CU

**Screw Size:** #6-32 phillslot screws

**Torque Rating:** 9 lb-in.

**Distance Between Barriers:** 0.30" (7.62mm)

**Mounting:** #6 screws

**Operating Temperature:** 130°C (266°F) max., -40°C (-40°F) min.

**Materials:** Molded base: Black, UL rated 94V0 thermoplastic

Terminal plating: Tin over brass; Screws: Zinc-plated steel

**Breakdown Voltage:** 3600V

**Agency Information:** UL File E62622/CSA File 47235; IEC

Compliance; CE Certified

\* Max. rating shown; some options may be rated lower - consult factory.



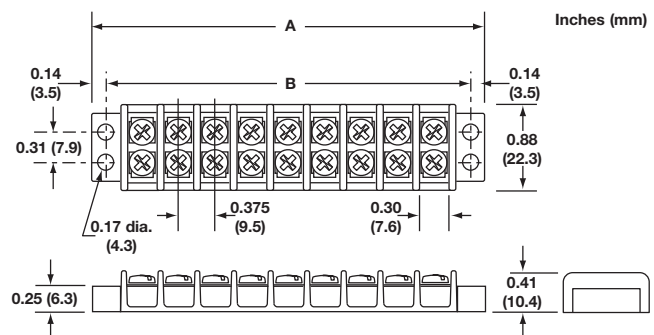
TB100-08



TB100-04SP

#### Dimensions - in (mm)

##### TB100



Poles	A	B	Poles	A	B	Poles	A	B
02	1.40	1.12	14	5.90	5.62	26	10.40	10.12
03	1.78	1.50	15	6.28	6.00	27	10.78	10.50
04	2.16	1.88	16	6.66	6.38	28	11.16	10.88
05	2.53	2.25	17	7.03	6.75	29	11.53	11.25
06	2.90	2.62	18	7.40	7.12	30	11.90	11.62
07	3.28	3.00	19	7.78	7.50	31	12.28	12.00
08	3.66	3.38	20	8.16	7.88	32	12.66	12.38
09	4.03	3.75	21	8.53	8.25	33	13.03	12.75
10	4.40	4.12	22	8.90	8.62	34	13.40	13.12
11	4.78	4.50	23	9.28	9.00	35	13.78	13.50
12	5.16	4.88	24	9.66	9.38	36	14.16	13.88
13	5.53	5.25	25	10.03	9.75			

\* Dimensions in inches. To convert to millimeters, multiply by 25.4.

## Part Numbering System

#### Series

T B 1 0 0

#### Poles

□ □

02 to 36

#### Screw Options

□ □

- Blank - steel phillslot, zinc-plated
- 00 - screws shipped bulk
- B - brass phillslot, nickel-plated
- BS - brass Sems phillslot, nickel-plated
- SP - steel Sems phillslot, zinc-plated
- P - steel Sems (P-style)
- ST - stainless steel, phillslot
- STR - stainless steel, phillips (recess)

#### Marking

□ □

- L1 to L6 - (pg 32)
- Marker strips (pg 33)
- Covers (pg 32)

#### Hardware Options

□ □ □ □

- QC1 to QC20 - quick connects
- †J101 - flat slip-on jumper (2 position only)
- †0J2 - over barrier jumpers
- †0J4 - over barrier jumpers

† Contact factory for pole configuration.



## Screw Options



**B**  
Brass Philslot  
Nickel-Plated



**BS**  
Brass SEMS  
Philslot Nickel-Plated



**SP**  
Steel SEMS  
Philslot Zinc-Plated



**ST**  
Stainless Steel  
Philslot



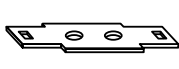
**P**  
Steel SEMS  
(P-Style)



**STR**  
Stainless Steel  
Phillips (recess)

## Hardware Options (Bulk ordering part numbers are in parentheses.)

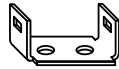
**Quick Connects – Assembled** Terminal 0.187" x 0.020". Max. current rating 13 Amps. For other orientations, contact factory.



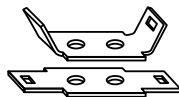
QC1



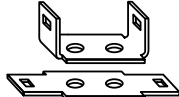
QC2



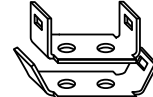
QC3



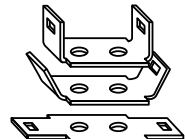
QC4



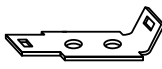
QC5



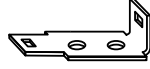
QC6



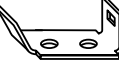
QC7



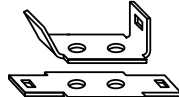
QC8



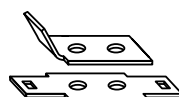
QC9



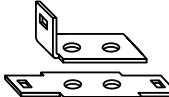
QC10



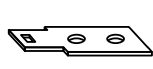
QC11



QC12



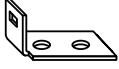
QC13



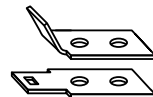
QC14



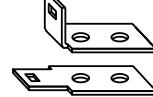
QC15



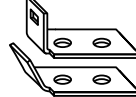
QC16



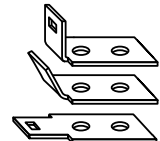
QC17



QC18

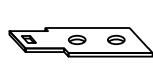


QC19



QC20

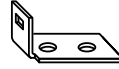
**Quick Connects – Bulk** Min. order per part no. – 100 pieces.



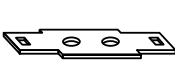
QC101  
Flat – none



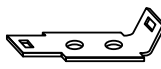
QC102  
QC 45° – none



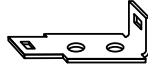
QC103  
QC 90° – none



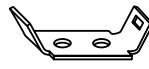
QC104  
Flat – Flat



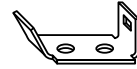
QC105  
Flat – QC 45°



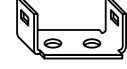
QC106  
Flat – QC 90°



QC107  
QC 45° – QC 45°



QC108  
QC 45° – QC 90°

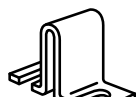


QC109  
QC 90° – QC 90°

**Jumpers – Bulk** Min. order per part no. – 100 pieces. Contact factory for jumper assembly.



†J101  
Flat slip-on  
(J101-J)



†OJ2  
Slip-on over barrier  
(OJ2-J)



†OJ4  
Closed over barrier  
(OJ4-J)

† Contact factory for pole configuration.

## Series TB200 & TB200HB Double Row Terminal Blocks

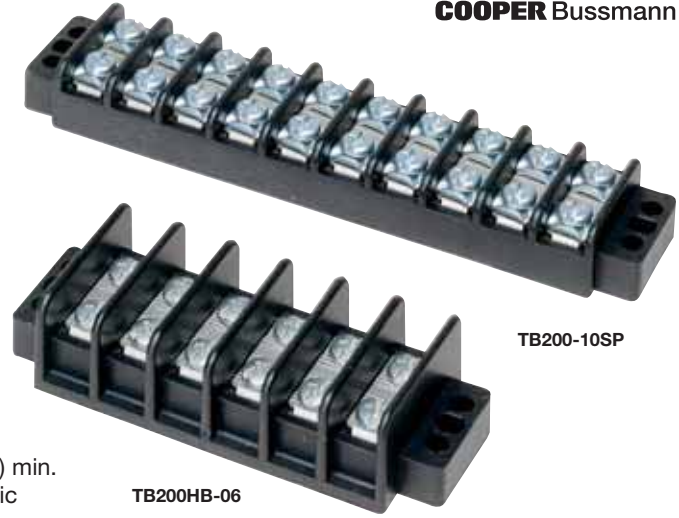
### SPECIFICATIONS

- Rating:** TB200 - 30A, 300V\*  
TB200HB - 30A, 600V\*
- Center Spacing:** 0.437" or 7/16" (11.10mm)
- Wire Range:** #12 - 22 AWG CU
- Screw Size:** #6-32 phillslot screws
- Torque Rating:** 9 lb-in.
- Distance Between Barriers:** 0.353" (8.97mm)
- Mounting:** #6 screws
- Operating Temperature:** 130°C (266°F) max., -40°C (-40°F) min.
- Materials:** Molded base: Black, UL rated 94V0 thermoplastic  
Terminal plating: Tin over brass; Screws: zinc-plated steel
- Breakdown Voltage:** 4800V
- Agency Information:** UL File E62622, CSA File 47235 & 15364;  
IEC Compliance; CE Certified

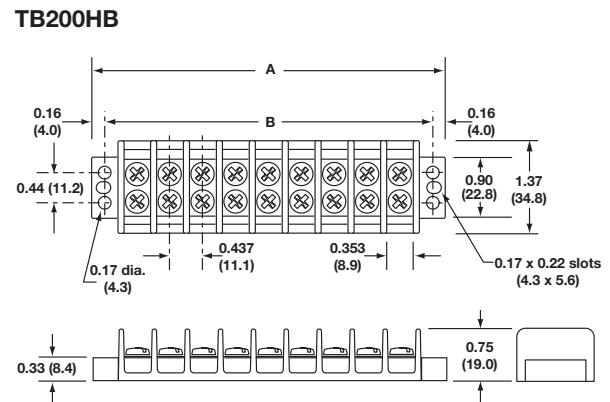
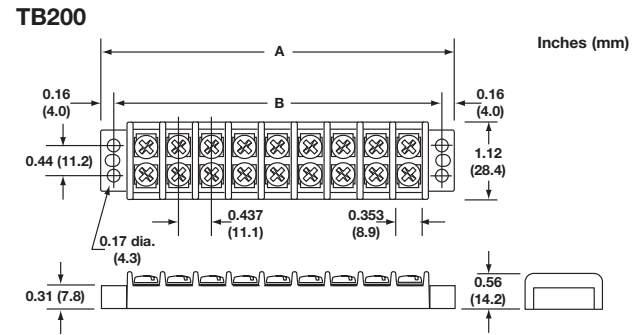
\* Max. rating shown; some options may be rated lower - consult factory.

Poles	A	B	Poles	A	B	Poles	A	B
02	1.63	1.31	12	6.00	5.68	22	10.37	10.06
03	2.07	1.75	13	6.44	6.12	23	10.81	10.50
04	2.51	2.18	14	6.87	6.56	24	11.25	10.93
05	2.94	2.62	15	7.31	7.00	25	11.68	11.37
06	3.38	3.06	16	7.75	7.43	26	12.12	11.81
07	3.82	3.50	17	8.19	7.87	27	12.56	12.25
08	4.25	3.93	18	8.62	8.31	28	13.00	12.68
09	4.69	4.37	19	9.06	8.75	29	13.44	13.12
10	5.13	4.81	20	9.50	9.18	30	13.87	13.56
11	5.57	5.25	21	9.94	9.62			

\* Dimensions in inches. To convert to millimeters, multiply by 25.4.



### Dimensions - in (mm)



## Part Numbering System

### Series



**200** - Standard  
**200HB** - High barrier

### Poles

**02 to 30**

### Screw Options



- Blank - steel phillslot, zinc-plated
- 00** - screws shipped bulk
- B** - brass phillslot, nickel-plated
- BS** - brass Sems phillslot, nickel-plated
- SP** - steel Sems phillslot, zinc-plated
- P** - steel Sems (P-style)
- ST** - stainless steel, phillslot
- SS** - stainless steel Sems, phillslot
- STR** - stainless steel, phillips (recess)

### Marking



- L1 to L6** - (pg 32)
- Marker strips (pg 32)
- Covers (pg 32)

### Hardware Options



- QC1 to QC20** - quick connects
- †J201** - flat slip-on jumper (2 position only)
- †0J3** - over barrier jumpers
- †0J5** - over barrier jumpers
- †0J7** - over barrier jumpers

† Contact factory for pole configuration

## Screw Options



**B**  
Brass Philslot  
Nickel-Plated



**BS**  
Brass SEMS  
Philslot Nickel-Plated



**SP**  
Steel SEMS  
Philslot Zinc-Plated



**P**  
Steel SEMS  
(P-Style)



**ST**  
Stainless Steel  
Philslot



**SS**  
Stainless Steel  
SEMS Philslot



**STR**  
Stainless Steel  
Phillips (recess)

## Hardware Options

(Bulk ordering part numbers are in parentheses.)

**Quick Connects – Assembled** Terminal 0.250" x 0.031". Max. current rating 20 Amps. For other orientations, contact facto-



QC1



QC2



QC3



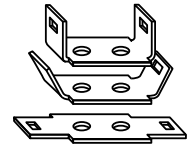
QC4



QC5



QC6



QC7



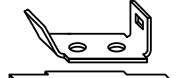
QC8



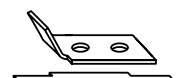
QC9



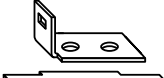
QC10



QC11



QC12



QC13



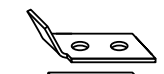
QC14



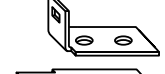
QC15



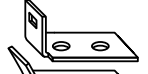
QC16



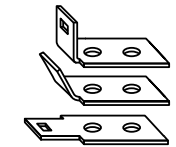
QC17



QC18



QC19



QC20

**Quick Connects – Bulk** Min. order per part no. – 100 pieces.



QC201  
Flat – none



QC202  
QC 45° – none



QC203  
QC 90° – none



QC204  
Flat – Flat



QC205  
Flat – QC 45°



QC206  
Flat – QC 90°



QC207  
QC 45° – QC 45°



QC208  
QC 45° – QC 90°



QC209  
QC 90° – QC 90°

**Jumpers – Bulk** Min. order per part no. – 100 pieces. Contact factory for jumper assembly.



†J201  
Flat slip-on  
(not available on  
TB200HB)  
(J201-J)



†OJ3  
Slip-on over barrier  
for TB200HB  
(OJ3-J)



†OJ5  
Closed over barrier  
for TB200HB  
(OJ5-J)



†OJ7  
Closed over barrier  
for TB200  
(OJ7-J)

† Contact factory for pole configuration.

## Series TB300 & TB345 Double Row Terminal Blocks

### SPECIFICATIONS

**Rating:** TB300 – 30A, 600V\*

TB345 – 45A, 600V\*

**Center Spacing:** 0.562" or 9/16" (14.28mm)

**Wire Range:** #8 - 22 AWG CU

**Screw Size:** TB300 – #8-32 phillslot screws

TB345 – #10-32 phillslot screws

**Torque Rating:** #8 screws - 16 lb-in.;

#10 screws - 20 lb-in.

**Distance Between Barriers:** 0.41" (10.5mm)

**Mounting:** TB300 – #8 screws; TB345 – #10 screws

**Operating Temperature:** 130°C (266°F) max., -40°C (-40°F) min.

**Material:** Molded base: Black, UL rated 94V0 thermoplastic  
Terminal plating: Tin over brass; Screws: zinc-plated steel

**Breakdown Voltage:** 7500V

**Agency Information:** UL File E62622, CSA File 47235; IEC Compliance; CE Certified

\* Max. rating shown; some options may be rated lower - consult factory.



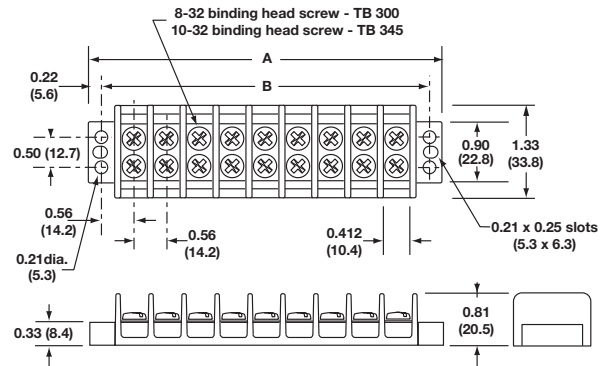
TB300-08



TB345-06SP

### Dimensions - in (mm)

#### TB300 & TB345



Poles	A	B	Poles	A	B	Poles	A	B
02	2.13	1.69	10	6.62	6.19	18	11.12	10.68
03	2.69	2.25	11	7.18	6.75	19	11.68	11.25
04	3.25	2.81	12	7.75	7.31	20	12.24	11.81
05	3.81	3.37	13	8.31	7.87	21	12.80	12.37
06	4.37	3.94	14	8.87	8.44	22	13.37	12.93
07	4.94	4.50	15	9.43	9.00	23	13.93	13.50
08	5.50	5.06	16	9.99	9.56	24	14.49	14.06
09	6.06	5.62	17	10.56	10.12			

\* Dimensions in inches. To convert to millimeters, multiply by 25.4.

## Part Numbering System

### Series



300 - 8-32 screw  
345 - 10-32 screw

### Poles



02 to 24

### Screw Options



Blank - steel phillslot, zinc-plated  
**00** - screws shipped bulk  
**B** - brass phillslot, nickel-plated  
**BS** - brass Sems phillslot, nickel-plated (TB300 only)  
**SP** - steel Sems phillslot, zinc-plated  
**P** - steel Sems (P-style) (TB300 Series only)  
**ST** - stainless steel, phillslot  
**STR** - stainless steel, phillips (recess)

### Marking



**L1 to L6** - (pg 32)  
 Marker strips (pg 33)  
 Covers (pg 32)

### Hardware Options



**QC1 to QC20** - quick connects (TB300 only)  
**†J301** - flat slip-on jumper  
**†OJ6** - over barrier jumper  
**†OJ11** - over barrier jumper

†Contact factory for pole configuration.

### Screw Options



**B**  
Brass Philslot  
Nickel-Plated



**BS**  
Brass SEMS  
Philslot Nickel-Plated



**SP**  
Steel SEMS  
Philslot Zinc-Plated



**P**  
Steel SEMS  
(P-Style)



**ST**  
Stainless Steel  
Philslot



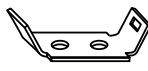
**STR**  
Stainless Steel  
Phillips (recess)

### Hardware Options

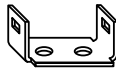
Quick Connects – Assembled **TB300** only. Terminals 0.250" x 0.031". Max. current rating 20 Amps. For other orientations, contact factory.



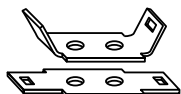
QC1



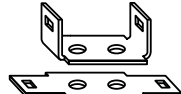
QC2



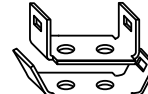
QC3



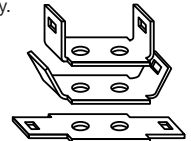
QC4



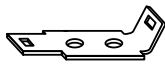
QC5



QC6



QC7



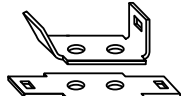
QC8



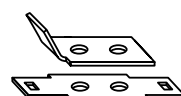
QC9



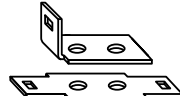
QC10



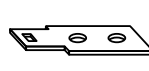
QC11



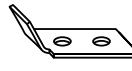
QC12



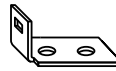
QC13



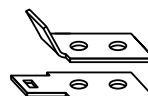
QC14



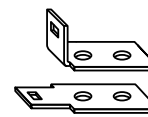
QC15



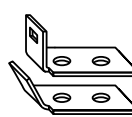
QC16



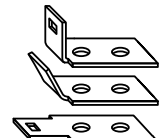
QC17



QC18

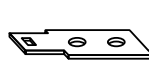


QC19

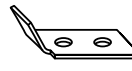


QC20

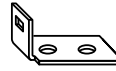
Quick Connects – Bulk \***TB300** only. Min. order per part no. – 100 pieces.



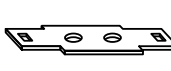
QC201  
Flat – none



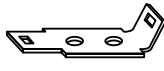
QC202  
QC 45° – none



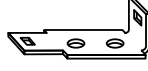
QC203  
QC 90° – none



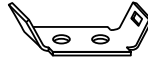
QC204  
Flat – Flat



QC205  
Flat – QC 45°



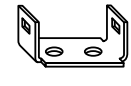
QC206  
Flat – QC 90°



QC207  
QC 45° – QC 45°



QC208  
QC 45° – QC 90°



QC209  
QC 90° – QC 90°

Jumpers – Bulk Min. order per part no. – 100 pieces. Contact factory for jumper assembly.



†J301  
Flat slip-on  
(TB300 only)  
(J301-J)



†OJ6  
Closed over barrier  
(OJ6-J)



†OJ11  
Slip-on over barrier  
(OJ11-J)

†Contact factory for pole configuration.

Terminal Blocks:  
Single & Double Row

EuroMag Series

Terminal Blocks:  
Base & Rail Mount

Power Distribution  
Blocks

Wire Management  
Products

Edge Connectors,  
One-Sided Boards

Compliance  
References

## Series TB400

### Double Row Terminal Blocks

#### SPECIFICATIONS

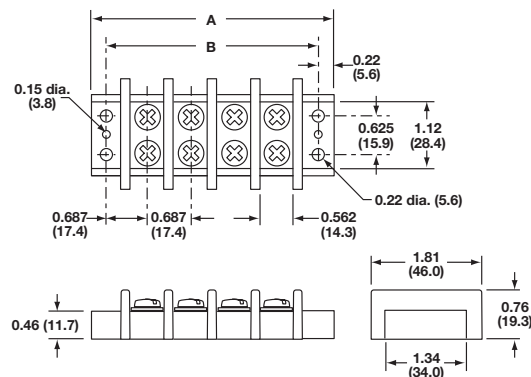
- Rating:** 75A, 600V
- Center Spacing:** 0.687" or 11/16" (17.45mm)
- Wire Range:** #6-14 AWG CU
- Screw Size:** #10-32 philslot screws
- Torque Rating:** 20 lb-in.
- Distance Between Barriers:** 0.56" (14.3mm)
- Mounting:** #10 screws
- Operating Temperature:** 130°C (266°F) max., -40°C (-40°F) min.
- Material:** Molded base: Black, UL rated 94V0 thermoplastic  
Terminal plating: Tin over brass; Screws: zinc-plated steel
- Breakdown Voltage:** 7500V
- Agency Information:** UL File E62622, CSA File 47235; IEC Compliance; CE Certified



TB400-05

#### Dimensions - in (mm)

#### TB400



Poles	A	B	Poles	A	B	Poles	A	B
02	2.51	2.06	06	5.26	4.81	10	8.01	7.56
03	3.20	2.75	07	5.95	5.50	11	8.70	8.25
04	3.89	3.44	08	6.64	6.19	12	9.39	8.94
05	4.58	4.13	09	7.33	6.88			

\* Dimensions in inches. To convert to millimeters, multiply by 25.4.

### Screw Options



**B**  
Brass Philslot  
Nickel-Plated

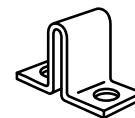


**ST**  
Stainless Steel  
Philslot



**STR**  
Stainless Steel  
Phillips (recess)

### Hardware Options



**OJ14**  
Closed over barrier

### Part Numbering System

#### Series



#### Poles



02 to 12

#### Screw Options



- Blank - steel philslot, zinc-plated
- 00 - screws shipped bulk
- B - brass philslot, nickel-plated
- ST - stainless steel, philslot
- STR - stainless steel, phillips (recess)

#### Marking

Not available

#### Hardware Options

†OJ14 - Jumper over barrier

†Contact factory for pole configuration.



## All Series Marking Options & Accessories

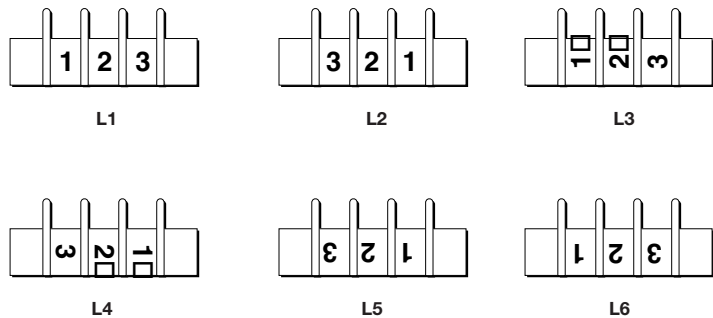
### Double Row Terminal Blocks

#### Marking Options

##### Standard Marking

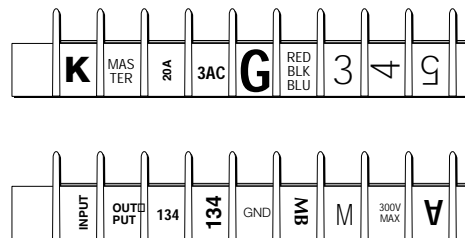
Standard markings are applied directly to the side(s) of a block. Standard color is white. Standard height is 0.125".

Note: Blocks marked on both sides require a different code for each side. Example Style L1 on one side of the block requires Style L2 on the other side to ensure common terminal marking. To order, add appropriate suffix (L1, L2, L3, L4, L5 and/or L6) to block part number in the proper sequence.



##### Special Marking

Special markings are available at an additional charge for preparation. Production charges for setup, handling and marking are the same as for standard marking. Drawing(s) must be submitted to ensure accuracy of part required. Consult factory for price and delivery.



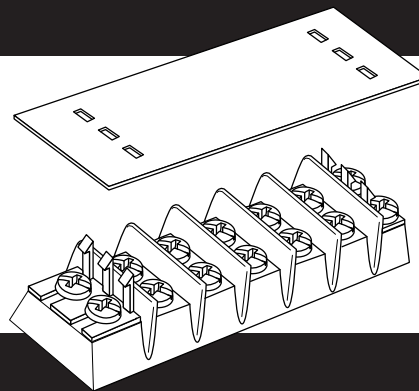
Note: Marking is not available on TB400 Series

#### Covers

Covers prevent personnel, screws and foreign items from contacting live terminals. Available in white or clear plastic. Two cover clips supplied with each cover. Cover width is 1.31 inches.

All covers must be ordered separately. Consult factory for special legends.

Example: 10 position cover, white, TB100 Series, no legends . . . Part number is X12010.



#### Part Numbering System

##### Series



##### Cover Strip



120 - TB100/white  
119 - TB100/clear  
220 - TB200/TB200HB - white  
219 - TB200/TB200HB - clear  
320 - TB300 & TB345 - white  
319 - TB300 & TB345 - clear

##### Poles



02 to 36 (TB100)  
02 to 30 (TB200/TB200HB)  
02 to 24 (TB300/TB345)

##### High Barrier Option Only



HB = High Barrier

Example: 10 position cover, white, TB100 Series, no legends . . . Part number is X12010.

##### Cover Clips – Bulk

Part Number  
DD1-J – TB100 Series  
DD2-J – TB200 Series  
DD2HB-J – TB200HB Series  
DD3-J – TB300 Series

Note: Covers are not available on TB400 Series.

## Top & Bottom Marking Strips

### Double Row Terminal Blocks

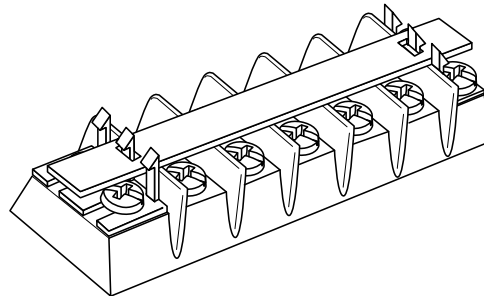
#### Top Marker Strips

Top mounting marker strips are available in white (opaque) plastic. Two cover clips are supplied with each marker strip.

All top marker strips must be ordered separately. Consult factory for special legends.

Example: 12 position cover, TB200, 0.032" x 0.312", with no legends . . . Part No. is X20312.

Example: 12 position cover, TB200HB, 0.060" x 0.500", with no legends . . . Part No. is X23312HB.



### Part Numbering System

#### Series



#### Top Marker Strip



- 133** - TB100 (0.060 thk x 0.500w)
- 103** - TB100 (0.032 thk x 0.312w)
- 233** - TB200/TB200HB (0.060 thk x 0.500w)
- 203** - TB200/TB200HB (0.032 thk x 0.312w)
- 333** - TB300 & TB345 (0.060 thk x 0.500w)
- 303** - TB300 & TB345 (0.032 thk x 0.380w)

#### Poles



- 02 to 36** (TB100)
- 02 to 30** (TB200/TB200HB)
- 02 to 24** (TB300/TB345)

Note: Marking Strips are not available on TB400 Series.

#### High Barrier Option Only



**HB** = High Barrier

Example: 12 position cover, TB200HB, 0.060" x 0.500", with no legends . . . Part No. is X23312HB.

#### Bottom Marker Strips

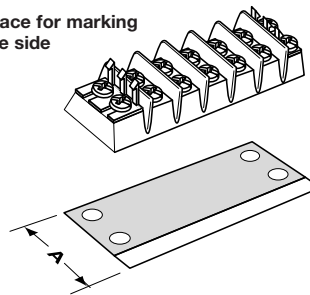
Bottom mounting marker strips are made of black PVC, 0.030" thick. Space is available to handle most marking situations. All marker strips must be ordered separately.

To order, specify part number, required legends and (BF) bottom forward, (BR) bottom reverse, (TF) top forward, or (TR) top reverse. Consult factory for specials.

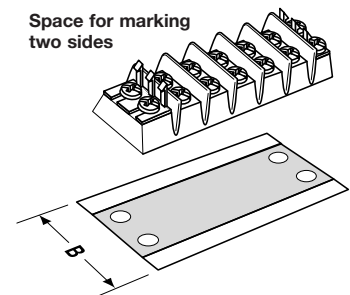
Example: 13 position strip, TB100 with no legends, space for marking one side . . . Part number is X10513.

Position for legends (one side, two sides) can be specified standard. Standard legend height is 0.125". Standard legends are 0-99 and A-Z. Special legends are available on special order. Drawing(s) must be submitted to ensure accuracy of part required.

Space for marking one side



Space for marking two sides



	TB100	TB200	TB200HB	TB300	TB345	TB400
<b>Dim. A</b>	1.13"	1.37"	1.62"	1.58"	1.58"	N/A
<b>Dim. B</b>	1.38"	1.62"	1.81"	1.81"	1.81"	N/A

### Part Numbering System

#### Series



#### Bottom Marker Strip



- 105** - TB100 - marking one side
- 101** - TB100 - marking both sides
- 205** - TB200 - marking one side
- 201** - TB200 - marking both sides
- 295** - TB200HB - marking one side
- 291** - TB200HB - marking both sides
- 305** - TB300 & TB345 - marking one side
- 301** - TB300 & TB345 - marking both sides

#### Poles



- 02 to 36** (TB100)
- 02 to 30** (TB200/TB200HB)
- 02 to 24** (TB300/TB345)

#### High Barrier Option Only



**HB** = High Barrier

#### Orientation



- BF** - bottom forward
- BR** - bottom reverse
- TF** - top forward
- TR** - top reverse

Note: Marking Strips are not available on TB400 Series.

**Series TS - Standard Base**

Terminal Blocks; 8.00, 10.00, 12.00, 13.50mm Centers

**SPECIFICATIONS**

**Rating:** TS08 – 20A, 600V  
 TS10 – 30A, 600V  
 TS12 – 35A, 600V  
 TS14 – 50A, 600V

**Wire Range:** See Table

**Housing Material:** Polyamide Type 6/6, 94V2 (white)

**Contact Material:** Nickel-Plated Brass

**Wire Protector:** Stainless Steel

**Screw Size:** See Table

**Operating Temperature:** 105°C (221°F) max., -30°C (-22°F) min.

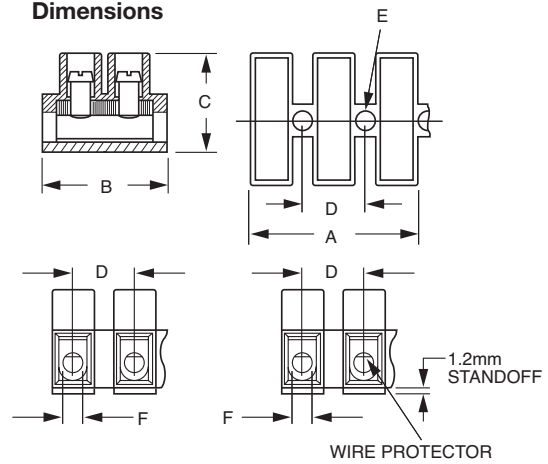
**Torque Rating:** See Table

**Construction:** Mold-to-Length

**Agency Information:** UL File E62622; CE Certified



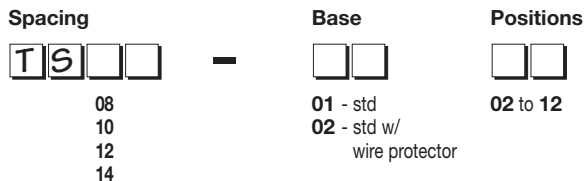
**Dimensions**



# of Poles	A Dimensions							
	TS08		TS10		TS12		TS14	
	mm	in	mm	in	mm	in	mm	in
2	15.80	0.622	17.50	0.689	20.70	0.815	23.00	0.906
3	23.80	0.937	27.50	1.083	32.70	1.287	36.50	1.437
4	31.80	1.252	37.50	1.476	44.70	1.760	50.00	1.969
5	39.80	1.567	47.50	1.870	56.70	2.232	63.50	2.500
6	47.80	1.882	57.50	2.264	68.70	2.705	77.00	3.031
7	55.80	2.232	67.50	2.657	80.70	3.177	90.50	3.563
8	63.80	2.512	77.50	3.051	92.70	3.650	104.00	4.094
9	71.80	2.827	87.50	3.445	104.70	4.122	117.50	4.626
10	79.80	3.142	97.50	3.839	116.70	4.594	131.00	5.157
11	87.80	3.457	107.50	4.232	128.70	5.067	144.50	5.689
12	95.80	3.772	117.50	4.626	140.70	5.539	158.00	6.220

Position	Torque lb-in	Clamping Area	Wire Range AWG (Cu)	Dimensions mm (in)					
				Screw	B	C	D	E	F
TS0801	3.5	4.0mm <sup>2</sup>	22-12 Sol./Str.	M2.6x5	17.00 (0.67)	14.50 (0.57)	8.00 (0.32)	2.90 (0.11)	2.8±0.1 (0.11)
TS0802	3.5	1.5mm <sup>2</sup>	22-12 Sol./Str.	M2.6x5	17.00 (0.67)	14.50 (0.57)	8.00 (0.32)	2.90 (0.11)	2.8±0.1 (0.11)
TS1001	4.4	6.0mm <sup>2</sup>	22-10 Sol. 14-10 Str.	M3.0x6	20.20 (0.80)	17.00 (0.67)	10.00 (0.39)	3.60 (0.14)	3.4±0.1 (0.13)
TS1002	4.4	2.5mm <sup>2</sup>	22-12 Sol./Str. 10 Sol.	M3.0x6	20.20 (0.80)	17.00 (0.67)	10.00 (0.39)	3.60 (0.14)	3.4±0.1 (0.13)
TS1201	7.0	10.0mm <sup>2</sup>	22-10 Sol./Str.	M3.5x7	23.80 (0.94)	19.00 (0.75)	12.00 (0.47)	3.90 (0.14)	4.2±0.1 (0.15)
TS1202	7.0	6.0mm <sup>2</sup>	22-10 Sol./Str.	M3.5x7	23.80 (0.94)	19.00 (0.75)	12.00 (0.47)	3.90 (0.15)	4.2±0.1 (0.15)
TS1401	12.0	16.0mm <sup>2</sup>	20-8 Sol./Str.	M4.0x9	25.60 (1.01)	25.20 (0.99)	13.50 (0.53)	4.40 (0.17)	5.0±0.1 (0.19)
TS1402	12.0	10.0mm <sup>2</sup>	20-8 Sol./Str.	M4.0x9	25.60 (1.01)	25.20 (0.99)	13.50 (0.53)	4.40 (0.17)	5.0±0.1 (0.19)

**Part Numbering System**



## Series TS - Flat Base

Terminal Blocks; 8.00, 10.00mm Centers

### SPECIFICATIONS

**Rating:** TS08 – 20A, 600V  
TS10 – 30A, 600V

**Wire Range:** See Table

**Housing Material:** Polyamide Type 6/6, 94V2 (white)

**Contact Material:** Nickel-Plated Brass

**Wire Protector:** Stainless Steel

**Screw Size:** See Table

**Operating Temperature:** 105°C (221°F) max., -30°C (-22°F) min.

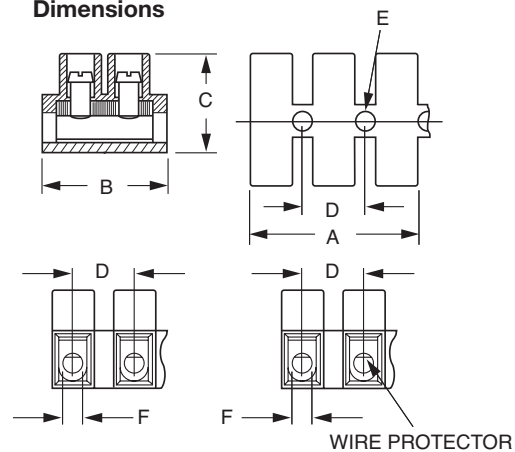
**Torque Rating:** See Table

**Construction:** Mold-to-Length

**Agency Information:** UL File E62622; CE Certified



### Dimensions



# of Poles	A Dimensions			
	TS08		TS10	
	mm	in	mm	in
2	15.80	0.622	17.50	0.689
3	23.80	0.937	27.50	1.083
4	31.80	1.252	37.50	1.476
5	39.80	1.567	47.50	1.870
6	47.80	1.882	57.50	2.264
7	55.80	2.232	67.50	2.657
8	63.80	2.512	77.50	3.051
9	71.80	2.827	87.50	3.445
10	79.80	3.142	97.50	3.839
11	87.80	3.457	107.50	4.232
12	95.80	3.772	117.50	4.626

Position	Torque lb-in	Clamping Area	Wire Range AWG (Cu)	Dimensions mm (in)					
				Screw	B	C	D	E	F
TS0803	3.5	4.0mm <sup>2</sup>	22-12 Sol./Str.	M2.6x5	16.30 (0.64)	13.30 (0.53)	8.00 (0.32)	2.90 (0.11)	2.8±0.1 (0.11)
TS0804	3.5	1.5mm <sup>2</sup>	22-12 Sol./Str.	M2.6x5	16.30 (0.64)	13.30 (0.52)	8.00 (0.32)	2.90 (0.11)	2.8±0.1 (0.11)
TS1003	4.4	6.0mm <sup>2</sup>	22-10 Sol. 14-10 Str.	M3.0x6	20.20 (0.80)	15.80 (0.62)	10.00 (0.39)	3.60 (0.14)	3.2±0.1 (0.13)
TS1004	4.4	2.5mm <sup>2</sup>	22-12 Sol./Str. 10 Sol.	M3.0x6	20.20 (0.80)	15.80 (0.62)	10.00 (0.39)	3.60 (0.14)	3.2±0.1 (0.13)

## Part Numbering System

### Spacing



08  
10

### Base

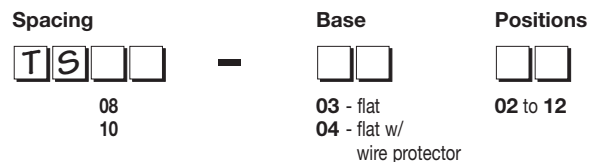


03 - flat  
04 - flat w/  
wire protector

### Positions



02 to 12



TS

-

02 to 12

08  
10

03 - flat  
04 - flat w/  
wire protector

02 to 12

Terminal Blocks:  
Single & Double Row

EuroMag Series

Terminal Blocks:  
Base & Rail Mount

Power Distribution  
Blocks

Wire Management  
Products

Edge Connectors,  
One-Sided Boards

Compliance  
References

**Series TS - Raised Base**

Terminal Blocks; 8.00, 10.00mm Centers

**SPECIFICATIONS**

**Rating:** TS08 – 20A, 600V  
TS10 – 30A, 600V

**Wire Range:** See Table

**Housing Material:** Polyamide Type 6/6, 94V2 (white)

**Contact Material:** nickel-plated Brass

**Wire Protector:** Stainless Steel

**Screw Size:** See Table

**Operating Temperature:** 105°C (221°F) max., -30°C (-22°F) min.

**Torque Rating:** See Table

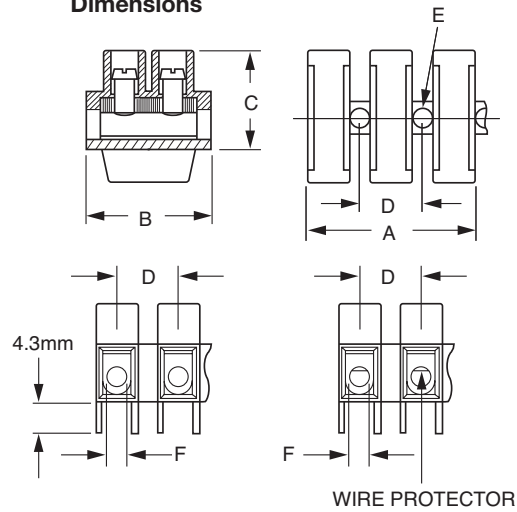
**Construction:** Mold to Length

**Agency Information:** UL File E62622; CE Certified



Note: TS Series standard base pictured above

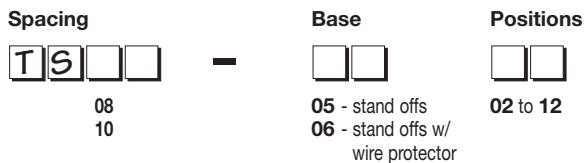
**Dimensions**



# of Poles	A Dimensions			
	TS08		TS10	
	mm	in	mm	in
2	15.80	0.622	17.50	0.689
3	23.80	0.937	27.50	1.083
4	31.80	1.252	37.50	1.476
5	39.80	1.567	47.50	1.870
6	47.80	1.882	57.50	2.264
7	55.80	2.232	67.50	2.657
8	63.80	2.512	77.50	3.051
9	71.80	2.827	87.50	3.445
10	79.80	3.142	97.50	3.839
11	87.80	3.457	107.50	4.232
12	95.80	3.772	117.50	4.626

Position	Torque lb-in	Clamping Area	Wire Range AWG (Cu)	Screw	Dimensions mm (in)				
					B	C	D	E	F
TS0805	3.5	4.0mm <sup>2</sup>	22-12 Sol./Str.	M2.6x5	16.30 (0.64)	16.90 (0.67)	8.00 (0.32)	2.90 (0.11)	2.8±0.1 (0.11)
TS0806	3.5	1.5mm <sup>2</sup>	22-12 Sol./Str.	M2.6x5	16.30 (0.64)	16.90 (0.67)	8.00 (0.32)	2.90 (0.11)	2.8±0.1 (0.11)
TS1005	4.4	6.0mm <sup>2</sup>	22-10 Sol. 14-10 Str.	M3.0x6	20.20 (0.80)	20.10 (0.79)	10.00 (0.39)	3.60 (0.14)	3.2±0.1 (0.13)
TS1006	4.4	2.5mm <sup>2</sup>	22-12 Sol./Str. 10 Sol.	M3.0x6	20.20 (0.80)	20.10 (0.79)	10.00 (0.39)	3.60 (0.14)	3.2±0.1 (0.13)

**Part Numbering System**



## EUROMAG (EM) SERIES

Aside from the collection covered in the next section, MAGNUM also offers a variety of other standard European style PCB terminal blocks. Configurations include straight to board, plug and header, screwless, insulation displacement connectors (IDC), 2-tiered, 3-tiered, mold-to-length, modular (stackable) design, and terminal blocks with horizontal, vertical, 35 and 45 degree wire entry orientations. Available center spacings range from 2.54 mm to 15.00 mm.

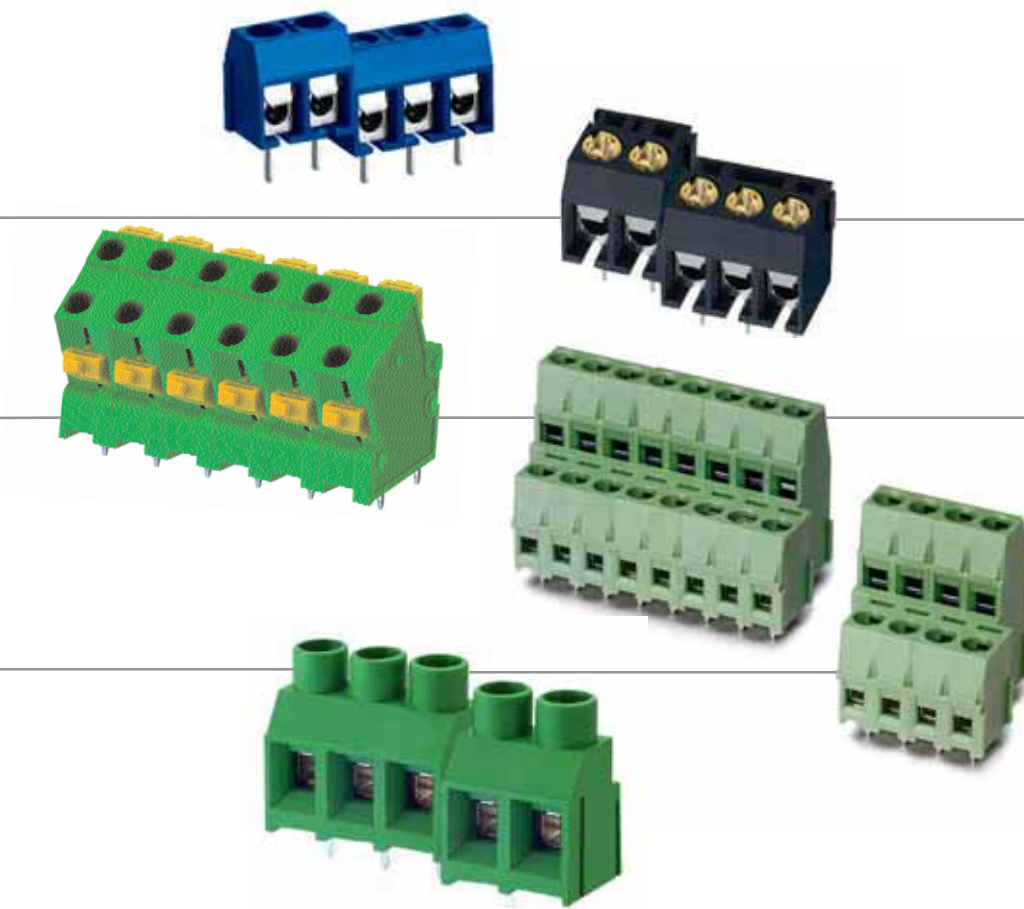
**Log onto our website at [www.cooperbusssmann.com/magnum](http://www.cooperbusssmann.com/magnum) to see all of MAGNUM's product offerings.**

### PCB Mount:

- Spring Clamp Design p38-46
- Cage Clamp Design p47-57
- Two & Three Tier p58-62
- High Current (28A-115A) p63-73

Screwless p74-82

Pluggable p83-115





**EM3123 Series**  
**Euro-Mag Terminal Blocks**  
 3.50 Centers; Modular

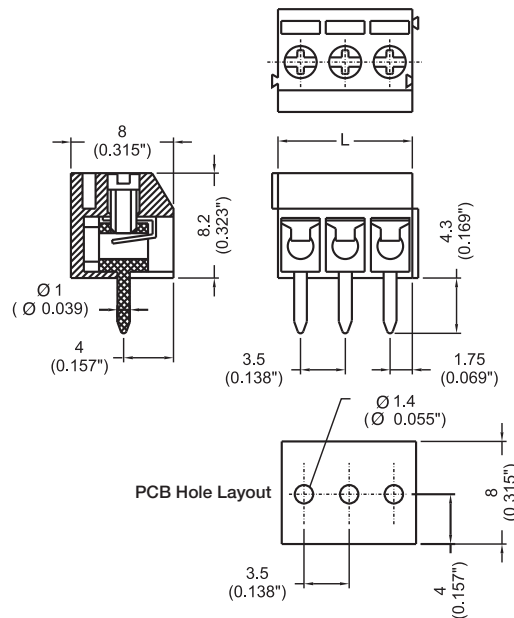
**SPECIFICATIONS**

- Rating:** 6A, 300V
- Center Spacing:** 0.138" (3.50mm)
- Wire Range:** #16-26 AWG
- Housing Material:** Black Polyamide Type 6/6, 94V0
- Contact Material:** Tin-Plated Brass
- Wire Protector:** Stainless Steel
- Screw Size:** M2.0 Chromate Steel
- Operating Temperature:** 105°C (221°F) max., -33°C (-27°F) min.
- Torque Rating:** 2.5 lb-in.
- Recommended PCB Hole Diameters:** 0.055" (1.40mm)
- Construction:** Modular design features dovetails for interlocking to achieve longer lengths
- Agency Information:** eULus File E62622; CE Certified



EM312305

**Dimensions - mm (in)**



Poles	L (mm)	Poles	L (mm)
2	7.0	14	49.5
3	10.5	15	52.5
4	14.0	16	56.0
5	17.5	17	59.5
6	21.0	18	63.0
7	24.5	19	66.5
8	28.0	20	70.0
9	31.5	21	73.5
10	35.0	22	77.0
11	38.5	23	80.5
12	42.0	24	84.0
13	45.5		

To convert to inches, divide by 25.4

**Part Numbering System**



Terminal Blocks:  
Single & Double Row

EuroMag Series

Terminal Blocks:  
Base & Rail Mount

Power Distribution  
Blocks

Wire Management  
Products

Edge Connectors,  
One-Sided Boards

Compliance  
References

**EM2665 Series**  
**Euro-Mag Terminal Blocks**  
 5.00 Centers

**SPECIFICATIONS**

- Rating:** 10A, 300V
- Center Spacing:** 0.197" (5.00mm)  
 Consult factory for 0.394" (10.00mm)
- Wire Range:** #14-22 AWG
- Housing Material:** UL rated 94V0 Thermoplastic
- Contact Material:** Brass Tin-Plated
- Screw Size:** M3x5 Zinc-Plated Steel
- Operating Temperature:** 105°C (221°F) max., -40°C (-40°F) min.
- Torque Rating:** 7 lb-in.
- Recommended PCB Hole Diameters:** 0.055" (1.40mm)
- Construction:** Mold to Length
- Connector Style:** Spring Clamp
- Agency Information:** e-RAUS File E62622; CE Certified



Terminal Blocks:  
Single & Double Row

EuroMag Series

Terminal Blocks:  
Base & Rail Mount

Power Distribution  
Blocks

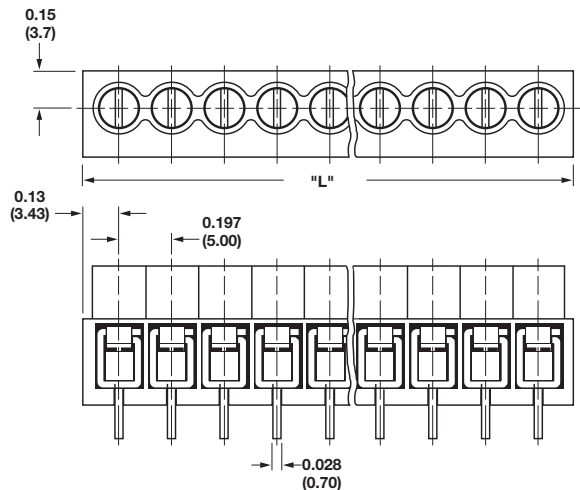
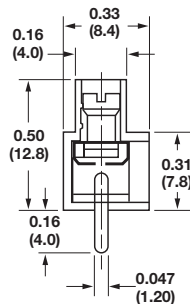
Wire Management  
Products

Edge Connectors,  
One-Sided Boards

Compliance  
References

Position	L (mm)	Position	L (mm)
02	10.0	14	70.0
03	15.0	15	75.0
04	20.0	16	80.0
05	25.0	17	85.0
06	30.0	18	90.0
07	35.0	19	95.0
08	40.0	20	100.0
09	45.0	21	105.0
10	50.0	22	110.0
11	55.0	23	115.0
12	60.0	24	120.0
13	65.0		

To convert to inches, divide by 25.4



Also available in 10.00mm (EM2661XX).

**Part Numbering System**

Series                      # of Positions

**EM2665**                   

                                    02 to 24



## EM3665 Series Euro-Mag Terminal Blocks

5.00 Centers; Modular

### SPECIFICATIONS

**Rating:** 10A, 300V

**Center Spacing:** 0.197" (5.00mm)

**Wire Range:** #16-22 AWG

**Housing Material:** UL rated 94V0 Thermoplastic

**Contact Material:** Tin-Plated Brass

**Screw Size:** M2.5x5 Zinc-Plated Steel

**Operating Temperature:** 105°C (221°F) max., -40°C (-40°F) min.

**Torque Rating:** 2.5 lb-in.

**Recommended PCB Hole Diameters:** 0.055" (1.40mm)

**Construction:** Modular design features dovetails for interlocking to achieve longer lengths

**Connector Style:** Spring Clamp

**Agency Information:** cULus File E62622; CE Certified

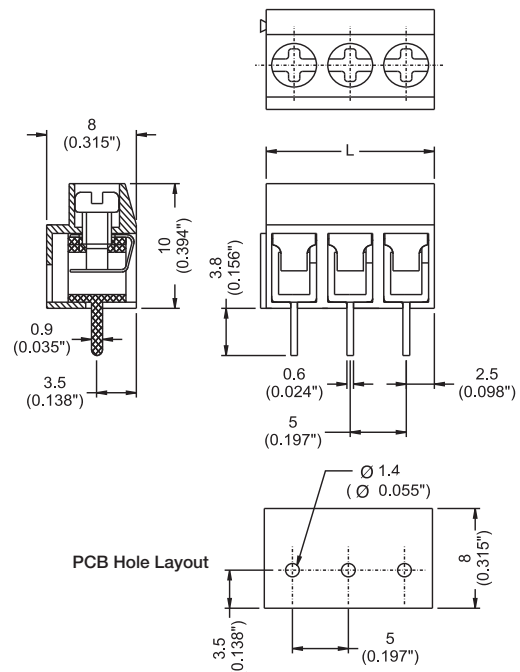


EM366512

Poles	L (mm)	Poles	L (mm)
2	10.0	14	70.0
3	15.0	15	75.0
4	20.0	16	80.0
5	25.0	17	85.0
6	30.0	18	90.0
7	35.0	19	95.0
8	40.0	20	100.0
9	45.0	21	105.0
10	50.0	22	110.0
11	55.0	23	115.0
12	60.0	24	120.0
13	65.0		

To convert to inches, divide by 25.4

### Dimensions - mm (in)



## Part Numbering System

Series

# of Poles

EM3665

□ □

02 to 24

Terminal Blocks:  
Single & Double Row

EuroMag Series

Terminal Blocks:  
Base & Rail Mount

Power Distribution  
Blocks

Wire Management  
Products

Edge Connectors,  
One-Sided Boards

Compliance  
References

**EM3675 Series**  
**Euro-Mag Terminal Blocks**  
 5.00 Centers

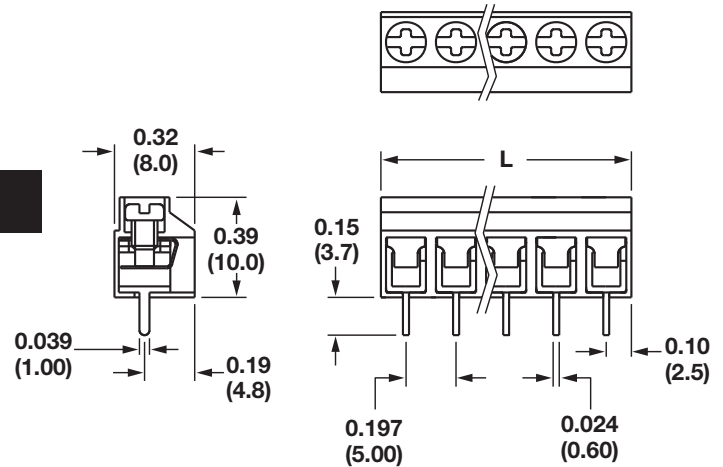
**SPECIFICATIONS**

- Rating:** 10A, 300V
- Center Spacing:** 0.197" (5.00mm)
- Wire Range:** #14-26 AWG
- Housing Material:** UL rated 94V0 Thermoplastic
- Contact Material:** Tin-Plated Brass
- Screw Size:** M2x6, Nickel-Plated Steel
- Operating Temperature:** 105°C (221°F) max., -40°C (-40°F) min.
- Torque Rating:** 4.0 lb-in.
- Recommended PCB Hole Diameters:** 0.055" (1.40mm)
- Construction:** Mold to Length
- Connector Style:** Spring Clamp
- Agency Information:** File E62622; CE Certified



EM367512

**Dimensions - mm (in)**



Poles	L (mm)	Poles	L (mm)
2	10.0	15	75.0
3	15.0	16	80.0
4	20.0	17	85.0
5	25.0	18	90.0
6	30.0	19	95.0
7	35.0	20	100.0
8	40.0	21	105.0
9	45.0	22	110.0
10	50.0	23	115.0
11	55.0	24	120.0
12	60.0	25	125.0
13	65.0	26	130.0
14	70.0	27	135.0


To convert to inches, divide by 25.4

**Part Numbering System**



**EM3127 Series**  
**Euro-Mag Terminal Blocks**  
7.50 Centers; Modular

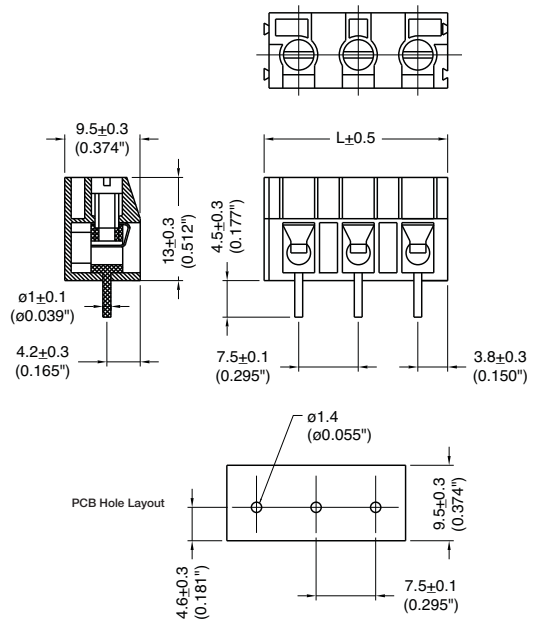
**SPECIFICATIONS**

- Rating:** 10A, 300V
- Center Spacing:** 0.295" (7.50mm)
- Wire Range:** #14-22 AWG
- Housing Material:** Black Polyamide Type 6/6, 94V0
- Contact Material:** Tin-Plated Brass
- Wire Protector:** Stainless Steel
- Screw Size:** M3.0 Nickel-Plated Steel
- Operating Temperature:** 105°C (221°F) max., -33°C (-27°F) min.
- Torque Rating:** 3.5 lb-in.
- Recommended PCB Hole Diameters:** 0.055" (1.40mm)
- Construction:** Modular design features dovetails for interlocking to achieve longer lengths
- Agency Information:**  US File E62622; CE Certified



EM312705

**Dimensions - mm (in)**



Poles	L (mm)	Poles	L (mm)
2	15.0	14	105.0
3	22.5	15	112.5
4	33.0	16	120.0
5	37.5	17	127.5
6	45.0	18	133.0
7	52.5	19	142.5
8	60.0	20	150.0
9	67.5	21	157.5
10	75.0	22	165.0
11	82.5	23	172.5
12	90.0	24	180.0
13	97.5		

To convert to inches, divide by 25.4

**Part Numbering System**





**EM2661 Series**  
**Euro-Mag Terminal Blocks**  
10.00 Centers

**SPECIFICATIONS**

- Rating:** 10A, 300V
- Center Spacing:** 0.394" (10.00mm)
- Wire Range:** #14-26 AWG
- Housing Material:** UL rated 94V0 Thermoplastic
- Contact Material:** Tin-Plated Brass
- Wire Protector:** Stainless Steel
- Screw Size:** M2.6 Chromate Steel
- Operating Temperature:** 105°C (221°F) max., -55°C (-40°F) min.
- Torque Rating:** 4.0 lb-in.
- Recommended PCB Hole Diameters:** 0.055" (1.40mm)
- Construction:** Mold-to-Length
- Agency Information:** File E62622; CE Certified

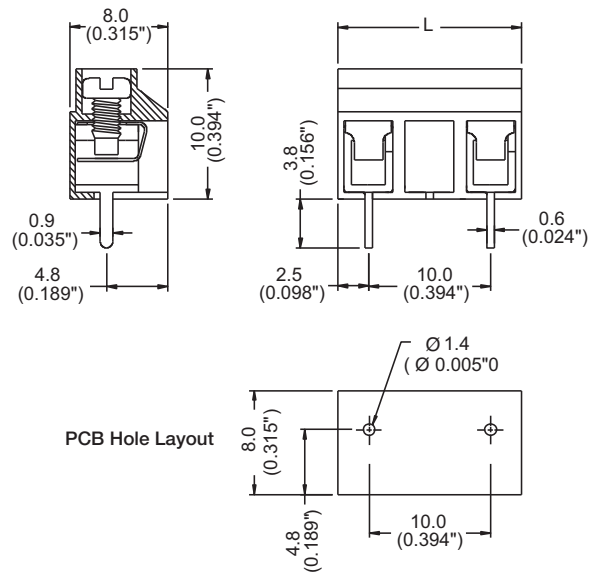


EM266106

Poles	L (mm)	Poles	L (mm)
2	15.0	8	75.0
3	25.0	9	85.0
4	35.0	10	95.0
5	45.0	11	105.0
6	55.0	12	115.0
7	65.0	13	125.0

To convert to inches, divide by 25.4

**Dimensions - mm (in)**



**Part Numbering System**



**EM3661 Series**  
**Euro-Mag Terminal Blocks**  
10.00 Centers; Modular

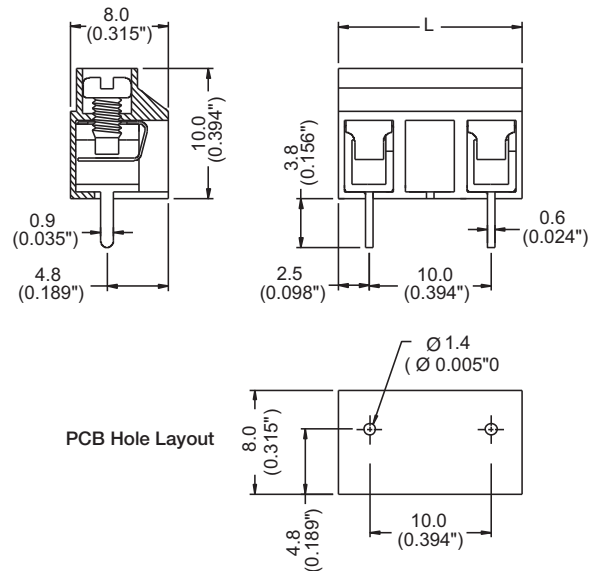
**SPECIFICATIONS**

- Rating:** 10A, 300V
- Center Spacing:** 0.394" (10.00mm)
- Wire Range:** #14-26 AWG
- Housing Material:** UL rated 94V0 Thermoplastic
- Contact Material:** Tin-Plated Brass
- Wire Protector:** Stainless Steel
- Screw Size:** M2.6 Chromate Steel
- Operating Temperature:** 105°C (221°F) max., -55°C (-40°F) min.
- Torque Rating:** 4.0 lb-in.
- Recommended PCB Hole Diameters:** 0.055" (1.40mm)
- Construction:** Modular design features dovetails for interlocking to achieve longer lengths
- Agency Information:**  US File E62622; CE Certified



EM366102

**Dimensions - mm (in)**



Poles	L (mm)	Poles	L (mm)
2	15.0	9	50.0
3	20.0	10	55.0
4	25.0	11	60.0
5	30.0	12	65.0
6	35.0	13	70.0
7	40.0	14	75.0
8	45.0		

To convert to inches, divide by 25.4

**Part Numbering System**



Terminal Blocks:  
Single & Double Row

EuroMag Series

Terminal Blocks:  
Base & Rail Mount

Power Distribution  
Blocks

Wire Management  
Products

Edge Connectors,  
One-Sided Boards

Compliance  
References

**EM3671 Series**  
**Euro-Mag Terminal Blocks**  
10.00 Centers

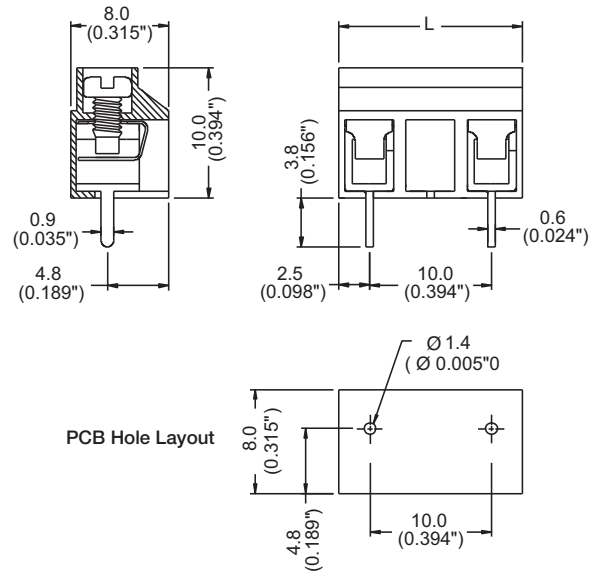
**SPECIFICATIONS**

- Rating:** 10A, 300V
- Center Spacing:** 0.394" (10.00mm)
- Wire Range:** #14-26 AWG
- Housing Material:** UL rated 94V0 Thermoplastic
- Contact Material:** Tin-Plated Brass
- Wire Protector:** Stainless Steel
- Screw Size:** M2.6 Chromate Steel
- Operating Temperature:** 105°C (221°F) max., -55°C (-40°F) min.
- Torque Rating:** 4.0 lb-in.
- Recommended PCB Hole Diameters:** 0.055" (1.40mm)
- Construction:** Mold-to-Length
- Agency Information:** e<sup>RU</sup> US File E62622; CE Certified



EM367106

**Dimensions - mm (in)**



Poles	L (mm)	Poles	L (mm)
2	15.0	8	75.0
3	25.0	9	85.0
4	35.0	10	95.0
5	45.0	11	105.0
6	55.0	12	115.0
7	65.0	13	125.0

To convert to inches, divide by 25.4

**Part Numbering System**



## EM3923 Series Euro-Mag Terminal Blocks 3.50 Centers; Modular

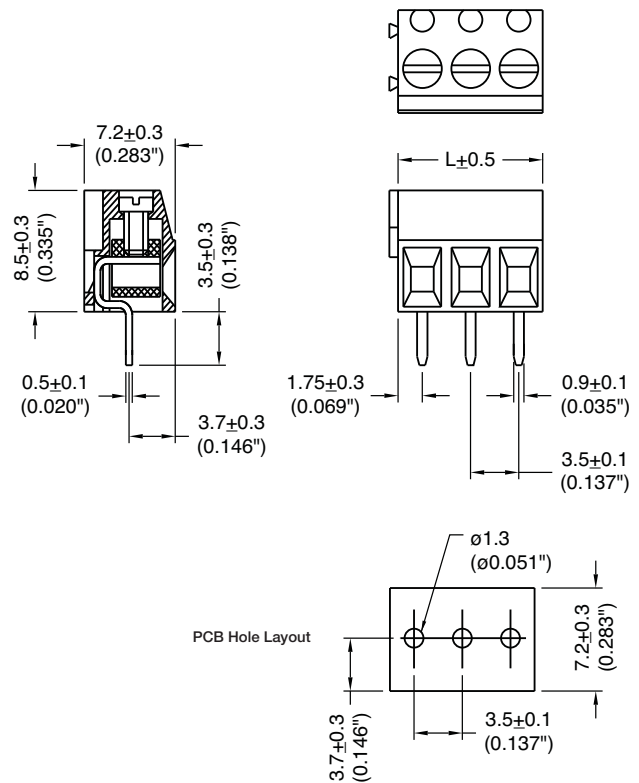
### SPECIFICATIONS

- Rating:** 8A, 300V
- Center Spacing:** 0.138" (3.50mm)
- Wire Range:** #16-26 AWG
- Housing Material:** UL rated 94V0 Thermoplastic
- Contact Material:** Brass Tin-Plated
- Cage Clamp:** Brass, Nickel-Plated
- Screw Size:** M2.0 Nickel-Plated Steel
- Operating Temperature:** 105°C (221°F) max., -40°C (-67°F) min.
- Torque Rating:** 2.5 lb-in.
- Recommended PCB Hole Diameters:** 0.055" (1.40mm)
- Construction:** Modular design features dovetails for interlocking to achieve longer lengths
- Agency Information:** US File E62622; CE Certified



EM392305

### Dimensions - mm (in)



Poles	L (mm)	Poles	L (mm)
2	7.0	14	49.5
3	10.5	15	52.5
4	14.0	16	56.0
5	17.5	17	59.5
6	21.0	18	63.0
7	24.5	19	66.5
8	28.0	20	70.0
9	31.5	21	73.5
10	35.0	22	77.0
11	38.5	23	80.5
12	42.0	24	84.0
13	45.5		

To convert to inches, divide by 25.4

## Part Numbering System



- Terminal Blocks:  
Single & Double Row
- EuroMag Series
- Terminal Blocks:  
Base & Rail Mount
- Power Distribution  
Blocks
- Wire Management  
Products
- Edge Connectors,  
One-Sided Boards
- Compliance  
References

Terminal Blocks:  
Single & Double Row

EuroMag Series

Terminal Blocks:  
Base & Rail Mount

Power Distribution  
Blocks


Wire Management  
Products

Edge Connectors,  
One-Sided Boards

Compliance  
References

**EM3503 Series**  
**Euro-Mag Terminal Blocks**  
3.81 Centers; Modular

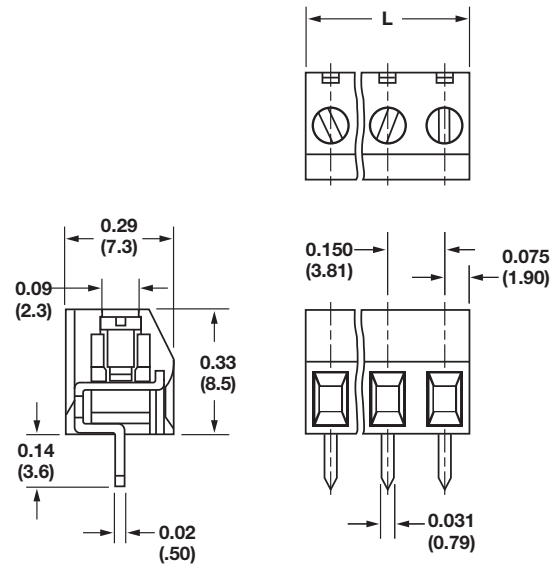
**SPECIFICATIONS**

- Rating:** 8A, 300V
- Center Spacing:** 0.150" (3.81mm)
- Wire Size:** #16-26 AWG
- Housing Material:** UL rated 94V0 Thermoplastic
- Contact Material:** Brass Tin-Plated
- Screw Size:** M 2x3 Zinc-Plated Steel
- Operating Temperature:** 105°C (221°F) max., -40°C (-40°F) min.
- Torque Rating:** 4.5 lb-in.
- Recommended PCB Hole Diameters:** 0.055" (1.40mm)
- Construction:** Modular design features dovetails for interlocking to achieve longer lengths
- Agency Information:**  File E62622; CE Certified



EM350305

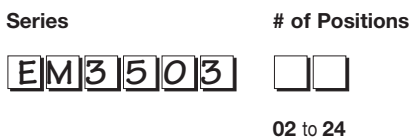
**Dimensions - mm (in)**



Poles	L (mm)	Poles	L (mm)
2	7.62	14	53.34
3	11.43	15	57.15
4	15.24	16	60.96
5	19.05	17	64.77
6	22.86	18	68.58
7	26.67	19	72.39
8	30.48	20	76.20
9	34.29	21	80.01
10	38.10	22	83.82
11	41.91	23	87.63
12	45.72	24	91.44
13	49.53		


To convert to inches, divide by 25.4

**Part Numbering System**



**EM2585 Series**  
**Euro-Mag Terminal Blocks**  
 5.00 Centers; Modular

**SPECIFICATIONS**

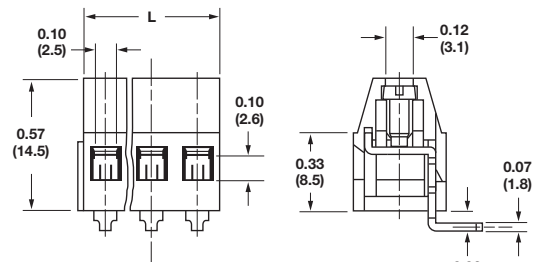
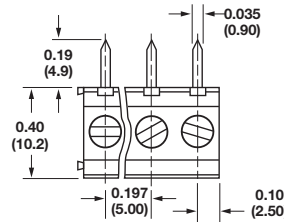
- Rating:** 16A, 300V
- Center Spacing:** 0.197" (5.00mm)  
 Consult factory for 0.394" (10.00mm)
- Wire Range:** #12-26 AWG
- Housing Material:** UL rated 94V0 Thermoplastic
- Contact Material:** Brass Tin-Plated
- Screw Size:** M3x5 Zinc-Plated Steel
- Operating Temperature:** 105°C (221°F) max., -40°C (-40°F) min.
- Torque Rating:** 7 lb-in.
- Recommended PCB Hole Diameters:** 0.055" (1.40mm)
- Construction:** Modular design features dovetails for interlocking to achieve longer lengths
- Connector Style:** Rising Cage Clamp
- Agency Information:**  File E62622; CE Certified



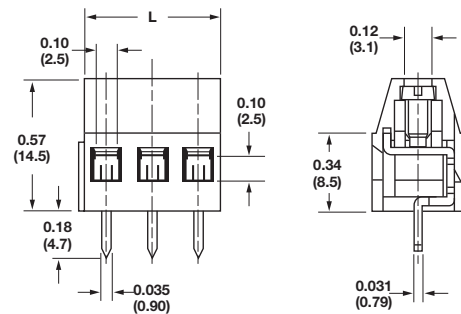
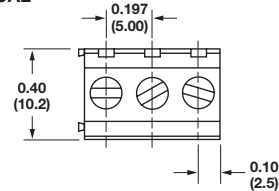
EM258505V

**Dimensions - mm (in)**

**HORIZONTAL**



**VERTICAL**



Position	L (mm)	Position	L (mm)
02	10.0	14	70.0
03	15.0	15	75.0
04	20.0	16	80.0
05	25.0	17	85.0
06	30.0	18	90.0
07	35.0	19	95.0
08	40.0	20	100.0
09	45.0	21	105.0
10	50.0	22	110.0
11	55.0	23	115.0
12	60.0	24	120.0
13	65.0		

To convert to inches, divide by 25.4

**Part Numbering System**

Series	# of Positions	Orientation
EM2585	<input type="checkbox"/> <input type="checkbox"/>	<input type="checkbox"/>
	02 to 24	H - horizontal V - vertical

Terminal Blocks:  
Single & Double Row

EuroMag Series

Terminal Blocks:  
Base & Rail Mount

Power Distribution  
Blocks

Wire Management  
Products

Edge Connectors,  
One-Sided Boards

Compliance  
References



Terminal Blocks:  
Single & Double Row

EuroMag Series

Terminal Blocks:  
Base & Rail Mount

Power Distribution  
Blocks

Wire Management  
Products

Edge Connectors,  
One-Sided Boards

Compliance  
References

**EM3225 Series**  
**Euro-Mag Terminal Blocks**  
35° Angle; 5.00 Centers; Modular

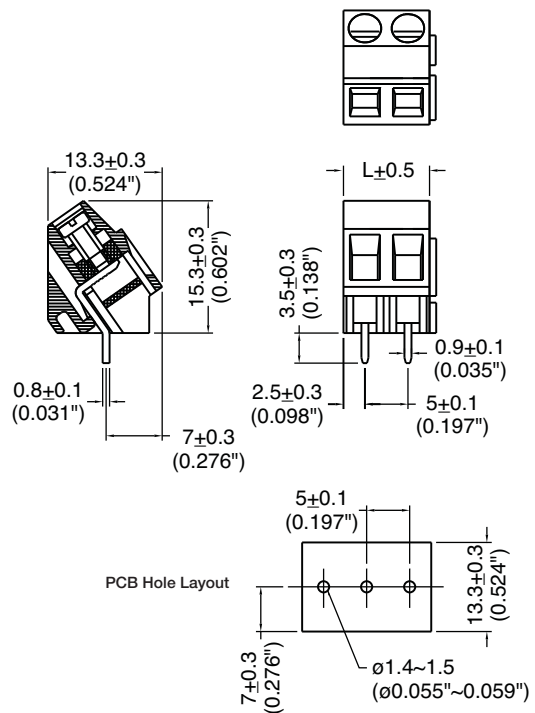
**SPECIFICATIONS**

- Rating:** 16A, 300V
- Center Spacing:** 0.197" (5.00mm)  
Consult factory for 0.393" (10.00mm)
- Wire Range:** #14-24 AWG
- Housing Material:** UL rated 94V0 Thermoplastic
- Contact Material:** Brass Tin-Plated
- Cage Clamp:** Brass, Nickel-Plated
- Screw Size:** M2.6 nickel-plated Steel
- Operating Temperature:** 105°C (221°F) max., -40°C (-40°F) min.
- Torque Rating:** 5 lb-in.
- Recommended PCB Hole Diameters:** 0.055" (1.40mm)
- Construction:** Modular design features dovetails for interlocking to achieve longer lengths
- Agency Information:** File E62622; CE Certified



EM322505

**Dimensions - mm (in)**



Poles	L (mm)	Poles	L (mm)
2	10.0	14	70.0
3	15.0	15	75.0
4	20.0	16	80.0
5	25.0	17	85.0
6	30.0	18	90.0
7	35.0	19	95.0
8	40.0	20	100.0
9	45.0	21	105.0
10	50.0	22	110.0
11	55.0	23	115.0
12	60.0	24	120.0
13	65.0		

To convert to inches, divide by 25.4

**Part Numbering System**



**EM2205 Series**  
**Euro-Mag Terminal Blocks**  
 45° Angle, 5.00 Centers, Modular

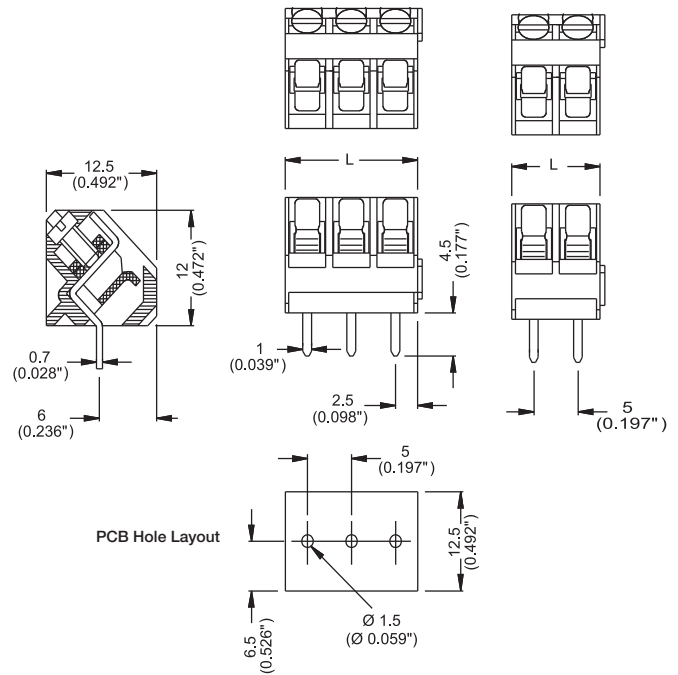
**SPECIFICATIONS**

- Rating:** 10A, 300V
- Center Spacing:** 0.197" (5.00mm)  
 Consult factory for 0.393" (10.00mm)
- Wire Range:** #12-24 AWG
- Housing Material:** Grey Polyamide Type 6/6, 94V0
- Contact Material:** Brass Tin-Plated
- Cage Clamp:** Brass, Tin-Plated
- Screw Size:** M2.6 Chromate Steel
- Operating Temperature:** 105°C (221°F) max., -33°C (-27°F) min.
- Torque Rating:** 3.5 lb-in.
- Recommended PCB Hole Diameters:** 0.055" (1.40mm)
- Construction:** Modular design features dovetails for interlocking to achieve longer lengths
- Agency Information:** US File E62622; CE Certified



EM220505

**Dimensions - mm (in)**



Poles	L (mm)	Poles	L (mm)
2	10.0	14	70.0
3	15.0	15	75.0
4	20.0	16	80.0
5	25.0	17	85.0
6	30.0	18	90.0
7	35.0	19	95.0
8	40.0	20	100.0
9	45.0	21	105.0
10	50.0	22	110.0
11	55.0	23	115.0
12	60.0	24	120.0
13	65.0		

To convert to inches, divide by 25.4

**Part Numbering System**



Terminal Blocks:  
Single & Double Row

EuroMag Series

Terminal Blocks:  
Base & Rail Mount

Power Distribution  
Blocks

Wire Management  
Products

Edge Connectors,  
One-Sided Boards

Compliance  
References

**EM2505 Series**  
**Euro-Mag Terminal Blocks**  
 5.08 Centers; Modular

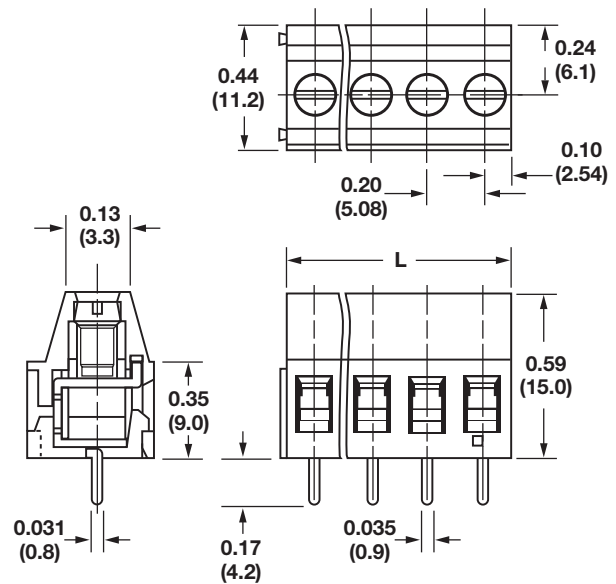
**SPECIFICATIONS**

- Rating:** 16A, 300V
- Center Spacing:** 0.20" (5.08mm)  
 Consult factory for 0.40" (10.16mm)
- Wire Range:** #12-26 AWG
- Housing Material:** UL rated 94V0 Thermoplastic
- Contact Material:** Brass Tin-Plated
- Screw Size:** M3x5 Zinc-Plated Steel
- Operating Temperature:** 105°C (221°F) max., -40°C (-40°F) min.
- Torque Rating:** 7 lb-in.
- Recommended PCB Hole Diameters:** 0.055" (1.40mm)
- Construction:** Modular design features dovetails for interlocking to achieve longer lengths
- Connector Style:** Rising Cage Clamp
- Agency Information:** File E62622; CE Certified



EM250505V

**Dimensions - mm (in)**



Position	L (mm)	Position	L (mm)
02	10.16	14	71.12
03	15.24	15	76.20
04	20.32	16	81.28
05	25.40	17	86.36
06	30.48	18	91.44
07	35.56	19	96.52
08	40.64	20	101.60
09	45.72	21	106.68
10	50.80	22	111.76
11	55.88	23	116.84
12	60.96	24	121.92
13	66.04		

To convert to inches, divide by 25.4

**Part Numbering System**

Series	# of Positions	Orientation
EM2505	<input type="checkbox"/> <input type="checkbox"/>	<input type="checkbox"/>
	02 to 24	V - vertical

**EM3228 Series**  
**Euro-Mag Terminal Blocks**  
 35° Angle; 5.08 Centers; Modular

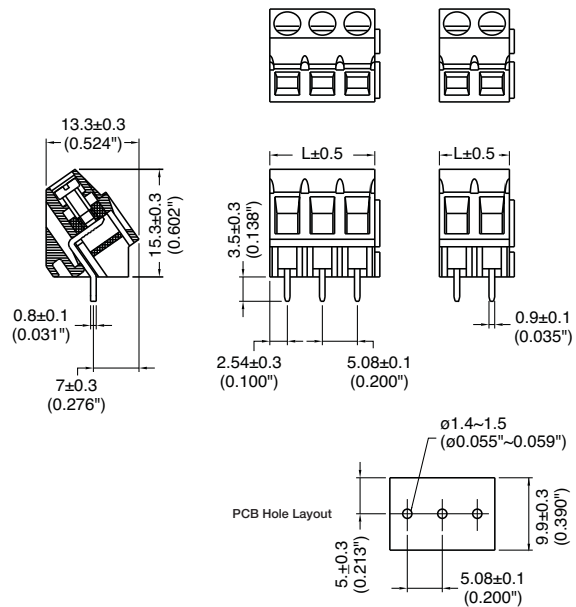
**SPECIFICATIONS**

- Rating:** 16A, 300V
- Center Spacing:** 0.20" (5.08mm)  
 Consult factory for 0.40" (10.16mm)
- Wire Range:** #14-24 AWG
- Housing Material:** UL rated 94V0 Thermoplastic
- Contact Material:** Brass Tin-Plated
- Cage Clamp:** Brass, Nickel-Plated
- Screw Size:** M2.6 Nickel-Plated Steel
- Operating Temperature:** 105°C (221°F) max., -40°C (-40°F) min.
- Torque Rating:** 5 lb-in.
- Recommended PCB Hole Diameters:** 0.055" (1.40mm)
- Construction:** Modular design features dovetails for interlocking to achieve longer lengths
- Agency Information:** File E62622; CE Certified



EM322805

**Dimensions - mm (in)**



Poles	L (mm)	Poles	L (mm)
2	10.16	14	72.12
3	15.24	15	76.20
4	20.32	16	81.28
5	25.40	17	86.36
6	30.48	18	91.44
7	35.56	19	96.52
8	40.64	20	101.60
9	45.72	21	106.68
10	50.80	22	111.76
11	55.88	23	116.84
12	60.96	24	121.92
13	66.04		

To convert to inches, divide by 25.4

**Part Numbering System**



Terminal Blocks:  
Single & Double Row

EuroMag Series

Terminal Blocks:  
Base & Rail Mount

Power Distribution  
Blocks

Wire Management  
Products

Edge Connectors,  
One-Sided Boards

Compliance  
References

**EM2507 Series**  
**Euro-Mag Terminal Blocks**  
 7.50 Centers; Modular

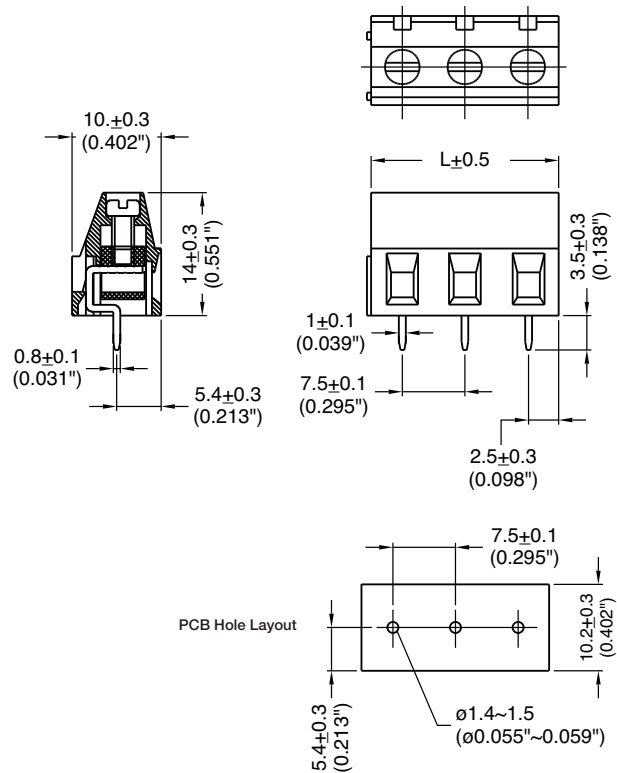
**SPECIFICATIONS**

- Rating:** 16A, 300V
- Center Spacing:** 0.295" (7.50mm)
- Wire Range:** #14-22 AWG
- Housing Material:** UL rated 94V0 Thermoplastic
- Contact Material:** Brass Tin-Plated
- Cage Clamp:** Brass, Nickel-Plated
- Screw Size:** M2.6 Nickel-Plated Steel
- Operating Temperature:** 105°C (221°F) max., -40°C (-40°F) min.
- Torque Rating:** 5.0 lb-in.
- Recommended PCB Hole Diameters:** 0.055" (1.40mm)
- Construction:** Modular design features dovetails for interlocking to achieve longer lengths
- Agency Information:** File E62622; CE Certified



EM250705

**Dimensions - mm (in)**



Poles	L (mm)	Poles	L (mm)
2	15.0	14	105.0
3	22.5	15	112.5
4	33.0	16	120.0
5	37.5	17	127.5
6	45.0	18	133.0
7	52.5	19	142.5
8	60.0	20	150.0
9	67.5	21	157.5
10	75.0	22	165.0
11	82.5	23	172.5
12	90.0	24	180.0
13	97.5		

To convert to inches, divide by 25.4

**Part Numbering System**



**EM3227 Series**  
**Euro-Mag Terminal Blocks**  
 35° Angle, 7.50 Centers; Modular

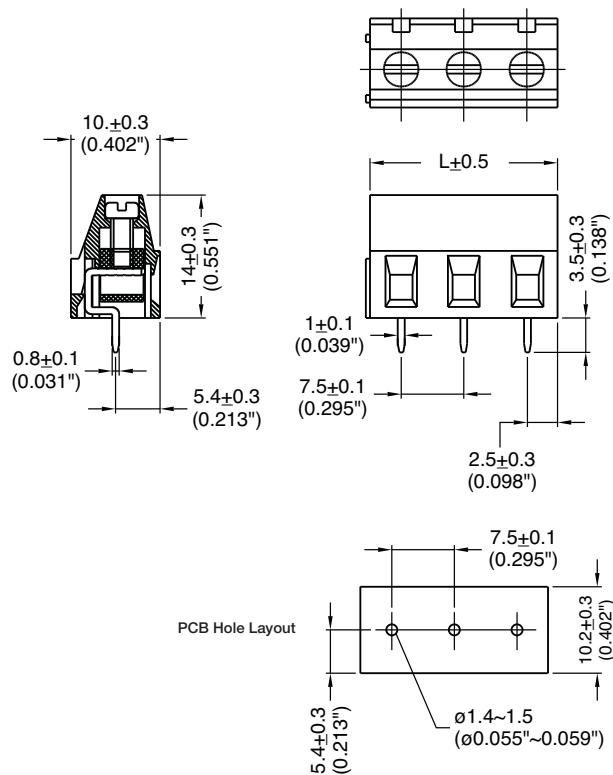
**SPECIFICATIONS**

- Rating:** 16A, 300V
- Center Spacing:** 0.295" (7.50mm)  
 Consult factory for 0.40" (10.16mm)
- Wire Range:** #14-24 AWG
- Housing Material:** UL rated 94V0 Thermoplastic
- Contact Material:** Brass Tin-Plated
- Cage Clamp:** Brass, Nickel-Plated
- Screw Size:** M2.6 Nickel-Plated Steel
- Operating Temperature:** 105°C (221°F) max., -40°C (-40°F) min.
- Torque Rating:** 5.0 lb-in.
- Recommended PCB Hole Diameters:** 0.055" (1.40mm)
- Construction:** Modular design features dovetails for interlocking to achieve longer lengths
- Agency Information:** US File E62622; CE Certified



EM322705

**Dimensions - mm (in)**



Poles	L (mm)	Poles	L (mm)
2	15.0	14	105.0
3	22.5	15	112.5
4	33.0	16	120.0
5	37.5	17	127.5
6	45.0	18	133.0
7	52.5	19	142.5
8	60.0	20	150.0
9	67.5	21	157.5
10	75.0	22	165.0
11	82.5	23	172.5
12	90.0	24	180.0
13	97.5		

To convert to inches, divide by 25.4

**Part Numbering System**



Terminal Blocks:  
Single & Double Row

EuroMag Series

Terminal Blocks:  
Base & Rail Mount

Power Distribution  
Blocks

Wire Management  
Products

Edge Connectors,  
One-Sided Boards

Compliance  
References



Terminal Blocks:  
Single & Double Row

EuroMag Series

Terminal Blocks:  
Base & Rail Mount

Power Distribution  
Blocks

Wire Management  
Products

Edge Connectors,  
One-Sided Boards

Compliance  
References

## EM2506 Series Euro-Mag Terminal Blocks

7.62 Centers; Modular

### SPECIFICATIONS

Rating: 16A, 300V

Center Spacing: 0.30" (7.62mm)

Wire Range: #14-24 AWG

Housing Material: UL rated 94V0 Thermoplastic

Contact Material: Brass Tin-Plated

Cage Clamp: Brass, Nickel-Plated

Screw Size: M2.6 Nickel-Plated Steel

Operating Temperature: 105°C (221°F) max., -40°C (-40°F) min.

Torque Rating: 5.0 lb-in.

Recommended PCB Hole Diameters: 0.055" (1.40mm)

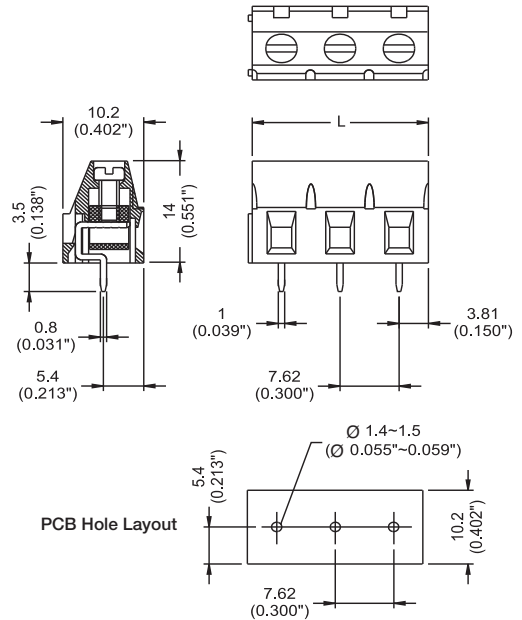
Construction: Modular design features dovetails for interlocking to achieve longer lengths

Agency Information: File E62622; CE Certified



EM250605

### Dimensions - mm (in)



Poles	L (mm)	Poles	L (mm)
2	15.24	14	106.69
3	22.86	15	114.31
4	30.48	16	121.93
5	38.10	17	129.55
6	45.72	18	137.17
7	53.34	19	144.79
8	60.96	20	152.41
9	68.58	21	160.03
10	76.20	22	167.65
11	83.82	23	175.27
12	91.44	24	182.89
13	99.07		

To convert to inches, divide by 25.4

## Part Numbering System

Series

# of Poles



02 to 24

**EM3226 Series**  
**Euro-Mag Terminal Blocks**  
 35° Angle, 7.62 Centers; Modular

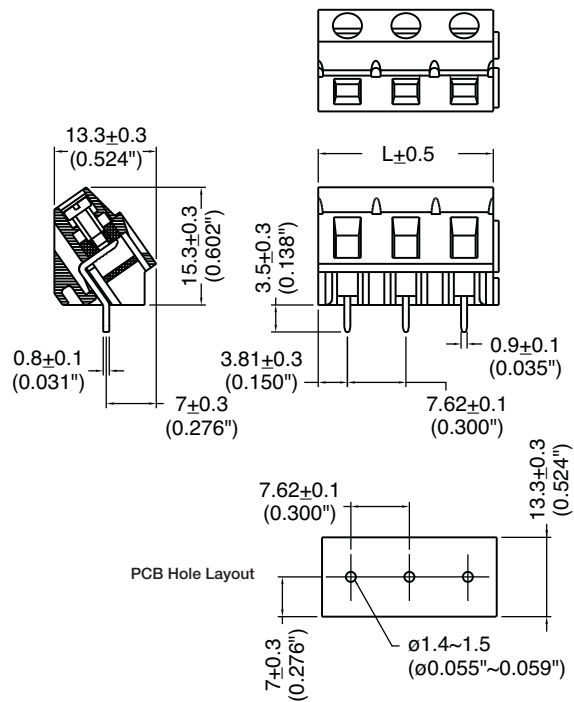
**SPECIFICATIONS**

- Rating:** 16A, 300V
- Center Spacing:** 0.30" (7.62mm)
- Wire Range:** #14-24 AWG
- Housing Material:** UL rated 94V0 Thermoplastic
- Contact Material:** Brass Tin-Plated
- Cage Clamp:** Brass, Nickel-Plated
- Screw Size:** M2.6 Nickel-Plated Steel
- Operating Temperature:** 105°C (221°F) max., -40°C (-40°F) min.
- Torque Rating:** 5.0 lb-in.
- Recommended PCB Hole Diameters:** 0.055" (1.40mm)
- Construction:** Modular design features dovetails for interlocking to achieve longer lengths
- Agency Information:** US File E62622; CE Certified



EM322605

**Dimensions - mm (in)**



Poles	L (mm)	Poles	L (mm)
2*	15.24	14	106.69
3*	22.86	15	114.31
4	30.48	16	121.93
5	38.10	17	129.55
6	45.72	18	137.17
7	53.34	19	144.79
8	60.96	20	152.41
9	68.58	21	160.03
10	76.20	22	167.65
11	83.82	23	175.27
12	91.44	24	182.89
13	99.07		

\* Mold To Length  
 To convert to inches, divide by 25.4

**Part Numbering System**



Terminal Blocks:  
Single & Double Row

EuroMag Series

Terminal Blocks:  
Base & Rail Mount

Power Distribution  
Blocks

Wire Management  
Products

Edge Connectors,  
One-Sided Boards

Compliance  
References

## EM2403 Series

### Euro-Mag Terminal Blocks

Two Tier; 3.81 Centers; Modular

#### SPECIFICATIONS

**Rating:** 10A, 300V

**Center Spacing:** 0.150" (3.81mm)

**Wire Range:** #16-26 AWG

**Housing Material:** UL rated 94V0 Thermoplastic

**Contact Material:** Brass Tin-Plated

**Cage Clamp:** Brass, Nickel-Plated

**Screw Size:** M2.0 Nickel-Plated Steel

**Operating Temperature:** 105°C (221°F) max., -40°C (-40°F) min.

**Torque Rating:** 2.5 lb-in.

**Recommended PCB Hole Diameters:** 0.055" (1.40mm)

**Construction:** Modular design features dovetails for interlocking to achieve longer lengths

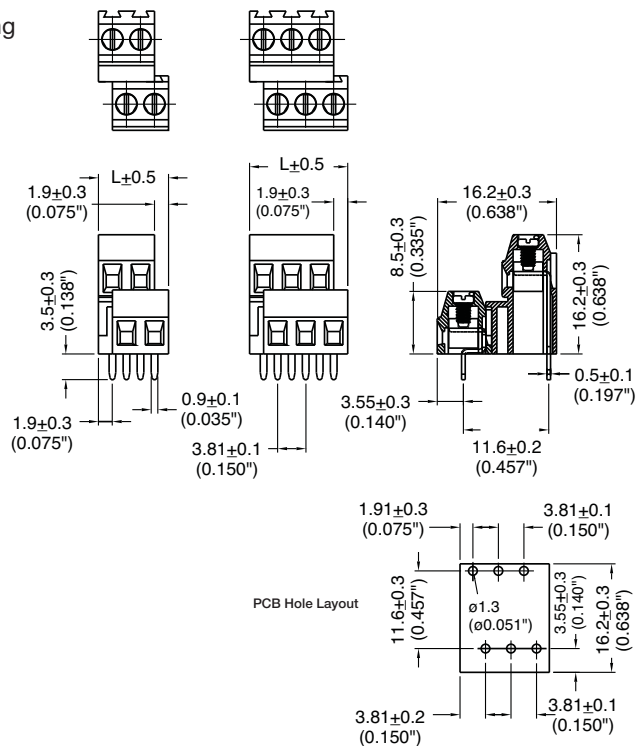
**Agency Information:** File E62622; CE Certified



EM240308

EM240304

#### Dimensions - mm (in)







**EM2448 Series**  
**Euro-Mag Terminal Blocks**

Two Tier; 5.08 Centers; Modular

**SPECIFICATIONS**

**Rating:** 16A, 300V

**Center Spacing:** 0.20" (5.08mm)

**Wire Range:** #14-24 AWG

**Housing Material:** UL rated 94V0 Thermoplastic

**Contact Material:** Brass Tin-Plated

**Cage Clamp:** Brass, Nickel-Plated

**Screw Size:** M2.6 Nickel-Plated Steel

**Operating Temperature:** 105°C (221°F) max., -40°C (-40°F) min.

**Torque Rating:** 4.5 lb-in.

**Recommended PCB Hole Diameters:** 0.055" (1.40mm)

**Construction:** Modular design features dovetails for interlocking to achieve longer lengths

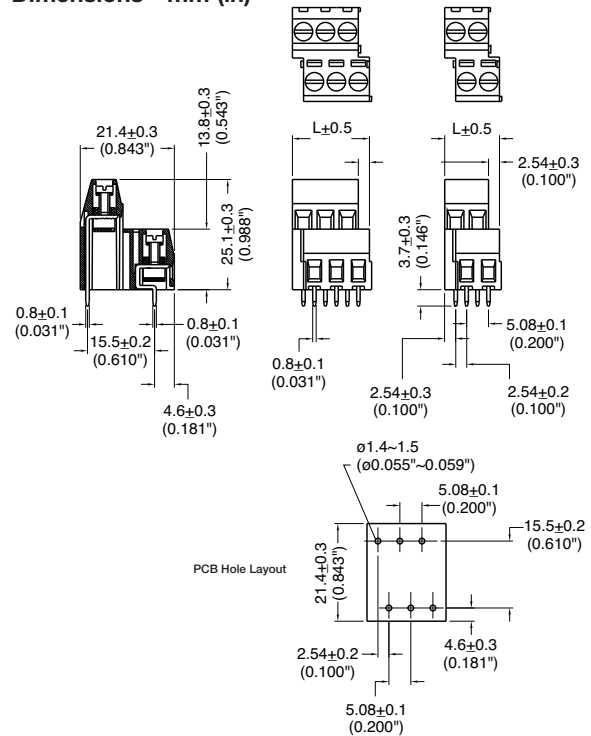
**Agency Information:** cULus File E62622; CE Certified



EM244808

EM244804

**Dimensions - mm (in)**



Poles	L (mm)	Poles	L (mm)
2	10.16	14	71.12
3	15.24	15	76.20
4	20.32	16	81.28
5	25.40	17	86.36
6	30.48	18	91.44
7	35.56	19	96.52
8	40.64	20	101.60
9	45.72	21	106.68
10	50.80	22	111.76
11	55.88	23	116.84
12	60.96	24	121.92
13	66.04		

To convert to inches, divide by 25.4

**Part Numbering System**



Terminal Blocks:  
Single & Double Row

EuroMag Series

Terminal Blocks:  
Base & Rail Mount

Power Distribution  
Blocks

Wire Management  
Products

Edge Connectors,  
One-Sided Boards

Compliance  
References

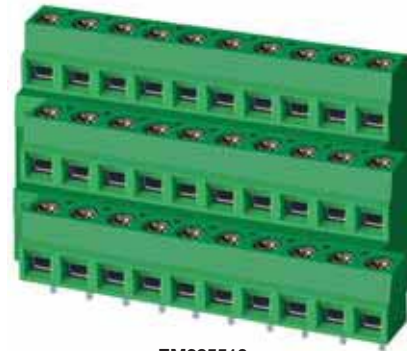


**EM2855 Series**  
**Euro-Mag Terminal Blocks**

Three Tier; 5.00 Centers

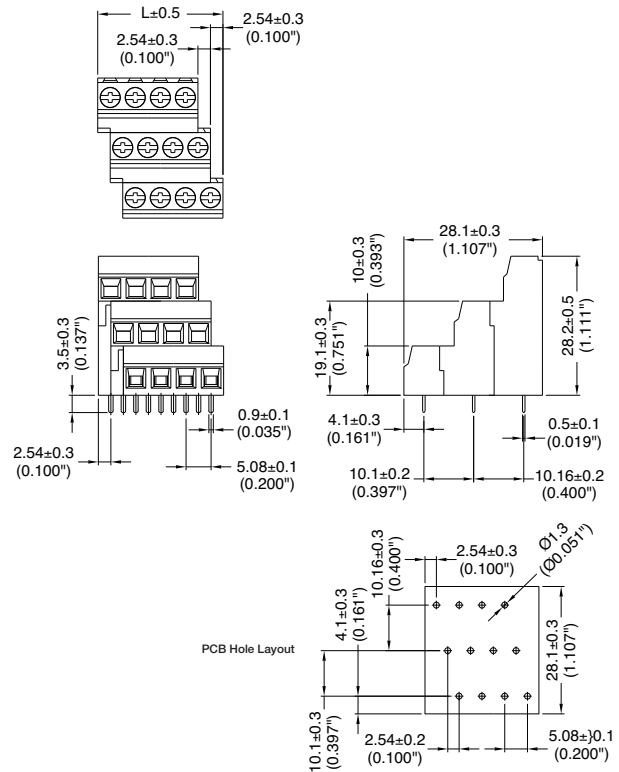
**SPECIFICATIONS**

- Rating: 10A, 300V
- Center Spacing: 0.197" (5.00mm)
- Wire Range: #14-26 AWG
- Housing Material: UL rated 94V0 Thermoplastic
- Contact Material: Brass Tin-Plated
- Cage Clamp: Brass Nickel-Plated
- Screw Size: M26 Steel Chromatized
- Operating Temperature: 105°C max., -55°C min.
- Torque Rating: 4.5 lb-in
- Recommended PCB Hole Diameters: 1.30mm (0.051")
- Construction: Mold-to-Length
- Agency Information: File E62622; CE Certified



EM285510

**Dimensions - mm (in)**



Poles	L (mm)
2	12.5
3	17.5
4	22.5
5	27.5
6	32.5

To convert to inches, divide by 25.4

**Part Numbering System**

Series                      # of Poles

**EM2855**                     

   02 to 06

Note: Longer positions, please consult factory.

Terminal Blocks:  
Single & Double Row

EuroMag Series

Terminal Blocks:  
Base & Rail Mount

Power Distribution  
Blocks

Wire Management  
Products

Edge Connectors,  
One-Sided Boards

Compliance  
References

**EM2905 Series**

**Euro-Mag Terminal Blocks**

High Current; 5.00 Centers; Modular

**SPECIFICATIONS**

**Rating:** 28A, 250V

**Center Spacing:** 0.197" (5.00mm)

**Wire Range:** #12-24 AWG

**Housing Material:** UL rated 94V0 Thermoplastic

**Contact Material:** Brass Tin-Plated

**Cage Clamp:** Brass, Nickel-Plated

**Screw Size:** M2.6 nickel-plated Steel

**Operating Temperature:** 105°C (221°F) max., -40°C (-40°F) min.

**Torque Rating:** 4.5 lb-in.

**Recommended PCB Hole Diameters:** 0.055" (1.40mm)

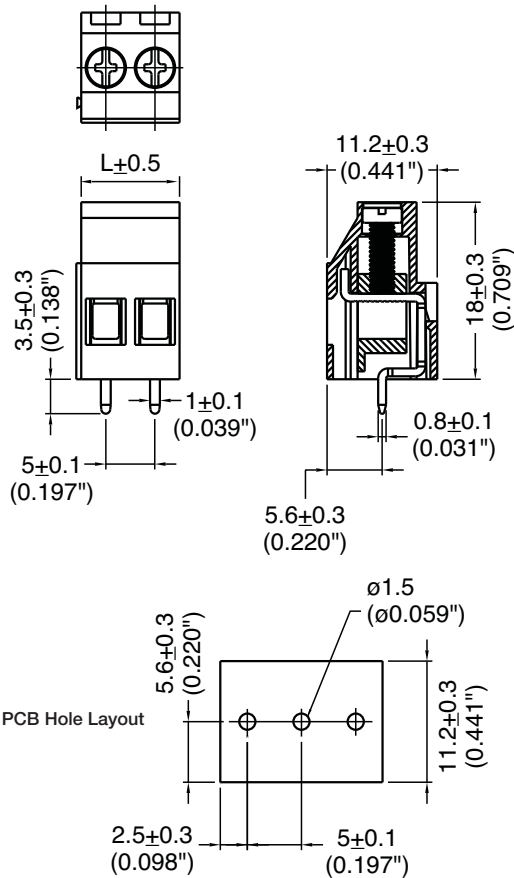
**Construction:** Modular design features dovetails for interlocking to achieve longer lengths

**Agency Information:**  File E62622; CE Certified



EM290508

**Dimensions - mm (in)**



Poles	L (mm)	Poles	L (mm)
2	10.0	14	70.0
3	15.0	15	75.0
4	20.0	16	80.0
5	25.0	17	85.0
6	30.0	18	90.0
7	35.0	19	95.0
8	40.0	20	100.0
9	45.0	21	105.0
10	50.0	22	110.0
11	55.0	23	115.0
12	60.0	24	120.0
13	65.0		

To convert to inches, divide by 25.4

**Part Numbering System**

Series

# of Poles

**EM2905**

02 to 24

Terminal Blocks:  
Single & Double Row

EuroMag Series

Terminal Blocks:  
Base & Rail Mount

Power Distribution  
Blocks

Wire Management  
Products

Edge Connectors,  
One-Sided Boards

Compliance  
References

### EM2908 Series

### Euro-Mag Terminal Blocks

High Current; 5.08 Centers; Modular

#### SPECIFICATIONS

Rating: 28A, 250V

Center Spacing: 0.20" (5.08mm)

Wire Range: #12-24 AWG

Housing Material: UL rated 94V0 Thermoplastic

Contact Material: Brass Tin-Plated

Cage Clamp: Brass, Nickel-Plated

Screw Size: M2.6 Nickel-Plated Steel

Operating Temperature: 105°C (221°F) max., -40°C (-40°F) min.

Torque Rating: 4.5 lb-in.

Recommended PCB Hole Diameters: 0.055" (1.40mm)

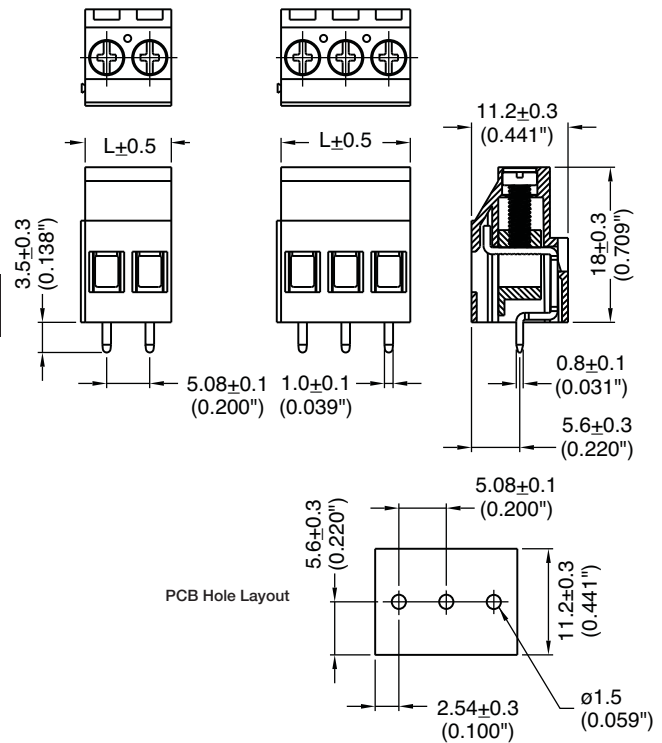
Construction: Modular design features dovetails for interlocking to achieve longer lengths

Agency Information: File E62622; CE Certified



EM290808

#### Dimensions - mm (in)



Poles	L (mm)	Poles	L (mm)
2	10.16	14	71.12
3	15.24	15	76.20
4	20.32	16	81.28
5	25.40	17	86.36
6	30.48	18	91.44
7	35.56	19	96.52
8	40.64	20	101.60
9	45.72	21	106.68
10	50.80	22	111.76
11	55.88	23	116.84
12	60.96	24	121.92
13	66.04		

To convert to inches, divide by 25.4

### Part Numbering System

Series

# of Poles


EM2908

□ □

02 to 24

**EM9126 Series**  
**Euro-Mag Terminal Blocks**  
 6.35 Centers; Modular

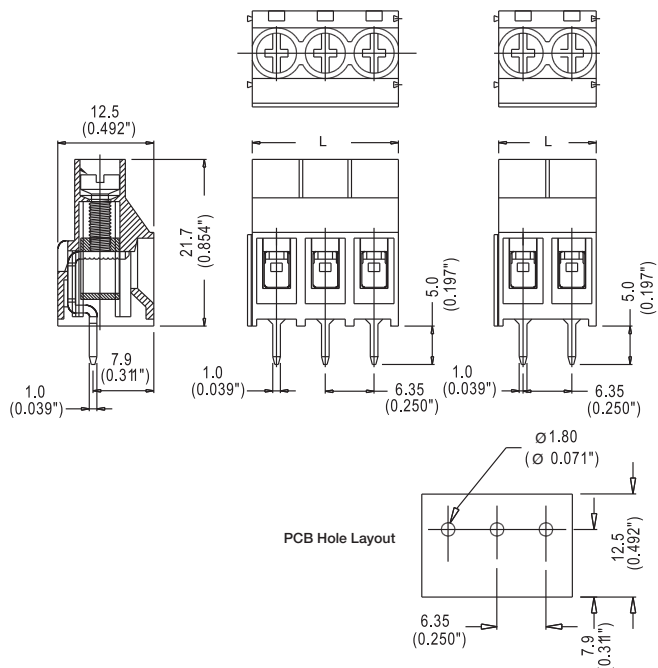
**SPECIFICATIONS**

- Rating:** 30A, 300V
- Center Spacing:** 0.250" (6.35mm)
- Wire Range:** #10-24 AWG
- Housing Material:** UL rated 94V0 Thermoplastic
- Contact Material:** Brass Tin-Plated
- Cage Clamp:** Brass, Nickel-Plated
- Screw Size:** M3.0 Steel Nickel-Plated
- Operating Temperature:** 105°C (221°F) max., -40°C (-40°F) min.
- Torque Rating:** 5.5 lb-in.
- Recommended PCB Hole Diameters:** 0.071" (1.80mm)
- Construction:** Modular design features dovetails for interlocking to achieve longer lengths
- Agency Information:**  US File E62622; CE Certified



EM912605

**Dimensions - mm (in)**



Poles	L (mm)	Poles	L (mm)
2	12.70	14	88.90
3	19.05	15	95.25
4	25.40	16	101.60
5	31.75	17	107.95
6	38.10	18	114.30
7	44.45	19	120.65
8	50.80	20	127.00
9	57.15	21	133.35
10	63.50	22	139.70
11	69.85	23	146.05
12	76.20	24	152.40
13	82.55		

To convert to inches, divide by 25.4

**Part Numbering System**



Terminal Blocks:  
Single & Double Row

EuroMag Series

Terminal Blocks:  
Base & Rail Mount

Power Distribution  
Blocks

Wire Management  
Products

Edge Connectors,  
One-Sided Boards

Compliance  
References

**EM9127 Series**  
**Euro-Mag Terminal Blocks**  
7.50 Centers; Modular

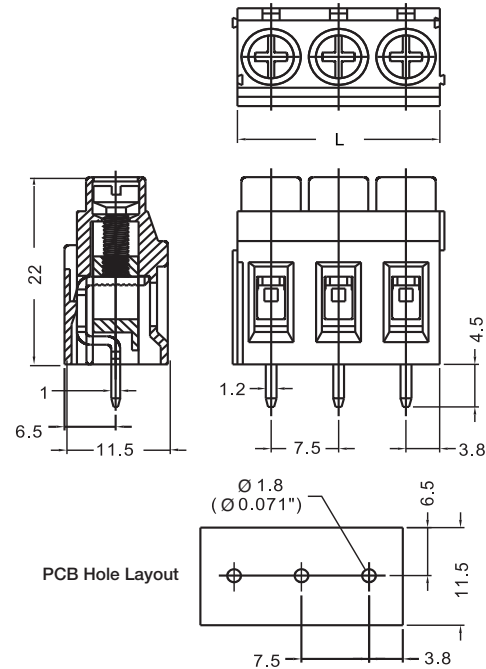
**SPECIFICATIONS**

- Rating:** 30A, 300V
- Center Spacing:** 0.29" (7.50mm)
- Wire Range:** #10-24 AWG
- Housing Material:** UL rated 94V0 Thermoplastic
- Contact Material:** Brass Tin-Plated
- Cage Clamp:** Brass, Nickel-Plated
- Screw Size:** M3.5 Steel Nickel-Plated
- Operating Temperature:** 105°C (221°F) max., -40°C (-40°F) min.
- Torque Rating:** 5.5 lb-in.
- Recommended PCB Hole Diameters:** 0.071" (1.80mm)
- Construction:** Modular design features dovetails for interlocking to achieve longer lengths
- Agency Information:** File E62622; CE Certified



EM912705

**Dimensions - mm (in)**



Poles	L (mm)	Poles	L (mm)
2	15.0	14	105.0
3	22.5	15	112.5
4	30.0	16	120.0
5	37.5	17	127.5
6	45.0	18	135.0
7	52.5	19	142.5
8	60.0	20	150.0
9	67.5	21	157.5
10	75.0	22	165.0
11	82.5	23	172.5
12	90.0	24	180.0
13	97.5		

To convert to inches, divide by 25.4

**Part Numbering System**



**EM9128 Series**  
**Euro-Mag Terminal Blocks**  
 7.62 Centers; Modular

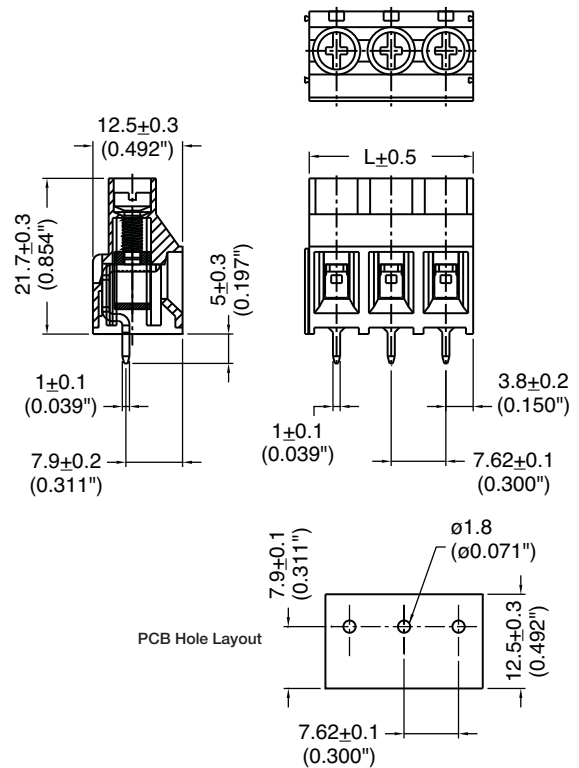
**SPECIFICATIONS**

- Rating:** 30A, 300V
- Center Spacing:** 0.30" (7.62mm)
- Wire Range:** #10-24 AWG
- Housing Material:** UL rated 94V0 Thermoplastic
- Contact Material:** Brass Tin-Plated
- Cage Clamp:** Brass, Nickel-Plated
- Screw Size:** M3.0 Steel Nickel-Plated
- Operating Temperature:** 105°C (221°F) max., -40°C (-40°F) min.
- Torque Rating:** 5.5 lb-in.
- Recommended PCB Hole Diameters:** 0.071" (1.80mm)
- Construction:** Modular design features dovetails for interlocking to achieve longer lengths
- Agency Information:** US File E62622; CE Certified



EM912805

**Dimensions - mm (in)**



Poles	L (mm)	Poles	L (mm)
2	15.24	14	106.68
3	22.86	15	114.30
4	30.48	16	121.92
5	38.10	17	129.54
6	45.72	18	137.16
7	53.34	19	144.78
8	60.96	20	152.40
9	68.58	21	160.02
10	76.20	22	167.64
11	83.82	23	175.26
12	91.44	24	182.88
13	99.06		

To convert to inches, divide by 25.4

**Part Numbering System**



Terminal Blocks:  
Single & Double Row

EuroMag Series

Terminal Blocks:  
Base & Rail Mount

Power Distribution  
Blocks

Wire Management  
Products

Edge Connectors,  
One-Sided Boards

Compliance  
References



**EM2909 Series**  
**Euro-Mag Terminal Blocks**  
 35° Angle; 9.52 Centers; Modular

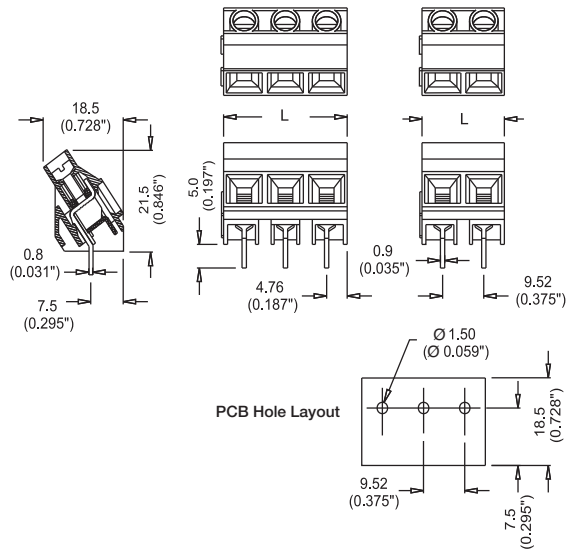
**SPECIFICATIONS**

- Rating:** 30A, 600V
- Center Spacing:** 0.375" (9.52mm)
- Wire Range:** #10-20 AWG
- Housing Material:** UL rated 94V0 Thermoplastic
- Contact Material:** Brass Tin-Plated
- Cage Clamp:** Steel, Nickel-Plated
- Screw Size:** M3.0 Nickel-Plated Steel
- Operating Temperature:** 105°C (221°F) max., -40°C (-40°F) min.
- Torque Rating:** 5.5 lb-in.
- Recommended PCB Hole Diameters:** 0.055" (1.40mm)
- Construction:** Modular design features dovetails for interlocking to achieve longer lengths
- Agency Information:** US File E62622; CE Certified



EM290905

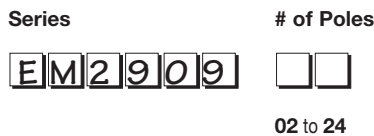
**Dimensions - mm (in)**



Poles	L (mm)	Poles	L (mm)
2	19.04	14	133.28
3	28.56	15	142.80
4	38.08	16	152.32
5	47.60	17	161.84
6	57.12	18	171.36
7	66.64	19	180.88
8	76.16	20	190.40
9	85.68	21	199.92
10	95.20	22	209.44
11	104.72	23	218.96
12	114.24	24	228.48
13	123.76		

To convert to inches, divide by 25.4

**Part Numbering System**



**EM2919 Series**  
**Euro-Mag Terminal Blocks**  
 9.52 Centers; Modular

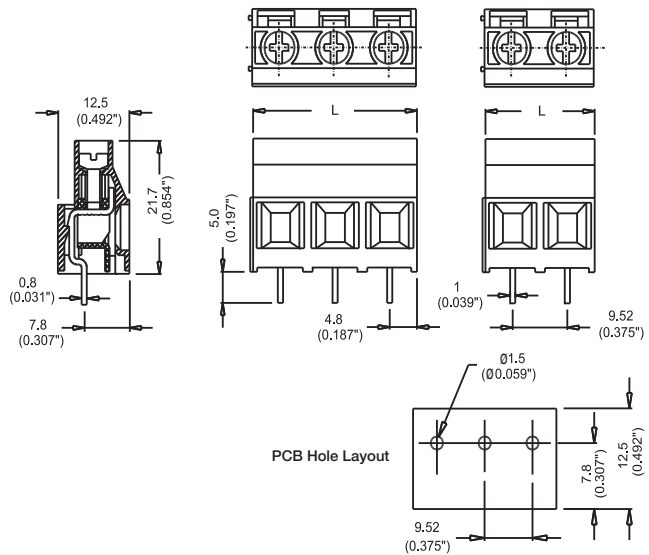
**SPECIFICATIONS**

- Rating:** 30A, 600V
- Center Spacing:** 0.375" (9.52mm)
- Wire Range:** #10-20 AWG
- Housing Material:** UL rated 94V0 Thermoplastic
- Contact Material:** Brass Tin-Plated
- Cage Clamp:** Steel, Nickel-Plated
- Screw Size:** M3.0 Nickel-Plated Steel
- Operating Temperature:** 105°C (221°F) max., -40°C (-40°F) min.
- Torque Rating:** 5.5 lb-in.
- Recommended PCB Hole Diameters:** 0.055" (1.40mm)
- Construction:** Modular design features dovetails for interlocking to achieve longer lengths
- Agency Information:** US File E62622; CE Certified



EM291905

**Dimensions - mm (in)**



Poles	L (mm)	Poles	L (mm)
2	19.04	14	133.28
3	28.56	15	142.80
4	38.08	16	152.32
5	47.60	17	161.84
6	57.12	18	171.36
7	66.64	19	180.88
8	76.16	20	190.40
9	85.68	21	199.92
10	95.20	22	209.44
11	104.72	23	218.96
12	114.24	24	228.48
13	123.76		

To convert to inches, divide by 25.4

**Part Numbering System**



Terminal Blocks: Single & Double Row

EuroMag Series

Terminal Blocks: Base & Rail Mount

Power Distribution Blocks

Wire Management Products

Edge Connectors, One-Sided Boards

Compliance References

**EM2929 Series**  
**Euro-Mag Terminal Blocks**  
 Hi-Current; 10.16 Centers

**SPECIFICATIONS**

- Rating:** 65A, 600V
- Center Spacing:** 0.40" (10.16mm)
- Wire Range:** #6-20 AWG
- Housing Material:** UL rated 94V0 Thermoplastic
- Contact Material:** Tin-Plated Copper
- Cage Clamp:** Steel, Chromate Plated
- Screw Size:** M4 Stainless Steel
- Operating Temperature:** 105°C (221°F) max., -40°C (-40°F) min.
- Torque Rating:** 15 lb-in.
- Recommended PCB Hole Diameters:** 0.055" (1.40mm)
- Construction:** Mold to length
- Agency Information:** cULus File E62622; CE Certified

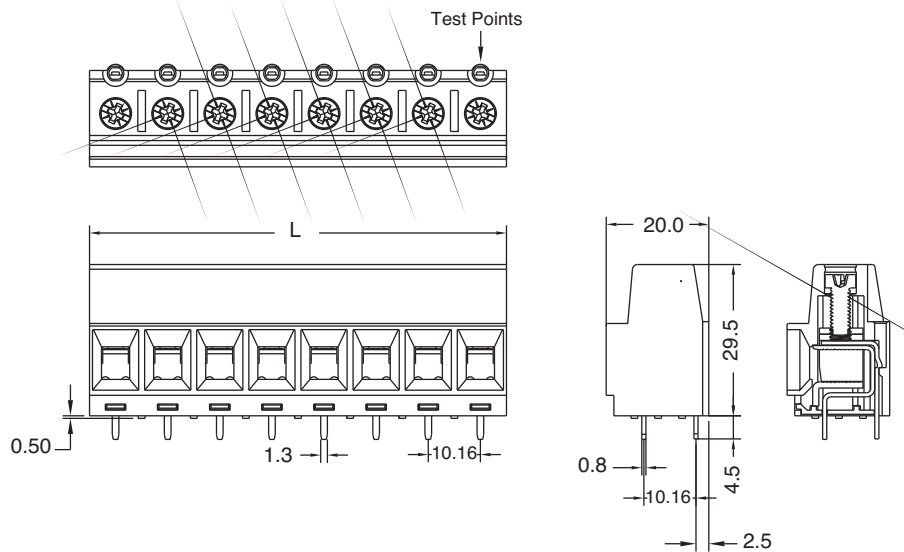


EM292908

**Dimensions - mm (in)**

Poles	L (mm)
2	20.34
3	30.50
4	40.66
5	50.82
6	60.98
7	71.14
8	81.30

To convert to inches, divide by 25.4



**Part Numbering System**



Terminal Blocks: Single & Double Row

EuroMag Series

Terminal Blocks: Base & Rail Mount

Power Distribution Blocks

Wire Management Products

Edge Connectors, One-Sided Boards

Compliance References



### EM3905 Series

### Euro-Mag Terminal Blocks

High Current; Two Tier; 5.00 Centers; Modular

#### SPECIFICATIONS

Rating: 28A, 250V

Center Spacing: 0.197" (5.00mm)

Wire Range: #12-24 AWG

Housing Material: UL rated 94V0 Thermoplastic

Contact Material: Tin-Plated Brass

Cage Clamp: Brass, Nickel-Plated

Screw Size: M2.6 Nickel-Plated Steel

Operating Temperature: 105°C (221°F) max., -40°C (-40°F) min.

Torque Rating: 4.5 lb-in.

Recommended PCB Hole Diameters: 0.055" (1.40mm)

Construction: Modular design features dovetails for interlocking to achieve longer lengths

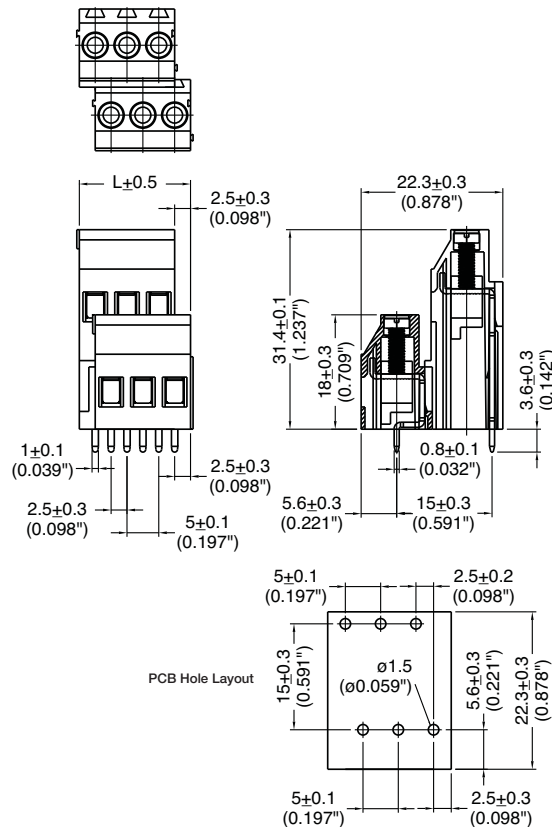
Agency Information: File E62622; CE Certified



EM390508

EM390504

#### Dimensions - mm (in)



Poles	L (mm)	Poles	L (mm)
2	12.5	14	72.5
3	17.5	15	77.5
4	22.5	16	82.5
5	27.5	17	87.5
6	32.5	18	92.5
7	37.5	19	97.5
8	42.5	20	102.5
9	47.5	21	107.5
10	52.5	22	112.4
11	57.5	23	117.5
12	62.5	24	122.5
13	67.5		

To convert to inches, divide by 25.4

### Part Numbering System



**EM3908 Series**

**Euro-Mag Terminal Blocks**

High Current; Two-Tier; 5.08 Centers; Modular

**SPECIFICATIONS**

**Rating:** 28A, 250V

**Center Spacing:** 0.20" (5.08mm)

**Wire Range:** #12-24 AWG

**Housing Material:** UL rated 94V0 Thermoplastic

**Contact Material:** Brass Tin-Plated

**Cage Clamp:** Brass, Nickel-Plated

**Screw Size:** M2.6 Nickel-Plated Steel

**Operating Temperature:** 105°C (221°F) max., -40°C (-40°F) min.

**Torque Rating:** 4.5 lb-in.

**Recommended PCB Hole Diameters:** 0.055" (1.40mm)

**Construction:** Modular design features dovetails for interlocking to achieve longer lengths

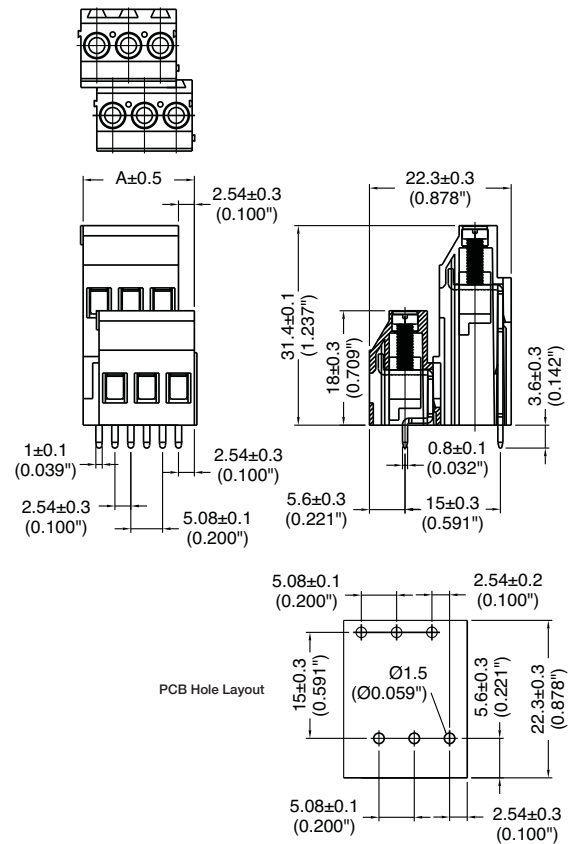
**Agency Information:**  File E62622; CE Certified



EM390808

EM390804

**Dimensions - mm (in)**



Poles	L (mm)	Poles	L (mm)
2	10.16	14	71.12
3	15.24	15	76.20
4	20.32	16	81.28
5	25.40	17	86.36
6	30.48	18	91.44
7	35.56	19	96.52
8	40.64	20	101.60
9	45.72	21	106.68
10	50.80	22	111.76
11	55.88	23	116.84
12	60.96	24	121.92
13	66.04		

To convert to inches, divide by 25.4

**Part Numbering System**

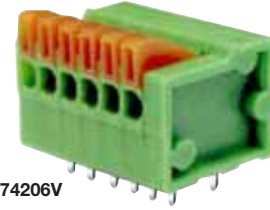
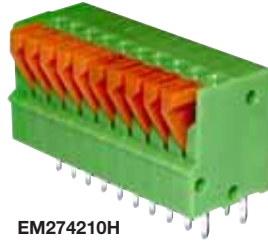
Series	# of Poles
<b>EM3908</b>	<input type="checkbox"/> <input type="checkbox"/>
	02 to 24



**EM2742 Series**  
**Euro-Mag Terminal Blocks**  
 Screwless; 2.54 Centers

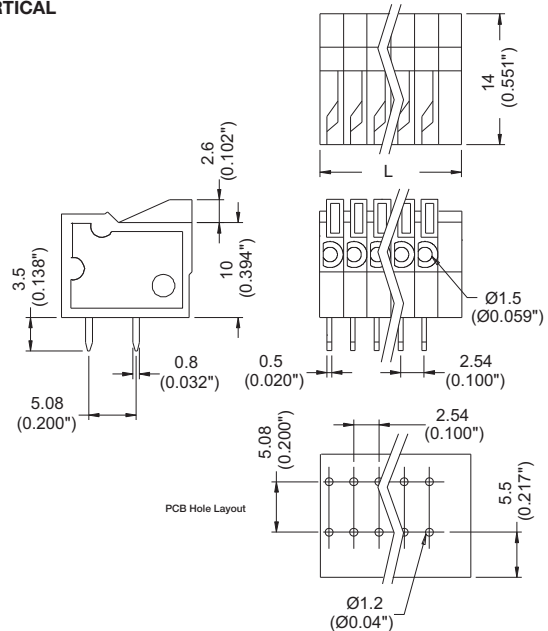
**SPECIFICATIONS**

- Rating: 6A, 63V
- Center Spacing: 0.10" (25.4mm)
- Wire Range: #20-26 AWG
- Housing Material: UL rated 94V0 Thermoplastic
- Contact Material: Tin-Plated Brass
- Spring Material: Stainless Steel
- Operating Temperature: 105°C (221°F) max., -40°C (-40°F) min.
- Recommended PCB Hole Diameters: 0.051" (1.30mm)
- Construction: Mold-to-Length
- Agency Information: File E62622; CE Certified

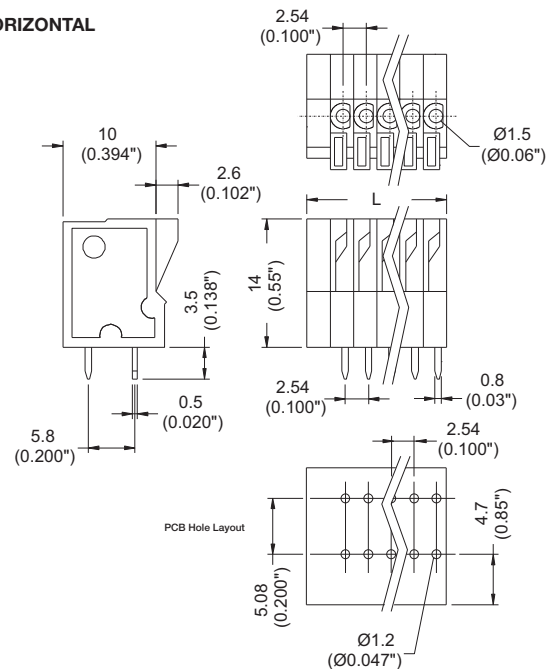


**Dimensions - mm (in)**

**VERTICAL**



**HORIZONTAL**



Poles	L (mm)	Poles	L (mm)
2	8.08	10	30.94
3	10.62	11	33.48
4	13.16	12	36.02
5	15.70	13	38.56
6	18.24	14	41.10
7	33.48	15	43.64
8	30.94	16	46.18
9	28.40		

To convert to inches, divide by 25.4

**Part Numbering System**

Series	# of Poles	Orientation
EM2742	□□	□
	02 to 16	H - horizontal V - vertical

Terminal Blocks:  
Single & Double Row

EuroMag Series

Terminal Blocks:  
Base & Rail Mount

Power Distribution  
Blocks

Wire Management  
Products

Edge Connectors,  
One-Sided Boards

Compliance  
References

**EM2783 Series**  
**Euro-Mag Terminal Blocks**

45° Entry; Screwless; 3.50 Centers

**SPECIFICATIONS**

**Rating:** 2A, 300V

**Center Spacing:** 0.136" (3.50mm)

**Wire Range:** #16-20 AWG

**Housing Material:** UL rated 94V0 Thermoplastic

**Contact Material:** Tin Plated Phos Bronze

**Operating Temperature:** 105°C (221°F) max., -40°C (-40°F) min.

**Recommended PCB Hole Diameters:** 0.051" (1.30mm)

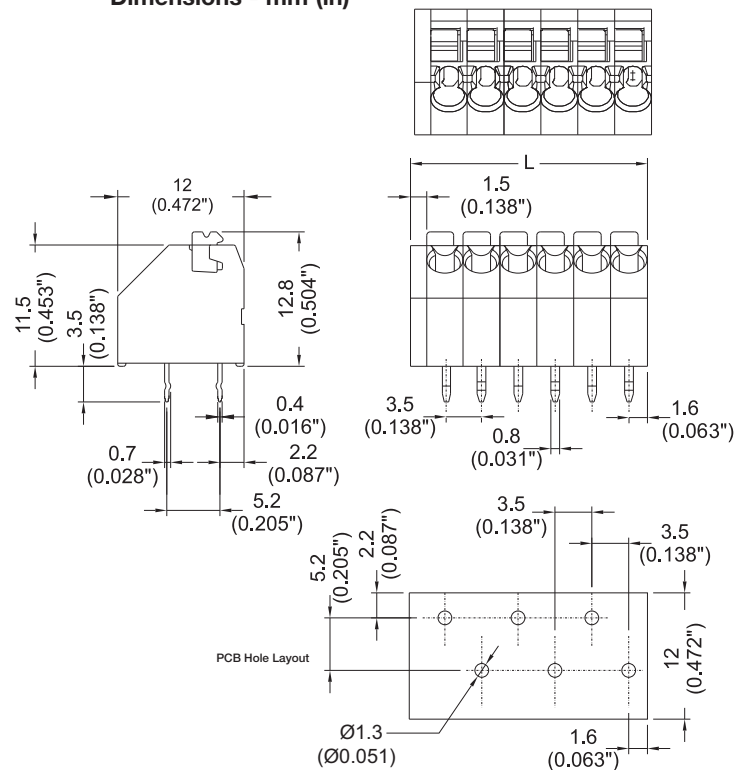
**Construction:** Mold-to-Length

**Agency Information:**  US File E62622; CE Certified



EM278305

**Dimensions - mm (in)**



Poles	L (mm)
2	8.5
4	15.5
6	22.5
8	29.5
10	36.5
12	43.5
14	50.5
16	57.5
18	64.5
20	71.5
22	78.5
24	92.5

To convert to inches, divide by 25.4

**Part Numbering System**

Series                      # of Poles

**EM2783**                 

                                    02 to 24

Terminal Blocks:  
Single & Double Row

EuroMag Series

Terminal Blocks:  
Base & Rail Mount

Power Distribution  
Blocks

Wire Management  
Products

Edge Connectors,  
One-Sided Boards

Compliance  
References

### EM2802 Series

### Euro-Mag Terminal Blocks

30° Entry; Screwless; 2.54 Centers

#### SPECIFICATIONS

Rating: 4A, 125V

Center Spacing: 0.10" (2.54mm)

Wire Range: #20-24 AWG

Housing Material: Gray Polyamide Type 6/6, 94V0

Contact Material: Tin-Plated Brass

Spring Material: Stainless Steel

Operating Temperature: 105°C (221°F) max., -40°C (-40°F) min.

Recommended PCB Hole Diameters: 0.051" (1.30mm)

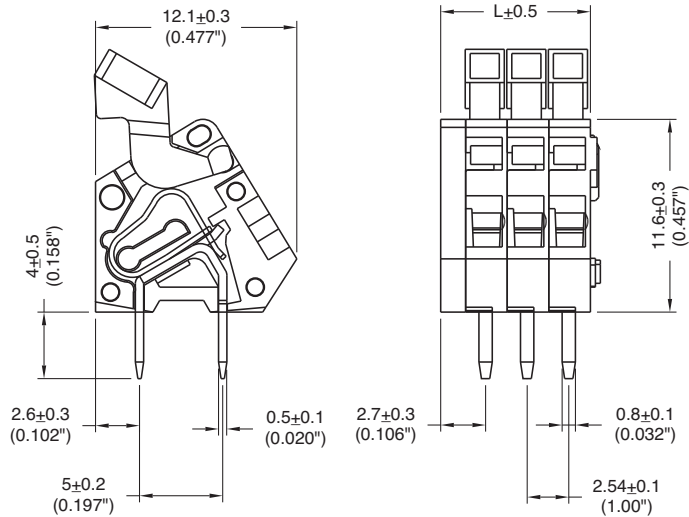
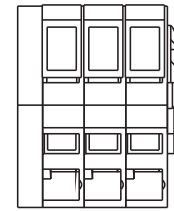
Construction: Mold-to-Length

Agency Information: File E62622; CE Certified



EM280207

#### Dimensions - mm (in)



Poles	L (mm)
2	7.08
3	9.62
4	12.16
5	14.70
6	17.24
7	19.78
8	22.32
9	24.86
10	27.40
11	29.94
12	32.48

To convert to inches, divide by 25.4

### Part Numbering System

Series	# of Poles
<b>EM2802</b>	<input type="checkbox"/> <input type="checkbox"/>
	02 to 12

**EM2785 Series**

**Euro-Mag Terminal Blocks**

45° Entry; Screwless; Modular; 5.00 Centers

**SPECIFICATIONS**

**Rating:** 7A, 300V

**Center Spacing:** 0.197" (5.00mm)

**Wire Range:** #16-22 AWG

**Housing Material:** UL rated 94V0 Thermoplastic

**Contact Material:** Tin-Plated Brass

**Spring Material:** Stainless Steel

**Operating Temperature:** 105°C (221°F) max., -40°C (-40°F) min.

**Recommended PCB Hole Diameters:** 0.051" (1.30mm)

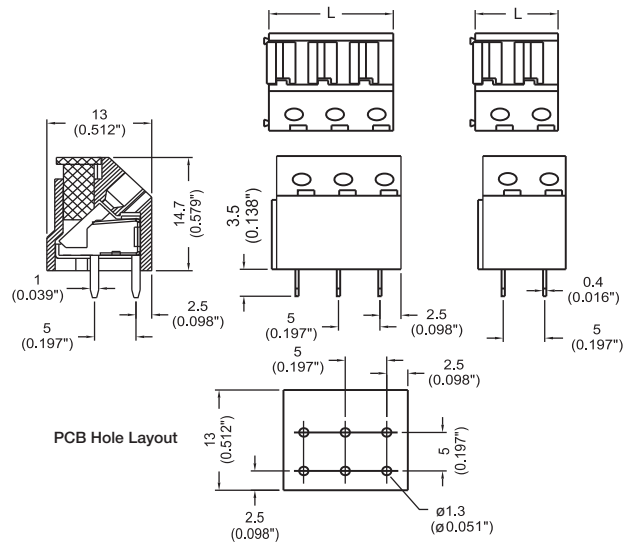
**Construction:** Modular design features dovetails for interlocking to achieve longer lengths

**Agency Information:** cULus File E62622; CE Certified



EM278505

**Dimensions - mm (in)**



Poles	L (mm)	Poles	L (mm)
2	10.0	14	70.0
3	15.0	15	75.0
4	20.0	16	80.0
5	25.0	17	85.0
6	30.0	18	90.0
7	35.0	19	95.0
8	40.0	20	100.0
9	45.0	21	105.0
10	50.0	22	110.0
11	55.0	23	115.0
12	60.0	24	120.0
13	65.0		

To convert to inches, divide by 25.4

**Part Numbering System**



Terminal Blocks:  
Single & Double Row

EuroMag Series

Terminal Blocks:  
Base & Rail Mount

Power Distribution  
Blocks

Wire Management  
Products

Edge Connectors,  
One-Sided Boards

Compliance  
References

**EM2778 Series**  
**Euro-Mag Terminal Blocks**  
 Screwless, Modular, 5.08 Centers

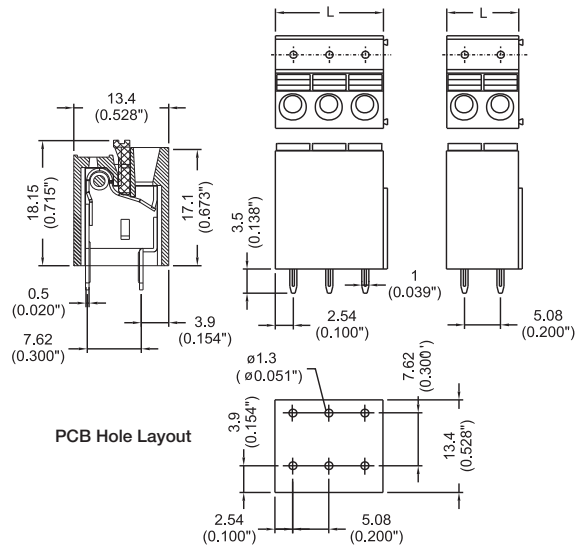
**SPECIFICATIONS**

- Rating:** 10A, 250V
- Center Spacing:** 0.20" (5.08mm)
- Wire Size:** #14-24 AWG
- Housing Material:** UL rated 94V0 Thermoplastic
- Contact Material:** Tin-Plated Brass
- Operating Temperature:** 105°C (221°F) max., -40°C (-40°F) min.
- Recommended PCB Hole Diameters:** 0.051" (1.30mm)
- Construction:** Modular design features dovetails for interlocking to achieve longer lengths
- Agency Information:** cULus File E62622; CE Certified



EM277805

**Dimensions - mm (in)**



Poles	L (mm)	Poles	L (mm)
2	10.16	14	71.12
3	15.24	15	76.20
4	20.32	16	81.28
5	25.40	17	86.36
6	30.48	18	91.44
7	35.56	19	96.52
8	40.64	20	101.16
9	45.72	21	106.68
10	50.80	22	111.76
11	55.88	23	116.84
12	60.96	24	121.92
13	66.04		

To convert to inches, divide by 25.4

**Part Numbering System**



Terminal Blocks:  
Single & Double Row

EuroMag Series

Terminal Blocks:  
Base & Rail Mount

Power Distribution  
Blocks


Wire Management  
Products

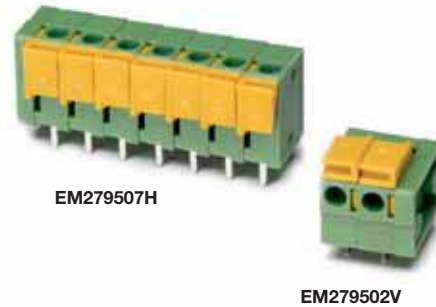
Edge Connectors,  
One-Sided Boards

Compliance  
References

**EM2795 Series**  
**Euro-Mag Terminal Blocks**  
 Screwless; 5.08 Centers

**SPECIFICATIONS**

- Rating: 10A, 300V
- Center Spacing: 0.20" (5.08mm)
- Wire Range: #14-24 AWG
- Housing Material: UL rated 94V0 Thermoplastic
- Contact Material: Tin-Plated Brass
- Operating Temperature: 105°C (221°F) max., -40°C (-40°F) min.
- Recommended PCB Hole Diameters: 0.051" (1.30mm)
- Construction: Mold-to-Length
- Agency Information:  File E62622; CE Certified

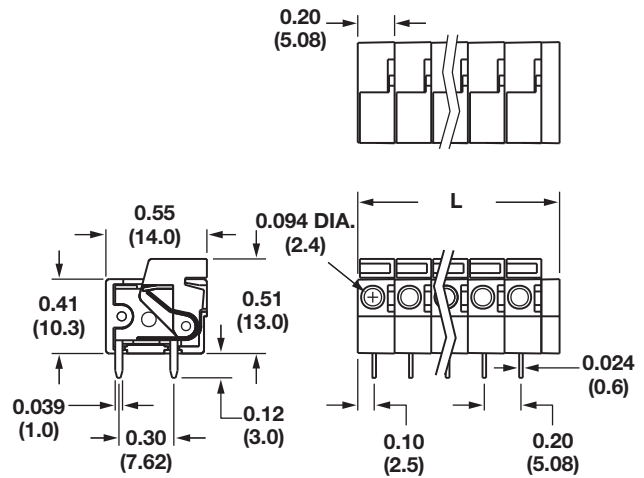


Poles	L (mm)	Poles	L (mm)
2	12.70	10	68.58
3	17.78	11	73.66
4	22.86	12	78.74
5	27.94	13	83.82
6	33.02	14	88.90
7	38.10	15	93.98
8	43.18	16	99.06
9	48.26		

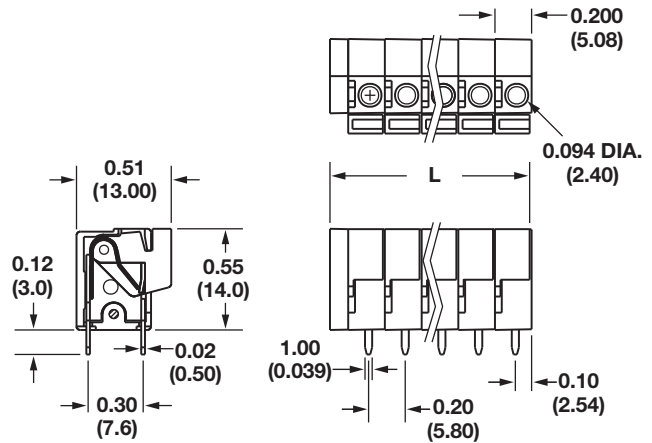
To convert to inches, divide by 25.4

**Dimensions - mm (in)**

**VERTICAL**



**HORIZONTAL**



**Part Numbering System**

Series	# of Positions	Orientation
<b>EM2795</b>	<input type="checkbox"/> <input type="checkbox"/>	<input type="checkbox"/>
	02 to 16	H - horizontal V - vertical

Terminal Blocks:  
Single & Double Row

EuroMag Series

Terminal Blocks:  
Base & Rail Mount

Power Distribution  
Blocks

Wire Management  
Products

Edge Connectors,  
One-Sided Boards

Compliance  
References



**EM2796 Series**  
**Euro-Mag Terminal Blocks**  
 Screwless; 7.62 Centers

**SPECIFICATIONS**

- Rating:** 10A, 300V
- Center Spacing:** 0.30" (7.62mm)
- Wire Range:** #14-24 AWG
- Housing Material:** UL rated 94V0 Thermoplastic
- Contact Material:** Tin-Plated Brass
- Operating Temperature:** 105°C (221°F) max., -40°C (-40°F) min.
- Recommended PCB Hole Diameters:** 0.051" (1.30mm)
- Construction:** Mold-to-Length
- Agency Information:** File E62622; CE Certified



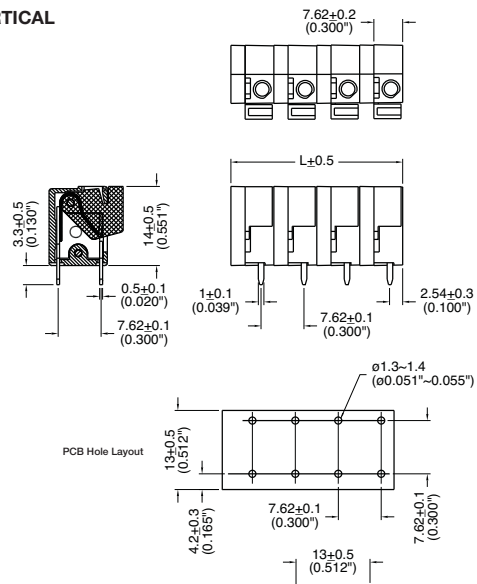
EM279606V



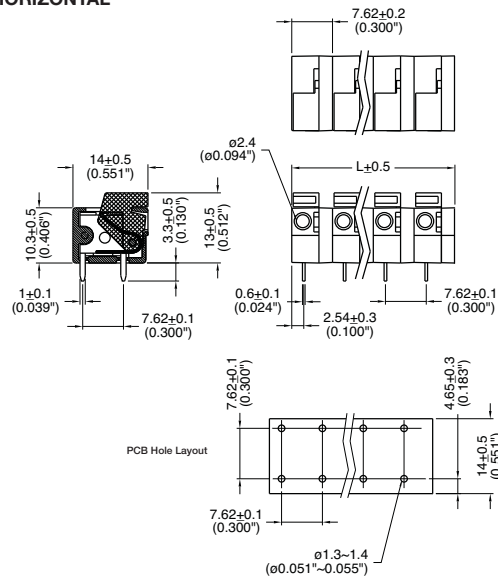
EM279603H

**Dimensions - mm (in)**

**VERTICAL**



**HORIZONTAL**



Poles	L (mm)	Poles	L (mm)
2	15.24	10	76.20
3	22.56	11	83.82
4	30.48	12	91.44
5	37.19	13	99.07
6	45.72	14	106.69
7	53.34	15	114.31
8	60.96	16	121.93
9	68.58		


To convert to inches, divide by 25.4

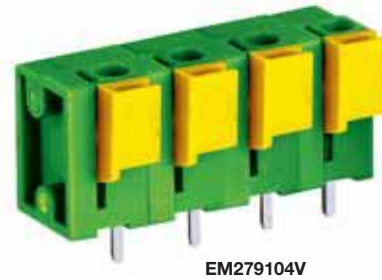
**Part Numbering System**

<b>Series</b>	<b># of Poles</b>	<b>Orientation</b>
EM2796	<input type="checkbox"/> <input type="checkbox"/>	<input type="checkbox"/>
	02 to 16	H - horizontal V - vertical

**EM2791 Series**  
**Euro-Mag Terminal Blocks**  
 Screwless; 10.16 Centers

**SPECIFICATIONS**

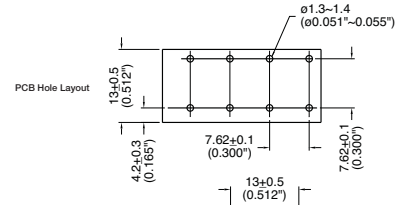
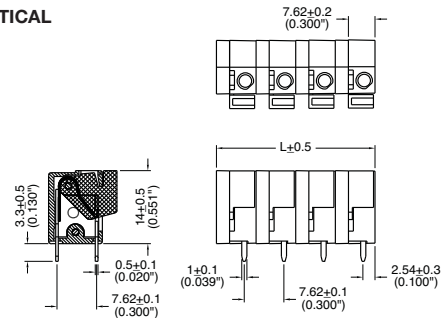
- Rating:** 10A, 300V
- Center Spacing:** 0.40" (10.16mm)
- Wire Range:** #14-24 AWG
- Housing Material:** UL rated 94V0 Thermoplastic
- Contact Material:** Tin-Plated Brass
- Operating Temperature:** 105°C (221°F) max., -40°C (-40°F) min.
- Recommended PCB Hole Diameters:** 0.051" (1.30mm)
- Construction:** Mold-to-Length
- Agency Information:**  US File E62622; CE Certified



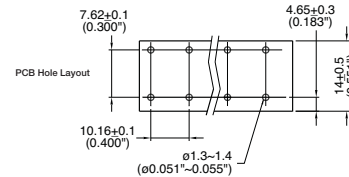
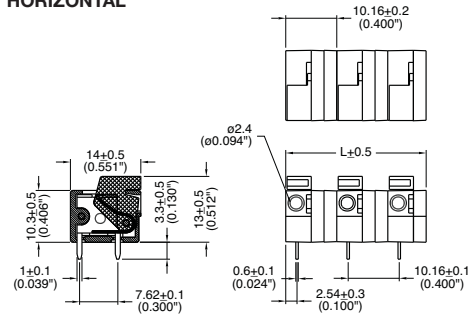
EM279104V

**Dimensions - mm (in)**

**VERTICAL**



**HORIZONTAL**



Poles	L (mm)	Poles	L (mm)
2	17.78	10	99.06
3	27.94	11	109.22
4	38.10	12	119.38
5	48.26	13	129.54
6	58.42	14	139.70
7	68.58	15	149.86
8	78.74	16	160.02
9	88.90		

To convert to inches, divide by 25.4

**Part Numbering System**

Series	# of Poles	Orientation
EM2791	<input type="checkbox"/> <input type="checkbox"/>	<input type="checkbox"/>
	02 to 16	H - horizontal V - vertical

Terminal Blocks:  
Single & Double Row

EuroMag Series

Terminal Blocks:  
Base & Rail Mount

Power Distribution  
Blocks

Wire Management  
Products

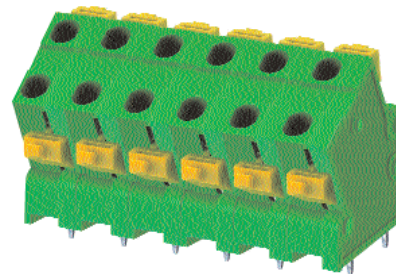
Edge Connectors,  
One-Sided Boards

Compliance  
References

**EM2816 Series**  
**Euro-Mag Terminal Blocks**  
 60° Entry; Screwless; 7.62 Centers

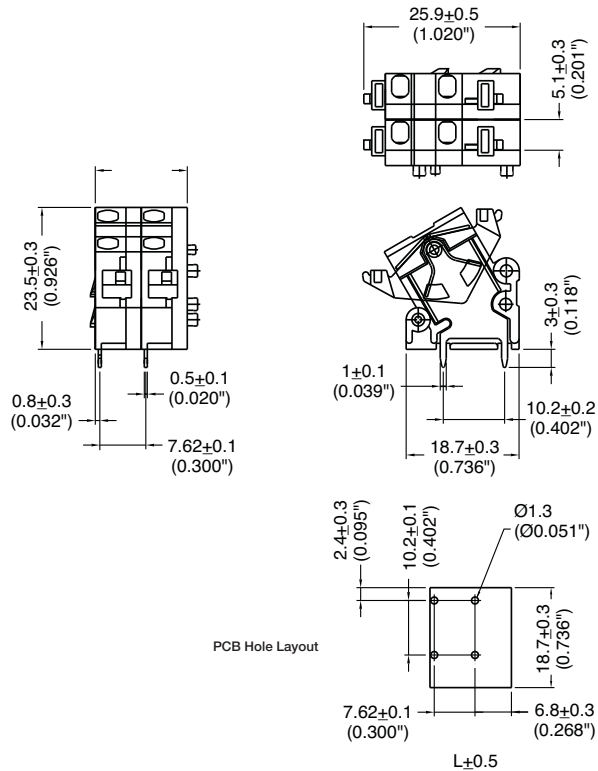
**SPECIFICATIONS**

- Rating:** 10A, 300V
- Center Spacing:** 0.30" (7.62mm)
- Wire Range:** #16-22 AWG
- Housing Material:** UL rated 94V0 Thermoplastic
- Contact Material:** Tin-Plated Brass
- Spring Material:** Stainless Steel
- Operating Temperature:** 105°C (221°F) max., -40°C (-40°F) min.
- Recommended PCB Hole Diameters:** 0.051" (1.30mm)
- Construction:** Mold-to-Length
- Agency Information:** US File E62622; CE Certified



EM281606

**Dimensions - mm (in)**



Poles	L (mm)
2	15.24
3	22.86
4	30.48
5	38.10
6	45.72
7	53.34
8	60.96
9	68.58
10	76.20
11	83.82
12	91.44

To convert to inches, divide by 25.4


**Part Numbering System**



**EM3533 Series  
Euro-Mag Terminal Blocks**

Pluggable Block (Mates with EM2221 Series);  
3.50 Centers

**SPECIFICATIONS**

- Rating:** 8A, 300V
- Center Spacing:** 0.138" (3.50mm)
- Wire Range:** #16-26 AWG
- Housing Material:** UL rated 94V0 Thermoplastic
- Contact Material:** Brass Tin-Plated
- Cage Clamp:** Brass, Nickel-Plated
- Screw Size:** M2.0 Nickel-Plated Steel
- Operating Temperature:** 105°C (221°F) max., -40°C (-40°F) min.
- Torque Rating:** 2.5 lb-in.
- Construction:** Mold-to-Length
- Agency Information:**  US File E62622; CE Certified

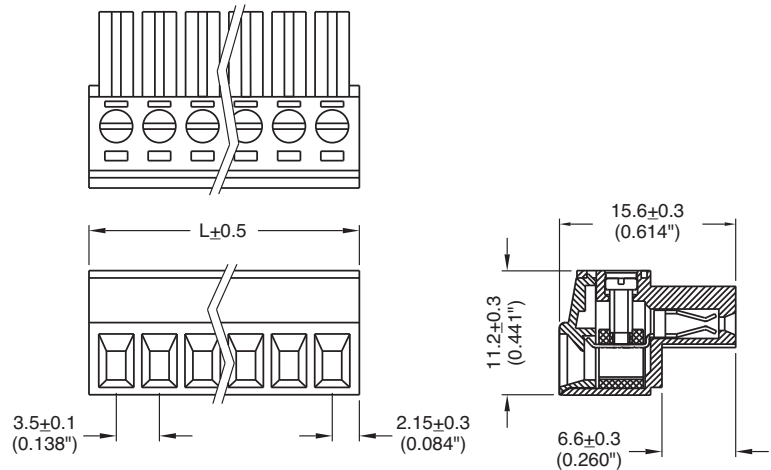


EM353308

Poles	L (mm)
2	7.8
3	11.3
4	14.8
5	18.3
6	21.8
7	25.3
8	28.8
9	32.3
10	35.8
11	33.3
12	42.8
13	46.3
14	49.8

To convert to inches, divide by 25.4

**Dimensions - mm (in)**



**Part Numbering System**



- Terminal Blocks:  
Single & Double Row
- EuroMag Series
- Terminal Blocks:  
Base & Rail Mount
- Power Distribution  
Blocks
- Wire Management  
Products
- Edge Connectors,  
One-Sided Boards
- Compliance  
References

### EM2221 Series

#### Euro-Mag Terminal Blocks

Closed Header; (Mates with EM3553 Series);  
3.50 Centers

#### SPECIFICATIONS

Rating: 8A, 300V

Center Spacing: 0.138" (3.50mm)

Housing Material: UL rated 94V0 Thermoplastic

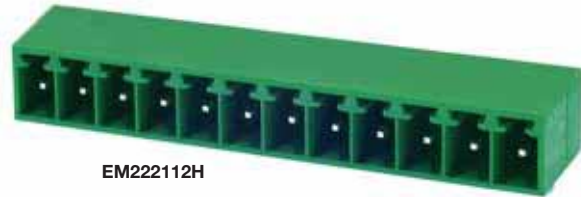
Contact Material: Brass Tin-Plated

Operating Temperature: 105°C (221°F) max., -40°C (-40°F) min.

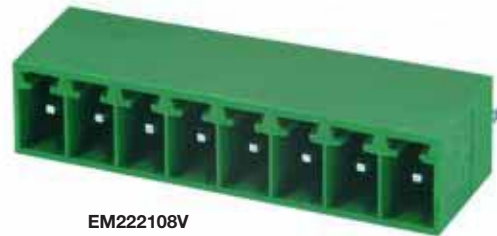
Recommended PCB Hole Diameters: 0.055" (1.40mm)

Construction: Mold-to-Length

Agency Information: File E62622; CE Certified



EM222112H



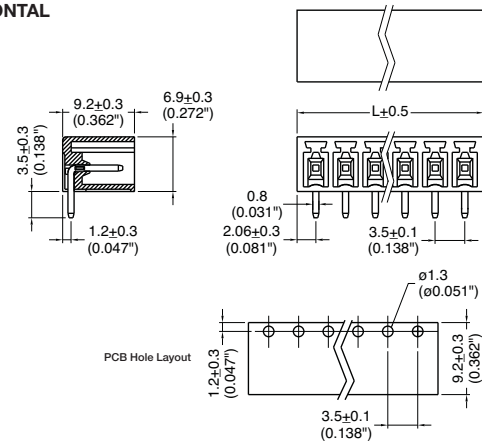
EM222108V

Poles	L (mm)
2	7.6
3	11.1
4	14.6
5	18.1
6	21.6
7	25.1
8	28.6
9	32.1
10	35.6
11	39.1
12	42.6
13	42.1
14	49.6

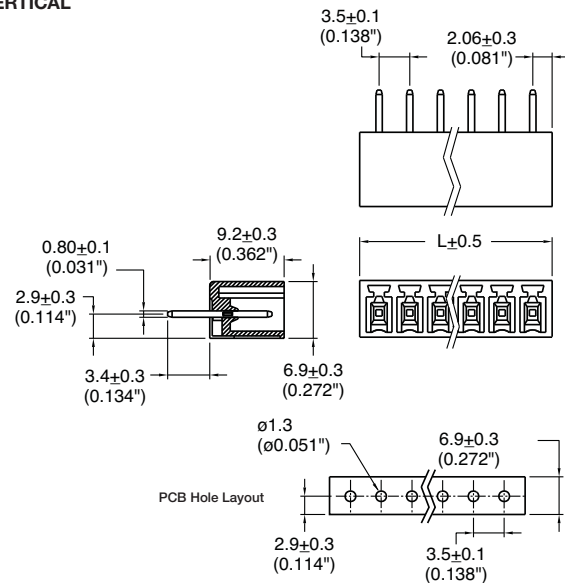
To convert to inches, divide by 25.4

#### Dimensions - mm (in)

##### HORIZONTAL



##### VERTICAL



### Part Numbering System

Series	# of Poles	Orientation
EM2221	<input type="checkbox"/> <input type="checkbox"/>	<input type="checkbox"/>
	02 to 14	H - horizontal V - vertical

Terminal Blocks:  
Single & Double Row

EuroMag Series

Terminal Blocks:  
Base & Rail Mount

Power Distribution  
Blocks

Wire Management  
Products


Edge Connectors,  
One-Sided Boards

Compliance  
References

**EM2413 Series  
Euro-Mag Terminal Blocks**

Pluggable Block with Flanges (Mates with EM2201 Series); 3.50 Centers

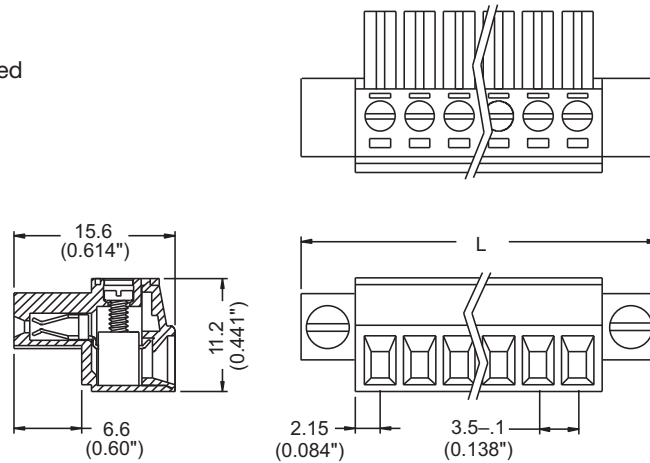
**SPECIFICATIONS**

- Rating:** 8A, 300V
- Center Spacing:** 0.138" (3.50mm)
- Wire Range:** #16-26 AWG
- Housing Material:** UL rated 94V0 Thermoplastic
- Contact Material:** Brass Tin-Plated
- Cage Clamp:** Brass, Nickel-Plated
- Screw Size:** M2.0 Nickel-Plated Steel
- Operating Temperature:** 105°C (221°F) max., -40°C (-40°F) min.
- Torque Rating:** 2.5 lb-in.
- Construction:** Mold-to-Length
- Agency Information:**  File E62622; CE Certified



EM241307

**Dimensions - mm (in)**



Poles	L (mm)
2	17.4
3	20.9
4	24.4
5	27.9
6	31.4
7	34.9
8	38.4
9	41.9
10	45.4
11	48.9
12	52.4

To convert to inches, divide by 25.4

**Part Numbering System**





### EM2201 Series

#### Euro-Mag Terminal Blocks

Header with Flanges (Mates with EM2413 Series); 3.50 Centers

#### SPECIFICATIONS

Rating: 8A, 300V

Center Spacing: 0.138" (3.50mm)

Housing Material: Green Polyamide Type 6/6, 94V0

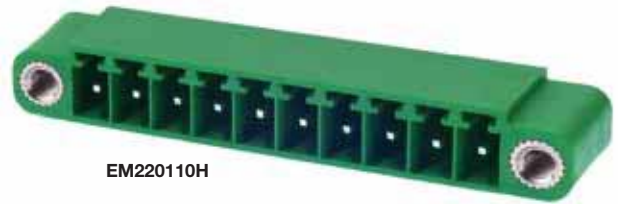
Contact Material: Brass Tin-Plated

Operating Temperature: 105°C (221°F) max., -40°C (-40°F) min.

Recommended PCB Hole Diameters: 0.055" (1.40mm)

Construction: Mold to Length

Agency Information: File E62622; CE Certified



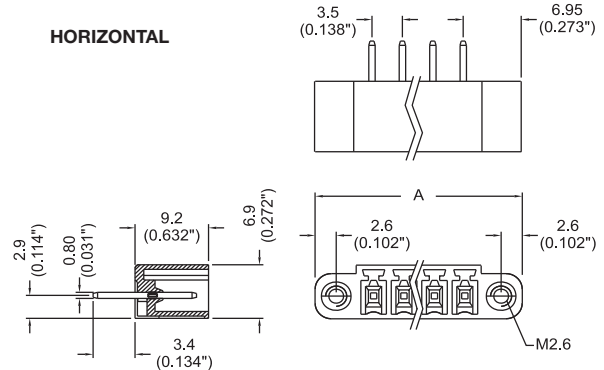
EM220110H



EM220109V

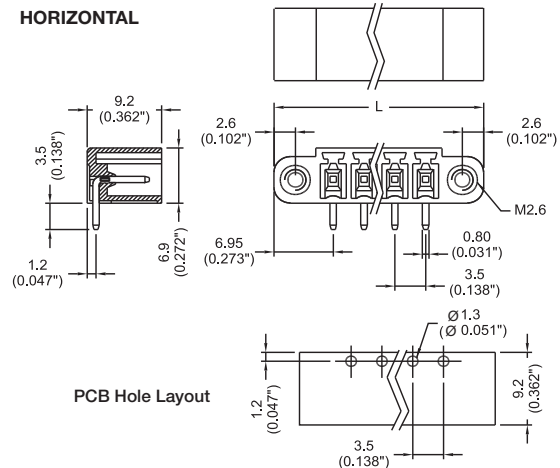
#### Dimensions - mm (in)

##### HORIZONTAL



##### PCB Hole Layout

##### HORIZONTAL



##### PCB Hole Layout

Poles	L (mm)
2	17.4
3	20.9
4	24.4
5	27.9
6	31.4
7	34.9
8	38.4
9	41.3
10	45.4
11	48.9
12	52.4

To convert to inches, divide by 25.4

### Part Numbering System

Series

EM2201

# of Poles

□ □

02 to 12


Orientation

□

H - horizontal  
V - vertical

**EM3553 Series**  
**Euro-Mag Terminal Blocks**  
 (Mates with EM3593 Series);  
 3.81 Centers

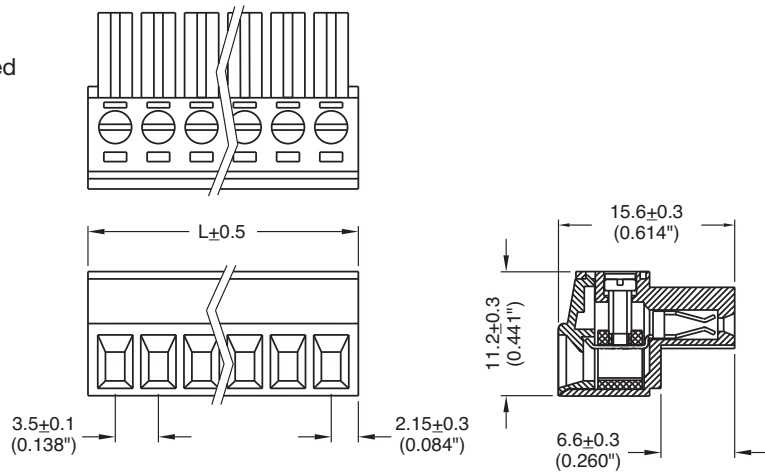
**SPECIFICATIONS**

- Rating:** 8A, 300V
- Center Spacing:** 0.15" (3.81mm)
- Consult factory for 0.30" (7.62mm)
- Wire Range:** #18-20 AWG
- Housing Material:** UL rated 94V0 Thermoplastic
- Contact Material:** Brass Tin-Plated
- Screw Size:** M2x3 Zinc-Plated Steel
- Operating Temperature:** 105°C (221°F) max., -40°C (-40°F) min.
- Torque Rating:** 3.0 lb-in.
- Construction:** Mold-to-Length
- Agency Information:**  File E62622; CE Certified



EM355308

**Dimensions - mm (in)**



Position	L (mm)
02	7.90
03	11.71
04	15.52
05	19.33
06	23.14
07	26.95
08	30.76
09	34.57
10	38.38
11	42.19
12	46.00

To convert to inches, divide by 25.4

**Part Numbering System**

Series                      # of Positions

**EM3553**                     

   02 to 12

Mating Header: EM3593 pg. 90

- Terminal Blocks:  
Single & Double Row
- EuroMag Series
- Terminal Blocks:  
Base & Rail Mount
- Power Distribution  
Blocks
- Wire Management  
Products
- Edge Connectors,  
One-Sided Boards
- Compliance  
References

### EM3543 Series

#### Euro-Mag Terminal Blocks

Pluggable Block (Mates with EM3593 Series);  
3.81 Centers

#### SPECIFICATIONS

**Rating:** 8A, 300V

**Center Spacing:** 0.15" (3.81mm)

Consult factory for 0.30" (7.62mm)

**Wire Range:** #16-24 AWG

**Housing Material:** UL rated 94V0 Thermoplastic

**Contact Material:** Brass Tin-Plated

**Cage Clamp:** Brass, Nickel-Plated

**Screw Size:** M2.0 Zinc-Plated Steel

**Operating Temperature:** 105°C (221°F) max., -40°C (-40°F) min.

**Torque Rating:** 2.5 lb-in.

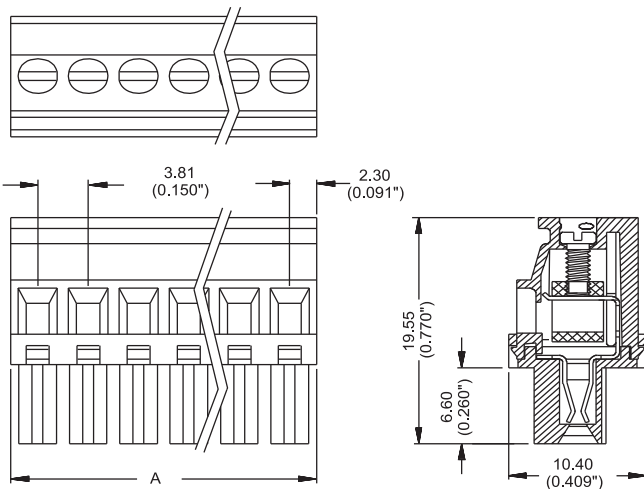
**Construction:** Mold-to-Length

**Agency Information:** File E62622; CE Certified



EM354309

#### Dimensions - mm (in)



Poles	L (mm)
2	8.41
3	12.22
4	16.03
5	19.84
6	23.65
7	27.46
8	31.27
9	35.08
10	38.89
11	42.70
12	46.51

To convert to inches, divide by 25.4

### Part Numbering System

Series

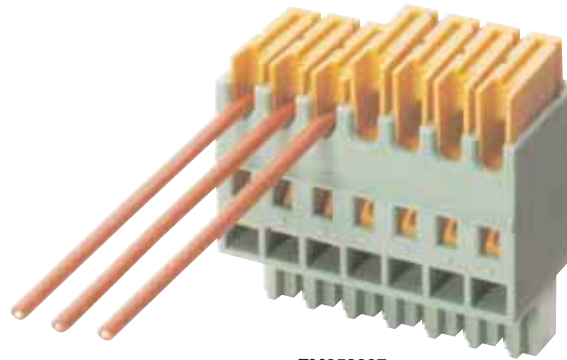
# of Poles



02 to 12

Mating Header: EM3593 pg. 90

**Series EM3583**  
**Euro-Mag Terminal Blocks**  
 IDC Pluggable Block  
 (Mates with EM3593 Series); 3.81 Centers

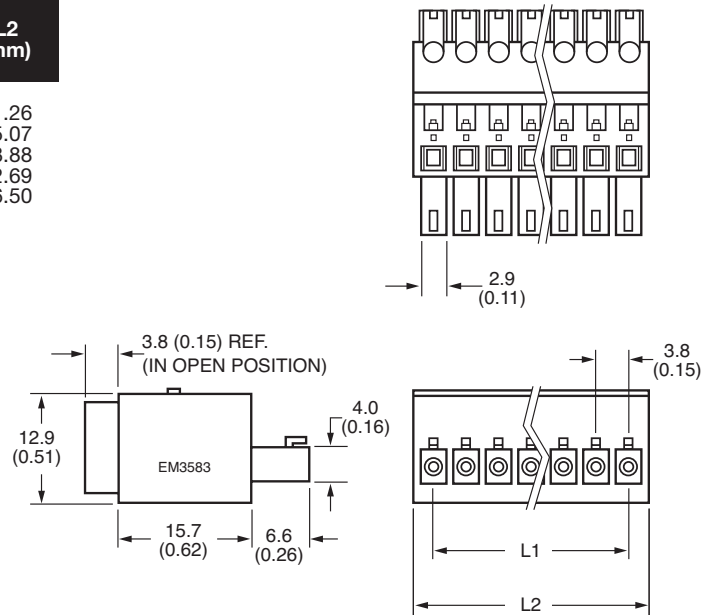


EM358307

- SPECIFICATIONS**  
**Ratings:** 6A, 160V  
**Center Spacing:** 0.15" (3.81mm)  
**Wire Range:** #22-20 AWG  
**Housing Material:** UL rated 94V0 Thermoplastic  
**Contact Material:** Brass, Tin-Plated  
**Operating Temperature:** 105°C (221°F) max., -49°C (-40°F) min.  
**Construction:** Mold-to-length.  
**Agency Information:** File E62622; CE Certified

Poles	L1 (mm)	L2 (mm)	Poles	L1 (mm)	L2 (mm)
02	3.81	8.40	08	26.67	31.26
03	7.62	12.21	09	30.48	35.07
04	11.43	16.02	10	34.29	38.88
05	15.24	19.83	11	38.10	42.69
06	19.05	23.64	12	41.91	46.50
07	22.86	27.45			

**Dimensions - mm (in)**



**Part Numbering System** Inches (Millimeters)

Series **EM3583** # of Positions    
 02 to 12

Mating Header: EM3593 pg. 90

- Terminal Blocks:  
Single & Double Row
- EuroMag Series
- Terminal Blocks:  
Base & Rail Mount
- Power Distribution  
Blocks
- Wire Management  
Products
- Edge Connectors,  
One-Sided Boards
- Compliance  
References

### Series EM3593

### Euro-Mag Terminal Blocks

Header (Mates with EM3553 Series); 3.81 Centers

#### SPECIFICATIONS

**Ratings:** 6A, 160V

**Center Spacing:** 0.15" (3.81mm)

**Housing Material:** UL rated 94V0 Thermoplastic

**Contact Material:** Brass, Tin-Plated

**Operating Temperature:** 105°C (221°F) max., -40°C (-40°F) min.

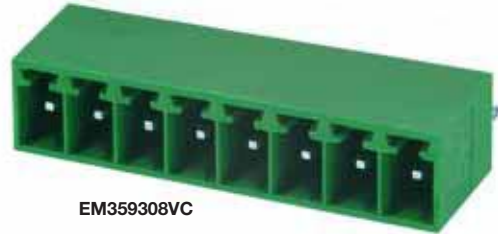
**Recommended PCB Hole Diameters:** 0.51" (1.30mm)

**Construction:** Mold-to-length.

**Agency Information:** US File E62622; CE Certified



EM359312HC



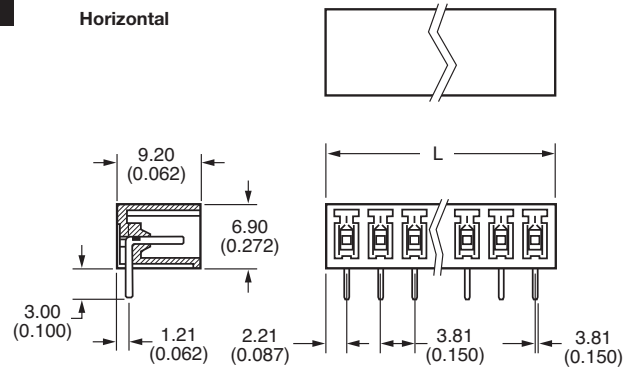
EM359308VC

Poles	L (mm)	Poles	L (mm)
02		08	31.09
03	8.23	09	34.90
04	12.04	10	38.71
05	15.85	11	42.52
06	19.66	12	46.33
07	23.47		
	27.28		

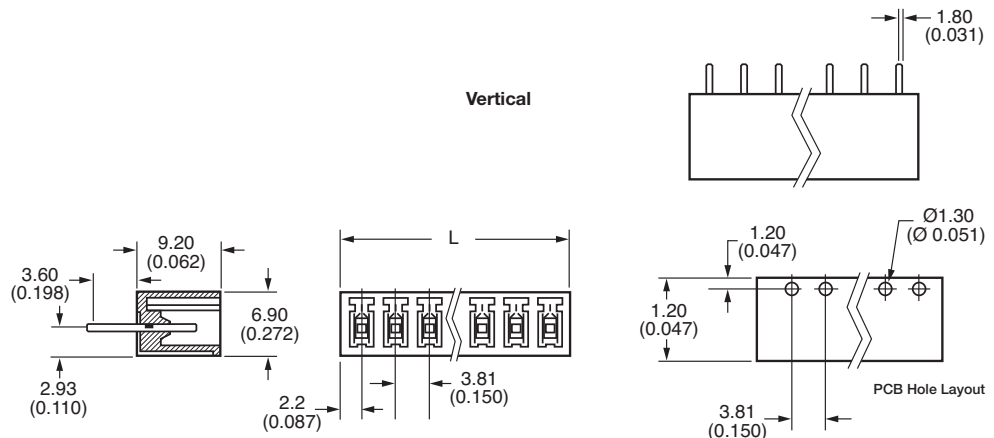
\* Dimensions in inches. To convert to millimeters, multiply by 25.4.

#### Dimensions - mm (in)

##### Horizontal



##### Vertical



### Part Numbering System

Inches (Millimeters)

Series



# of Positions



02 to 12

Orientation



H - Horizontal  
V - Vertical

Side Base




C - Closed

**Mating Plugs:** EM3553 pg. 87  
EM3543 pg. 88  
EM3583 pg. 89

**EM2423 Series  
Euro-Mag Terminal Blocks**

Pluggable Block with Flanges (Mates with EM2211 Series); 3.81 Centers

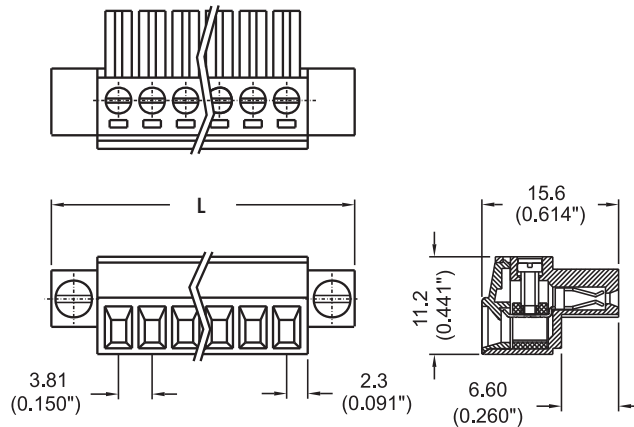
**SPECIFICATIONS**

- Rating:** 8A, 300V
- Center Spacing:** 0.15" (3.81mm)
- Wire Range:** #16-26 AWG
- Housing Material:** UL rated 94V0 Thermoplastic
- Contact Material:** Brass Tin-Plated
- Cage Clamp:** Brass, Nickel-Plated
- Screw Size:** M2.0 Nickel-Plated Steel
- Operating Temperature:** 105°C (221°F) max., -40°C (-40°F) min.
- Torque Rating:** 2.5 lb-in.
- Construction:** Mold-to-Length
- Agency Information:**  File E62622; CE Certified



EM242307

**Dimensions - mm (in)**



Poles	L (mm)
2	17.91
3	21.72
4	25.53
5	29.34
6	33.15
7	36.96
8	40.77
9	44.58
10	48.39
11	52.20
12	56.01

To convert to inches, divide by 25.4

**Part Numbering System**

Series                      # of Poles

**EM2423**                     

   02 to 12

Mating Header: EM2211 pg. 93

Terminal Blocks:  
Single & Double Row

EuroMag Series

Terminal Blocks:  
Base & Rail Mount

Power Distribution  
Blocks

Wire Management  
Products

Edge Connectors,  
One-Sided Boards

Compliance  
References



### EM2443 Series

#### Euro-Mag Terminal Blocks

Pluggable Block with Flanges (Mates with EM2211 Series); 3.81 Centers

#### SPECIFICATIONS

**Rating:** 10A, 300V

**Center Spacing:** 0.15" (3.81mm)  
Consult factory for 0.30" (7.62mm)

**Wire Range:** #16-24 AWG

**Housing Material:** UL rated 94V0 Thermoplastic

**Contact Material:** Brass Tin-Plated

**Cage Clamp:** Brass, Nickel-Plated

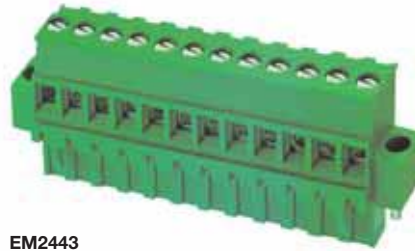
**Screw Size:** M2.0 Nickel-Plated Steel

**Operating Temperature:** 105°C (221°F) max., -40°C (-40°F) min.

**Torque Rating:** 2.5 lb-in.

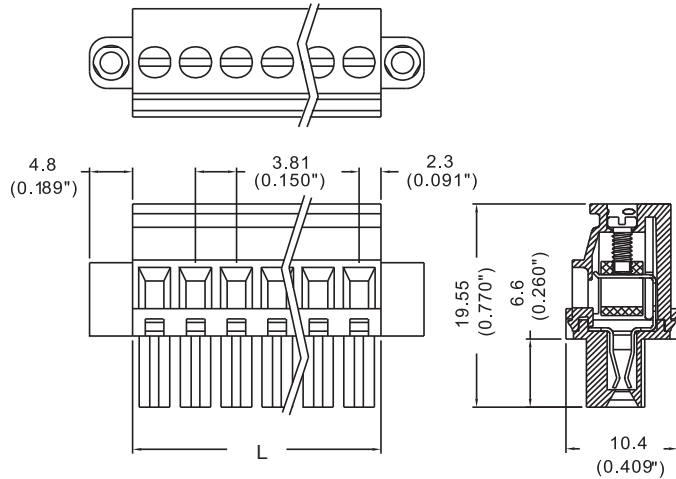
**Construction:** Mold-to-Length

**Agency Information:** US File E62622; CE Certified



EM2443

#### Dimensions - mm (in)



Poles	L (mm)
2	7.90
3	11.71
4	15.52
5	19.33
6	23.14
7	26.95
8	30.76
9	34.57
10	38.38
11	42.19
12	46.00

To convert to inches, divide by 25.4

### Part Numbering System



Mating Header: EM2211 pg. 93

**EM2211 Series**

**Euro-Mag Terminal Blocks**

Header with Flanges (Mates with EM2423, EM2443 Series); 3.81 Centers

**SPECIFICATIONS**

**Rating:** 8A, 300V

**Center Spacing:** 0.15" (3.81mm)

Consult factory for 0.30" (7.62mm)

**Housing Material:** UL rated 94V0 Thermoplastic

**Contact Material:** Brass Tin-Plated

**Operating Temperature:** 105°C (221°F) max., -40°C

(-40°F) min.

**Recommended PCB Hole Diameters:** 0.055" (1.40mm)

**Construction:** Mold to Length

**Agency Information:** eFUS File E62622; CE Certified

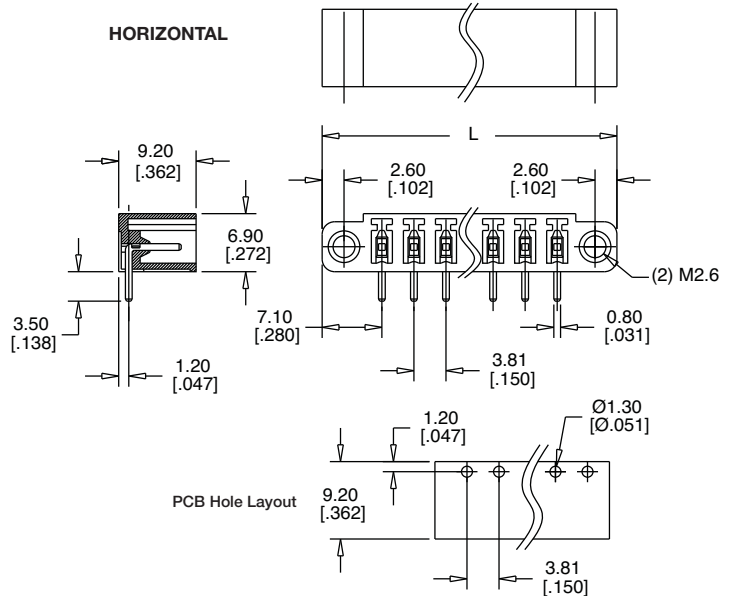


Poles	L (mm)
2	18.02
3	21.83
4	25.64
5	29.45
6	33.26
7	37.07
8	40.88
9	44.69
10	48.50
11	52.31
12	56.12
14	63.74

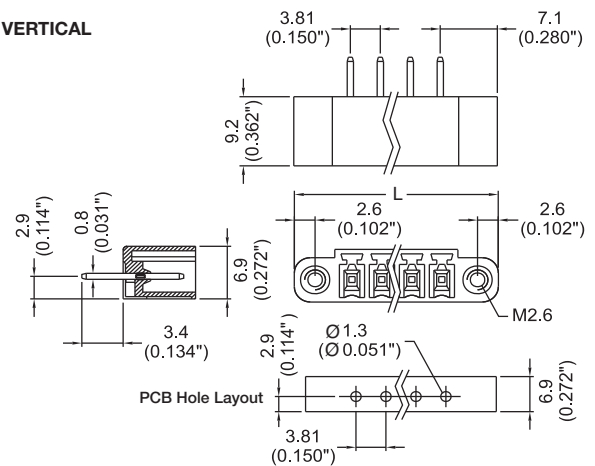
To convert to inches, divide by 25.4

**Dimensions - mm (in)**

**HORIZONTAL**



**VERTICAL**



**Part Numbering System**

Series	# of Poles	Orientation
EM2211	<input type="checkbox"/> <input type="checkbox"/>	<input type="checkbox"/>
	02 to 14	H - horizontal V - vertical

**Mating Plugs:** EM2423 pg. 91  
EM2443 pg. 92

### EM2525 Series

### Euro-Mag Terminal Blocks

Pluggable Block (Mates with EM2535 Series); 5.00 Centers

#### SPECIFICATIONS

**Rating:** 16A, 300V

**Center Spacing:** 0.197" (5.00mm)

Consult factory for 0.394" (10.00mm)

**Wire Range:** #12-26 AWG

**Housing Material:** UL rated 94V0 Thermoplastic

**Contact Material:** Brass Tin-Plated

**Screw Size:** M3x5 Zinc-Plated Steel

**Operating Temperature:** 105°C (221°F) max., -40°C (-40°F) min.

**Torque Rating:** 7 lb-in.

**Construction:** Mold-to-Length

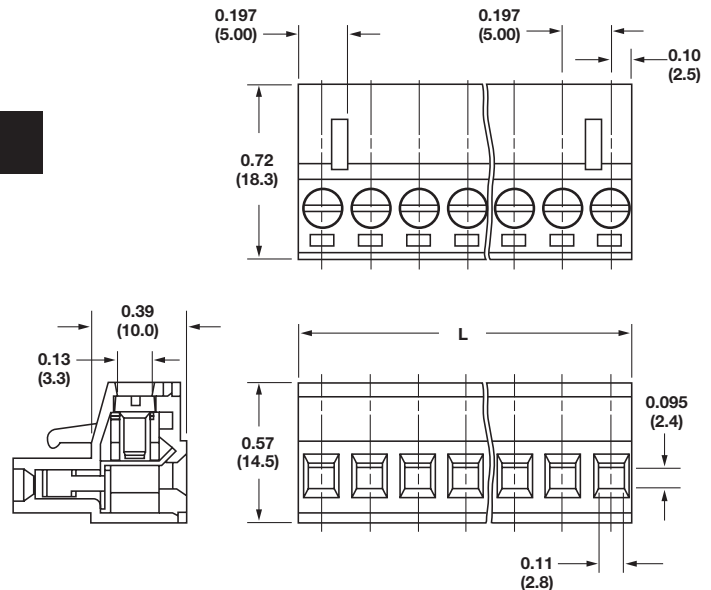
**Connector Style:** Rising Cage Clamp

**Agency Information:** File E62622; CE Certified



EM252503

#### Dimensions - mm (in)



Poles	L (mm)	Poles	L (mm)
02	10.0	14	70.0
03	15.0	15	75.0
04	20.0	16	80.0
05	25.0	17	85.0
06	30.0	18	90.0
07	35.0	19	95.0
08	40.0	20	100.0
09	45.0	21	105.0
10	50.0	22	110.0
11	55.0	23	115.0
12	60.0	24	120.0
13	65.0		

To convert to inches, divide by 25.4

### Part Numbering System

Series


# of Positions

EM2525

02 to 24

Mating Header: EM2535 pg. 97

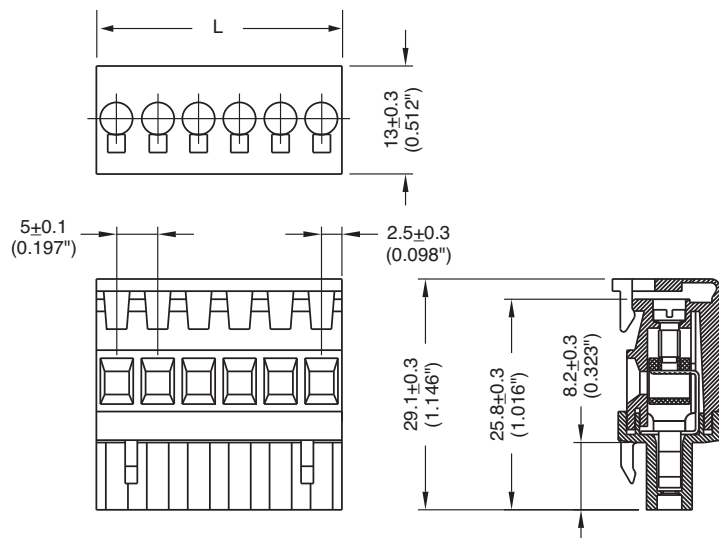
**EM2485 Series**  
**Euro-Mag Terminal Blocks**  
Pluggable Block with Cover  
(Mates with EM2535 Series); 5.00 Centers

- SPECIFICATIONS**  
**Rating:** 16A, 300V  
**Center Spacing:** 0.197" (5.00mm)  
**Wire Range:** #14-24 AWG  
**Housing Material:** UL rated 94V0 Thermoplastic  
**Contact Material:** Tin-Plated Phos Bronze  
**Cage Clamp:** Brass, Nickel-Plated  
**Screw Size:** M2.6 Nickel-Plated Steel  
**Operating Temperature:** 105°C (221°F) max., -40°C (-40°F) min.  
**Torque Rating:** 4.5 lb-in.  
**Construction:** Mold-to-Length  
**Agency Information:**  File E62622; CE Certified



EM248506

**Dimensions - mm (in)**



Poles	L (mm)
2	10.0
3	15.0
4	20.0
5	25.0
6	30.0
7	35.0
8	40.0

To convert to inches, divide by 25.4

**Part Numbering System**



Mating Header: EM2535 pg. 97

**EM3105 Series****Euro-Mag Terminal Blocks**

Pluggable Block; Top Entry  
(Mates with EM2535 Series); 5.00 Centers

**SPECIFICATIONS**

**Rating:** 16A, 300V

**Center Spacing:** 0.197" (5.00mm)

**Wire Range:** #14-24 AWG

**Housing Material:** UL rated 94V0 Thermoplastic

**Contact Material:** Tin-Plated Phos Bronze

**Cage Clamp:** Brass, Nickel-Plated

**Screw Size:** M2.6 Nickel-Plated Steel

**Operating Temperature:** 105°C (221°F) max., -40°C (-40°F) min.

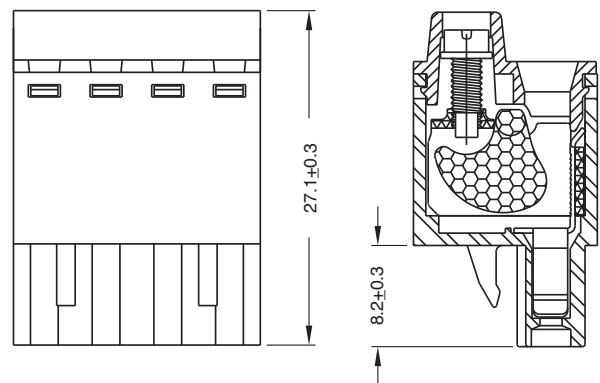
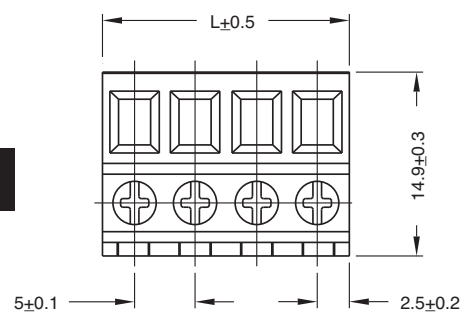
**Torque Rating:** 4.5 lb-in.

**Construction:** Mold-to-Length

**Agency Information:**  File E62622; CE Certified



EM310508

**Dimensions - mm (in)**

Poles	L (mm)	Poles	L (mm)
2	10.0	8	40.0
3	15.0	9	45.0
4	20.0	10	50.0
5	25.0	11	55.0
6	30.0	12	60.0
7	35.0		

To convert to inches, divide by 25.4

**Part Numbering System**

Series

# of Poles

EM3105  

02 to 12

**Mating Plugs:** EM2525 pg. 94  
EM2485 pg. 95  
EM3105 pg. 96

**EM2535 Series**

**Euro-Mag Terminal Blocks**

Header (Mates with EM2525, EM2485 & EM3105 Series); 5.00 Centers

**SPECIFICATIONS**

**Rating:** 16A, 300V

**Center Spacing:** 0.197" (5.00mm)

Consult factory for 0.394" (10.00mm)

**Housing Material:** UL rated 94V0 Thermoplastic

**Contact Material:** Brass Tin-Plated

**Operating Temperature:** 105°C (221°F) max., -40°C (-40°F) min.

**Recommended PCB Hole Diameters:** 0.055" (1.40mm)

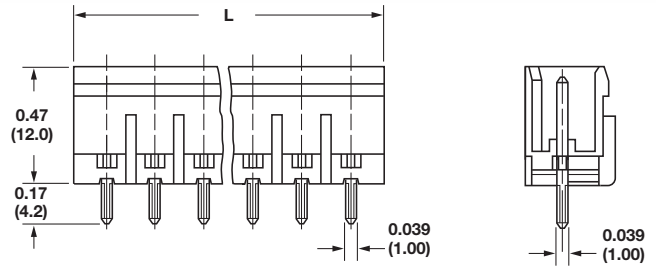
**Construction:** Mold-to-Length

**Agency Information:** File E62622; CE Certified

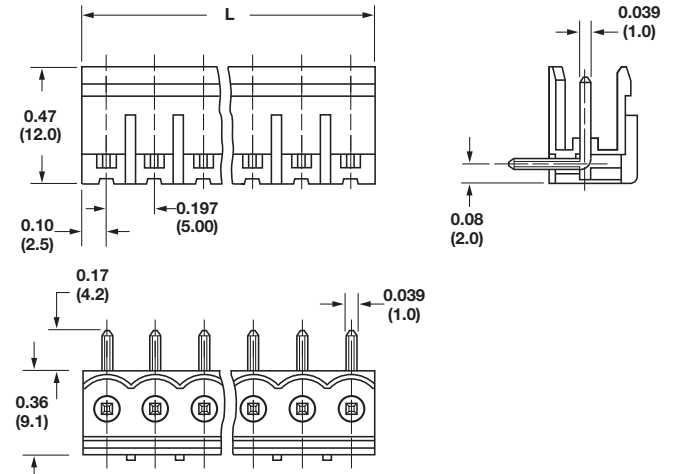


**Dimensions - mm (in)**

**VERTICAL - CLOSED**



**HORIZONTAL - OPEN**



Position	Open L (mm)	Closed L (mm)	Position	Open L (mm)	Closed L (mm)
02	10.0	12.0	14	70.0	72.0
03	15.0	17.0	15	75.0	77.0
04	20.0	22.0	16	80.0	82.0
05	25.0	27.0	17	85.0	87.0
06	30.0	32.0	18	90.0	92.0
07	35.0	37.0	19	95.0	97.0
08	40.0	42.0	20	100.0	102.0
09	45.0	47.0	21	105.0	107.0
10	50.0	52.0	22	110.0	112.0
11	55.0	57.0	23	115.0	117.0
12	60.0	62.0	24	120.0	122.0
13	65.0	67.0			

To convert to inches, divide by 25.4

**Part Numbering System**

Series	# of Positions	Orientations	Side Base
<b>EM2535</b>	<input type="checkbox"/> <input type="checkbox"/>	<input type="checkbox"/>	<input type="checkbox"/>
	02 to 24	H - horizontal V - vertical	O - open C - closed

**Mating Plugs:** EM2525 pg. 94  
EM2485 pg. 95  
EM3105 pg. 96

Terminal Blocks:  
Single & Double Row

EuroMag Series

Terminal Blocks:  
Base & Rail Mount

Power Distribution  
Blocks

Wire Management  
Products

Edge Connectors,  
One-Sided Boards

Compliance

### EM2565 Series

### Euro-Mag Terminal Blocks

Pluggable Block (Mates with EM2575 Series); 5.08 Centers

#### SPECIFICATIONS

**Rating:** 16A, 300V

**Center Spacing:** 0.20" (5.08mm)  
Consult factory for 0.40" (10.16mm)

**Wire Range:** #12-26 AWG

**Housing Material:** UL rated 94V0 Thermoplastic

**Contact Material:** Brass Tin-Plated

**Screw Size:** M3x5 Zinc-Plated Steel

**Operating Temperature:** 105°C (221°F) max., -40°C (-40°F) min.

**Torque Rating:** 7 lb-in.

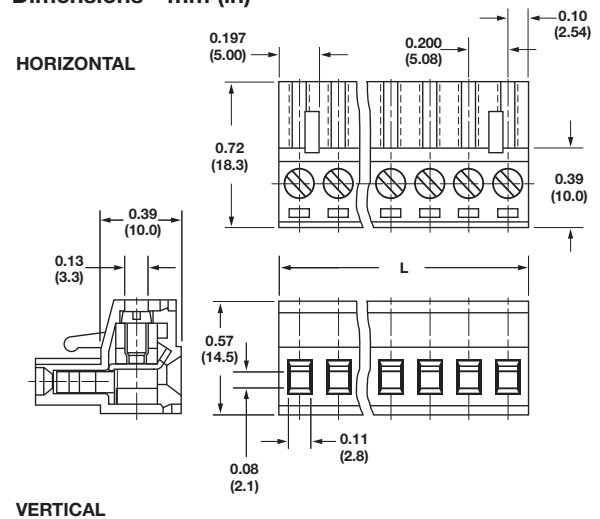
**Construction:** Mold-to-Length

**Agency Information:** File E62622; CE Certified



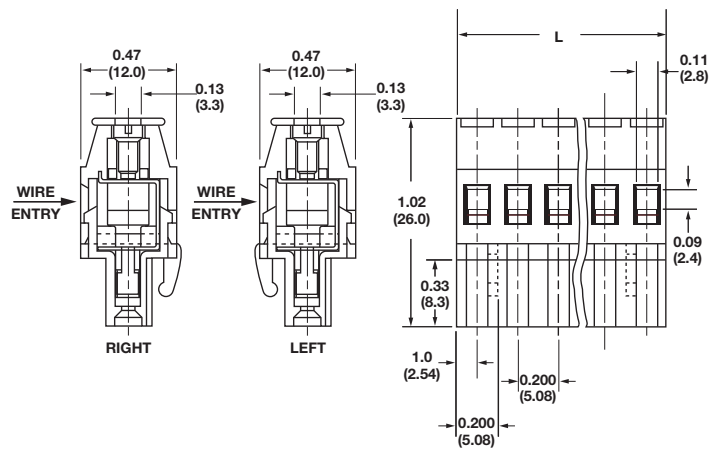
EM25603VR

#### Dimensions - mm (in)



Position	L (mm)	Position	L (mm)
02	10.16	14	71.12
03	15.24	15	76.20
04	20.32	16	81.28
05	25.40	17	86.36
06	30.48	18	91.44
07	35.56	19	96.52
08	40.64	20	101.60
09	45.72	21	106.68
10	50.80	22	111.76
11	55.88	23	116.84
12	60.96	24	121.92
13	66.04		

To convert to inches, divide by 25.4



### Part Numbering System

Series	# of Positions	Orientation	Wire Entry (Vertical Orientation Only)	Mating Header: EM2575 pg. 101
<b>EM2565</b>	<input type="checkbox"/>	<input type="checkbox"/>	<input type="checkbox"/>	
	02 to 24	H - horizontal V - vertical	L - left R - right	



**EM2488 Series  
Euro-Mag Terminal Blocks**

Pluggable Block (Mates with EM2575 Series); 5.08 Centers with Cover

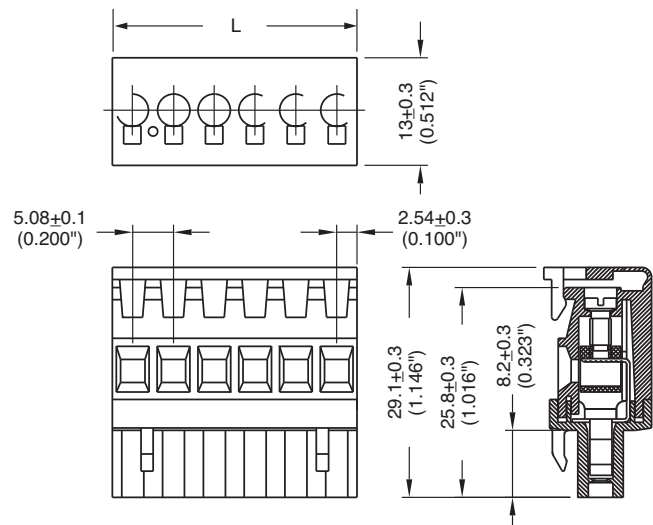
**SPECIFICATIONS**

- Rating:** 16A, 300V
- Center Spacing:** 0.20" (5.08mm)
- Wire Range:** #14-24 AWG
- Housing Material:** UL rated 94V0 Thermoplastic
- Contact Material:** Brass Tin-Plated
- Cage Clamp:** Brass, Nickel-Plated
- Screw Size:** M2.6 Nickel-Plated Steel
- Operating Temperature:** 105°C (221°F) max., -40°C (-40°F) min.
- Torque Rating:** 4.5 lb-in.
- Construction:** Mold-to-Length
- Agency Information:**  US File E62622; CE Certified



EM248806

**Dimensions - mm (in)**



Poles	L (mm)
2	10.16
3	15.24
4	20.32
5	25.40
6	30.48
7	35.56
8	40.64

To convert to inches, divide by 25.4

**Part Numbering System**

Series                      # of Poles

**EM2488**                   

   02 to 08

Mating Header: EM2575 pg. 101

Terminal Blocks:  
Single & Double Row

EuroMag Series

Terminal Blocks:  
Base & Rail Mount

Power Distribution  
Blocks

Wire Management  
Products

Edge Connectors,  
One-Sided Boards

Compliance  
References

### EM3108 Series

#### Euro-Mag Terminal Blocks

Pluggable Block; Front Entry (Mates with EM2575 Series); 5.08 Centers

#### SPECIFICATIONS

**Rating:** 16A, 300V

**Center Spacing:** 0.20" (5.08mm)

**Wire Range:** #14-24 AWG

**Housing Material:** UL rated 94V0 Thermoplastic

**Contact Material:** Brass Tin-Plated

**Cage Clamp:** Brass, Nickel-Plated

**Screw Size:** M2.6 Nickel-Plated Steel

**Operating Temperature:** 105°C (221°F) max., -40°C (-40°F) min.

**Torque Rating:** 4.5 lb-in.

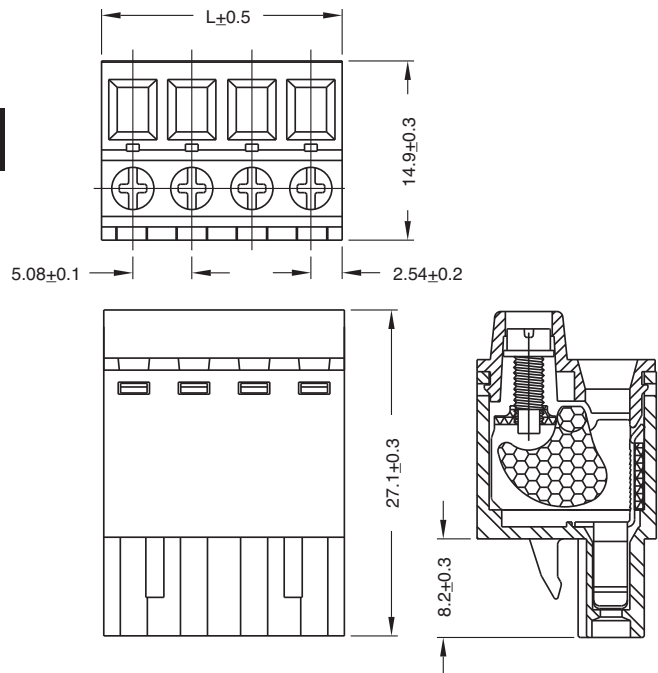
**Construction:** Mold-to-Length

**Agency Information:** US File E62622; CE Certified



EM310808

#### Dimensions - mm (in)



Poles	L (mm)	Poles	L (mm)
2	10.16	14	71.12
3	15.24	15	76.20
4	20.32	16	81.28
5	25.40	17	86.36
6	30.48	18	91.44
7	35.45	19	96.52
8	40.64	20	101.60
9	45.72	21	106.68
10	50.80	22	111.76
11	55.88	23	116.84
12	60.96	24	121.92
13	66.04		

To convert to inches, divide by 25.4

### Part Numbering System

Series

# of Poles



02 to 24

Mating Header: EM2575 pg. 101

## EM2575 Series Euro-Mag Terminal Blocks

Header (Mates with EM2565, EM2488, EM3108 Series); 5.08 Centers

### SPECIFICATIONS

**Rating:** 16A, 300V

**Center Spacing:** 0.20" (5.08mm)

Consult factory for 0.40" (10.16mm)

**Housing Material:** UL rated 94V0 Thermoplastic

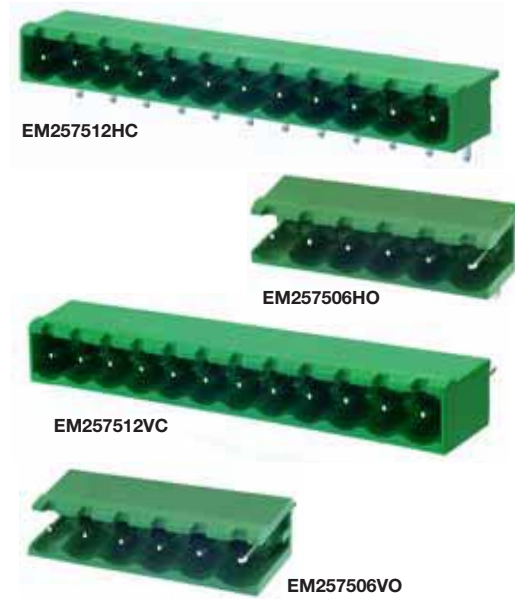
**Contact Material:** Brass Tin-Plated

**Operating Temperature:** 105°C (221°F) max., -40°C (-40°F) min.

**Recommended PCB Hole Diameters:** 0.055" (1.40mm)

**Construction:** Mold-to-Length

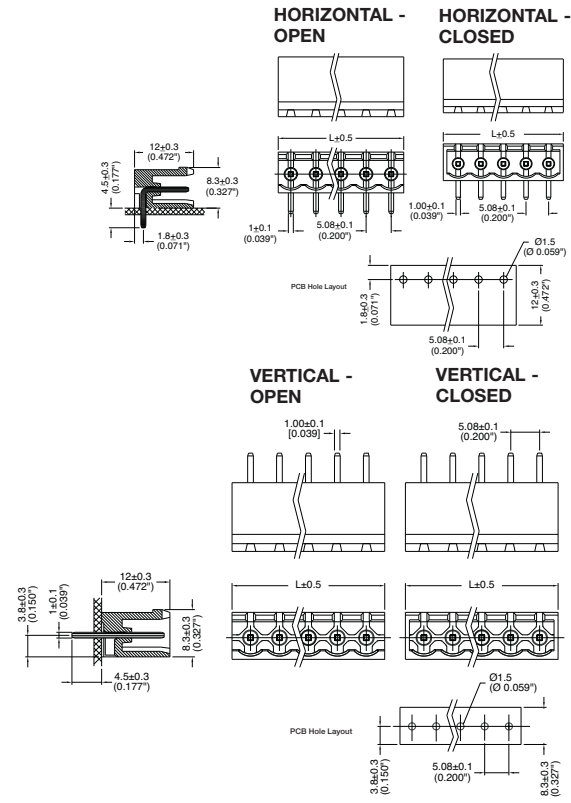
**Agency Information:** File E62622; CE Certified



Poles	Open L (mm)	Closed L (mm)	Poles	Open L (mm)	Closed L (mm)
2	10.16	12.08	14	71.12	73.04
3	15.24	17.16	15	76.20	78.12
4	20.32	22.24	16	81.28	83.20
5	25.40	27.32	17	86.36	88.28
6	30.48	32.40	18	91.44	93.36
7	35.56	37.48	19	96.52	98.44
8	40.64	42.66	20	101.60	103.52
9	45.72	47.64	21	106.68	105.60
10	50.80	52.72	22	111.76	113.68
11	55.88	57.80	23	116.84	118.76
12	60.96	62.88	24	121.92	123.84
13	66.04	67.96			

To convert to inches, divide by 25.4

### Dimensions - mm (in)



## Part Numbering System

Series	# of Poles	Orientation	Side Base
<b>EM2575</b>	<input type="checkbox"/>	<input type="checkbox"/>	<input type="checkbox"/>
	<b>02 to 24</b>	<b>H</b> - horizontal <b>V</b> - vertical	<b>O</b> - open <b>C</b> - closed

**Mating Plugs:** EM2565 pg. 98  
EM2488 pg. 99  
EM3108 pg. 100

Terminal Blocks:  
Single & Double Row

EuroMag Series

Terminal Blocks:  
Base & Rail Mount

Power Distribution  
Blocks

Wire Management  
Products

Edge Connectors,  
One-Sided Boards

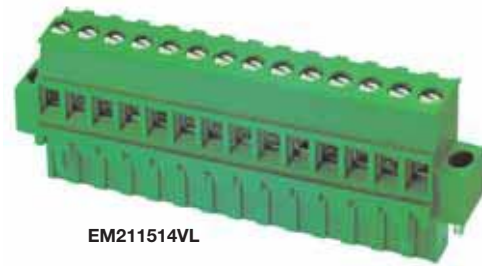
Compliance  
References

### Series EM2115 Series

Pluggable Terminal Block with Flanges;  
(Mates with EM2215 Series); 5.00 Centers

**SPECIFICATIONS:**

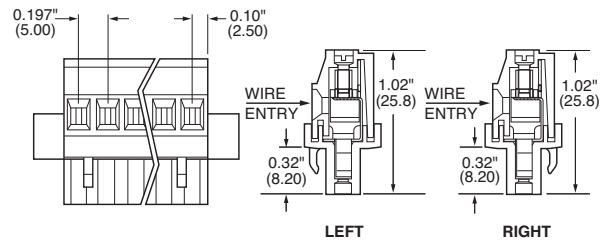
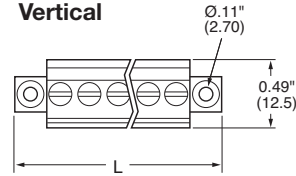
- Rating:** 16A, 300V
- Center Spacing:** 0.197" (5.00mm)
- Wire Range:** #14-24 AWG
- Housing Material:** UL rated 94V0 Thermoplastic
- Contact Material:** Tin-Plated Phosphor Bronze
- Screw Size:** M2x6 Nickel-Plated Steel
- Operating Temperature:** 105°C (221°F) max., -55°C (-67°F) min.
- Torque Rating:** 4.5 lb-in.
- Construction:** Mold-to-Length
- Agency Information:** US File E62622; CE Certified



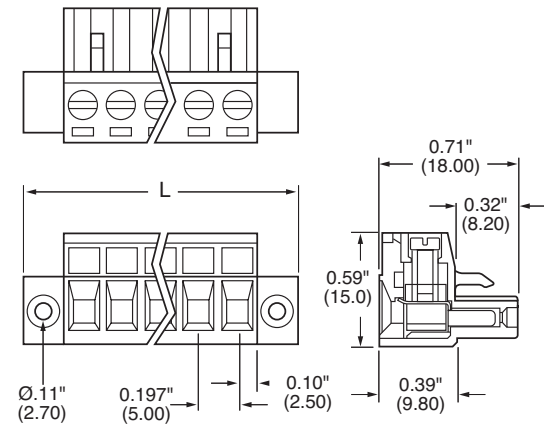
EM21154VL

**Dimensions - mm (in)**

**Vertical**



**Horizontal**



Poles	A (mm)	A (Inch)	Poles	A (mm)	A (Inch)
2	20.0	0.787	13	75.0	2.952
3	25.0	0.984	14	80.0	3.149
4	30.0	1.181	15	85.0	3.346
5	35.0	1.378	16	90.0	3.543
6	40.0	1.575	17	95.0	3.740
7	45.0	1.772	18	100.0	3.937
8	50.0	1.969	19	105.0	4.133
9	55.0	2.165	20	110.0	4.330
10	60.0	2.362	21	115.0	4.527
11	65.0	2.559	22	120.0	4.724
12	70.0	2.756			

### Part Numbering System

Inches (Millimeters)


Series	# of Poles	Orientation	Wire Entry
<b>EM2115</b>	<input type="checkbox"/> <input type="checkbox"/>	<input type="checkbox"/>	<input type="checkbox"/>
	02 to 22	V - Vertical H - Horizontal	L - Left wire entry R - Right wire entry (specify for V orientation)

Mating Header: EM2215 pg. 104

**EM3115 Series  
Euro-Mag Terminal Blocks**

Pluggable Block; Top Entry (Mates with EM2215 Series); 5.00 Centers

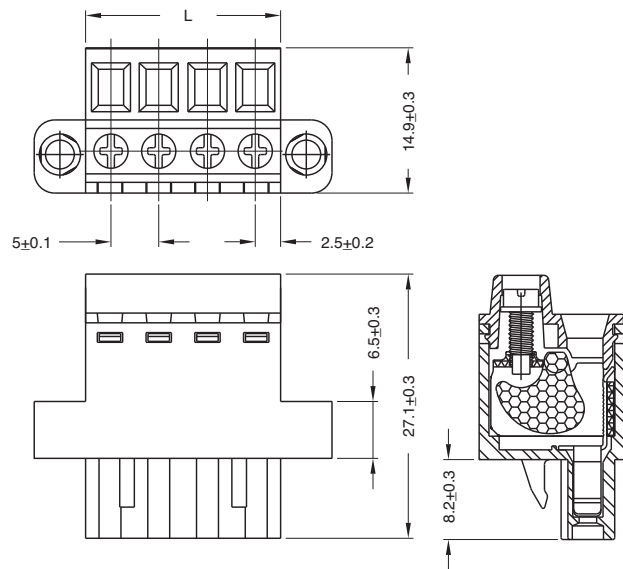
**SPECIFICATIONS**

- Rating:** 16A, 300V
- Center Spacing:** 0.197" (5.00mm)
- Wire Range:** #14-24 AWG
- Housing Material:** UL rated 94V0 Thermoplastic
- Contact Material:** Brass Tin-Plated
- Cage Clamp:** Brass, Nickel-Plated
- Screw Size:** M2.6 Nickel-Plated Steel
- Operating Temperature:** 105°C (221°F) max., -40°C (-40°F) min.
- Torque Rating:** 4.5 lb-in.
- Construction:** Mold-to-Length
- Agency Information:**  US File E62622; CE Certified



EM311503

**Dimensions - mm (in)**



Poles	L (mm)	Poles	L (mm)
2	20.0	14	80.0
3	25.0	15	85.0
4	30.0	16	90.0
5	35.0	17	95.0
6	40.0	18	100.0
7	45.0	19	105.0
8	50.0	20	110.0
9	55.0	21	115.0
10	60.0	22	120.0
11	65.0	23	125.0
12	70.0	24	130.0
13	75.0		

To convert to inches, divide by 25.4

**Part Numbering System**

Series                      # of Poles

**EM3115**                   

                                    02 to 22

Mating Header: EM2215 pg. 104

Terminal Blocks:  
Single & Double Row

EuroMag Series

Terminal Blocks:  
Base & Rail Mount

Power Distribution  
Blocks

Wire Management  
Products

Edge Connectors,  
One-Sided Boards

Compliance  
References

**Series EM2215**

Header with Flanges; (Mates with EM2115, EM3115 Series); 5.00 Centers

**SPECIFICATIONS:**

**Rating:** 16A, 300V

**Center Spacing:** 0.197" (5.00mm)

**Housing Material:** UL rated 94V0 Thermoplastic

**Contact Material:** Tin-Plated Brass

**Operating Temperature:** 105°C (221°F) max., -55°C (-67°F) min.

**Construction:** Mold-to-Length

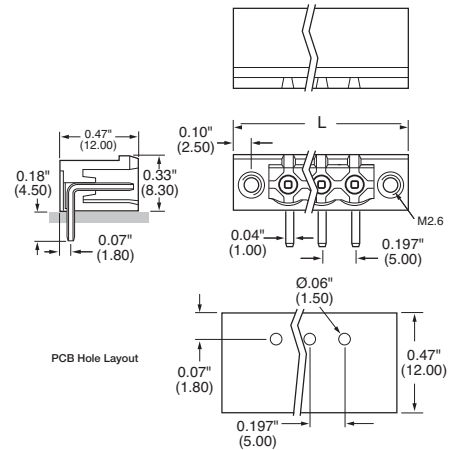
**Agency Information:** File E62622; CE Certified



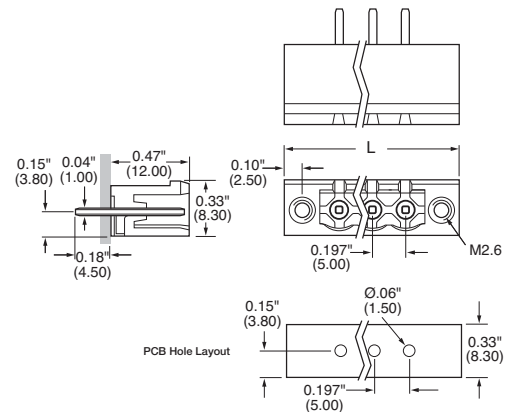
EM221503V

**Dimensions - mm (in)**

**Horizontal**



**Vertical**

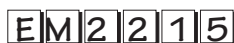


Poles	A (mm)	A (Inch)	Poles	A (mm)	A (Inch)
2	10.0	0.393	13	65.0	2.559
3	15.0	0.590	14	75.0	2.953
4	20.0	0.787	15	80.0	3.150
5	25.0	0.984	16	85.0	3.346
6	30.0	1.181	17	90.0	3.543
7	35.0	1.378	18	95.0	3.740
8	40.0	1.575	19	100.0	3.937
9	45.0	1.772	20	105.0	4.133
10	50.0	1.969	21	110.0	4.331
11	55.0	2.165	22	115.0	4.528
12	60.0	2.362			

**Part Numbering System**

Inches (Millimeters)

Series



# of Poles



02 to 22

Orientation



H - Horizontal  
V - Vertical

**Mating Plugs:** EM2115 pg. 102  
EM3115 pg. 103

**Series EM2118 Series**

Pluggable Terminal Block with Flanges;  
(Mates with EM2218 Series); 5.08 Centers

**SPECIFICATIONS:**

**Rating:** 16A, 300V

**Center Spacing:** 0.20" (5.08mm)

**Wire Range:** #14-24 AWG

**Housing Material:** UL rated 94V0 Thermoplastic

**Contact Material:** Tin-Plated Phosphor Bronze

**Screw Size:** M 3x0 Nickel-Plated Steel

**Operating Temperature:** 105°C (221°F) max., -55°C (-67°F) min.

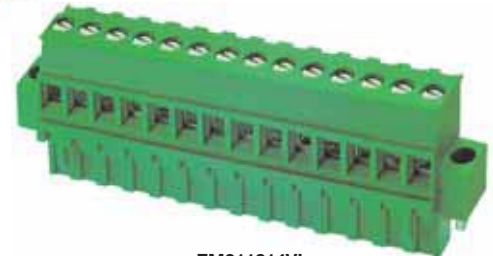
**Torque Rating:** 4.5 lb-in.

**Construction:** Mold-to-Length

**Agency Information:** cULus File E62622; CE Certified

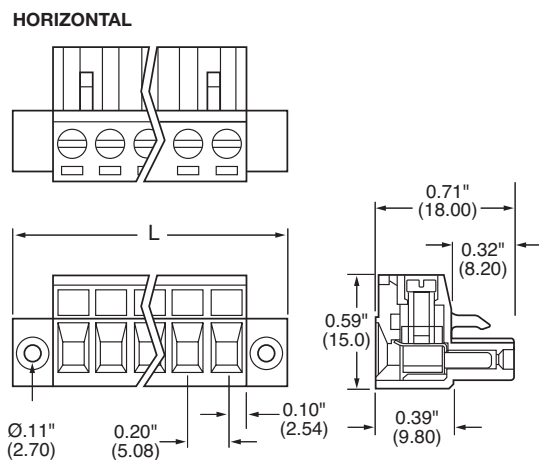
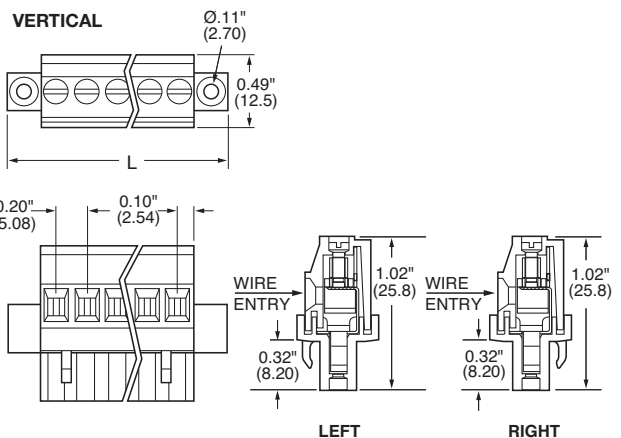


EM211803H



EM211814VL

**Dimensions - mm (in)**

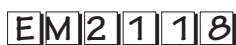


Poles	A (mm)	A (Inch)	Poles	A (mm)	A (Inch)
2	20.32	0.8	13	76.20	3.0
3	25.40	1.0	14	81.28	3.2
4	30.48	1.2	15	86.36	3.4
5	35.56	1.4	16	91.44	3.6
6	40.64	1.6	17	96.52	3.8
7	45.72	1.8	18	101.60	4.0
8	50.80	2.0	19	106.68	4.2
9	55.88	2.2	20	111.76	4.4
10	60.96	2.4	21	116.84	4.6
11	66.04	2.6	22	121.92	4.8
12	71.12	2.8			

**Part Numbering System**

Inches (Millimeters)

Series



# of Positions



02 to 22

Orientation



V - Vertical  
H - Horizontal

Mating Header: EM2218 pg. 107



### EM3118 Series

#### Euro-Mag Terminal Blocks

Pluggable Block, Top Entry (Mates with EM2218 Series); 5.08 Centers

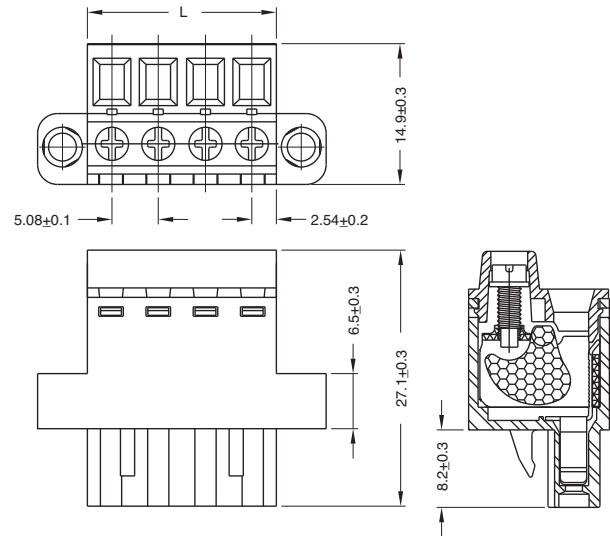
#### SPECIFICATIONS

- Rating:** 16A, 300V
- Center Spacing:** 0.20" (5.08mm)
- Wire Range:** #14-24 AWG
- Housing Material:** UL rated 94V0 Thermoplastic
- Contact Material:** Brass Tin-Plated
- Cage Clamp:** Brass, Nickel-Plated
- Screw Size:** M2.6 Nickel-Plated Steel
- Operating Temperature:** 105°C (221°F) max., -40°C (-40°F) min.
- Torque Rating:** 4.5 lb-in.
- Construction:** Mold-to-Length
- Agency Information:** US File E62622; CE Certified



EM311803

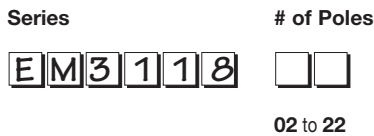
#### Dimensions - mm (in)



Poles	L (mm)	Poles	L (mm)
2	20.32	13	76.20
3	25.40	14	81.28
4	30.48	15	86.36
5	35.45	16	91.44
6	40.64	17	96.52
7	45.72	18	101.60
8	50.80	19	106.68
9	55.88	20	111.76
10	60.96	21	116.84
11	66.04	22	121.92
12	71.12		

To convert to inches, divide by 25.4

### Part Numbering System



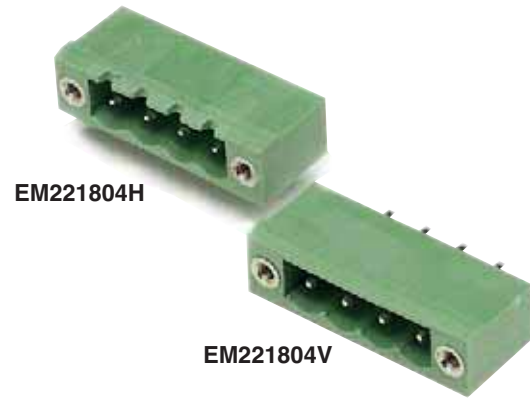
Mating Header: EM2218 pg. 107

**Series EM2218**

Header with Flanges; (Mates with EM2118, EM3118 Series); 5.08 Centers

**SPECIFICATIONS:**

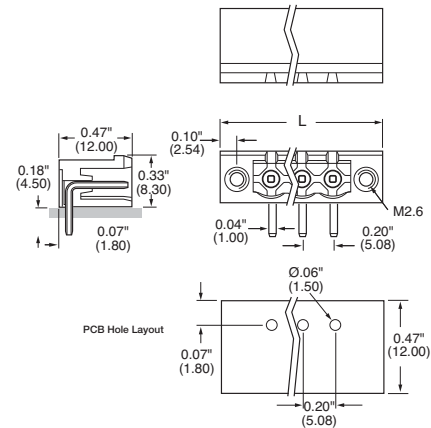
- Rating:** 12A, 300V
- Center Spacing:** 0.20" (5.08mm)
- Housing Material:** UL rated 94V0 Thermoplastic
- Contact Material:** Tin-Plated Brass
- Operating Temperature:** 105°C (221°F) max., -55°C (-67°F) min.
- Recommended PCB Hole Diameters:** 0.059" (1.50mm)
- Construction:** Mold-to-Length
- Agency Information:** cULus File E62622; CE Certified



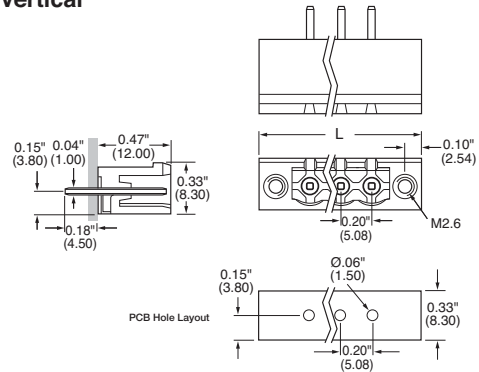
Poles	L (mm)	L (Inch)	Poles	L (mm)	L (Inch)
2	20.32	0.8	12	71.12	2.8
3	25.40	1.0	13	76.20	3.0
4	30.48	1.2	14	81.28	3.2
5	35.56	1.4	15	86.36	3.4
6	40.64	1.6	16	91.44	3.6
7	45.72	1.8	17	96.52	3.8
8	50.80	2.0	18	101.60	4.0
9	55.88	2.2	19	106.68	4.2
10	60.95	2.4	20	111.76	4.4
11	66.04	2.6			

**Dimensions - mm (in)**

**Horizontal**



**Vertical**



**Part Numbering System** Inches (Millimeters)

Series



# of Poles



02 to 22

Orientation



H - Horizontal  
V - Vertical

**Mating Plugs:** EM2118 pg. 105  
EM3118 pg. 106

Terminal Blocks:  
Single & Double Row

EuroMag Series

Terminal Blocks:  
Base & Rail Mount

Power Distribution  
Blocks

Wire Management  
Products

Edge Connectors,  
One-Sided Boards

Compliance  
References

### EM3516 Series

### Euro-Mag Terminal Blocks

Pluggable Block (Mates with EM3526 Series);  
7.62 Centers

#### SPECIFICATIONS

**Rating:** 16A, 300V

**Center Spacing:** 0.30" (7.62mm)

**Wire Range:** #14-24 AWG

**Housing Material:** UL rated 94V0 Thermoplastic

**Contact Material:** Tin-Plated Brass

**Cage Clamp:** Brass, Nickel-Plated

**Screw Size:** M3.0 Zinc-Plated Steel

**Operating Temperature:** 105°C (221°F) max., -40°C (-40°F) min.

**Torque Rating:** 5.0 lb-in.

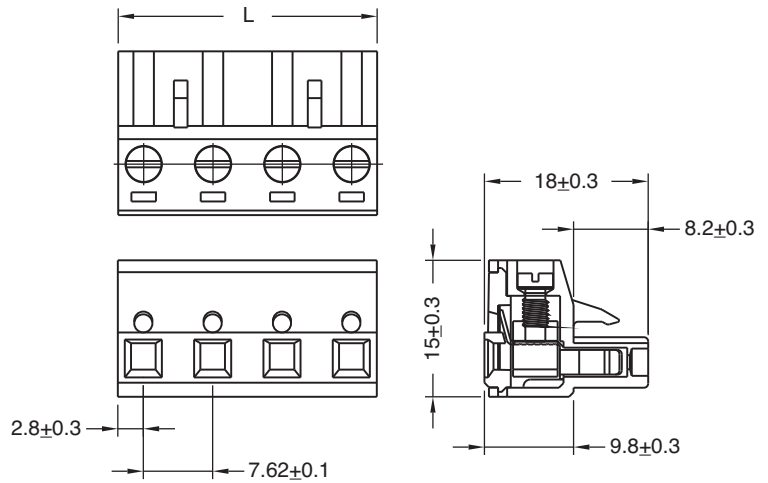
**Construction:** Mold-to-Length

**Agency Information:** File E62622; CE Certified



EM351603

#### Dimensions - mm (in)



Poles	L (mm)
2	8.41
3	12.22
4	16.03
5	19.84
6	23.65
7	27.46
8	31.27
9	35.08
10	38.89
11	42.70
12	46.51

To convert to inches, divide by 25.4

### Part Numbering System

Series

# of Poles

Mating Header: EM3526 pg. 109



02 to 12

Terminal Blocks:  
Single & Double Row

EuroMag Series

Terminal Blocks:  
Base & Rail Mount

Power Distribution  
Blocks

Wire Management  
Products


Edge Connectors,  
One-Sided Boards

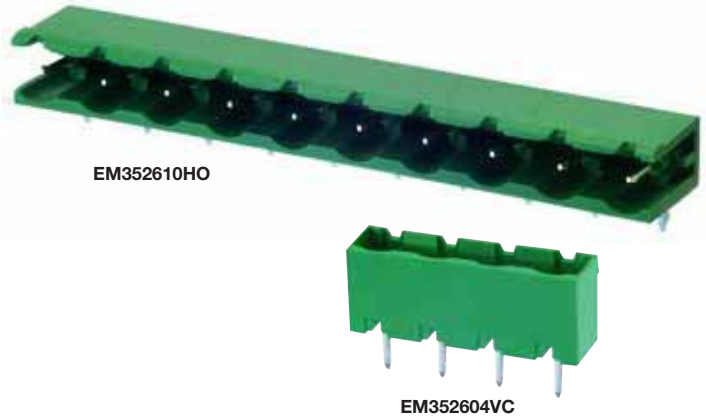
Compliance  
References

**EM3526 Series  
Euro-Mag Terminal Blocks**

Closed and Open Header (Mates with EM3516 Series); 7.62 Centers

**SPECIFICATIONS**

- Rating:** 16A, 300V
- Center Spacing:** 0.30" (7.62mm)
- Housing Material:** UL rated 94V0 Thermoplastic
- Contact Material:** Brass Tin-Plated
- Operating Temperature:** 105°C (221°F) max., -40°C (-40°F) min.
- Recommended PCB Hole Diameters:** 0.055" (1.40mm)
- Construction:** Mold-to-Length
- Agency Information:**  File E62622; CE Certified



Terminal Blocks:  
Single & Double Row

EuroMag Series

Terminal Blocks:  
Base & Rail Mount

Power Distribution  
Blocks

Wire Management  
Products

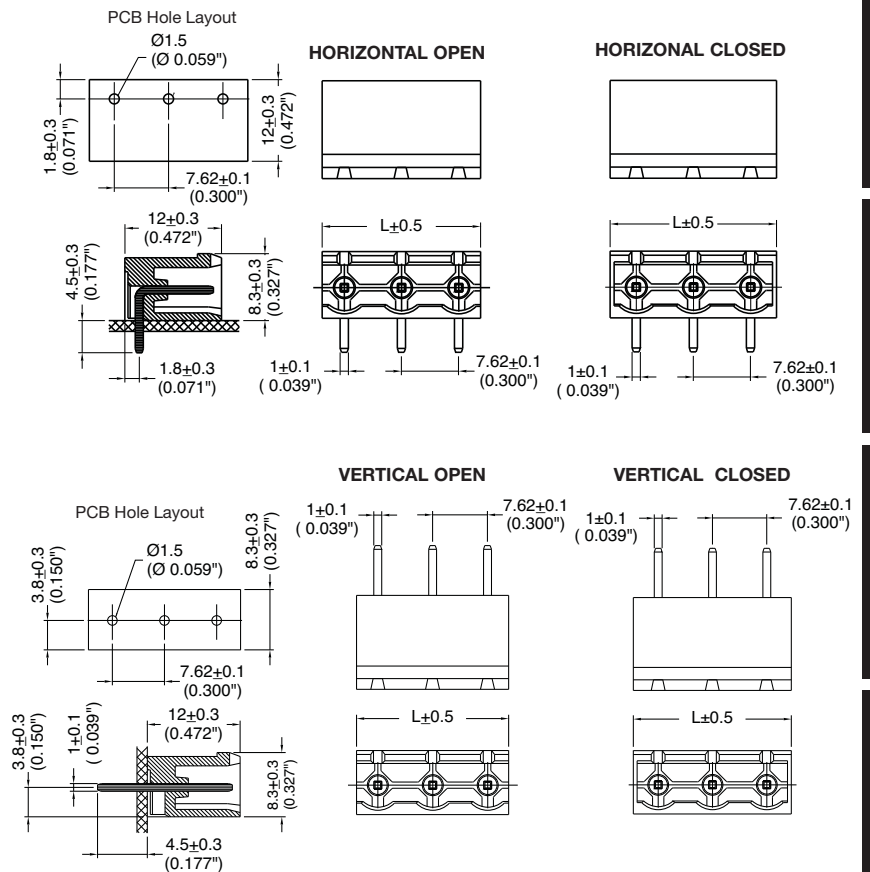
Edge Connectors,  
One-Sided Boards

Compliance  
References

**Dimensions - mm (in)**

Poles	Open L (mm)	Closed L (mm)
2	13.44	15.24
3	21.06	22.86
4	28.68	30.48
5	36.60	38.10
6	43.92	45.72
7	51.54	53.34
8	59.16	60.96
9	66.78	68.58
10	74.40	76.20
11	82.02	83.82
12	89.64	91.44

To convert to inches, divide by 25.4



**Part Numbering System**

Series	# of Poles	Orientation	Side Base	Mating Plug: EM3516 pg. 108
<b>EM3526</b>	<input type="checkbox"/>	<input type="checkbox"/>	<input type="checkbox"/>	
	02 to 24	H - horizontal V - vertical	O - open C - closed	

### EM2416 Series

### Euro-Mag Terminal Blocks

Pluggable Block with Flanges (Mates with EM2426 Series); 7.62 Centers

#### SPECIFICATIONS

**Rating:** 16A, 300V

**Center Spacing:** 0.30" (7.62mm)

**Wire Range:** #14-24 AWG

**Housing Material:** UL rated 94V0 Thermoplastic

**Contact Material:** Tin-Plated Brass

**Cage Clamp:** Brass, Nickel-Plated

**Screw Size:** M3.0 Zinc-Plated Steel

**Operating Temperature:** 105°C (221°F) max., -40°C (-40°F) min.

**Torque Rating:** 5.0 lb-in.

**Construction:** Mold-to-Length

**Agency Information:** US File E62622; CE Certified

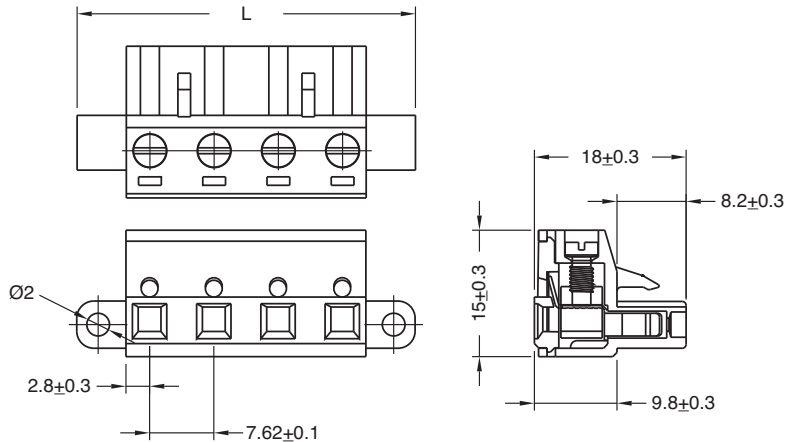


EM241602

#### Dimensions - mm (in)

Poles	L (mm)
2	24.90
3	32.50
4	40.10
5	47.80
6	55.40
7	63.00
8	70.60
9	78.20
10	89.90
11	93.50
12	101.10

To convert to inches, divide by 25.4



### Part Numbering System

Series

# of Poles

Mating Header: EM2426 pg. 111

EM2416

□□

02 to 12

**EM2426 Series**  
**Euro-Mag Terminal Blocks**

Header with Flanges (Mates with EM2416 Series); 7.62 Centers

**SPECIFICATIONS**

Rating: 16A, 300V

Center Spacing: 0.30" (7.62mm)

Housing Material: UL rated 94V0 Thermoplastic

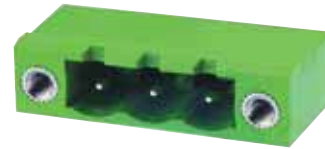
Contact Material: Tin-Plated Brass

Operating Temperature: 105°C (221°F) max., -40°C (-40°F) min.

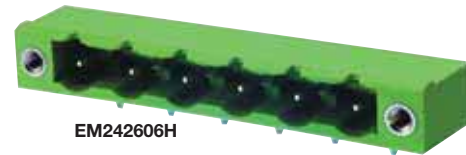
Recommended PCB Hole Diameters: 0.059" (1.50mm)

Construction: Mold-to-Length

Agency Information:  US File E62622; CE Certified



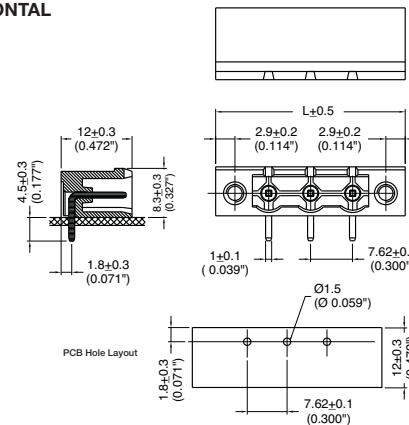
EM242603V



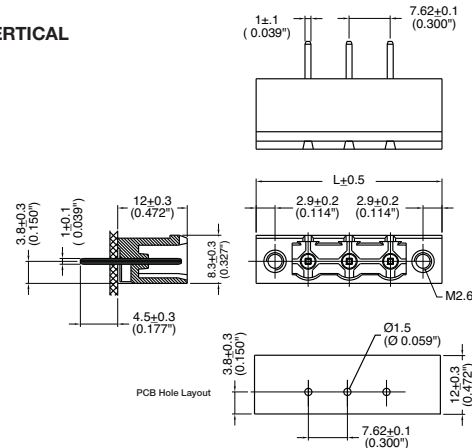
EM242606H

**Dimensions - mm (in)**

**HORIZONTAL**



**VERTICAL**



Poles	L (mm)	Poles	L (mm)
2	25.62	8	71.34
3	33.24	9	78.96
4	40.86	10	86.58
5	48.48	11	94.20
6	56.10	12	101.80
7	63.72		

To convert to inches, divide by 25.4

**Part Numbering System**

Series



# of Poles



02 to 12

Orientation



H - horizontal  
V - vertical

Mating Plug: EM2416 pg. 110

**EM5015 Series**

**Euro-Mag Terminal Blocks**

Pluggable Block

(Mates with EM5025 Series); 5.00 Centers

**SPECIFICATIONS**

**Rating:** 15A, 300V

**Center Spacing:** 0.197" (5.00mm)

**Wire Range:** #16-24 AWG

**Housing Material:** Blue UL 94V0 Thermoplastic

**Contact Material:** Tin-Plated Brass

**Screw Size:** M2x6 Chromatized Steel

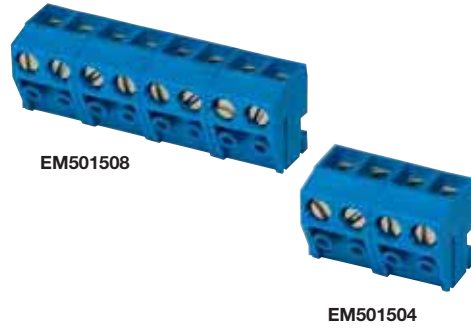
**Operating Temperature:** 120°C (221°F) max., -40°C (-40°F) min.

**Torque Rating:** 3.0 lb-in.

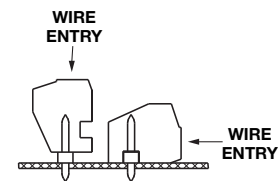
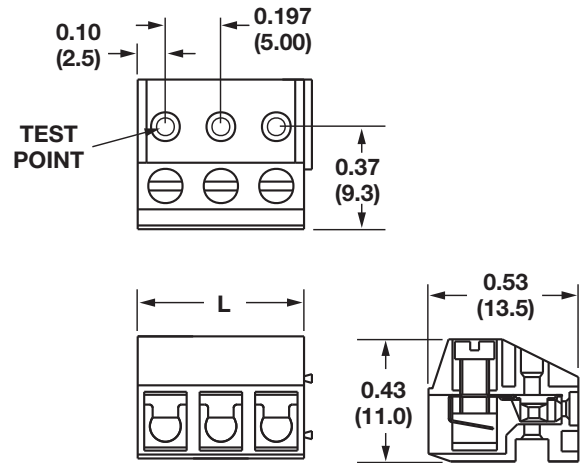
**Construction:** Modular design features dovetails for interlocking to achieve longer lengths

**Connector Style:** Spring Clamp

**Agency Information:** File E62622; CE Certified



**Dimensions - mm (in)**



**Mating orientations**

Poles	L (mm)	Poles	L (mm)
2*	10.0	14	70.0
3*	15.0	15	75.0
4	20.0	16	80.0
5	25.0	17	85.0
6	30.0	18	90.0
7	35.0	19	95.0
8	40.0	20	100.0
9	45.0	21	105.0
10	50.0	22	110.0
11	55.0	23	115.0
12	60.0	24	120.0
13	65.0		

To convert to inches, divide by 25.4  
\*Mold-to-Length

**Part Numbering System**

Series

# of Poles

Mating Header: EM5025 pg. 113



02 to 24



**EM5025 Series  
Euro-Mag Terminal Blocks**

Header (Mates with EM5015 Series);  
5.00 Centers



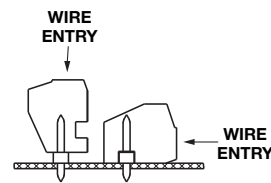
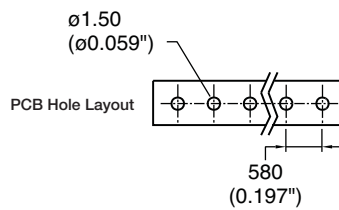
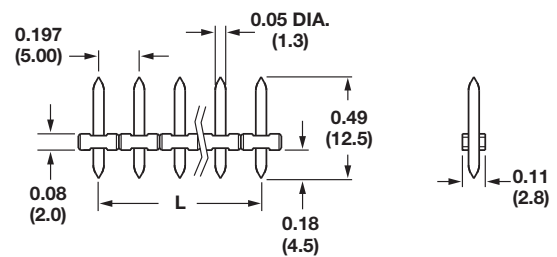
**SPECIFICATIONS**

- Rating:** 15A, 300V
- Center Spacing:** 0.197" (5.00mm)
- Housing Material:** Black UL 94V0 Thermoplastic
- Contact Material:** Tin-Plated Brass
- Operating Temperature:** 120°C (221°F) max., -40°C (-40°F) min.
- Recommended PCB Hole Diameters:** 0.059" (1.50mm)
- Construction:** Mold-to-Length
- Agency Information:** File E62622; CE Certified

Poles	L (mm)	Poles	L (mm)
2	10.0	14	70.0
3	15.0	15	75.0
4	20.0	16	80.0
5	25.0	17	85.0
6	30.0	18	90.0
7	35.0	19	95.0
8	40.0	20	100.0
9	45.0	21	105.0
10	50.0	22	110.0
11	55.0	23	115.0
12	60.0	24	120.0
13	65.0		

To convert to inches, divide by 25.4

**Dimensions - mm (in)**



**Mating orientations**

**Part Numbering System**

Series

# of Poles

Mating Plug: EM5015 pg. 112



02 to 24

Terminal Blocks:  
Single & Double Row

EuroMag Series

Terminal Blocks:  
Base & Rail Mount

Power Distribution  
Blocks

Wire Management  
Products

Edge Connectors,  
One-Sided Boards

Compliance  
References

### EM5035 Series

#### Euro-Mag Terminal Blocks

Pluggable Block, Stackable  
(Mates with EM5045 Series) 5.00 Centers

#### SPECIFICATIONS

- Rating:** 10A, 300V
- Center Spacing:** 0.197" (5.00mm)
- Wire Range:** #16-24 AWG
- Housing Material:** Black UL 94V0 Thermoplastic
- Contact Material:** Tin-Plated Brass
- Wire Protector:** Phosphor Bronze, Tin-Plated
- Screw Size:** M2.6 Chromatized Steel
- Operating Temperature:** 105°C (221°F) max., -40°C (-40°F) min.
- Torque Rating:** 3.0 lb-in.
- Construction:** Modular design features doveails for interlocking to achieve longer lengths
- Agency Information:** US File E62622; CE Certified

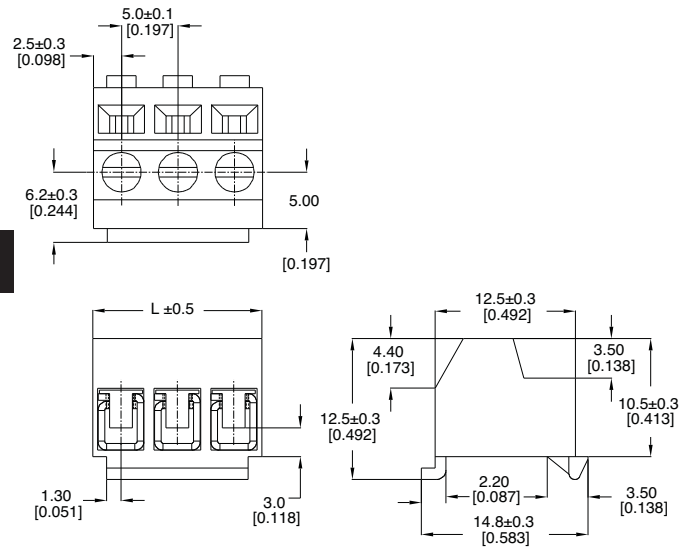


EM503503

EM503502

Shown with EM5045series header - order separately

#### Dimensions - mm (in)



Poles	L (mm)	Poles	L (mm)
2	10.0	14	70.0
3	15.0	15	75.0
4	20.0	16	80.0
5	25.0	17	85.0
6	30.0	18	90.0
7	35.0	19	95.0
8	40.0	20	100.0
9	45.0	21	105.0
10	50.0	22	110.0
11	55.0	23	115.0
12	60.0	24	120.0
13	65.0		

To convert to inches, divide by 25.4

### Part Numbering System

Series                      # of Poles

**EM5035**     

   02 to 24

Mating Plug: EM5045 pg. 115

**EM5045 Series**  
**Euro-Mag Terminal Blocks**

Header (Mates with EM5035 Series);  
5.00 Centers

**SPECIFICATIONS**

**Rating:** 10A, 300V

**Center Spacing:** 0.197" (5.00mm)

**Housing Material:** Black UL 94V0 Thermoplastic

**Contact Material:** Tin-Plated Brass

**Operating Temperature:** 105°C (221°F) max., -40°C (-40°F) min.

**Recommended PCB Hole Diameters:** 0.059" (1.50mm)

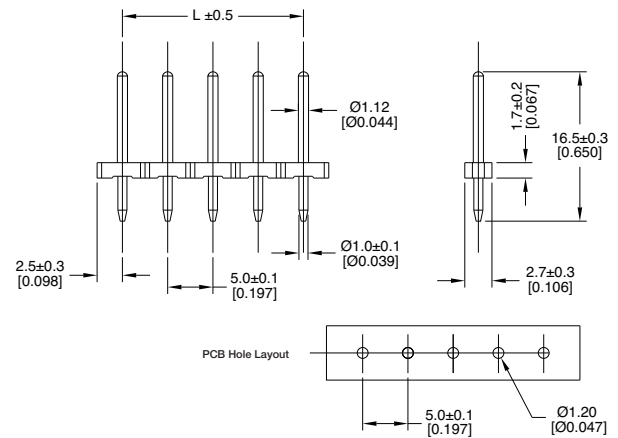
**Construction:** Mold-to-Length

**Agency Information:**  File E62622; CE Certified



EM504513

**Dimensions - mm (in)**



Poles	L (mm)	Poles	L (mm)
2	5.0	14	65.0
3	10.0	15	70.0
4	15.0	16	75.0
5	20.0	17	80.0
6	25.0	18	85.0
7	30.0	19	90.0
8	35.0	20	95.0
9	40.0	21	100.0
10	45.0	22	105.0
11	50.0	23	110.0
12	55.0	24	115.0
13	60.0		

To convert to inches, divide by 25.4

**Part Numbering System**



Terminal Blocks:  
Single & Double Row

EuroMag Series

Terminal Blocks:  
Base & Rail Mount

Power Distribution  
Blocks

Wire Management  
Products

Edge Connectors,  
One-Sided Boards

Compliance  
References

### Series NDN Rail Mount Terminal Blocks

35mm DIN Rail Compatible

**SPECIFICATIONS**

**High Density Design:** Up to 48 circuits per foot

**Clamping Collar:** Secures wires

**Large, Captive, Wire-Ready Screws:** Speeds assembly

**Snap-on Installation to DIN Rail:** Fast, easy assembly

**Fully Shielded Construction:** 600V spacings

**Unique One-Piece Construction:** Increases reliability

**Thermoplastic Moldings:** Strong and impact resistant

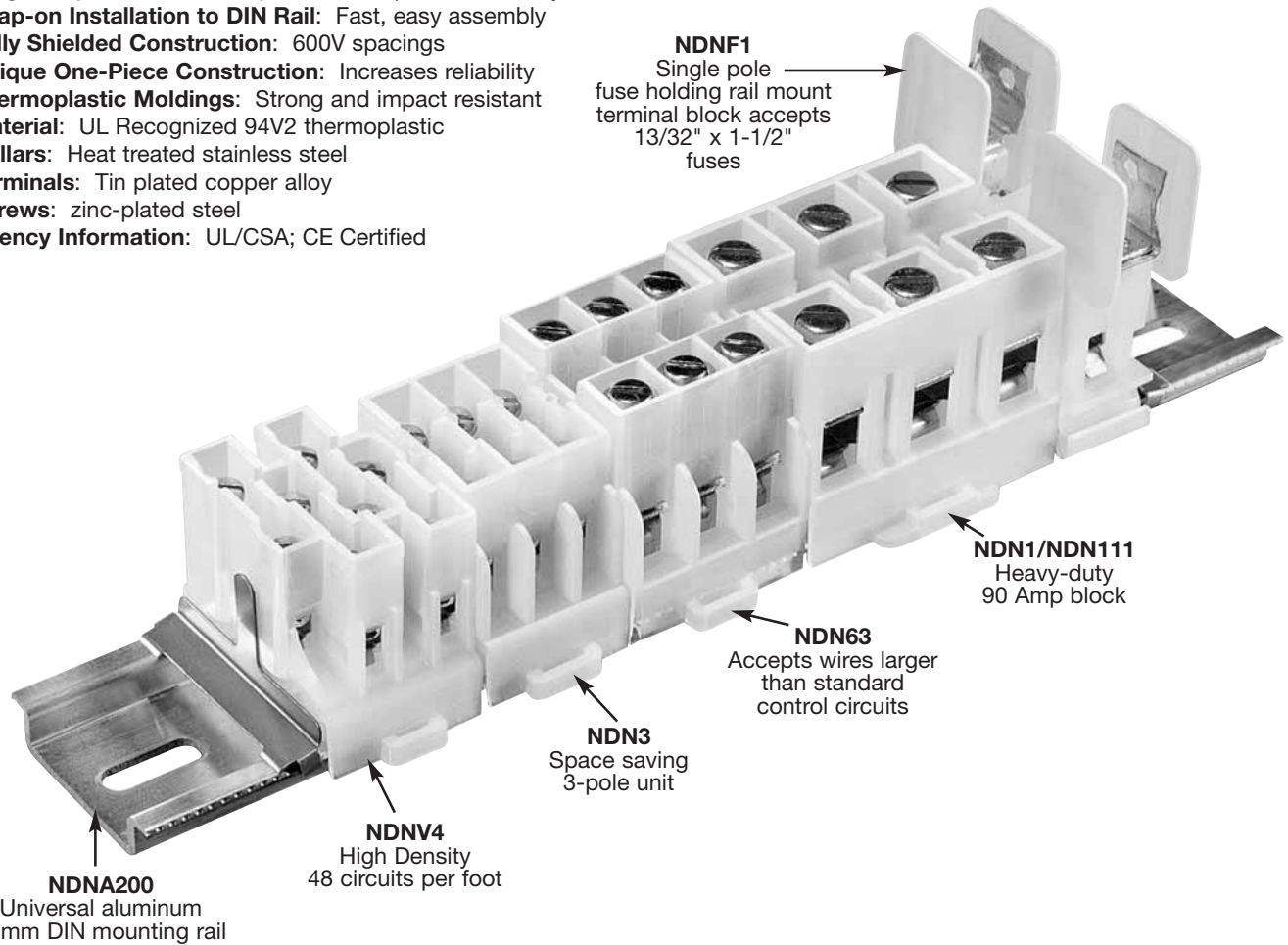
**Material:** UL Recognized 94V2 thermoplastic

**Collars:** Heat treated stainless steel

**Terminals:** Tin plated copper alloy

**Screws:** zinc-plated steel

**Agency Information:** UL/CSA; CE Certified



**NDNF1**  
Single pole  
fuse holding rail mount  
terminal block accepts  
13/32" x 1-1/2"  
fuses

**NDN1/NDN111**  
Heavy-duty  
90 Amp block

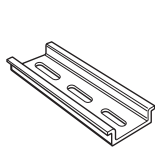
**NDN63**  
Accepts wires larger  
than standard  
control circuits

**NDN3**  
Space saving  
3-pole unit

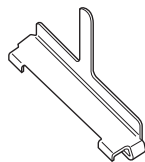
**NDNV4**  
High Density  
48 circuits per foot

**NDNA200**  
Universal aluminum  
35mm DIN mounting rail

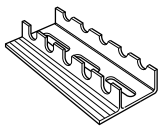
### Series NDN Terminal Block Accessories



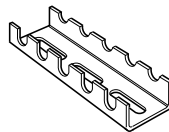
**NDNA**  
35mm DIN Rail  
Aluminum  
**NDNA 100** 1 meter  
**NDNA 200** 2 meters



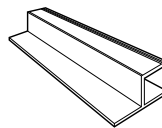
**NDNAS**  
35mm DIN Rail  
End Stop



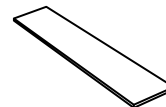
**NFTA**  
C-Rail  
Aluminum  
Lengths to 72"



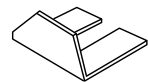
**NRA**  
C-Rail  
Low Profile  
No Flange  
Aluminum  
Lengths to 37-1/2"



**SOA72**  
72" Long  
Stand-Off Channel  
For C-Rail



**MARKING TAPE**  
See Series  
Specifications



**JUMPERS**  
See Series  
Specifications

Terminal Blocks:  
Single & Double Row

EuroMlag Series

Terminal Blocks:  
Base & Rail Mount

Power Distribution  
Blocks

Wire Management  
Products

Edge Connectors,  
One-Sided Boards

Compliance  
References

**Rail Mount Terminal Blocks**

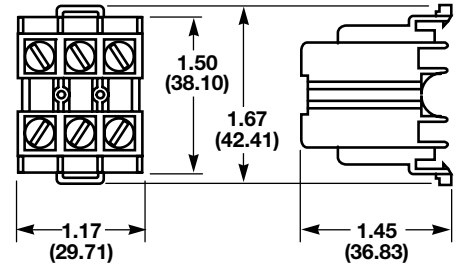
**NDN63**

**SPECIFICATIONS:**

- Rating: 65A, 600V
- Center Spacing: 0.375" (9.52mm)
- Number of Poles: 3
- Circuits Per Foot: 30
- Circuit Jumper: JN3, 2 circuits
- Wire Range: AWG #6-18 CU
- Screw Size: #10-32
- Mounting Options: 35mm DIN rail, C-rail
- Marking Tape: MT12-1-2
- Torque Rating: 35 lb-in
- Operating Temperature: 105°C
- Agency Information: UL File E62622, CSA File 15364



Dimensions - in (mm)



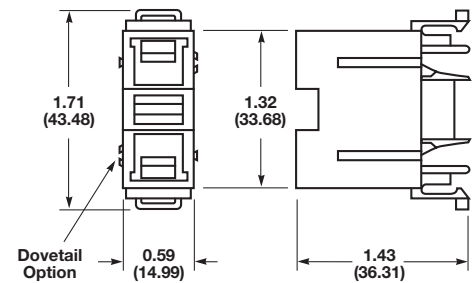
**NDN1**

**SPECIFICATIONS:**

- Rating: 90A, 600V
- Center Spacing: 0.635" (16.13mm)
- Number of Poles: 1
- Circuits Per Foot: 18
- Wire Range: AWG #2-18 CU
- Screw Size: #1/4-28
- Mounting Options: 35mm DIN rail, C-rail
- \* Dove-tail option is available for mounting side-by-side.
- Order part no. NDN1A-WH
- Marking Tape: MT12-1-2
- Torque Rating: 32 lb-in
- Operating Temperature: 105°C
- Agency Information: UL File E62622, CSA File 47235



Dimensions - in (mm)



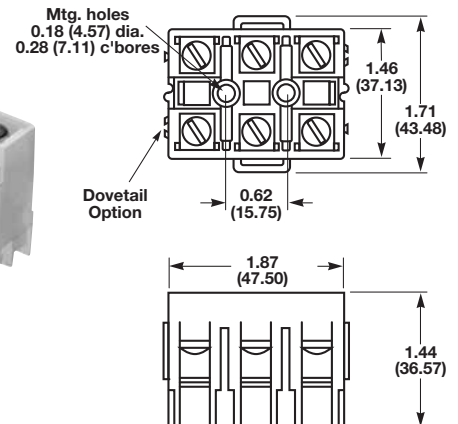
**NDN111**

**SPECIFICATIONS:**

- Rating: 90A, 600V
- Center Spacing: 0.635" (16.13mm)
- Number of Poles: 3
- Circuits Per Foot: 18
- Circuit Jumper: JN1, 2 circuits
- Wire Range: AWG #2-18 CU
- Screw Size: #1/4-28
- Mounting Options: 35mm DIN rail, C-rail, Base Mount
- \* Dove-tail option is available for mounting side-by-side.
- Order part no. NDN111-A
- Marking Tape: MT12-1-2
- Torque Rating: 32 lb-in
- Operating Temperature: 105°C
- Agency Information: UL File E62622, CSA File 47235



Dimensions - in (mm)



**Rail Mount Terminal Blocks**

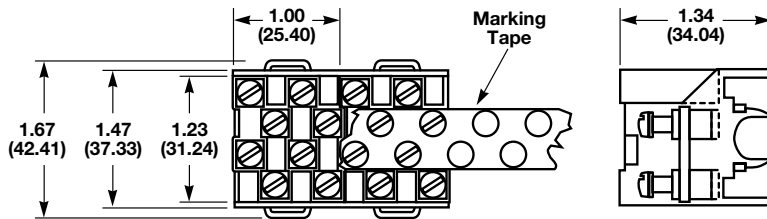
**NDNV4**

**SPECIFICATIONS:**

- Rating:** NDNV4 30A, 600V
- Center Spacing:** 0.25" (6.35mm)
- Number of Poles:** 4
- Circuits Per Foot:** 48
- Circuit Jumper:** JN4, 4 circuits
- Wire Range:** AWG #10-22 CU
- Screw Size:** #6-32
- Mounting Options:** 35mm DIN rail, C-rail
- Marking Tape:** MTC6
- Torque Rating:** 18 lb-in
- Operating Temperature:** 105°C
- Agency Information:** UL File E62622, CSA File 15364



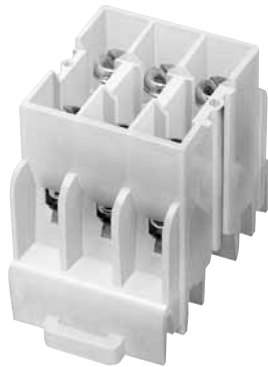
Dimensions - in (mm)



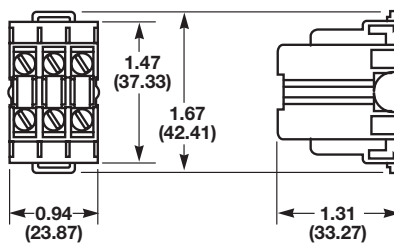
**NDN3**

**SPECIFICATIONS:**

- Rating:** 30A - field wiring; 40A - factory wiring  
600V
- Center Spacing:** 0.300" (7.62mm)
- Number of Poles:** 3
- Circuits Per Foot:** 38
- Circuit Jumper:** JNDN3, 2 circuits
- Wire Range:** AWG #10-22 CU
- Screw Size:** #6-32
- Mounting Options:** 35mm DIN rail, C-rail
- Marking Tape:** MT12-1-2
- Torque Rating:** 18 lb-in
- Operating Temperature:** 105°C
- Agency Information:** UL File E62622, CSA File 15364



Dimensions - in (mm)



Terminal Blocks:  
Single & Double Row

EuroMag Series

Terminal Blocks:  
Base & Rail Mount

Power Distribution  
Blocks

Wire Management  
Products

Edge Connectors,  
One-Sided Boards

Compliance  
References

**Rail Mount Terminal Blocks**

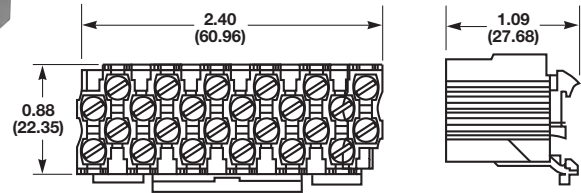
**N512**

**SPECIFICATIONS:**

- Rating:** 5A, 600V; 20A, 300V
- Center Spacing:** 0.197" (5.00mm)
- Number of Poles:** 12
- Circuits Per Foot:** 60
- Circuit Jumper:** JN512, 12 circuits
- Wire Range:** AWG #12-22 CU
- Screw Size:** #4-48
- Mounting Options:** C-rail, 15mm DIN rail
- Marking Tape:** AT512
- Torque Rating:** 12 lb-in
- Operating Temperature:** 105°C
- Agency Information:** CSA File 15364



**Dimensions - in (mm)**



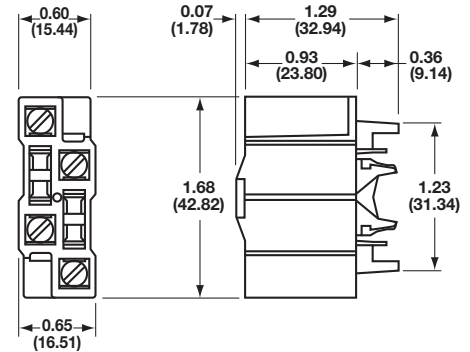
**NFT2**

**SPECIFICATIONS:**

- Rating:** 40A, 600V;  
55A Factory Wired
- Center Spacing:** 0.281" (7.13mm)
- Number of Poles:** 2
- Circuits Per Foot:** 38
- Circuit Jumper:** JN2, 2 circuits
- Wire Range:** AWG #8-22 CU
- Screw Size:** #8-32
- Mounting Options:** C-rail
- Marking Tape:** MT12-1-2
- Torque Rating:** 18 lb-in
- Operating Temperature:** 105°C
- Agency Information:** UL File E62622, CSA File 15364



**Dimensions - in (mm)**



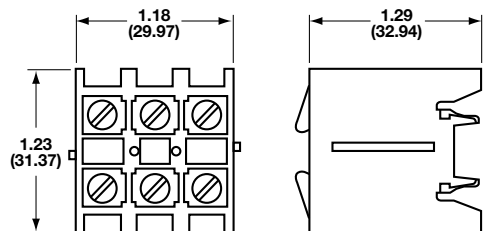
**NFT3**

**SPECIFICATIONS:**

- Rating:** 40A, 600V;  
55A Factory Wired
- Center Spacing:** 0.390" (9.91 mm)
- Number of Poles:** 3
- Circuits Per Foot:** 28
- Circuit Jumper:** JN3, 2 circuits
- Wire Range:** AWG #8-22 CU
- Screw Size:** #8-32
- Mounting Options:** C-rail
- Marking Tape:** MT12-1-2
- Torque Rating:** 18 lb-in
- Operating Temperature:** 105°C
- Agency Information:** UL File E62622, CSA File 47235



**Dimensions - in (mm)**





Terminal Blocks:  
Single & Double Row

EuroMag Series

Terminal Blocks:  
Base & Rail Mount

Power Distribution  
Blocks

Wire Management  
Products

Edge Connectors,  
One-Sided Boards

Compliance  
References

## Rail & Base Mount Terminal Blocks

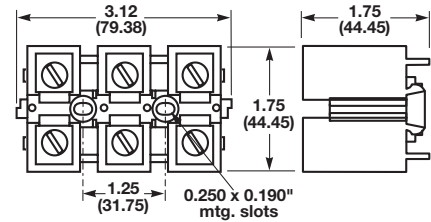
### NC3

**SPECIFICATIONS:**

- Rating: 175A, 600V
- Center Spacing: 1.06" (26.92mm)
- Number of Poles: 3
- Circuits Per Foot: 11
- Wire Range: 2/0-#14 CU/AL
- Screw Size: 5/16-24
- Mounting Options: C-rail, Base Mount
- Marking Tape: MT12-1-2
- Torque Rating: 45 lb-in
- Operating Temperature: 105°C
- Agency Information: UL File E62622, CSA File 15364



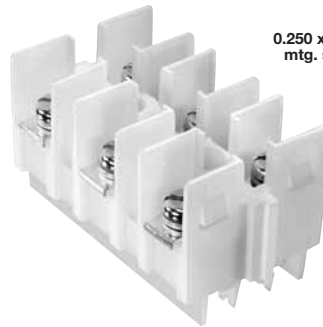
Dimensions - in (mm)



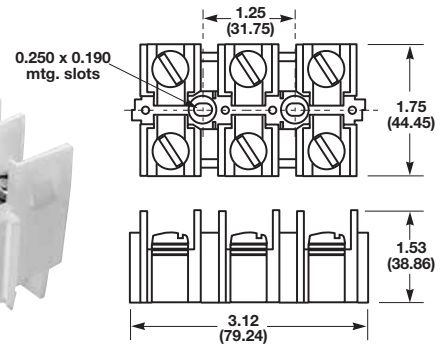
### NSE3

**SPECIFICATIONS:**

- Rating: 115A, 600V
- Center Spacing: 1.06" (26.92mm)
- Number of Poles: 3
- Circuits Per Foot: 11
- Circuit Jumper: JNSE3, 2 circuits
- Wire Range: For use with wire crimped to ring terminal
- Screw Size: #1/4-28
- Mounting Options: C-rail, Base Mount
- Marking Tape: MT12-1-2
- Torque Rating: 32 lb-in
- Operating Temperature: 105°C
- Agency Information: UL File E62622, CSA File 15364



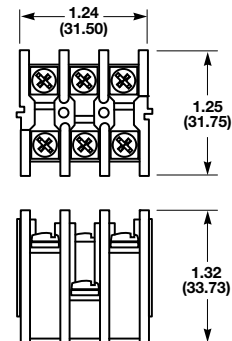
Dimensions - in (mm)



### NSS3

**SPECIFICATIONS:**

- Rating: 30A, 600V
- Center Spacing: 0.385" (9.77mm)
- Number of Poles: 3
- Circuits Per Foot: 28
- Circuit Jumper: JNSS3, 2 circuits
- Wire Range: For use with wire crimped to ring terminal
- Screw Size: #6-32
- Mounting Options: C-rail
- Marking Tape: MT12-1-2
- Torque Rating: 12 lb-in
- Operating Temperature: 105°C
- Agency Information: UL File E62622, CSA File 15364



## Deployable Rail Mount Terminal Blocks

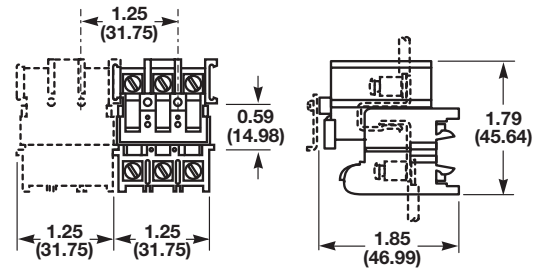
### PLU3

**SPECIFICATIONS:**

- Rating:** 40A, 600V
- Center Spacing:** 0.390" (9.91mm)
- Number of Poles:** 3
- Circuits Per Foot:** 28
- Circuit Jumper:** JN3, 2 circuits
- Wire Range:** AWG #8-22 CU
- Screw Size:** #8-32
- Mounting Options:** C-rail, Stackable
- Marking Tape:** MT12-1-2
- Torque Rating:** 18 lb-in
- Operating Temperature:** 105°C
- Agency Information:** UL File E62622, CSA File 15364



Dimensions - in (mm)



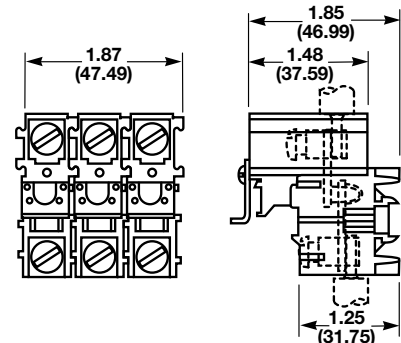
### PLU1 Series

**SPECIFICATIONS:**

- Rating:** 70A, 600V
- Center Spacing:** 0.625" (15.88mm)
- Number of Poles:** 1-3
- Part Numbers:**
  - PLU1 (1-pole)
  - PLU11 (2-pole)
  - PLU111 (3-pole)
- Circuits Per Foot:** 19
- Circuit Jumper:** JN1, 2 circuits
- Wire Range:** AWG #4-18 CU
- Screw Size:** #1/4-28
- Mounting Options:** C-rail, Stackable
- Marking Tape:** MT12-1-2
- Torque Rating:** 32 lb-in
- Operating Temperature:** 105°C
- Agency Information:** UL File E62622, CSA File 15364



Dimensions - in (mm)



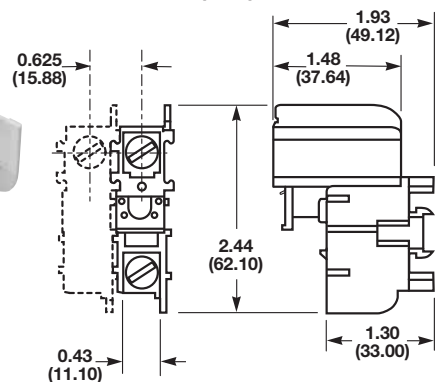
### PSU1 Series

**SPECIFICATIONS:**

- Rating:** 45A\*, 600V
- \*45A rating achieved with ring terminal crimped to wire.**
- Center Spacing:** 0.625" (15.88 mm)
- Number of Poles:** 1-3
- Part Number:**
  - PSU1 (1-pole)
  - PSU11 (2-pole)
  - PSU111 (3-pole)
- Circuits Per Foot:** 19
- Wire Range:** For use with crimp on connectors only.
- Screw Size:** #10-32
- Mounting Options:** C-rail, Stackable
- Marking Tape:** MT12-1-2
- Torque Rating:** 24 lb-in
- Operating Temperature:** 105°C
- Agency Information:** UL File E62622, CSA File 15364



Dimensions - in (mm)



Terminal Blocks:  
Single & Double Row

EuroMag Series

Terminal Blocks:  
Base & Rail Mount

Power Distribution  
Blocks

Wire Management  
Products

Edge Connectors,  
One-Sided Boards

Compliance  
References

**Fuse Holding Rail Mount Terminal Blocks**

**NDNF1**

**SPECIFICATIONS:**

**Rating:** 30A, 600V; UL/CSA

**Number Of Poles:** 1

**Fuse Size:** 13/32" x 1-1/2"

**Circuit Jumper:** JF1, 2 Circuits

**Wire Range:** AWG #8-22 CU

**Mounting Options:** 35mm DIN rail, C-rail

**Fuse Pullers:** • PF1 (standard)  
• neon or incandescent bulb

\*LPF1 (lighted neon or incandescent bulb).

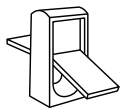
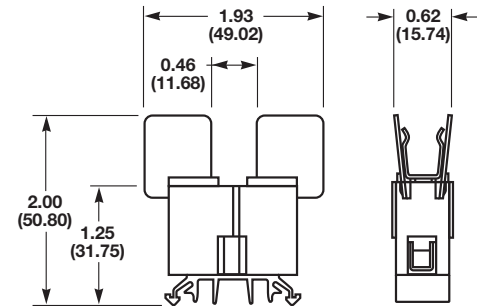
**Torque Rating:** 18 lb-in

**Operating Temperature:** 105°C

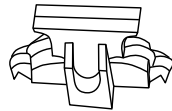
**Agency Information:** CSA File 15364



Dimensions - in (mm)



PF1  
Fuse Puller



LPF1  
Lighted Fuse Puller

\*Visual indicator for open fuse is neon or incandescent bulb, depending on voltage. Specify voltage required.

**NDND1 non-fused terminal block enables isolation of individual circuits for testing**

**NDNFD1 fused terminal block**

**NDNLFD1 fused terminal block with visual indicator\* for open fuse**

**SPECIFICATIONS:**

**Ratings:** NDND1: 30A, 600V

NDNFD1: 15A, 600V

NDNLFD1: 15A, 600V

**Number of Poles:** 1

**Fuse size:** 1/4" x 1-1/4"

**Circuit Jumper:** JF1, 2 circuits

**Wire Range:** AWG #8-22 CU

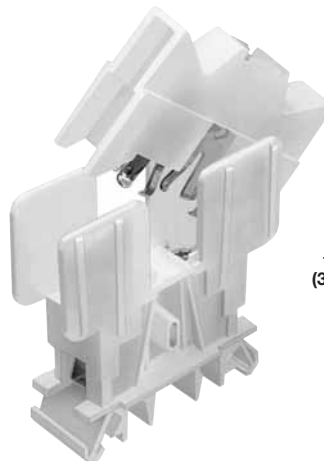
**Mounting Options:** 35mm DIN rail, C-rail

**Marking Tape:** MT12-1-2

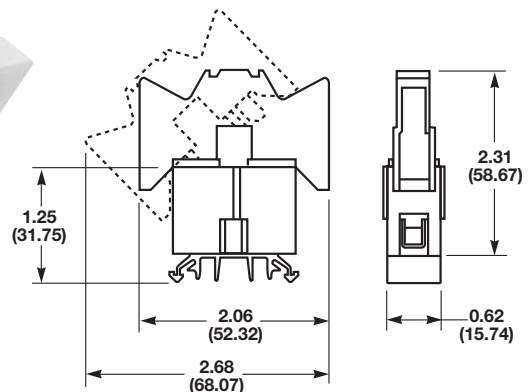
**Torque Rating:** 18 lb-in

**Operating Temperature:** 105°C

**Agency Information:** CSA File 15364



Dimensions - in (mm)



\*Visual indicator for open fuse is neon or incandescent bulb, depending on voltage. Specify voltage required.

Terminal Blocks:  
Single & Double Row

EuroMag Series

Terminal Blocks:  
Base & Rail Mount

Power Distribution  
Blocks

Wire Management  
Products

Edge Connectors,  
One-Sided Boards

Compliance  
References

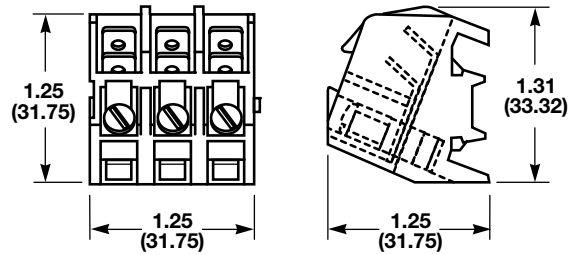
**Quick Connect Terminal Blocks**

**NTQ23**

- SPECIFICATIONS:**  
 Rating: 40A, 600V  
 Center Spacing: 0.390" (9.91mm)  
 Number of Poles: 3  
 Circuits Per Foot: 28  
 Wire Range: AWG #8-22 CU  
 Screw Size: #8-32  
 Quick Connects: 0.250" x 0.031"  
 Mounting Options: C-rail  
 Marking Tape: MT12-1-2  
 Torque Rating: 18 lb-in  
 Operating Temperature: 105°C

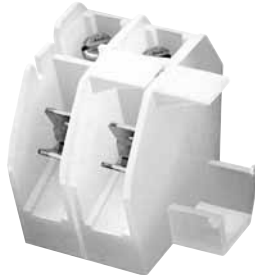


Dimensions - in (mm)



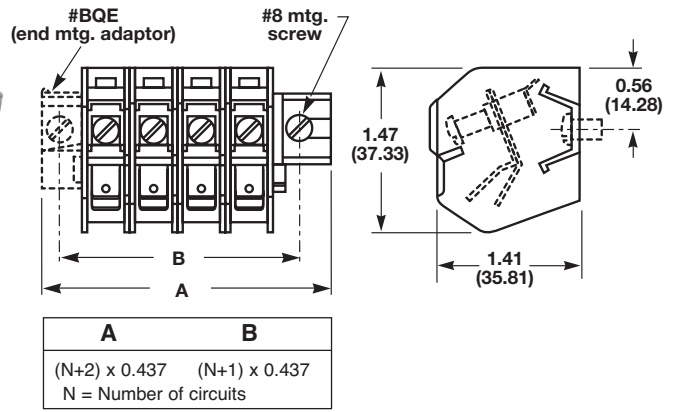
**BNQ21**

- SPECIFICATIONS:**  
 Rating: 40A, 600V  
 Center Spacing: 0.437" (11.10mm)  
 Number of Poles: 1  
 Circuits Per Foot: 24  
 Wire Range: AWG #8-22 CU  
 Screw Size: #8-32  
 Quick Connects: 0.250" x 0.031"  
 Mounting Options: Base Mount Stackable; End Piece (Part No. BQE) is required for mounting. Mounting screws recommended every 8 circuits.  
 Torque Rating: 18 lb-in  
 Operating Temperature: 105°C  
 Screw Size: #8-32  
 Agency Information: UL File E62622, CSA File 15364



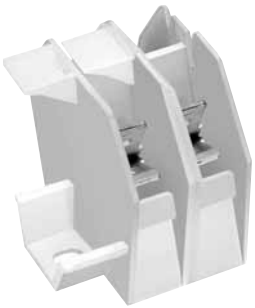
BQE  
End Mounting  
Adapter Required

Dimensions - in (mm)



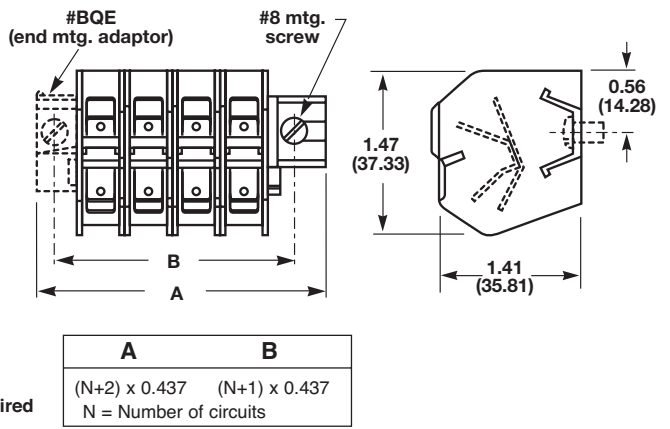
**BQQ41**

- SPECIFICATIONS:**  
 Rating: 30A, 600V  
 Center Spacing: 0.437" (11.10mm)  
 Number of Poles: 1  
 Circuits Per Foot: 24  
 Wire Range: For use with quick connect terminals only.  
 Quick Connects: 0.250" x 0.031"  
 Mounting Options: Base Mount, Stackable; End Piece (Part No. BQE) is required for mounting. Mounting screws recommended every 8 circuits.  
 Operating Temperature: 105°C  
 Agency Information: UL File E62622, CSA File 15364



BQE  
End Mounting  
Adapter Required

Dimensions - in (mm)



Base Mount Terminal Blocks

**KT3**

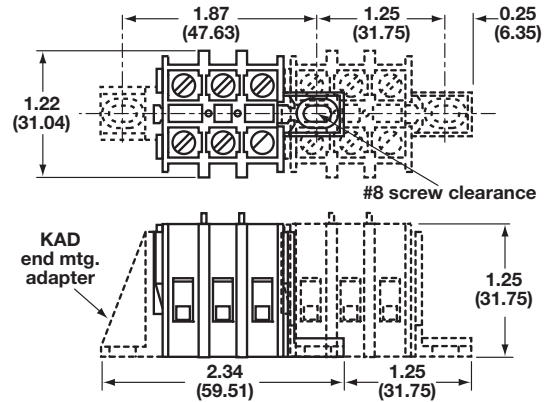
**SPECIFICATIONS:**

**Rating:** 40A, 600V  
**Center Spacing:** 0.390" (9.91mm)  
**Number of Poles:** 3  
**Circuits Per Foot:** 28  
**Circuit Jumper:** JN3, 2 circuits  
**Wire Range:** AWG #8-22 CU  
**Screw Size:** #8-32  
**Mounting Options:** Base Mount, Stackable  
**Marking Tape:** MT12-1-2  
**Torque Rating:** 18 lb-in  
**Operating Temperature:** 105°C  
**Agency Information:** UL File E62622, CSA File 15364



**KAD**  
 End Mount Adapter Required  
 KT3-A01 includes KAD

**Dimensions - in (mm)**



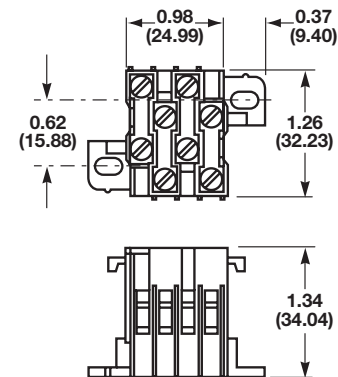
**KT4**

**SPECIFICATIONS:**

**Rating:** 30A, 600V  
**Center Spacing:** 0.25" (6.35mm)  
**Number of Poles:** 4  
**Part Number:**  
 •KT4-WH-A  
 •KT4-WH-B  
*Note:* When used in series must order A and B



**Dimensions - in (mm)**



**Circuits Per Foot:** 48  
**Circuit Jumper:** JN4, 4 circuits  
**Wire Range:** AWG #10-22 CU  
**Screw Size:** #6-32  
**Mounting Options:** Base Mount  
 Mounting screws recommended every 12 circuits  
**Marking Tape:** MTC6  
**Torque Rating:** 18 lb-in  
**Operating Temperature:** 105°C  
**Agency Information:** UL File E62622, CSA File 15364

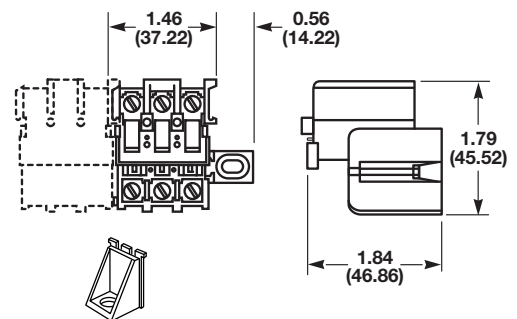
**PLK3**

**SPECIFICATIONS:**

**Rating:** 40A, 600V  
**Center Spacing:** 0.39" (9.91mm)  
**Number of Poles:** 3  
**Circuits Per Foot:** 28  
**Circuit Jumper:** JN3, 2 circuits  
**Wire Range:** AWG #8-22 CU  
**Screw Size:** #8-32  
**Mounting Options:** Base Mount, Stackable; End Piece (Part No. KAD) is required for mounting. Mounting screws recommended every 15 circuits.  
**Marking Tape:** MT12-1-2  
**Torque Rating:** 18 lb-in  
**Operating Temperature:** 105°C  
**Agency Information:** UL File E62622



**Dimensions - in (mm)**



**KAD**  
 End Mount Adapter Required

Terminal Blocks:  
 Single & Double Row

EuroMag Series

Terminal Blocks:  
 Base & Rail Mount

Power Distribution  
 Blocks

Wire Management  
 Products

Edge Connectors,  
 One-Sided Boards

Compliance  
 References



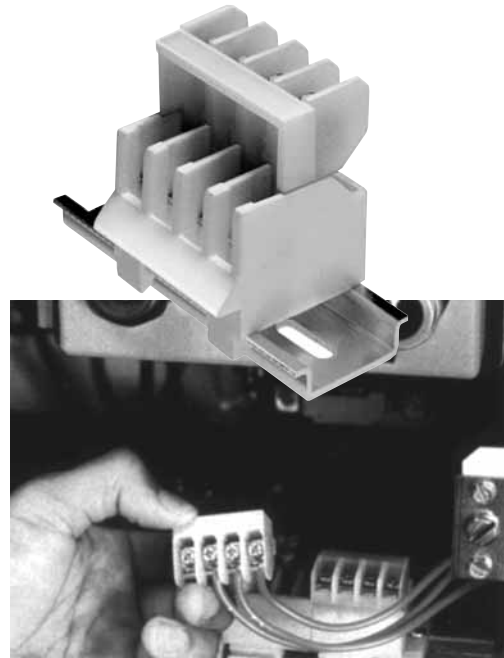
**Series 15188**

Disconnect Terminal Blocks for 35mm DIN Rail Mount

**SPECIFICATIONS**

- Rating:** 30A, 600V\*
- Center Spacing:** 0.375" (9.52mm)
- Wire Range:** #12-16 AGW CU
- Screw Size:** #6-32 zinc-plated phillot
- Number of Poles:** 3- and 4-pole only
- Mounting:** 35mm DIN Rail  
Optional End Stop NDNAS
- Jumpers:** 2- through 4-pole available
- Materials:** Molded Base: UL rated 94V-2 thermoplastic.  
Tin plated copper alloy contacts.
- Torque Rating:** 12 lb-in
- Operating Temperature:** 105°C
- Agency Information:** UL File E62622, CSA File 47235

\* 30A rating achieved with #10AWG wire crimped to ring terminal; 25A without.



Terminal Blocks:  
Single & Double Row

EuroMag Series

Terminal Blocks:  
Base & Rail Mount

Power Distribution  
Blocks

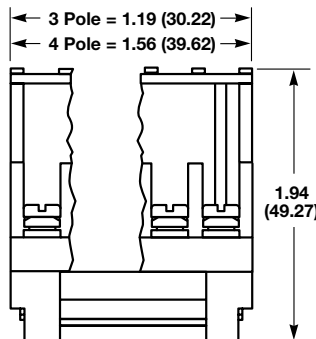
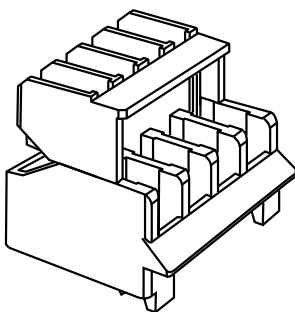
Wire Management  
Products

Edge Connectors,  
One-Sided Boards

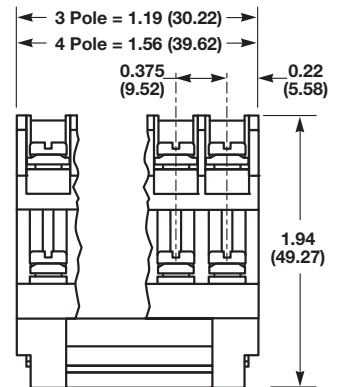
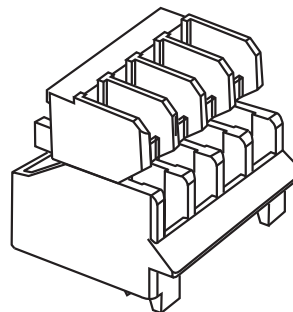
Compliance  
References

**Dimensions - in (mm)**

**IN-LINE WIRING DIRECTION**



**REVERSE WIRING DIRECTION**



**Part Numbering System**

Series

15188

Poles

3 to 4

Wiring

blank - inline  
R - reverse

S

S - locking snap

Terminal Blocks:  
Single & Double Row

EuroMag Series

Terminal Blocks:  
Base & Rail Mount

Power Distribution  
Blocks

Wire Management  
Products

Edge Connectors,  
One-Sided Boards

Compliance  
References

### 15288 Series

Disconnect Terminal Blocks  
for DIN Rail Mount

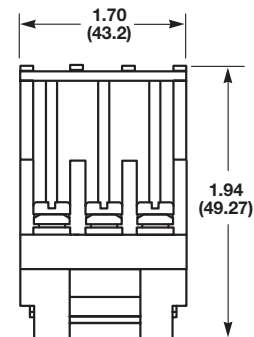
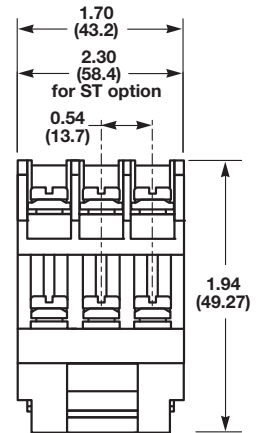
**SPECIFICATIONS**

- Rating:** 65A, 600V\*
- Center Spacing:** 0.54" (13.7mm)
- Wire Range:** #6-16 AWG
- Screw Size:** #8-32 zinc-plated philslot
- Number of Poles:** 3-pole only
- Mounting:** 35mm DIN Rail
- Optional Accessories:** Optional End Stop NDNAS (order optional accessories separately)
- Materials:** Molded Base: UL rated 94V2 thermoplastic. Tin-plated copper alloy contacts.
- Torque Rating:** 20 lb-in (30 lb-in for 8AWG bare wire)
- Operating Temperature:** 105°C (221°F)
- Agency Information:** UL File E62622

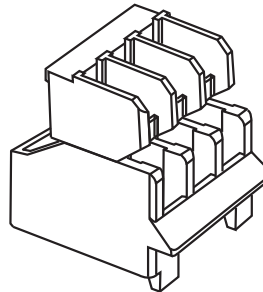
\*CSA rating achieved with #6AWG wire crimped to ring terminal 50A without.



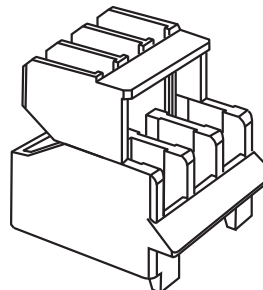
**Dimensions - in (mm)**



REVERSE WIRING DIRECTION



INLINE WIRING DIRECTION



### Part Numbering System

Series



Wiring



**blank** - inline  
**R** - reverse

Options



**S** - snap  
**ST** - screw together  
**SS** - solid DIN rail snap

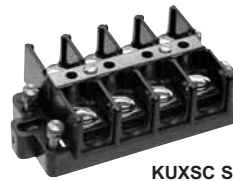


## Series KU

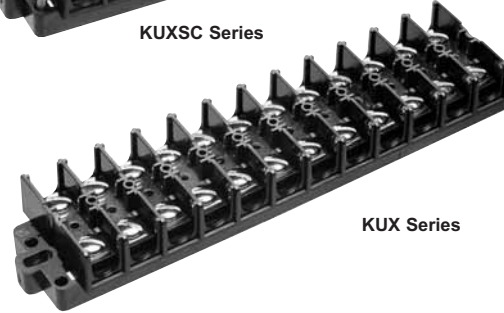
### Base Mount Double Row Terminal Blocks

#### SPECIFICATIONS

- Rating:** 60A, 600V\*
- Center Spacing:** 0.625" (15.88mm)
- Number of Poles:** 2- to 12-poles
- Wire Range:** #6-22 AWG CU
- Screw Size:** #10-32
- Torque Rating:** 20 lb-in.
- Distance Between Barriers:** 0.437" (11.09mm)
- Mounting:** Base mount
- Material:** Molded base: Black, UL rated 94V1 Nuclear Grade Noryl
- Terminal plating:** Nickel over brass
- Operating Temperature:** 105°C max.
- Agency Information:** UL File E62622, CSA File 47235



KUXSC Series



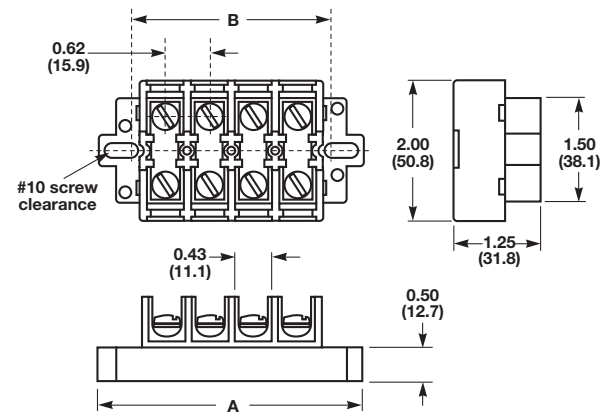
KUX Series

\* 60A rating achieved with #6 copper wire crimped to ring terminal.

Poles	A	KU B	KUX only A
02	2.50	1.62	2.00
03	3.12	2.25	2.62
04	3.75	2.87	3.25
05	4.37	3.50	3.87
06	5.00	4.12	4.50
07	5.62	4.75	5.12
08	6.25	5.37	5.75
09	6.87	6.00	6.37
10	7.50	6.62	7.00
11	8.12	7.25	7.62
12	8.75	7.87	8.25

\* Dimensions in inches. To convert to millimeters, multiply by 25.4.

#### Dimensions - in (mm)



### Part Numbering System

#### Series



- KU** - standard block
- KUX** - short block
- KURL** - standard w/removable link
- KUXRL** - short block w/removable link

#### Poles



02 to 12

#### Screw Options



- 00** - screws shipped bulk
- W** - brass washer head, nickel-plated
- P** - steel screw w/pressure plate zinc-plated
- B** - brass washer head, no plating
- BP** - brass phillslot, nickel-plated

#### Covers



- WC** - top cover & 2 end plates

#### Marking Strip



- MT** - matte finish - white
- NU** - numbered 1 to 12, horizontal
- NUV** - numbered 1 to 12, vertical
- PT** - marker strip for cover

### Part Numbering System - SC Series

- KUSC** - standard w/shorting strap & 4 shorting screws
- KUXSC** - short block w/shorting strap & 4 shorting screws

02 to 12

- 00** - screws shipped bulk
- W** - brass washer head, nickel-plated
- P** - steel screw w/pressure plate zinc-plated
- B** - brass washer head, no plating
- BP** - brass phillslot, nickel-plated

- WC** - top cover & 2 end plates

- PT** - marker strip for cover

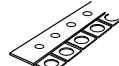
### Accessories



**MTMU##**  
Molded Marking Tape - Matte Finish



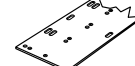
**NUM##**  
Molded Marking Tape



**JU12**  
Jumper - 12 Circuits



**NUE**  
End Piece for NUC



**NUC##**  
Cover

### Series 11675

#### Quick-Connect Power Distribution Blocks

**SPECIFICATIONS**

**Rating:** 40A, 250V

**Poles:** 2- to 6-poles with (3) 0.25" quick-connect terminals per pole

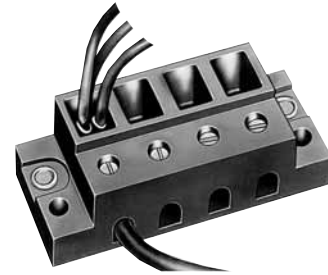
**Wire Range:** #8-14 AWG CU

**Torque Rating:** 18 lb-in.

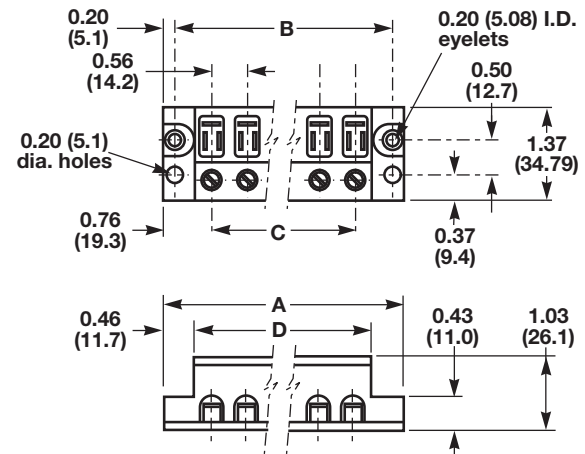
**Operating Temperature:** 150°C

**Design:** Screw connections for field wiring. Quick connects reduce cost of internal wiring.

**Agency Information:** UL File E62622, CSA File 47235



Dimensions - in (mm)



Part Number	A	B	C	D
11675-2	2.09	1.68	0.56	1.15
11675-3	2.66	2.25	1.12	1.71
11675-4	3.22	2.81	1.68	2.28
11675-5	3.78	3.37	2.25	2.84
11675-6	4.34	3.93	2.81	3.40

\* Dimensions in inches. To convert to millimeters, multiply by 25.4.

### Series 11725

#### Quick-Connect Power Distribution Blocks

**SPECIFICATIONS**

**Rating:** 70A, 600V

**Poles:** 2-, 3- or 4-poles with (4) 0.25" quick-connect terminals per pole

**Wire Range:** #2-14 AWG CU / #2-8 AWG AL

**Torque Rating:** 45 lb-in.

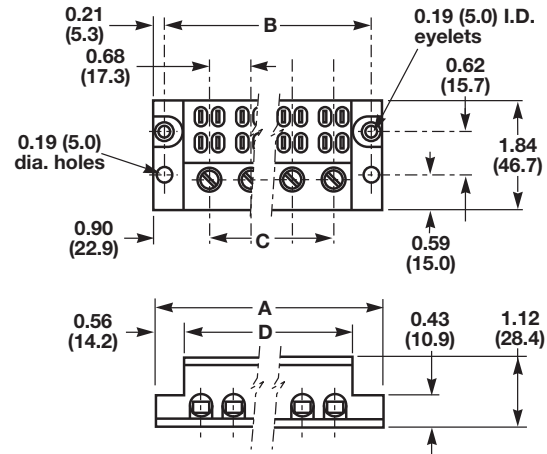
**Operating Temperature:** 150°C

**Design:** Screw connections for field wiring. Quick connects reduce cost of internal wiring.

**Agency Information:** UL File E62622, CSA File 47235



Dimensions - in (mm)



Part Number	A	B	C	D
11725-2	2.50	2.06	0.68	1.37
11725-3	3.18	2.75	1.37	2.06
11725-4	3.87	3.43	2.06	2.75

\* Dimensions in inches. To convert to millimeters, multiply by 25.4.

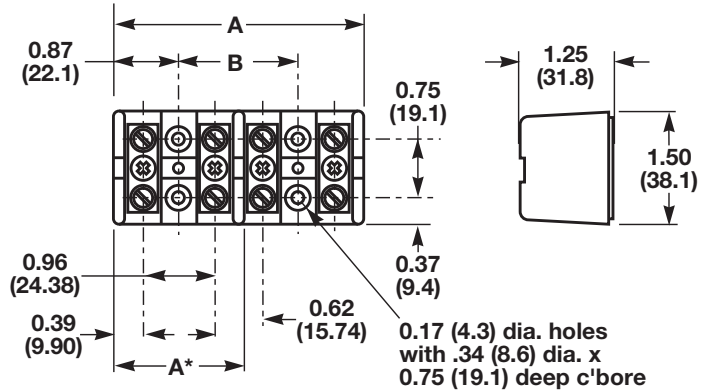
**Series 14002**  
Barrier Terminal Blocks

**SPECIFICATIONS**

**Rating:** 115A, 600V  
**Poles:** 2- to 6-poles  
**Wire Range:** #2-14 AWG CU / #2-8 AWG AL  
**Torque Rating:** 2-3, 50 lb-in; 4-6, 45 lb-in; 8, 40 lb-in; 10-14, 35 lb-in.  
**Operating Temperature:** 150°C  
**Marking:** Marking strip optional, consult factory.  
**Options:** CP = pressure plate, rated 60A, 600V  
 Q = quick-connect, rated 50A, 600V  
 To order enter letter code in front of part number: ie; CP14002-2  
**Agency Information:** UL File E62622, CSA File 47235



Dimensions - in (mm)



\* Dimensions in inches. To convert to millimeters, multiply by 25.4.  
 Note: "A" dimension for 14002-2 & 14002-3 only. (14002-2 & 14002-3 have only two mounting holes.)

Part Number	A	B
14002-2	1.75	-
14002-3	2.37	-
14002-4	3.34	1.59
14002-5	3.96	2.21
14002-6	4.59	2.84

**Series 14004**  
Dead Front Terminal Blocks

**SPECIFICATIONS**

**Rating:** 90A, 600V  
**Poles:** 2- to 12-poles  
**Wire Range:** #4-14 AWG CU / #4-8 AWG AL  
**Torque Rating:**

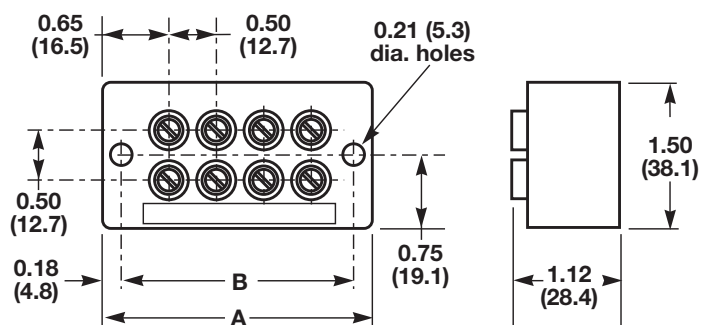
Cu AWG	AL AWG	Lb-in
4-6	4-6	35
8	8	25
10-14	10-12	20
16-18*	-	20

\*Solid conductor only

**Operating Temperature:** 75°C  
**Marking:** Marking strip optional, consult factory.  
**Agency Information:** UL File E62622, CSA File 47235



Dimensions - in (mm)



\* Dimensions in inches. To convert to millimeters, multiply by 25.4.

Part Number	A	B
14004-2	1.81	1.43
14004-3	2.31	1.93
14004-4	2.81	2.43
14004-5	3.31	2.93
14004-6	3.81	3.43
14004-7	4.31	3.93
14004-8	4.81	4.43
14004-9	5.31	4.93
14004-10	5.81	5.43
14004-11	6.31	5.93
14004-12	6.81	6.43

Terminal Blocks:  
Single & Double Row

EuroMag Series

Terminal Blocks:  
Base & Rail Mount

Power Distribution  
Blocks

Wire Management  
Products

Edge Connectors,  
One-Sided Boards

Compliance  
References

## Series 160, 162, 163 & 165

### Splicer Terminal Blocks

#### SPECIFICATIONS

**Rating:** To 620A, 600V; UL/CSA. See table.

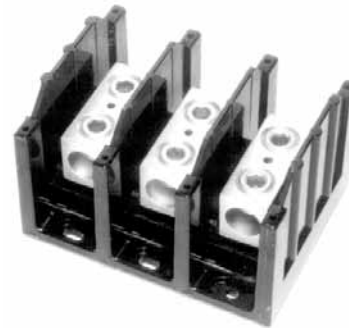
**Materials:** Molded material: Black, UL rated 94V0 thermoplastic

**Operating Temperature:** 150°C

**Marking:** Marker strip is optional, consult factory.

**Agency Information:** UL 221592; General Industrial Class per UL 1059; CSA LR053787; CE Certified

**Covers:** See page 134

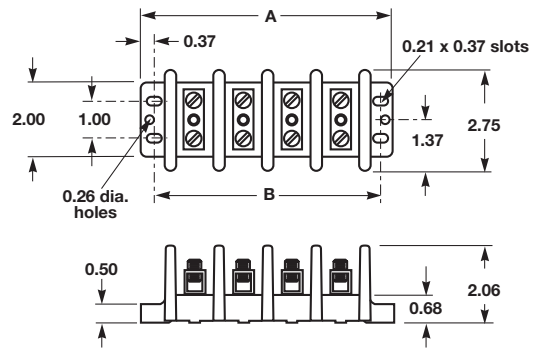


160 Series only

Part Number	Line Connection	Load Connection	Connector Material & Ampacity	Agency Approvals
*16000	2/0-#8CU-AL	2/0-#8CU-AL	AL-175A	UL -
*16003	250k cmil-#6CU only	250k cmil-#6CU only	CU-255A	UL -
*16005	350k cmil-#6CU/AL	350k cmil-#6CU/AL	AL-310A	UL -
16200	#2-#14CU, #2-#8AL	#2-#14CU, #2-#8AL	AL-115A	UL/CSA
16201	1/0-#14CU Only	1/0-#14CU Only	CU-150A	UL/CSA
16204	2/0-#8CU-AL	2/0-#8CU-AL	AL-175A	UL/CSA
16301	250cmil-#6CU Only	250cmil-#6CU Only	CU-255A	UL/CSA
16303	350cmil-#6CU/AL	350cmil-#6CU/AL	AL-310A	UL/CSA
16306	500cmil-#6CU/AL	500cmil-#6CU/AL	AL-380A	UL/CSA
16500	350cmil-#4CU/AL	350cmil-#4CU/AL	AL-620A	UL/CSA
16504	500Mcmil-#6CU/AL	500Mcmil-#6CU/AL	AL-760A	UL/CSA

No. of Poles	A	B
2	4.12	3.62
3	5.37	4.87
4	6.62	6.12

Dimensions - in



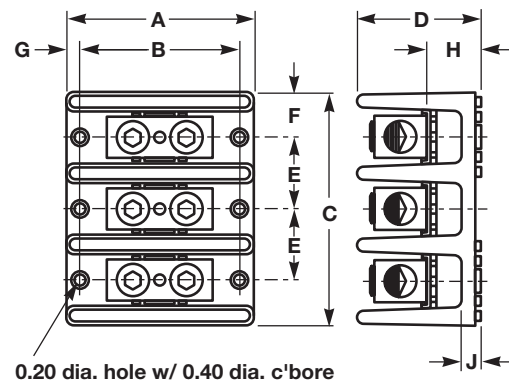
\* 160 Series Bases have mounting holes outside the barriers. Other bases (162 through 165) have mounting holes within barriers. See dimensional drawings.

②Openings per pole.

Series	A	B	C 1-pole	C 2-pole	C 3-pole
162	2.87	2.25	1.06	1.87	2.68
163	4.00	3.37	1.98	3.60	5.21
165	5.50	4.75	3.12	5.81	8.50

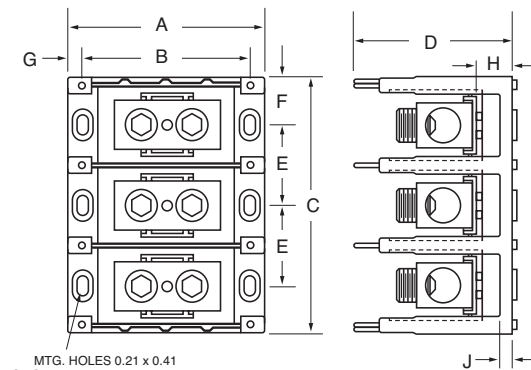
Series	D	E	F	G	H	J
162	1.75	0.81	0.53	0.31	0.84	0.31
163	3.32	1.62	0.97	0.31	0.87	0.35
165	3.12	2.68	1.56	0.37	1.37	0.62

Dimensions - in



162 Series

Dimensions - in



163 Series

**Series PDBFS**

Power Distribution Blocks

**Feature/Benefits**

- Enclosed, safer installation; IP-20 finger-safe under specific conditions
- High Short-Circuit Current Ratings up to 200,000A: PDBs do not have to be the weak link in achieving high SCCR for an industrial control panel
- Small footprint saves panel space
- Listed to UL1953 which has minimum spacing requirements at 600V of at least 1" through air and 2" over surface required for feeders in UL UL508A Industrial Control Panels
- For 2D CAD drawings visit [www.cooperbussmann.com](http://www.cooperbussmann.com)



**Electrical**

- 600Vac or dc (UL 1953), 690Vac or dc (IEC)
- IP-20 Finger Safe under specific conditions
- Short-Circuit Current Ratings up to 200,000kA, see table
- Ampacities up to 760 Amps
- CU Wire range 14 AWG to 500 kcmil or 2.5 to 240 mm<sup>2</sup>

**Mechanical**

- DIN rail or panel mount; PDBFS330 & PDBFS504 panel mount only
- Captive termination screws; screws do not get misplaced
- Wire ready: captive termination screws shipped backed out to save time on conductor installations
- Sliding DIN rail latch for easy mounting
- Single pole, gang mountable for multiple pole applications with interlocking dovetail accessory (optional)
- Flammability, UL 94V0
- Tin-plated AL connectors suitable for CU conductors
- Elongated hole for panel mounting; easier mounting with greater flexibility in matching up with drilled panel holes
- Part 2A1279: Interlocking dovetail pin accessory  
One pin interlocks two units, two pins to interlock three units
- DIN rail end anchors required to prevent damage to block when torquing

**Agency/Standards**

- UL Listed 1953, Guide QPQS, File E256146
- CSA Certified, Class 6228-01, File 15364
- CE component IEC 60947-7-1
- IEC 60529, IP-20 (Finger Safe) under specific wiring conditions

**Series PDBFS**

Catalog Number (All Single Pole)	Amps	Terminal Copper Conductor Capability			Short-Circuit Current Rating Data						
		Line	Load	Configuration	Conductors		Max Fuse Class & Amp**				SCCR
		Wire Range	Wire Range	Openings per Pole Line Load	Line AWG or kcmil	Load AWG or kcmil	J LPJ	T JJS JJN	RK1 LPS-RK LPN-RK	RK5 FRS-R FRN-R	
PDBFS204	175A	2/0 - 8 AWG 70 - 10 mm <sup>2</sup>	2/0 - 8 AWG 70 - 10 mm <sup>2</sup>		2/0 - 8	2/0 - 8	200	200	100	60	200kA
PDBFS220	175A	2/0 - 8 AWG 70 - 10 mm <sup>2</sup>	4 - 14 AWG 25 - 2.5 mm <sup>2</sup>		2/0 - 8	4 - 12 4 - 14	200 175† 200†	200 175† 200†	100† 100† 100†	60† 60† 60†	200kA 100kA 50kA
PDBFS303	310A	350kcmil - 6 AWG 150 - 16 mm <sup>2</sup>	350kcmil - 6 AWG 150 - 16 mm <sup>2</sup>		350 - 6	350 - 6	400	400	200	100	200kA
PDBFS330	380A	500kcmil - 6 AWG 240 - 16 mm <sup>2</sup>	2 - 14 AWG 35 - 2.5 mm <sup>2</sup>		500 - 6	2 - 6 2 - 14	400 200† 175†	400 200† 175†	200† 100† 100†	100† 30† 30†	200kA 50kA 100kA
PDBFS377	570A	300kcmil - 4 AWG 150 - 12 mm <sup>2</sup>	4 - 14 AWG 25 - 2.5 mm <sup>2</sup>		300	4 - 8	600	600	400†	200†	200kA
PDBFS500	620A	350kcmil - 4 AWG 185 - 12 mm <sup>2</sup>	350kcmil - 4 AWG 185 - 12 mm <sup>2</sup>		350	350	600	600	400	200	200kA
					350 - 4	350 - 4	600	800	600	200	100kA
PDBFS504	760A	500kcmil - 6 AWG 240 - 16 mm <sup>2</sup>	500kcmil - 6 AWG 240 - 16 mm <sup>2</sup>		500	500	600	800*	600	400	200kA
					500 - 6	500 - 6	600	800*	600	200	100kA

Ampacities 75C per NEC® Table 310.16 and UL508A Table 28.1

\*Class L 800A (KRP-C 800\_SP) or less fuses suitable for this particular SCCR case.

\*\* Class G 60A (SC-60) or less or Class CC 30A (LP-CC-30, FNQ-R-30, KTK-R-30) or less are suitable for all these SCCRs in this table.

† Higher SCCR may be available, check latest datasheet 1149.



**Series 160, 162, 163 & 165**  
Power Distribution Blocks

**SPECIFICATIONS**

**Rating:** To 840A, 600V; UL/CSA. See table.

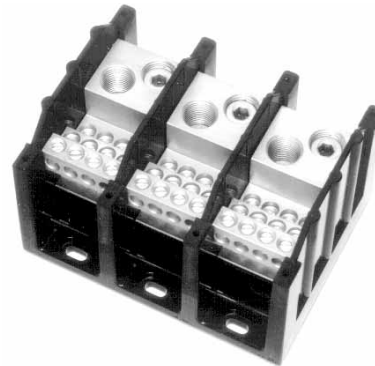
**Materials:** Molded material: Black,  
UL rated 94V0 thermoplastic

**Operating Temperature:** 150°C

**Marking:** Marker strip is optional, consult factory.

**Agency Information:** UL 221592; General Industrial Class per  
UL 1059; CSA LR053787; CE Certified

**Covers:** See page 134



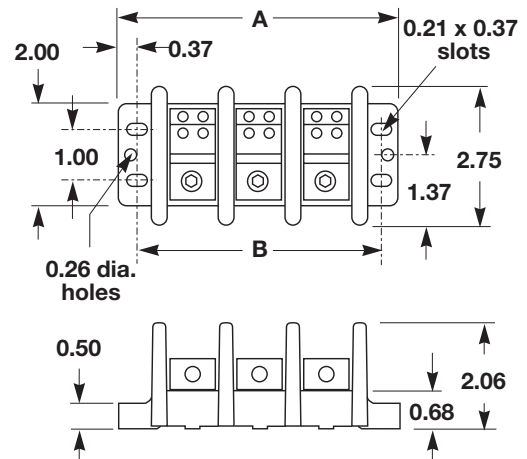
Part Number	Line Connection	Load Connection	Connector Material & Ampacity	Agency Approvals
*16021	2/0-#14CU,2/0-#8AL	④#4-14CU, #4-#8AL	AL-175A	UL/CSA
*16023	350kcmil-#6CU/AL	④#4-14CU, #4-#12AL	AL-310A	UL/CSA
16220	2/0-#14CU, 2/0-#8AL	④#4-14CU, #4-#8AL	AL-175A	UL/CSA
16321	2/0-#14CU, 2/0-#8AL	④#4-14CU, #4-#8AL	AL-175A	UL/CSA
16323	350kcmil-#6CU/AL	④#4-14CU, #4-#12AL	AL-310A	UL/CSA
16325	②2/0-#14CU, 2/0-#8AL	④#4-14CU, #4-#8AL	AL-350A	UL/CSA
16330	500kcmil-#6CU/AL	②#2-#14CU, #2-#12AL	AL-380A	UL/CSA
16332	350kcmil-#6CU/AL	③#2-#14CU, #2-#8AL	AL-310A	UL/CSA
16335	500kcmil-#6CU/AL	②1/0-#14CU, 1/0-#8AL	AL-380A	UL/CSA
16370	350kcmil-#6CU/AL	③#2-#14CU, #2-#8AL	AL-310A	UL/CSA
16371	350kcmil-#6CU/AL	②1/0-#14CU, 1/0-#8AL	AL-310A	UL/CSA
16372	350kcmil-#6CU/AL	①#4-#14CU, #4-#12AL	AL-310A	UL/CSA
16373	350kcmil-#6CU/AL	③#2-#14CU, #2-#8AL	AL-310A	UL/CSA
16375	350kcmil-#6CU/AL	③1/0-#14CU, #10AL	AL-310A	UL/CSA
16376	350kcmil-#6CU/AL	③1/0-#14CU/AL	AL-310A	UL/CSA
16375	600kcmil-#2CU/AL	①#4-#14CU, #4-#12AL	AL-420A	UL/CSA
16376	600kcmil-#2CU/AL	③#2-#14CU, #2-8AL	AL-420A	UL/CSA
16377	③300kcmil-#4CU/AL	③#1/0-#14CU, 1/0-#8AL	AL-570A	UL/CSA
16528	③600kcmil-#2CU/AL	①#4-#14CU, #4-#12AL	AL-840A	UL/CSA
16530	③500kcmil-#6CU/AL	④#4-#14CU/AL	AL-760A	UL/CSA

\* 160 Series Bases have mounting holes outside the barriers. Other bases (162 through 165) have mounting holes within barriers. See dimensional drawings.

① Openings per pole.

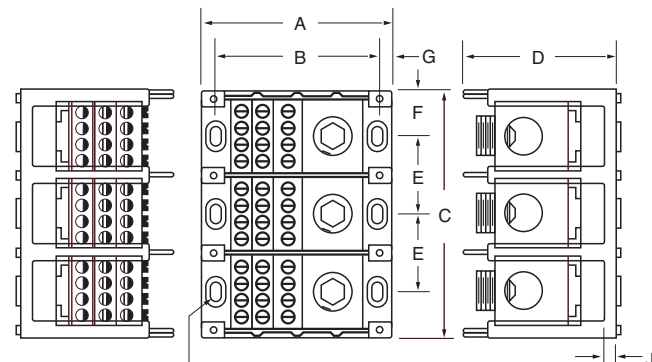
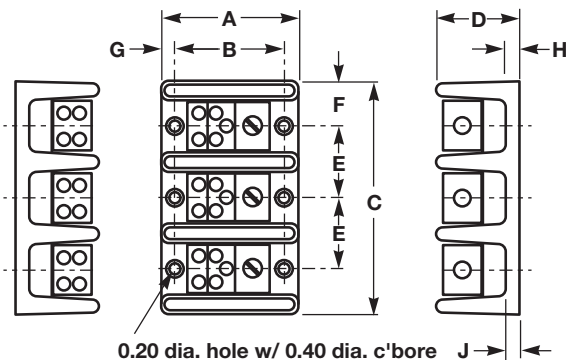
**160 Series only**

No. of Poles	A	B
2	4.12	3.62
3	5.37	4.87
4	6.62	6.12



Series	A	B	C	C	C
			1-pole	2-pole	3-pole
162	2.87	2.25	1.06	1.87	2.68
163	4.00	3.37	1.98	3.60	5.21
165	5.50	4.75	3.12	5.81	8.50

Series	D	E	F	G	H	J
162	1.75	0.81	0.53	0.31	0.84	0.31
163	3.32	1.62	0.97	0.31	0.87	0.35
165	3.12	2.68	1.56	0.37	1.37	0.62



MTG. HOLES 0.21 x 0.41  
C'BORE 0.42 x 0.62 x 0.12 DEEP

## Series 162, 163 & 165

### Connector/Stud Power Distribution Blocks

#### SPECIFICATIONS

**Rating:** To 760A, 600V; UL/CSA. See table.

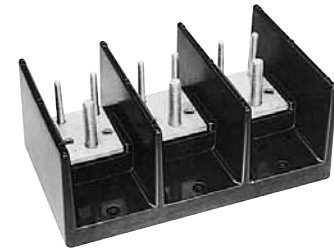
**Materials:** Molded material: Black, UL rated 94V0 thermoplastic

**Operating Temperature:** 150°C

**Marking:** Marker strip is optional, consult factory.

**Agency Information:** UL 221592; General Industrial Class per UL 1059; CSA LR053787; CE Certified

**Covers:** See page 134

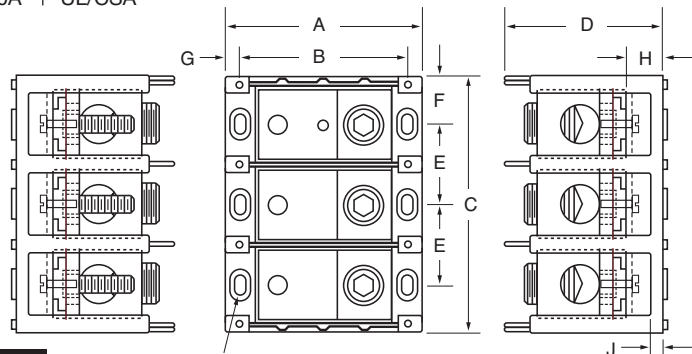


Part Number	Line Connection	Load Connection	Connector Material & Ampacity	Agency Approvals
<b>Connector to Stud</b>				
16280	2/0-#14CU/AL	1/4-20x3/4 Stud	AL-175A	UL
16281	2/0-#14CU/AL	1/4-20 Tapped hole	AL-175A	UL
16378	500kcmil-#6CU/AL	1/4-20x1 Stud	AL-380A	UL/CSA
16383	500kcmil-#6CU/AL	3/8-16x1 Stud	AL-380A	UL/CSA
16582	500kcmil-#6CU/AL	3/8-16x1 5/8 Stud	AL-760A	UL/CSA
<b>Stud to Stud</b>				
16290	1/4-20x3/4 Stud	1/4-20x3/4 Stud	Cu-175A	UL
16390	3/8-16x1 1/8 Stud	3/8-16x1 1/8 Stud	CU-250A	UL/CSA
16394	1/2-13x1 1/16 Stud	1/2-13x1 1/16 Stud	CU-400A	UL/CSA
16395	3/8-16x1 7/16 Stud	1/4-20x9/16 Stud	CU-310A	UL/CSA
16591	3/8-16x1 7/16 Stud	3/8-16x1 7/16 Stud	CU-400A	UL/CSA
16593	1/2-13x1 Stud	1/2-13x1 Stud	CU-600A	UL/CSA

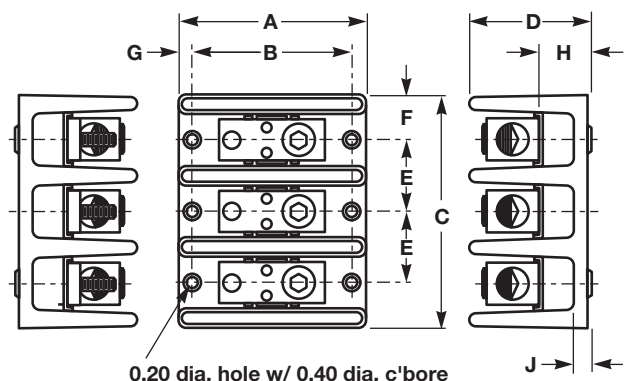
<sup>1)</sup> Openings per pole.

Series	A	B	C		
			1-pole	2-pole	3-pole
162	2.87	2.25	1.06	1.87	2.68
163	4.00	3.37	1.98	3.60	5.21
165	5.50	4.75	3.10	5.79	8.48

Series	D	E	F	G	H	J
162	1.75	0.81	0.53	0.31	0.84	0.31
163	3.32	1.62	0.97	0.31	0.87	0.35
165	2.93	2.68	1.55	0.37	1.19	0.44



MTG. HOLES 0.21 x 0.41  
C'BORE 0.42 x 0.62 x 0.12 DEEP



Terminal Blocks:  
Single & Double Row

EuroMag Series

Terminal Blocks:  
Base & Rail Mount

Power Distribution  
Blocks

Wire Management  
Products

Edge Connectors,  
One-Sided Boards

Compliance  
References



**Series EN**  
Power Blocks  
1.78" Centers

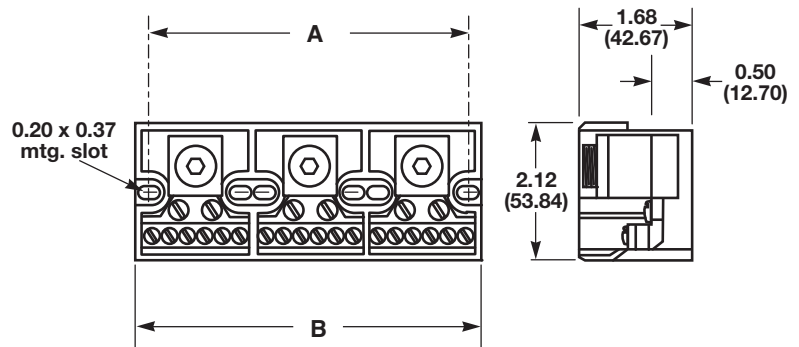
**SPECIFICATIONS**

**Rating:** 285A, 600V; UL/CSA  
**Wire Range:** Line Connection: #300MCM-#4 CU/AL  
 Load Connection: (6) #6-14AWG CU  
 (6) #8-14 AWG AL  
**Material:** Molded material; Black, UL rated  
 94V2 thermoplastic  
**Poles:** 1-3  
**Operating Temperature:** 125°C  
**Torque Rating:** 200 lb-in. line terminal, 20 lb-in. load terminal  
**Agency Information:** UL File E62622, CSA File 47235  
**Covers:** Not available



Series	A	B
EN61- (1-pole)	1.38	1.78
EN62- (2-pole)	3.15	3.62
EN63- (3-pole)	4.93	5.37

Dimensions - in (mm)



**Covers (160, 162, 165 Series)**

**Part Numbering System**

Series



- 160 1 - One Pole Block (162, 165 Series only)
- 162 2 - Two Pole Block
- 165 3 - Three Pole Block
- 4 - Four Pole Block (160 Series only)

**Covers (163 Series)**

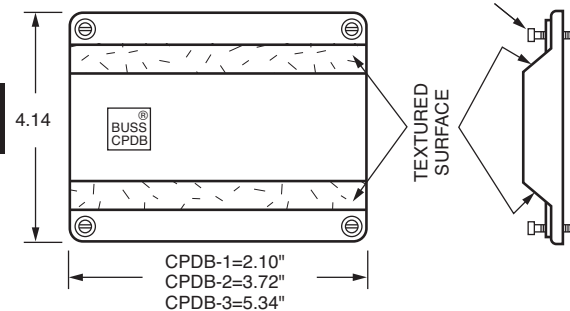
**Part Numbering System**

Series



- 1 - One Pole Block
- 2 - Two Pole Block
- 3 - Three Pole Block

SUPPLIED WITH  
(4) #4 THREAD-CUTTING SCREWS  
ASSEMBLED AS SHOWN

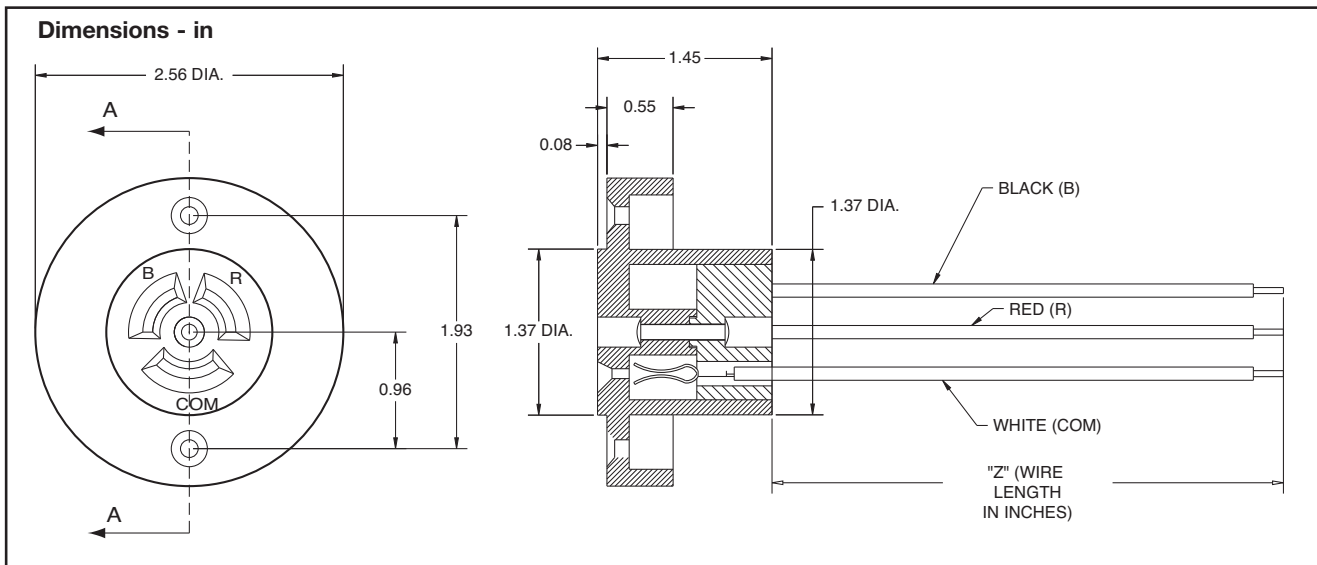


Clear with write on surface

### Photo Control Receptacle Series

#### Wire Management Products

- 3-pole, 3-wire receptacles for plug-in, locking type photo controls used in outdoor areas and roadway lighting.
- Receptacle configuration, terminals and limiting dimensions are in accordance with Figure 3 of EE Pub. No. TDJ-146, NEMA Pub. No. SH 16-1962 and UL 773.
- Wire types and sizes ranging from #12 AWG through 16 AWG rated at 600V with temperature ratings from 105° to 200°C. Consult factory for other wire colors.
- Hook-up wires are an integral part of the assembly with lengths furnished to customer specification.
- UL Recognized under file E65288 for a rating of 1kW or 1800VA for potentials up to 480V.
- CSA certified under file LR21295 for 15 amps at 125V.
- CE Certified.



### Part Numbering System

<b>Series</b>	<b>Terminal Type</b>	<b>Wire Type</b>	<b>Wire Gauge</b>	<b>Wire Length</b>
13661	W	□	□□	□
	W - wire	See Table I	See Table II	Dimension "Z"* * Min 4"

**TABLE I (Wire Type)**

Ass'y No.	Wire Description
13661-W1XX	Min. of 26 Strands, Copper Conductor, 125°C-600V Crosslinked Polyethylene.
13661-W2XX	Min. of 26 Strands, Copper Conductor, Silicone Rubber Insulation and Fiber Glass Braid Jacket, Nec. Type SFF-2(150°C)
13661-W3XX	Min. of 26 Strands, Copper Conductor, Type TW, 105°C-600V Insulation (16 gauge only)
13661-W4XX	Min. of 7 Strands, Copper Conductor of 0.0192 Silicone Rubber Insulation and Fiber Glass Braid Jacket, Nec. Type SF-2 (200°C)
13661-W5XX	Min of 19 Strands, Copper Conductor, Type AWM. 105°C-600V Insulation

**TABLE II (Wire Gauge)**

Ass'y No.	Wire Gauge
13661-W2XX	12 Gauge
13661-W4XX	14 Gauge
13661-W6XX	16 Gauge

Terminal Blocks:  
Single & Double Row

EuroMag Series

Terminal Blocks:  
Base & Rail Mount

Power Distribution  
Blocks

Wire Management  
Products

Edge Connectors,  
One-Sided Boards

Compliance  
References

**Stud Type Junction Blocks**  
(Non-Feed Thru)



**Series C4559 & C6083**

**SPECIFICATIONS**

**Rating:** 30A, 600V

**Operating Temperature:** 250°F (120°C)

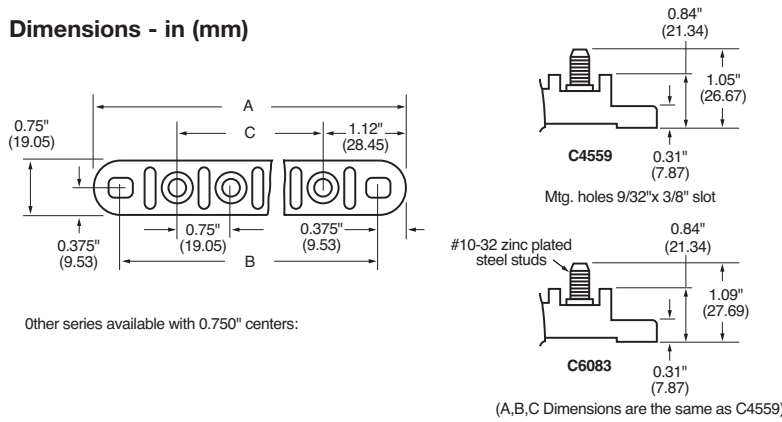
**Standards:** 2 to 16 steel studs with #10-24 threads on 0.750" centers and a "dog point" to guide nut onto thread.

**Torque Rating:** 20 lb-in (25 lb-in).

**Marking:** Numbers and arrows molded on top of barriers indicate terminals.

**Agency Information:** CSA File 15364

**Dimensions - in (mm)**



Part No.-Poles	A	B	C
C4559-2	3.00 (76.2)	2.25 (57.1)	0.75 (19.0)
C4559-3	3.75 (95.2)	3.00 (76.2)	1.50 (38.1)
C4559-4	4.50 (114.3)	3.75 (95.2)	2.25 (57.1)
C4559-5	5.25 (133.3)	4.50 (114.3)	3.00 (76.2)
C4559-6	6.00 (152.4)	5.25 (133.3)	3.75 (95.2)
C4559-7	6.75 (171.4)	6.00 (152.4)	4.50 (114.3)
C4559-8	7.50 (190.5)	6.75 (171.4)	5.25 (133.3)
C4559-9	8.25 (209.5)	7.50 (190.5)	6.00 (152.4)
C4559-10	9.00 (228.6)	8.25 (209.5)	6.75 (171.4)
C4559-11	9.75 (247.6)	9.00 (228.6)	7.50 (190.5)
C4559-12	10.50 (266.7)	9.75 (247.6)	8.25 (209.5)
C4559-13	11.25 (285.7)	10.50 (266.7)	9.00 (228.6)
C4559-14	12.00 (308.4)	11.25 (285.7)	9.75 (247.6)
C4559-15	12.75 (323.8)	12.00 (308.4)	10.50 (266.7)
C4559-16	13.50 (342.9)	12.75 (323.8)	11.25 (285.7)

**Series C5237 & JB1032**

**SPECIFICATIONS**

**Rating:** UL: 30A, 300V; CSA: 30A, 600V.

**Operating Temperature:** 250°F (120°C)

**Standards:** 1 to 15 brass studs on 0.625" centers with #10-32 thread and a "dog point" to guide nut onto thread.

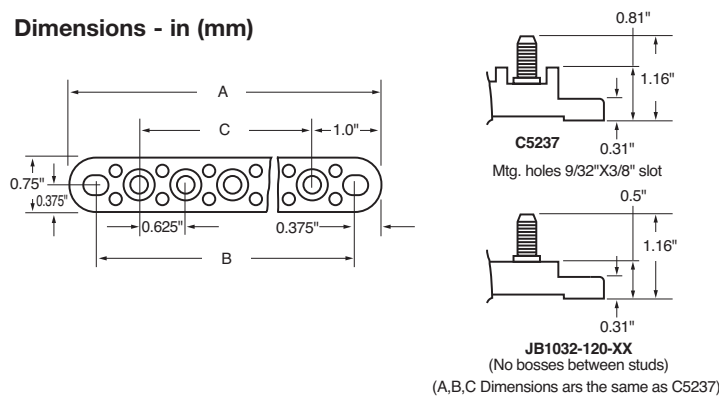
**Torque Rating:** 20 lb-in (25 lb-in).

**Marking:** Numbers and arrows molded on top of barriers indicate terminals.

**Agency Information:** CSA File 15364



**Dimensions - in (mm)**



Part No.-Poles	A	B	C
C5237-1	2.00 (50.8)	1.25 (31.7)	-
C5237-2	2.62 (66.7)	1.87 (47.5)	0.625 (15.9)
C5237-3	3.25 (82.5)	2.50 (63.4)	1.25 (31.7)
C5237-4	3.87 (98.4)	3.12 (79.4)	1.87 (47.5)
C5237-5	4.50 (114.3)	3.75 (95.2)	2.50 (63.4)
C5237-6	5.12 (130.8)	4.37 (111.1)	3.12 (79.4)
C5237-7	5.75 (146.0)	5.00 (127.0)	3.75 (95.2)
C5237-8	6.37 (161.9)	5.62 (142.9)	4.37 (111.1)
C5237-9	7.00 (177.8)	6.25 (158.7)	5.00 (127.0)
C5237-10	7.62 (193.7)	6.87 (174.6)	5.62 (142.9)
C5237-11	8.25 (209.5)	7.50 (190.5)	6.25 (158.7)
C5237-12	8.87 (225.4)	8.12 (206.4)	6.87 (174.6)
C5237-13	9.50 (241.3)	8.75 (222.2)	7.50 (190.5)
C5237-14	10.12 (257.2)	9.37 (238.1)	8.12 (206.4)
C5237-15	10.75 (273.0)	10.00 (254.0)	8.75 (222.2)

Terminal Blocks: Single & Double Row  
EuroMag Series  
Terminal Blocks: Base & Rail Mount  
Power Distribution Blocks  
Wire Management Products  
Edge Connectors, One-Sided Boards  
Compliance References

## Stud Type Junction Blocks

### SPECIFICATIONS

**Material:** Studs on non-feed-thrus are steel plated; feed-thrus are copper alloy.

**Applications:** Heavy-duty ground or power connection points in AC or DC circuits. Feed-thru or stand alone mount options available for transformers, communication and computer power sections along with various vehicle electrical systems.

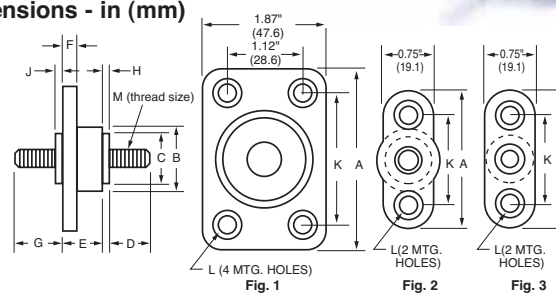
**Benefits:** Modular design offers design and manufacturing flexibility.

### Suggested Max. Termination Ratings:

Thread/Stud Sz.	Max. Amps
#10	50
#1/4 & M6	100
#5/16	200
#3/8	250
#1/2	400



Dimensions - in (mm)



Part	Fig.	A	B	C	D	E	F	G	H	J	K	L	M	Max. Torque (in-lb)	Material	Color
C1925*	1	2.75 (69.8)	1.5 (38.1)	1.25 (31.7)	1.25 (31.7)	1.12 (28.6)	.37 (9.5)	1.12 (28.6)	.19 (4.8)	.19 (4.8)	2.0 (50.8)	.22 dia. w/.44 dia. C'bore x .16 deep	1/2-13	300	Thermoplastic / Zinc-plated Brass	Red
C1925B*	1	2.75 (69.8)	1.5 (38.1)	1.25 (31.7)	1.25 (31.7)	1.12 (28.6)	.37 (9.5)	1.12 (28.6)	.19 (4.8)	.19 (4.8)	2.0 (50.8)	.22 dia. w/.44 dia. C'bore x .16 deep	1/2-13	300	Thermoplastic / Zinc-plated Brass	Black
C1925-1*	1	2.75 (69.8)	1.5 (38.1)	1.25 (31.7)	1.25 (31.7)	1.12 (28.6)	.37 (9.5)	1.12 (28.6)	.19 (4.8)	.19 (4.8)	2.0 (50.8)	.22 dia. w/.44 dia. C'bore x .16 deep	1/2-13	300	Thermoplastic / Tin-plated Brass	Red
C1925-1B*	1	2.75 (69.8)	1.5 (38.1)	1.25 (31.7)	1.25 (31.7)	1.12 (28.6)	.37 (9.5)	1.12 (28.6)	.19 (4.8)	.19 (4.8)	2.0 (50.8)	.22 dia. w/.44 dia. C'bore x .16 deep	1/2-13	300	Thermoplastic / Tin-plated Brass	Black
C1925-2*	1	2.75 (69.8)	1.5 (38.1)	1.25 (31.7)	1.25 (31.7)	1.12 (28.6)	.37 (9.5)	1.12 (28.6)	.19 (4.8)	.19 (4.8)	2.0 (50.8)	.22 dia. w/.44 dia. C'bore x .16 deep	3/8-16	150	Thermoplastic / Tin-plated Brass	Red
C1925-2B*	1	2.75 (69.8)	1.5 (38.1)	1.25 (31.7)	1.25 (31.7)	1.12 (28.6)	.37 (9.5)	1.12 (28.6)	.19 (4.8)	.19 (4.8)	2.0 (50.8)	.22 dia. w/.44 dia. C'bore x .16 deep	3/8-16	150	Thermoplastic / Tin-plated Brass	Black
C1933	1	2.75 (69.8)	1.44 (36.6)	1.25 (31.7)	1.5 (38.1)	1.12 (28.6)	.37 (9.5)	None	.19 (4.8)	None	2.0 (50.8)	.22 dia.	1/2-13	300	Thermoplastic / Zinc-plated Brass	Black
C1933-1	1	2.75 (69.8)	1.44 (36.3)	1.25 (31.7)	1.5 (38.1)	1.12 (28.6)	.37 (9.5)	None	.19 (4.8)	None	2.0 (50.8)	.22 dia.	5/16-18	75	Thermoplastic / Zinc-plated Brass	Black
C1938*	2	2.06 (52.4)	.94 (23.8)	.69 (17.5)	.87 (22.2)	.69 (17.5)	.31 (7.9)	.94 (23.8)	.06 (1.6)	.06 (1.6)	1.31 (33.3)	.22 dia. w/.41 dia. C'bore x .14 deep	3/8-16	150	Thermoplastic / Zinc-plated Brass	Black
C1938R*	2	2.06 (52.4)	.94 (23.8)	.69 (17.5)	.87 (22.2)	.69 (17.5)	.31 (7.9)	.94 (23.8)	.06 (1.6)	.06 (1.6)	1.31 (33.3)	.22 dia. w/.41 dia. C'bore x .14 deep	3/8-16	150	Thermoplastic / Zinc-plated Brass	Red
C1938-1*	2	2.06 (52.4)	.94 (23.8)	.69 (17.5)	.87 (22.2)	.69 (17.5)	.31 (7.9)	.94 (23.8)	.06 (1.6)	.06 (1.6)	1.31 (33.3)	.22 dia. w/.41 dia. C'bore x .14 deep	5/16-18	75	Thermoplastic / Tin-plated Brass	Black
C1938-1R*	2	2.06 (52.4)	.94 (23.8)	.69 (17.5)	.87 (22.2)	.69 (17.5)	.31 (7.9)	.94 (23.8)	.06 (1.6)	.06 (1.6)	1.31 (33.3)	.22 dia. w/.41 dia. C'bore x .14 deep	5/16-18	75	Thermoplastic / Tin-plated Brass	Red
C2791*	3	2.06 (52.4)	.69 (17.5)	.44 (11.2)	.62 (15.9)	.69 (17.5)	.31 (7.9)	.69 (17.5)	.06 (1.6)	.06 (1.6)	1.31 (33.3)	.22 dia. w/.41 dia. C'bore x .14 deep	1/4-20	30	Thermoplastic / Zinc-plated Brass	Black
C2791-R*	3	2.06 (52.4)	.69 (17.5)	.44 (11.2)	.62 (15.9)	.69 (17.5)	.31 (7.9)	.69 (17.5)	.06 (1.6)	.06 (1.6)	1.31 (33.3)	.22 dia. w/.41 dia. C'bore x .14 deep	1/4-20	30	Thermoplastic / Zinc-plated Brass	Red
C2909*	3	2.06 (52.4)	.69 (17.5)	.44 (11.2)	.62 (15.9)	1.0 (25.4)	.31 (7.9)	.69 (17.5)	.06 (1.6)	.06 (1.6)	1.31 (33.3)	.22 dia. w/.41 dia. C'bore x .14 deep	10-32	24	Thermoplastic / Zinc-plated Brass	Black
C2909-1*	3	2.06 (52.4)	.69 (17.5)	.44 (11.2)	.62 (15.9)	1.0 (25.4)	.31 (7.9)	.69 (17.5)	.06 (1.6)	.06 (1.6)	1.31 (33.3)	.22 dia. w/.41 dia. C'bore x .14 deep	1/4-20	30	Thermoplastic / Zinc-plated Brass	Black
C4044*	2	2.06 (52.4)	.87 (22.2)	.62 (15.9)	.62 (15.9)	1.12 (28.6)	.31 (7.9)	.94 (23.8)	.06 (1.6)	.06 (1.6)	1.31 (33.3)	.22 dia. w/.41 dia. C'bore x .14 deep	3/8-16	150	Thermoplastic / Zinc-plated Brass	Black
C4044-1*	2	2.06 (52.4)	.87 (22.2)	.62 (15.9)	.62 (15.9)	1.12 (28.6)	.31 (7.9)	.94 (23.8)	.06 (1.6)	.06 (1.6)	1.31 (33.3)	.22 dia. w/.41 dia. C'bore x .14 deep	3/8-16	150	Thermoplastic / Tin-plated Brass	Black
C4044-1R*	2	2.06 (52.4)	.87 (22.2)	.62 (15.9)	.62 (15.9)	1.12 (28.6)	.31 (7.9)	.94 (23.8)	.06 (1.6)	.06 (1.6)	1.31 (33.3)	.22 dia. w/.41 dia. C'bore x .14 deep	3/8-16	150	Thermoplastic / Tin-plated Brass	Red
C5898*	2	2.06 (52.4)	.94 (23.8)	.69 (17.5)	.87 (22.2)	.69 (17.5)	.31 (7.9)	.94 (23.8)	.06 (1.6)	.06 (1.6)	1.31 (33.3)	.22 dia. w/.41 dia. C'bore x .14 deep	3/8-16	150	Thermoplastic / Zinc-plated Brass	Red
C6344-2	2	2.06 (52.4)	.87 (22.2)	.62 (15.9)	.62 (15.9)	1.12 (28.6)	.31 (7.9)	None	.06 (1.6)	None	1.31 (33.3)	.22 dia. w/.41 dia. C'bore x .14 deep	1/2-20	150	Thermoplastic / Zinc-plated Steel	Black
C7018*	3	2.06 (52.4)	.69 (17.5)	.44 (11.2)	.47 (11.9)	.69 (17.5)	.31 (7.9)	.53 (13.5)	.06 (1.6)	.06 (1.6)	1.31 (33.3)	.22 dia. w/.41 dia. C'bore x .14 deep	M6	55	Thermoplastic / Zinc-plated Steel	Black
C7020*	2	2.06 (52.4)	.94 (23.8)	.69 (17.5)	.88 (22.2)	.69 (17.5)	.31 (8.0)	1.25 (31.8)	.06 (1.6)	.06 (1.6)	1.31 (33.3)	.22 dia. w/.41 dia. C'bore x .14 deep	3/8-16	150	Thermoplastic / Zinc-plated Brass	Red
JB3816-2	2	2.12 (54.0)	.98 (24.9)	.62 (15.9)	.87 (22.2)	.69 (17.5)	.31 (7.9)	None	.06 (1.6)	None	1.37 (34.9)	.22 dia. w/.37 dia. C'bore x .14 deep	3/8-16	150	Thermoplastic / Zinc-plated Steel	Black
JB3816-3	2	2.12 (54.0)	.98 (24.9)	.62 (15.9)	.87 (22.2)	.69 (17.5)	.31 (7.9)	None	.06 (1.6)	None	1.37 (34.9)	.22 dia. w/.37 dia. C'bore x .14 deep	3/8-16	150	Thermoplastic / Zinc-plated Steel	Red

\*Feed-thru Options - Nuts & washers; consult factory.

Terminal Blocks:  
Single & Double Row

EuroMag Series

Terminal Blocks:  
Base & Rail Mount

Power Distribution  
Blocks

Wire Management  
Products

Edge Connectors,  
One-Sided Boards

Compliance  
References

## Series C7021

### Power Feed Thru Terminal Block

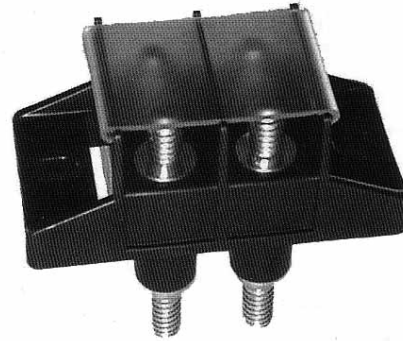
#### APPLICATIONS

The C7021 terminal block is intended for use in applications requiring up to 175A utilizing a 2-hole compression lug on 5/8" centers. It is ideal for use as an input/output block for telecommunications power panels, or anywhere in which eliminating busbars would be an advantage.

#### SPECIFICATIONS

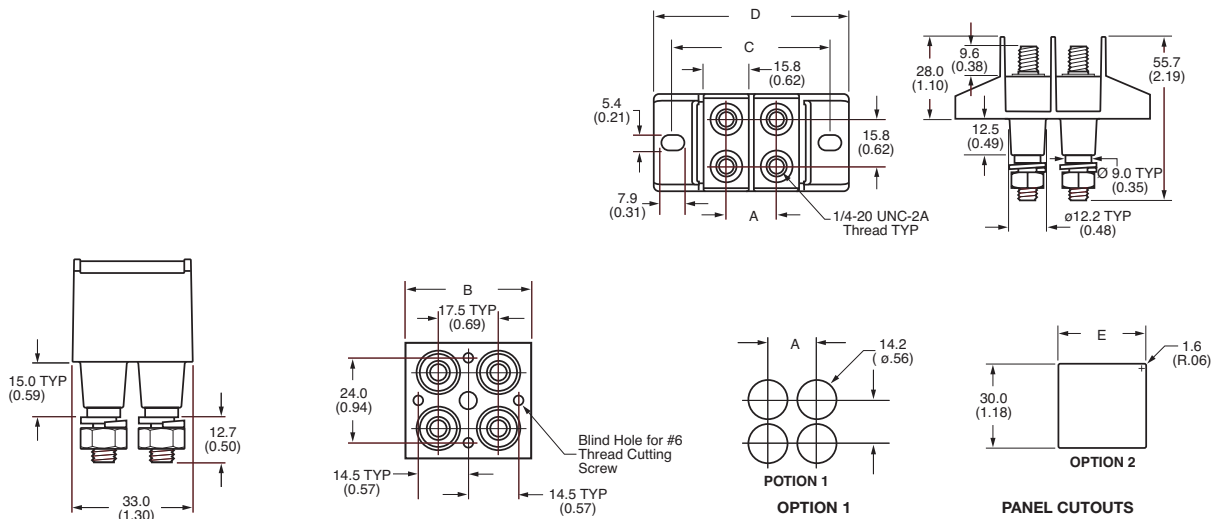
- Ratings:** 175A\* per pole, 300V.
- Center Spacing:** 0.690" (17.5mm)
- Wire Range:** AWG #2/0-8
- Material:** UL 94V0 Thermoplastic
- Number of Poles:** 2- to 6-pole
- Bolt Hole Spacing:** 0.625" (15.88mm)
- Stud:** Standard 1/4-20 stud or optional M6 stud.
- Mounting:** Optional mounting ears.
- Stud Material:** Brass, Tin-Plated.
- Torque Rating:** 36 lb-in
- Operating Temperature:** 130°C
- Accessories:** Dead-Front covers (CSB7021-XX)
- Agency Information:** UL File E62622

\*175 achieved using both studs in parallel, 115A using a single stud per line.



Dimensions - mm (in)

Part No.	A	B	C	D	E
C7021-01-X			37 (1.45)	49.5 (1.95)	15 (0.6)
C7021-02-X	17.5 (0.69)	-	54.4 (2.14)	67.3 (2.65)	31.8 (1.25)
C7021-03-X	34.9 (1.37)	-	70.9 (2.83)	84.8 (3.34)	49.2 (1.94)
C7021-04-X	52.3 (2.06)	-	89.3 (3.52)	102.2 (4.02)	66.7 (2.63)
C7021-05-X	69.8 (2.75)	-	106.8 (4.20)	119.7 (4.71)	84.2 (3.31)
C7021-06-X	87.2 (3.44)	-	124.2 (4.89)	134.1 (5.40)	101.7 (4.00)
C7021-01N-X					
C7021-02N-X	17.5 (0.69)	36.1 (1.42)	-	-	31.8 (1.25)
C7021-03N-X	34.9 (0.69)	53.5 (2.11)	-	-	49.2 (1.94)
C7021-04N-X	52.3 (2.06)	71.0 (2.80)	-	-	66.7 (2.63)
C7021-05N-X	69.8 (2.75)	88.4 (3.48)	-	-	84.2 (3.31)
C7021-06N-X	87.2 (3.44)	105.9 (4.17)	-	-	101.7 (4.00)



### Part Numbering System

Inches (Millimeters)

Series	Poles	Mount Ends	Studs	Hardware
<b>C7021</b>	- □ □	□	□ □ - □	□
	01 - 1 pole (2 studs) 02 - 2 pole (4 studs) 03 - 3 pole (6 studs) 04 - 4 pole (8 studs) 05 - 5 pole (10 studs) 06 - 6 pole (12 studs)	Blank - Mount ends N - No mount ends	Blank - Standard M6 - M6 studs	Blank - No hardware 0 - Bulk pack, one set 1 - Bulk pack, two sets 2 - Assembled, bottom 3 - Assembled, top 4 - Assembled, both sets



**Series C7024**

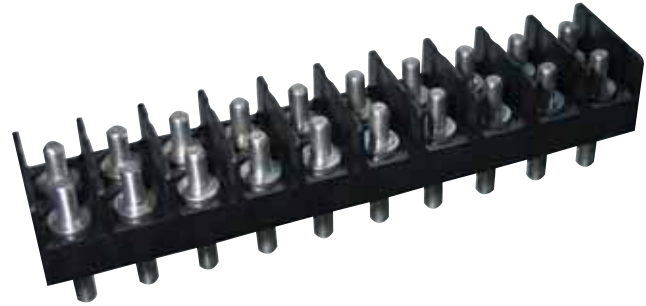
Power Feed Thru Terminal Block

**APPLICATIONS**

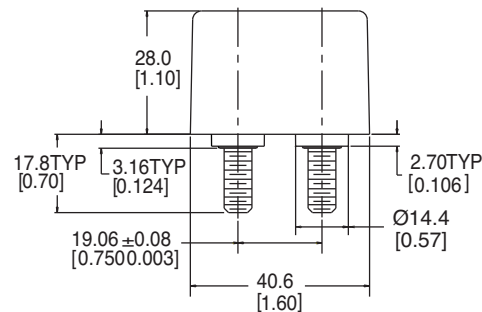
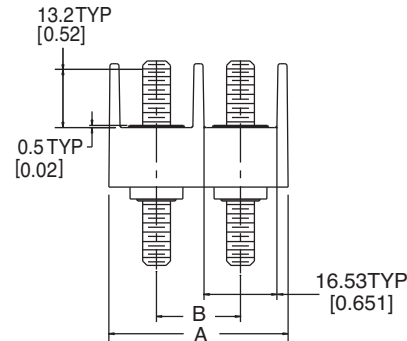
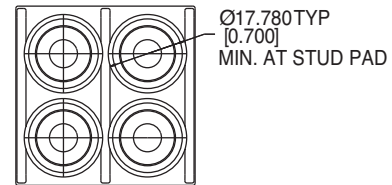
The C7024 terminal block is intended for use in applications requiring up to 115A utilizing a 2-hole compression lug on 3/4" centers. It is ideal for use as an input/output block for telecommunications power panels, or anywhere in which eliminating busbars would be an advantage.

**SPECIFICATIONS**

- Ratings:** 115A per pole, 600V.
- Center Spacing:** 0.75" (19.1mm)
- Material:** UL 94V0 Thermoplastic
- Wire Range:** AWG #28
- Number of Poles:** 1- to 12-poles
- Bolt Hole Spacing:** 0.75" (19.1mm)
- Stud:** Standard 1/4-28 stud
- Stud Material:** Tin-Plated Bronze.
- Torque Rating:** 36 lb-in
- Operating Temperature:** 130°C
- Agency Information:** UL File E62622



Dimensions - mm (in)



Part Number	"A" Dimension ±0.4(±0.02)	"B" Dimension
C7024-01	21.6(0.85)	-
C7024-02	40.6(1.60)	19.05±0.08(0.750±0.003)
C7024-03	59.7(2.35)	38.10(1.500)
C7024-04	78.7(3.10)	57.15±0.26(2.250±0.010)
C7024-05	97.8(3.85)	76.2(3.00)
C7024-06	116.8(4.60)	95.25±0.26(3.750±0.010)
C7024-07	135.9(5.35)	114.30±0.38(5.250±0.015)
C7024-08	154.9(6.10)	133.35±0.38(5.25±0.015)
C7024-09	174.0(6.85)	152.40±0.38(6.00±0.015)
C7024-10	193.0(7.60)	171.45±0.38(6.750±0.015)
C7024-11	212.1(8.35)	190.50±0.38(7.500±0.015)
C7024-12	231.1(9.10)	209.55±0.38(8.250±0.015)

**Part Numbering System**



Inches (Millimeters)

Terminal Blocks:  
Single & Double Row

EuroMag Series

Terminal Blocks:  
Base & Rail Mount

Power Distribution  
Blocks

Wire Management  
Products

Edge Connectors,  
One-Sided Boards

Compliance  
References

**Series 15133**

Depluggable PCB Mount  
Terminal Blocks

**SPECIFICATIONS**

- Rating:** 20A, 300V
- Center Spacing:** 0.375" or 3/8" (9.52mm)
- Wire Range:** #12-22 AWG
- Number of Poles:** 7- to 10-poles
- PC Board:** For soldering to PCB (.00015" tin over copper flash)
- Material:** Black, UL Rated 94V0 Thermoplastic
- Screws:** #6-32 zinc-plated steel SEMS
- Torque Rating:** 12 lb-in
- Terminals:** 15133-XX-10-X – Tin or gold plated brass  
15133-XX-20-X – Nickel-or gold-plated copper alloy plug terminal, tin-or gold-plated female terminal
- Operating Temperature:** 221°F (105°C)
- Agency Information:** UL File E62622

**APPLICATIONS**

The 15133 is a series of input/output circuit board connectors. Available in a 1-piece or 2-piece design, they stack side-by-side with self-aligning housings to prevent incorrect mating. Both designs feature an integral, living hinge cover that saves the labor of attaching a separate cover. The cover provides a dead front for prevention of electrical contact, yet it also has test probe holes for easy circuit testing.

The 1-piece design is for applications not requiring unplugging the connector. It solders to the printed circuit board. Molded stand-offs ensure good solderability.

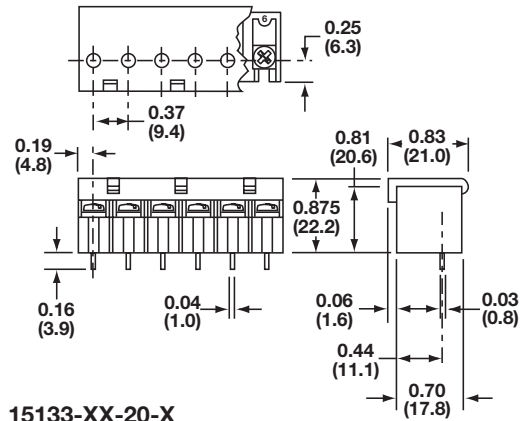
The 2-piece design enables quick connect and disconnect of several circuits at once. It allows fast board changing in the field without shutting down the entire system. The bottom section of the connector solders to the board. Male contacts are shrouded while the female has stand-offs; both are molded into the block. The top section of the connector plugs into the bottom section.



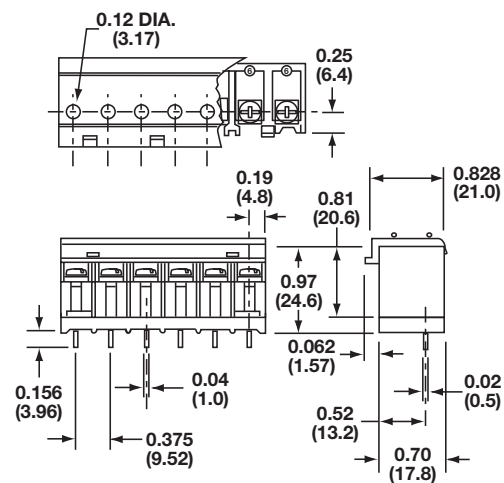
15133-06-20-T

**Dimensions - in (mm)**

**15133-XX-10-X**



**15133-XX-20-X**



**Part Numbering System**

Inches (Millimeters)

Series	Poles	Style	Mounting	Terminal Plating
15133	— □ □ 02 to 10	— □ 1 - One piece 2 - Two piece	□ — 0 - No mtg. holes	□ T - Tin G - Gold*

\* Consult Factory



**Series 1384X**

Edge Connectors -  
1 Sided Boards/Vertical Mount

**SPECIFICATIONS**

- Rating:** 10A, 250V
- Center Spacing:** 0.375" or 3/8" (9.52mm)
- Wire Range:** #14-22 AWG CU; entry to PC board at 90° angle.
- Number of Poles:** 4- to 16-poles
- PC Board:** Edge contact accepts standard 1/16" (0.0625) PCB.
- Contacts:** Cantilever design 0.02" thick phosphorus bronze with mating surface tin-plated (0.0002) over copper (0.00005).
- Terminals:** Pressure plate terminals.
- Material:** Black, UL Rated 94V0 Thermoplastic (125°C)
- Operating Temperature:** -55°C to 105°C (212°F)
- Agency Information:** CSA File 47235

13848-08G02B



13847-08T02B

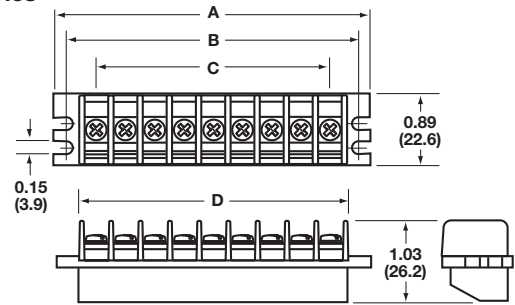


Poles	A	B	C	D
04	2.25	1.87	1.12	1.53
05	2.62	2.25	1.50	1.90
06	3.00	2.62	1.87	2.28
07	3.37	3.00	2.25	2.65
08	3.75	3.37	2.62	3.03
09	4.12	3.75	3.00	3.40
10	4.50	4.12	3.37	3.78
11	4.87	4.50	3.75	4.15
12	5.25	4.87	4.12	4.53
13	5.62	5.25	4.50	4.90
14	6.00	5.62	4.87	5.28
15	6.37	6.00	5.25	5.65
16	6.75	6.37	5.62	6.03

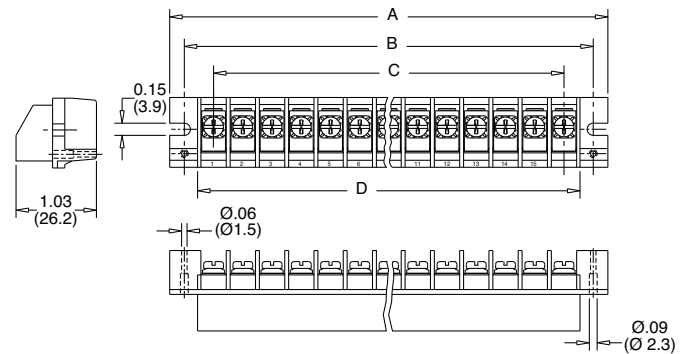
\* Dimensions in inches. To convert to millimeters, multiply by 25.4.  
Optional polarizing key (Part No. C5971) consult with factory.

**Dimensions - in (mm)**

**13847 Series**



**13848 Series**



**Part Numbering System** Inches (Millimeters)

Series	Block Style	Poles	Terminal Plating	Screw Style	Block Color	Special Options
1384	7 - Flat mtg. ears w/ 2 slots 8 - Mtg. ears w/2 standoffs with hole for mounting strip	04 to 16	T - Tin over copper G - Gold*	02 - #6-32 pan head. w/ SEMS wire clamp	B - Black	M - Marking strip

\* Consult Factory

Terminal Blocks:  
Single & Double Row

EuroMag Series

Terminal Blocks:  
Base & Rail Mount

Power Distribution  
Blocks

Wire Management  
Products

Edge Connectors,  
One-Sided Boards

Compliance  
References

**Series 15104**

Edge Connectors – 1 Sided Boards / Right Angle Mount

**SPECIFICATIONS**

**Rating:** 10A, 300V  
**Center Spacing:** 0.375" or 3/8" (9.52mm)  
**Wire Range:** #12-22 AWG CU  
**Number of Poles:** 6- to 28-poles  
**Screw Size:** #6-32  
**Torque Rating:** 12 lb-in  
**Terminals:** Pressure plate terminals with screws set at 45° or 90° angle  
**PC Board:** Edge contact accepts standard 1/16" (0.0625) PCB  
**Contacts:** Tuning fork design of 0.021" thick phosphorus bronze with 0.0001" bright tin-plating  
**Material:** Black, UL Rated 94V0 Thermoplastic  
**Operating Temperature:** 95°C max.  
**Agency Information:** UL File E62622, CSA File 47235



15104-061T1

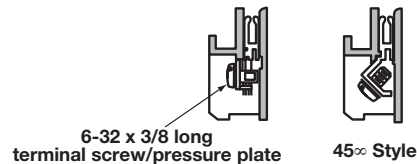
Poles	A	B	C	D	E	Board Width
06	3.00	2.62	2.00	2.16	2.36	1.99
08	3.75	3.37	2.75	2.91	3.11	2.74
10	4.50	4.12	3.50	3.66	3.86	3.49
12	5.25	4.87	4.25	4.41	4.61	4.24
14	6.00	5.62	5.00	5.16	5.36	4.99
16	6.75	6.37	5.75	5.91	6.11	5.74
18	7.50	7.12	6.50	6.66	6.86	6.49
20	8.25	7.87	7.25	7.41	7.61	7.23
22	9.00	8.62	8.00	8.16	8.36	7.98
24	9.75	9.37	8.75	8.91	9.11	8.73
26	10.50	10.12	9.50	9.66	9.86	9.48
28	11.25	10.87	10.25	10.41	10.61	10.23

**Dimensions - in (mm)**

**15104 Series**



Tolerance plus or minus 1/64 (0.4)



\* Dimensions in inches. To convert to millimeters, multiply by 25.4.  
 Integral standoffs for mounting marker strips - consult factory.

**Part Numbering System**

Series	Poles	Terminal	Plating	Screw
15104	— □□ 06 to 28 (Increments of 2)	□ 1 - 90° angle 2 - 45° angle	□ T - Tin G - Gold*	□ 1 - #6-32 pan head. w/wire clamp

\* Consult Factory

## Cooper Bussmann Compliance References

### UL1059 & CSA 22.2 No. 158 Voltage Rating

Voltage ratings of terminal blocks are based on the minimum spacing between electrically conductive parts and a minimum withstand voltage. The spacings are measured under two conditions: 1) through air, defined as the shortest distance an arc must travel through an air path from one electrically conductive part to another at opposite polarity or from an electrically conductive part to a grounded surface; and 2) over surface, defined as the shortest distance an arc must travel as it tracks along the surface of an insulating material from one electrically conductive part to another at opposite polarity or from an electrically conductive part to a grounded surface. The withstand voltage, termed dielectric withstand, is dependent on the voltage rating. The value is 1000V plus twice the rated voltage for one minute. This is tested under both conditions listed above. The following chart shows the UL 1059 and CSA 22.2 No. 158 spacing requirements, in inches.

### IEC Compliance

Some Magnum Terminal Blocks comply with the requirements in IEC Publication 60947-7-1 Terminal Blocks for Copper Conductors. These blocks are concurrently recognized and certified under the UL Classification Program. Ratings, except where indicated, are concurrent with UL 1059.

### CE

In 1998, Cooper Bussmann received CE certification on all Magnum products. For terminal blocks, CE is a self-certification mark applied to products that have met safety and performance requirements set forth by the European Union (EU). This mark is required for free movement of product in the European market.

Application	Voltage Rating	Spacing Through Air	Spacing Over Surface
<b>CLASS A</b> Service equipment, including dead-front switchboards, panelboards, service entrance devices, etc.	51 - 150	0.50	0.75
	151 - 300	0.75	1.25
	301 - 600	1.00	2.00
<b>CLASS B</b> Commercial appliances, including business equipment, electronic data processing equipment, etc.	51 - 150	0.06	0.06
	151 - 300	0.09	0.09
	301 - 600	0.38	0.50
<b>CLASS C</b> General industrial, including machine tool controls, which can further be defined as equipment governed by UL508.	51 - 150	0.13	0.25
	151 - 300	0.25	0.38
	301 - 600	0.38	0.50
<b>CLASS D</b> Industrial devices having limited ratings.	51 - 300	0.06	0.13
	301 - 600	0.19	0.38

Magnum Series	CLASS A			CLASS B			CLASS C			CLASS D	
	51-150 Volts	151-300 Volts	301-600 Volts	51-150 Volts	151-300 Volts	301-600 Volts	51-150 Volts	151-300 Volts	301-600 Volts	51-300 Volts	301-600 Volts
A/CB1000					X		X			X	
A/CB2000					X			X			
LP2000					X		X				
A/CB3000						X			X		
LP3000					X		X				
A/B4000	X					X			X		
A/CB5000					X		X			X	
7000				X			X				
TB100					X		X			X	
TB200					X			X			X
TB200HB						X			X		X
TB300						X			X		X
TB400						X			X		

Terminal Blocks:  
Single & Double Row

EuroMag Series

Terminal Blocks:  
Base & Rail Mount

Power Distribution  
Blocks

Wire Management  
Products

Edge Connectors,  
One-Sided Boards

Compliance  
References