

# Connectors

## Section Contents

Page

### Rail mount terminal blocks

NDN Series 35mm DIN rail mount blocks . . . . .	304-305
N512-BK 12-Pole block . . . . .	306
NFT2-WH 2-Pole block . . . . .	306
NFT3-__ 3-pole block . . . . .	306
NC3-WH 3-Pole block . . . . .	307
NSE3-WH 3-Pole block . . . . .	307
NSS3-WH 3-Pole block . . . . .	307

### Rail mount disconnect terminal blocks

15188 Series 3- and 4-Pole blocks . . . . .	308
15288 Series 3-Pole block . . . . .	308

### Sectional terminal blocks

PLU3-__ 3-Pole block . . . . .	309
PLU1-WH 1- to 3-Pole block . . . . .	309
PSU1-WH 1- to 3-Pole block . . . . .	309
KT3-WH 3-Pole block . . . . .	310
KT4-WH 4-Pole block . . . . .	310
PLK-3__ 3-Pole block . . . . .	310

### Quick-connect terminal blocks

NTQ23-WH 3-Pole block . . . . .	311
BNQ21-WH 1-Pole block . . . . .	311
BQQ41-WH 1-Pole block . . . . .	311

### Double row terminal blocks

Series TB100 2- to 36-Pole blocks . . . . .	312-313
Series TB200 & TB200HB 2- to 30-Pole blocks . . . . .	314-315
Series TB300 & TB345 2- to 24-Pole blocks . . . . .	298-299

### Marking options and covers for double row series . . . . .

Top & bottom marking strips for double row terminal blocks . . . . .	319
--	-----

### Series TB400 2- to 12-Pole double row terminal blocks . . . . .

Series KU 2- to 12-Pole base mount double row terminal blocks . . . . .	321
---	-----

### Series TS finger-safe terminal blocks

2- to 12-Pole standard base . . . . .	322
2- to 12-Pole flat base . . . . .	323
2- to 12-Pole raised base . . . . .	324



## Rail Mount Terminal Blocks

### NDN Series

#### Specifications

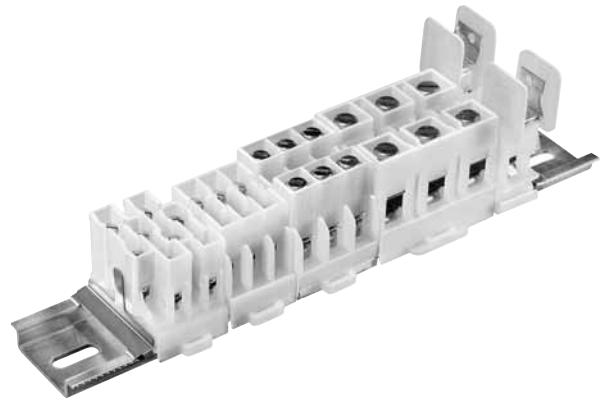
**Description:** High-density, snap-on 35mm DIN rail compatible rail mount terminal blocks.

**Construction:** Unique, impact resistant, one-piece thermoplastic moldings. Heat treated stainless steel collars (to secure wires). Tin-plated copper alloy terminals. Zinc-plated steel screws.

**Circuits Per Foot:** Up to 48 circuits per foot.

**Agency Information:** CE, UL E62622; CSA LR15364.

**Flammability Rating:** UL 94V2



#### NDNV4-\_\_ \_\_ (color)

##### Specifications

**Description:** Rail mount terminal block.

**Rating:** NDNV4 30A, 600V

**Center Spacing:** 0.25" (6.35mm)

**Number of Poles:** 4

**Circuits Per Foot:** 48

**Circuit Jumper:** JN4, 4 circuits

**Wire Range:** AWG #10-22 CU

**Screw Size:** #6-32

**Mounting Options:** 35mm DIN rail, C-rail

**Marking Tape:** MTC6

**Torque Rating:** 18 lb-in

**Operating Temperature:** 105°C

**Agency Information:** UL File E62622, CSA File 15364.

##### Catalog Numbers

###### Catalog

Numbers	Colors
NDNV4-WH	White (Standard)
NDNV4-BK	Black
NDNV4-YE	Yellow



#### NDN3-\_\_ \_\_ (color)

##### Specifications

**Description:** Rail mount terminal block.

**Rating:** 30A - field wiring; 40A - factory wiring 600V

**Center Spacing:** 0.300" (7.62mm)

**Number of Poles:** 3

**Circuits Per Foot:** 38

**Circuit Jumper:** JNDN3, 2 circuits

**Wire Range:** AWG #10-22 CU

**Screw Size:** #6-32

**Mounting Options:** 35mm DIN rail, C-rail

**Marking Tape:** MT12-1-2

**Torque Rating:** 18 lb-in

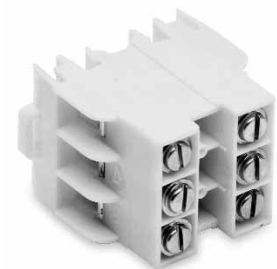
**Operating Temperature:** 105°C

**Agency Information:** UL File E62622, CSA File 15364.

##### Catalog Numbers

###### Catalog

Numbers	Colors
NDN3-WH	White (Standard)
NDN3-BK	Black
NDN3-BL	Blue
NDN3-RE	Red
NDN3-YE	Yellow



#### NDN63-\_\_ \_\_ (color)

##### Specifications

**Description:** Rail mount terminal block.

**Rating:** 65A, 600V

**Center Spacing:** 0.375" (9.52mm)

**Number of Poles:** 3

**Circuits Per Foot:** 30

**Circuit Jumper:** JN3, 2 circuits

**Wire Range:** AWG #6-18 CU

**Screw Size:** #10-32

**Mounting Options:** 35mm DIN rail, C-rail

**Marking Tape:** MT12-1-2

**Torque Rating:** 35 lb-in

**Operating Temperature:** 105°C

**Agency Information:** UL File E62622, CSA File 15364.

##### Catalog Numbers

###### Catalog

Numbers	Colors
NDN63-WH	White (Standard)
NDN63-BK	Black
NDN63-YE	Yellow

## Rail Mount Terminal Blocks

### NDN1-WH

#### Specifications

**Description:** Rail mount terminal block.

**Rating:** 90A, 600V

**Center Spacing:** 0.635" (16.13mm)

**Number of Poles:** 1

**Circuits Per Foot:** 18

**Wire Range:** AWG #2-18 Cu

**Screw Size:** #1/4-28

**Mounting Options:** 35mm DIN rail, C-rail

\* Dove-tail option is available for mounting side-by-side.

Order part no. NDN1A-WH

**Marking Tape:** MT12-1-2

**Torque Rating:** 32 lb-in

**Operating Temperature:** 105°C

**Agency Information:** UL File E62622, CSA File 47235



#### Catalog Numbers

##### Catalog

Number	Color
NDN1-WH	White

### NDN111-\_\_ \_\_(color)

#### Specifications

**Description:** Rail mount terminal block.

**Rating:** 90A, 600V

**Center Spacing:** 0.635" (16.13mm)

**Number of Poles:** 3

**Circuits Per Foot:** 18

**Circuit Jumper:** JN1, 2 circuits

**Wire Range:** AWG #2-18 Cu

**Screw Size:** #1/4-28

**Mounting Options:** 35mm DIN rail, C-rail, Base Mount

\* Dove-tail option is available for mounting side-by-side.

Order part no. NDN111-A

**Marking Tape:** MT12-1-2

**Torque Rating:** 32 lb-in

**Operating Temperature:** 105°C

**Agency Information:** UL File E62622, CSA File 47235

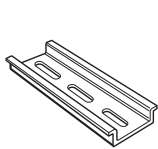


#### Catalog Numbers

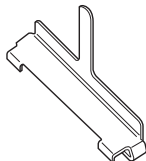
##### Catalog

Numbers	Colors
NDN111-WH	White (Standard)
NDN111-BK	Black
NDN111-BL	Blue
NDN111-RE	Red
NDN111-YE	Yellow
NDN111A-WH	White
NDN111A-BK	Black (Standard)
NDN111A-YE	Yellow

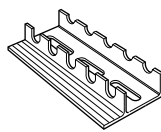
### NDN Series Terminal Block Accessories



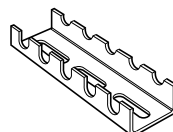
**NDNA**  
35mm DIN Rail  
Aluminum  
NDNA 100 1 meter  
NDNA 200 2 meters



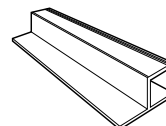
**NDNAS**  
35mm DIN Rail  
End Stop



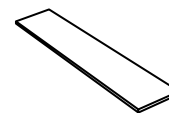
**NFTA**  
C-Rail  
Aluminum  
Lengths to 72"



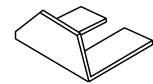
**NRA**  
C-Rail  
Low Profile  
No Flange  
Aluminum  
Lengths to 37-1/2"



**SOA72**  
72" Long  
Stand-Off Channel  
For C-Rail



**MARKING TAPE**  
See Series  
Specifications



**JUMPERS**  
See Series  
Specifications

# Rail Mount Terminal Blocks

## N512-BK

### Specifications

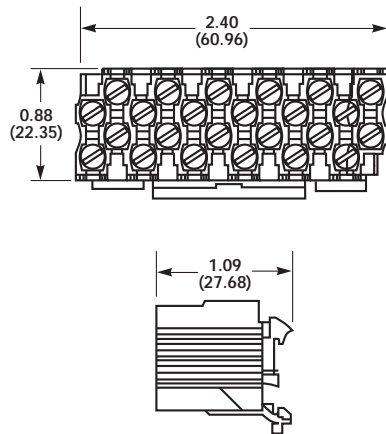
**Description:** Rail mount terminal block.  
**Rating:** 5A, 600V; 20A, 300V  
**Center Spacing:** 0.197" (5.00mm)  
**Number of Poles:** 12  
**Circuits Per Foot:** 60  
**Circuit Jumper:** JN512, 12 circuits  
**Wire Range:** AWG #12-22 Cu  
**Screw Size:** #4-48  
**Mounting Options:** C-rail, 15mm DIN rail  
**Marking Tape:** AT512  
**Torque Rating:** 12 lb-in  
**Operating Temperature:** 105°C  
**Agency Information:** CSA File 15364.



### Catalog Numbers

Catalog Number	Color
N512-BK	Black

Dimensions - in (mm)



## NFT2-\_\_ \_\_ (color)

### Specifications

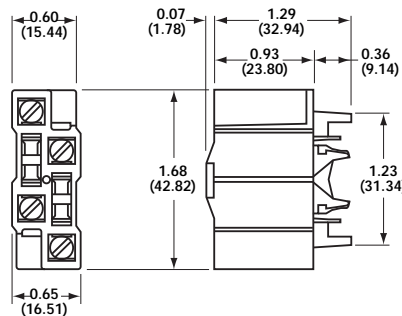
**Description:** Rail mount terminal block.  
**Rating:** 40A, 600V; 55A Factory Wired  
**Center Spacing:** 0.281" (7.13mm)  
**Number of Poles:** 2  
**Circuits Per Foot:** 38  
**Circuit Jumper:** JN2, 2 circuits  
**Wire Range:** AWG #8-22 Cu  
**Screw Size:** #8-32  
**Mounting Options:** C-rail  
**Marking Tape:** MT12-1-2  
**Torque Rating:** 18 lb-in  
**Operating Temperature:** 105°C  
**Agency Information:** UL File E62622, CSA File 15364.



### Catalog Numbers

Catalog Numbers	Colors
NFT2-WH	White
NFT2-BK	Black
NFT2-BL	Blue
NFT2-RE	Red

Dimensions - in (mm)



## NFT3-\_\_ \_\_ (color)

### Specifications

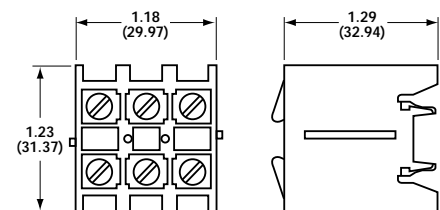
**Description:** Rail mount terminal block.  
**Rating:** 40A, 600V; 55A Factory Wired  
**Center Spacing:** 0.390" (9.91 mm)  
**Number of Poles:** 3  
**Circuits Per Foot:** 28  
**Circuit Jumper:** JN3, 2 circuits  
**Wire Range:** AWG #8-22 Cu  
**Screw Size:** #8-32  
**Mounting Options:** C-rail  
**Marking Tape:** MT12-1-2  
**Torque Rating:** 18 lb-in  
**Operating Temperature:** 105°C  
**Agency Information:** UL File E62622, CSA File 47235.



### Catalog Numbers

Catalog Numbers	Colors
NFT3-WH	White (Standard)
NFT3-BK	Black
NFT3-BL	Blue
NFT3-RE	Red
NFT3-YE	Yellow

Dimensions - in (mm)



# Rail Mount Terminal Blocks

## NC3-\_\_ \_\_ (color)

### Specifications

**Description:** Rail mount terminal block.

**Rating:** 175A, 600V

**Center Spacing:** 1.06" (26.92mm)

**Number of Poles:** 3

**Circuits Per Foot:** 11

**Wire Range:** 2/0-#14 Cu/Al

**Screw Size:** 5/16-24

**Mounting Options:** C-rail, Base Mount

**Marking Tape:** MT12-1-2

**Torque Rating:** 45 lb-in

**Operating Temperature:** 105°C

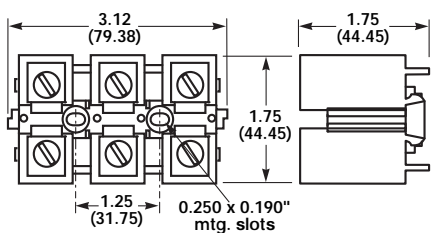
**Agency Information:** UL File E62622, CSA File 15364.



### Catalog Numbers

Number	Color
NC3-WH	White
NC3-BK	Black

Dimensions - in (mm)



## NSE3-WH

### Specifications

**Description:** Rail mount terminal block.

**Rating:** 115A, 600V

**Center Spacing:** 1.06" (26.92mm)

**Number of Poles:** 3

**Circuits Per Foot:** 11

**Circuit Jumper:** JNSE3, 2 circuits

**Wire Range:** For use with wire crimped to ring terminal

**Screw Size:** #1/4-28

**Mounting Options:** C-rail, Base Mount

**Marking Tape:** MT12-1-2

**Torque Rating:** 32 lb-in

**Operating Temperature:** 105°C

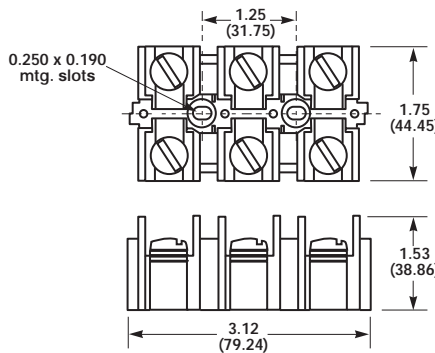
**Agency Information:** UL File E62622, CSA File 15364.



### Catalog Numbers

Number	Color
NSE3-WH	White

Dimensions - in (mm)



## NSS3-\_\_ \_\_ (color)

### Specifications

**Description:** Rail mount terminal block.

**Rating:** 30A, 600V

**Center Spacing:** 0.385" (9.77mm)

**Number of Poles:** 3

**Circuits Per Foot:** 28

**Circuit Jumper:** JNSS3, 2 circuits

**Wire Range:** For use with wire crimped to ring terminal

**Screw Size:** #6-32

**Mounting Options:** C-rail

**Marking Tape:** MT12-1-2

**Torque Rating:** 12 lb-in

**Operating Temperature:** 105°C

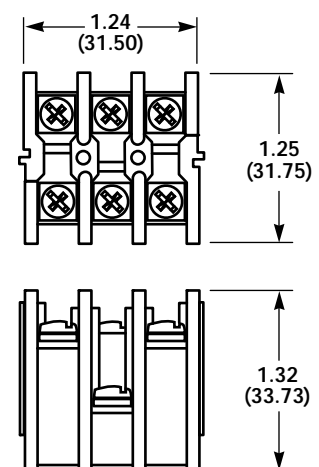
**Agency Information:** UL File E62622, CSA File 15364.



### Catalog Numbers

Number	Color
NSS3-WH	White
NSS3-BK	Black

Dimensions - in (mm)



Connectors

# Rail Mount Disconnect Terminal Blocks

## 15188 Series

**Specifications**

**Description:** Disconnect terminal blocks for 35mm DIN rail mount.

**Rating:** 30A, 600V\*

**Center Spacing:** 0.375" (9.52mm)

**Wire Range:** #12-16 AGW Cu

**Screw Size:** #6-32 zinc-plated phillslot

**Number of Poles:** 3- and 4-pole only

**Mounting:** 35mm DIN Rail

Optional End Stop NDNAS

**Jumpers:** 2- through 4-pole available

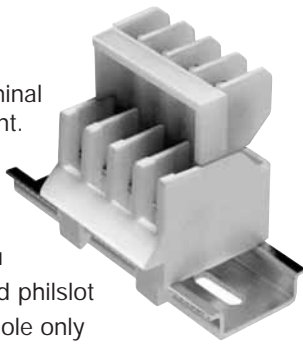
**Materials:** Molded Base: UL rated 94V-2 thermoplastic. Tin plated copper alloy contacts.

**Torque Rating:** 12 lb-in

**Operating Temperature:** 105°C

**Agency Information:** UL File E62622, CSA File 47235.

\* 30A rating achieved with #10AWG wire crimped to ring terminal; 25A without.



## 15288 Series

**Specifications**

**Description:** Disconnect terminal blocks for 35mm DIN rail mount.

**Rating:** 65A, 600V\*

**Center Spacing:** 0.54" (13.7mm)

**Wire Range:** #6-16 AWG

**Screw Size:** #8-32 zinc-plated phillslot

**Number of Poles:** 3-pole only

**Mounting:** 35mm DIN Rail

**Optional Accessories:** Optional End Stop NDNAS (order optional accessories separately)

**Materials:** Molded Base: UL rated 94V2 thermoplastic. Tin-plated copper alloy contacts.

**Torque Rating:** 20 lb-in (30 lb-in for 8AWG bare wire)

**Operating Temperature:** 105°C (221°F)

**Agency Information:** UL File E62622

\*CSA rating achieved with #6 AWG wire crimped to ring terminal 50A without.

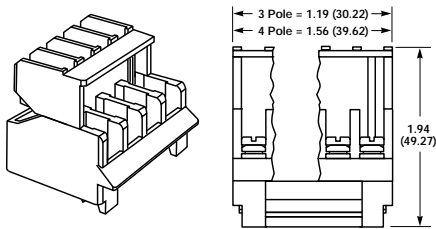


Catalog Number Build-A-Code

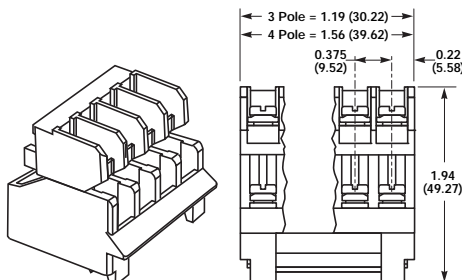
Series	Poles	Wiring	Options
15188	- <input type="checkbox"/>	<input type="checkbox"/>	<input type="checkbox"/>
	3 to 4	Blank = In-line R = Reverse	S = Locking Snap

**Dimensions - in (mm)**

In-Line Wiring Direction



Reverse Wiring Direction



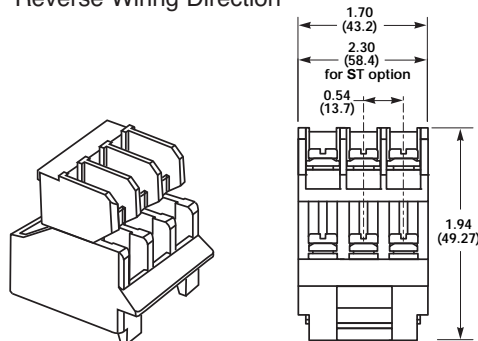
Catalog Number Build-A-Code

Series	Poles	Wiring	Options**
15288	- <input type="checkbox"/>	<input type="checkbox"/>	<input type="checkbox"/> <input type="checkbox"/> <input type="checkbox"/> <input type="checkbox"/>
	3	Blank = In-line R = Reverse	S = Snap ST = Screw Together SS = Solid DIN Rail Snap

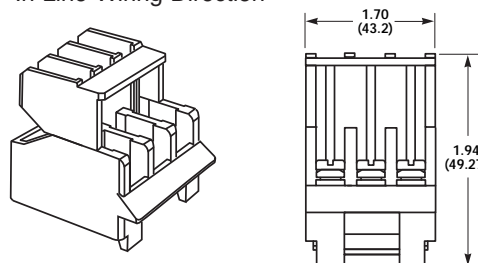
\*\*Options can be combined, e.g. STSS

**Dimensions - in (mm)**

Reverse Wiring Direction



In-Line Wiring Direction





## Sectional Terminal Blocks

### PLU3-\_(color)

#### Specifications

##### Description:

Depluggable rail mount sectional terminal block.

**Rating:** 40A, 600V

**Center Spacing:** 0.390" (9.91mm)

**Number of Poles:** 3

**Circuits Per Foot:** 28

**Circuit Jumper:** JN3, 2 circuits

**Wire Range:** AWG #8-22 Cu

**Screw Size:** #8-32

**Mounting Options:** C-rail, Stackable

**Marking Tape:** MT12-1-2

**Torque Rating:** 18 lb-in

**Operating Temperature:** 105°C

**Agency Information:** UL File E62622, CSA File 15364.

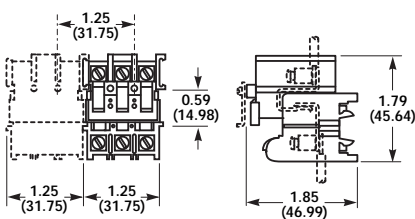


#### Catalog Numbers

##### Catalog

Number	Color
PLU3-WH	White (Standard)
PLU3-BK	Black
PLU3-YE	Yellow

#### Dimensions - in (mm)



### PLU1-WH

#### Specifications

##### Description:

Depluggable rail mount sectional terminal block.

**Rating:** 70A, 600V

**Center Spacing:** 0.625" (15.88mm)

**Number of Poles:** 1-3

**Part Numbers:**

- PLU1 (1-pole)
- PLU11 (2-pole)
- PLU111 (3-pole)

**Circuits Per Foot:** 19

**Circuit Jumper:** JN1, 2 circuits

**Wire Range:** AWG #4-18 Cu

**Screw Size:** #1/4-28

**Mounting Options:** C-rail, Stackable

**Marking Tape:** MT12-1-2

**Torque Rating:** 32 lb-in

**Operating Temperature:** 105°C

**Agency Information:** UL File E62622, CSA File 15364.

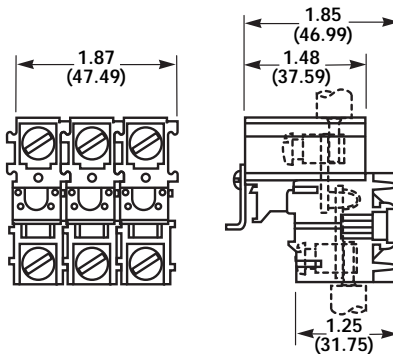


#### Catalog Numbers

##### Catalog

Number	Poles	Color
PLU1-WH	1	White
PLU11-WH	2	White
PLU111-WH	3	White

#### Dimensions - in (mm)



### PSU1-WH

#### Specifications

##### Description:

Depluggable rail mount sectional terminal block.

**Rating:** 45A\*, 600V

\*45A rating achieved with ring terminal crimped to wire.

**Center Spacing:** 0.625" (15.88 mm)

**Number of Poles:** 1-3

**Part Number:**

- PSU1 (1-pole)
- PSU11 (2-pole)
- PSU111 (3-pole)

**Circuits Per Foot:** 19

**Wire Range:** For use with crimp on connectors only.

**Screw Size:** #10-32

**Mounting Options:** C-rail, Stackable

**Marking Tape:** MT12-1-2

**Torque Rating:** 24 lb-in

**Operating Temperature:** 105°C

**Agency Information:** UL File E62622, CSA File 15364

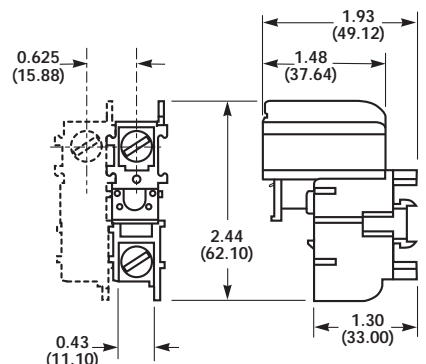


#### Catalog Numbers

##### Catalog

Number	Poles	Color
PSU1-WH	1	White
PSU11-WH	2	White
PSU111-WH	3	White

#### Dimensions - in (mm)



## Sectional Terminal Blocks

### KT3-\_\_ (color)

#### Specifications

##### Description:

Depluggable rail mount sectional terminal block.

Rating: 40A, 600V

Center Spacing: 0.390" (9.91mm)

Number of Poles: 3

Circuits Per Foot: 28

Circuit Jumper: JN3, 2 circuits

Wire Range: AWG #8-22 Cu

Screw Size: #8-32

Mounting Options: Base Mount, Stackable

Marking Tape: MT12-1-2

Torque Rating: 18 lb-in

Operating Temperature: 105°C

Agency Information: UL File E62622, CSA File 15364

#### Catalog Numbers

##### Catalog

Number	Color
KT3-WH	White
KT3-BK	Black
KT3-RE	Red



### KT4-\_\_ (color)

#### Specifications

##### Description:

Depluggable rail mount sectional terminal block.

Rating: 30A, 600V

Center

Spacing: 0.25" (6.35mm)

Number of Poles: 4

Part Number:

- KT4-WH-A
- KT4-WH-B

Note: When used in series must order A and B

Circuits Per Foot: 48

Circuit Jumper: JN4, 4 circuits

Wire Range: AWG #10-22 Cu

Screw Size: #6-32

Mounting Options: Base Mount

Mounting screws recommended every 12 circuits

Marking Tape: MTC6

Torque Rating: 18 lb-in

Operating Temperature: 105°C

Agency Information: UL File E62622, CSA File 15364

#### Catalog Numbers

##### Catalog

Number	Color
KT4-WH	White
KT4-BK	Black



### PLK3-WH

#### Specifications

##### Description:

Depluggable rail mount sectional terminal block.

Rating: 40A, 600V

Center

Spacing: 0.39" (9.91mm)

Number of Poles: 3

Circuits Per Foot: 28

Circuit Jumper: JN3, 2 circuits

Wire Range: AWG #8-22 Cu

Screw Size: #8-32

Mounting Options: Base Mount, Stackable; End Piece (Part No. KAD) is required for mounting. Mounting screws recommended every 15 circuits.

Marking Tape: MT12-1-2

Torque Rating: 18 lb-in

Operating Temperature: 105°C

Agency Information: UL File E62622

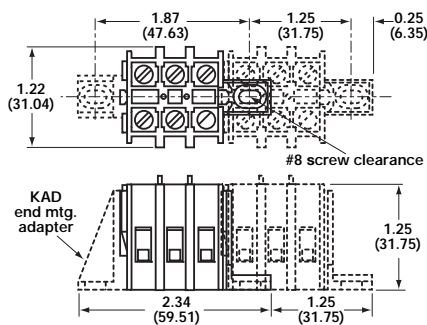
#### Catalog Numbers

##### Catalog

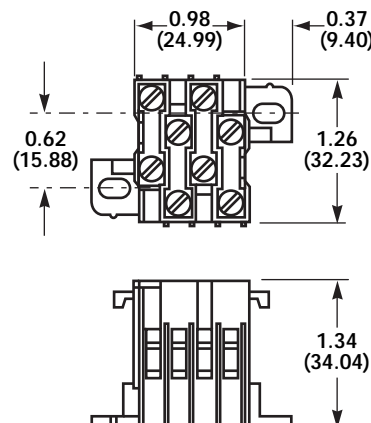
Number	Color
PLK3-WH	White



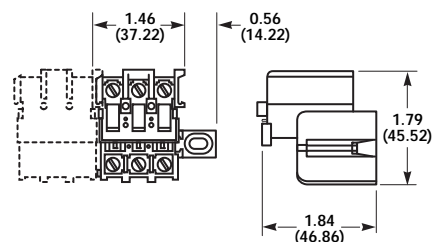
Dimensions - in (mm)



Dimensions - in (mm)



Dimensions - in (mm)





## Quick-connect Terminal Blocks

### NTQ23-WH

#### Specifications

##### Description:

Quick-connect terminal block.

**Rating:** 40A, 600V

**Center Spacing:** 0.390" (9.91mm)

**Number of Poles:** 3

**Circuits Per Foot:** 28

**Wire Range:** AWG #8-22 Cu

**Screw Size:** #8-32

**Quick Connects:** 0.250" x 0.031"

**Mounting Options:** C-rail

**Marking Tape:** MT12-1-2

**Torque Rating:** 18 lb-in

**Operating Temperature:** 105°C.

#### Catalog Numbers

##### Catalog

Number	Color
NTQ23-WH	White



### BNQ21-WH

#### Specifications

**Description:** Quick-connect terminal block.

**Rating:** 40A, 600V

**Center Spacing:** 0.437" (11.10mm)

**Number of Poles:** 1

**Circuits Per Foot:** 24

**Wire Range:** AWG #8-22 Cu

**Screw Size:** #8-32

**Quick Connects:** 0.250" x 0.031"

**Mounting Options:** Base Mount Stackable; End Piece (Part No. BQE) is required for mounting. Mounting screws recommended every 8 circuits.

**Torque Rating:** 18 lb-in

**Operating Temperature:** 105°C

**Screw Size:** #8-32

**Agency Information:** UL File E62622, CSA File 15364

#### Catalog Numbers

##### Catalog

Number	Color
BNQ21-WH	White



### BQQ41-WH

#### Specifications

##### Description:

Quick-connect terminal block.

**Rating:** 30A, 600V

**Center Spacing:** 0.437" (11.10mm)

**Number of Poles:** 1

**Circuits Per Foot:** 24

**Wire Range:** For use with quick-connect terminals only.

**Quick Connects:** 0.250" x 0.031"

**Mounting Options:** Base Mount, Stackable; End Piece (Part No. BQE) is required for mounting. Mounting screws recommended every 8 circuits.

**Operating Temperature:** 105°C

**Agency Information:** UL File E62622, CSA File 15364

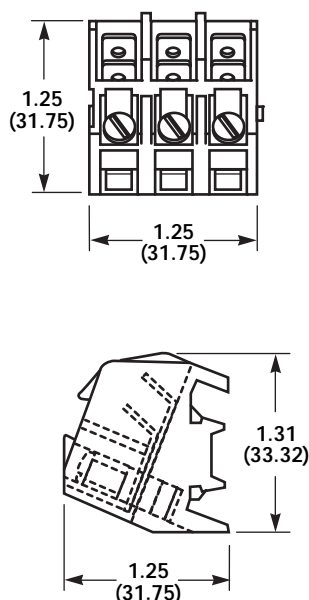
#### Catalog Numbers

##### Catalog

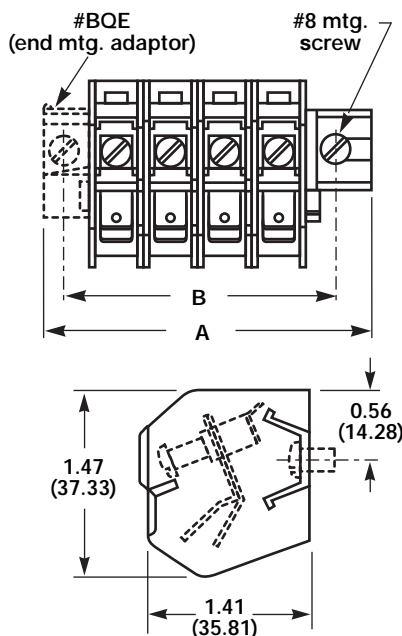
Number	Color
BQQ41-WH	White



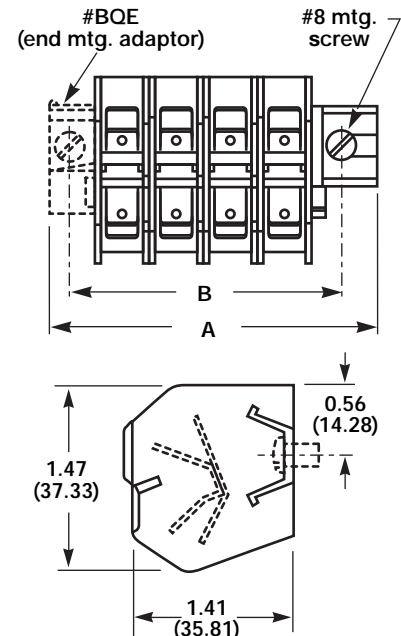
Dimensions - in (mm)



Dimensions - in (mm)



Dimensions - in (mm)



## Double Row Terminal Blocks

### Series TB100

#### Specifications

**Description:** Double row terminal blocks.

**Rating:** 30A, 300V\*

**Center Spacing:** 0.375" or 3/8" (9.52mm)

**Wire Range:** #14 - 22 AWG Cu

**Screw Size:** #6-32 phillslot screws

**Torque Rating:** 9 lb-in.

**Distance Between Barriers:** 0.30" (7.62mm)

**Mounting:** #6 screws

**Operating Temperature:** 130°C (266°F) max., -40°C (-40°F) min.

**Materials:** Molded base: Black, UL rated 94V0 thermoplastic

Terminal plating: Tin over brass; Screws: Zinc-plated steel

**Breakdown Voltage:** 3600V

**Agency Information:** UL File E62622/CSA File 47235; IEC Compliance; CE Certified

\* Max rating shown; some options may be rated lower, consult Cooper Bussmann.



TB100-08



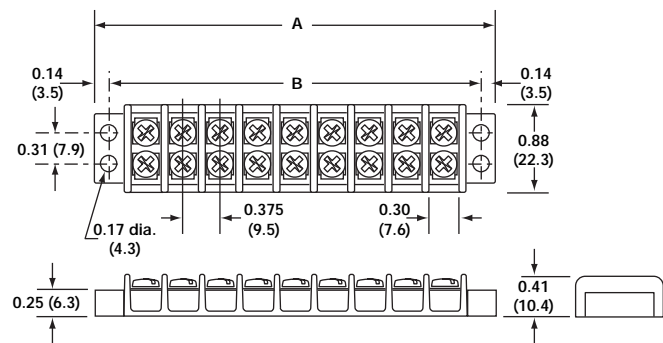
TB100-04SP

#### Dimensions - in

Poles	A	B	Poles	A	B	Poles	A	B
02	1.40	1.12	14	5.90	5.62	26	10.40	10.12
03	1.78	1.50	15	6.28	6.00	27	10.78	10.50
04	2.16	1.88	16	6.66	6.38	28	11.16	10.88
05	2.53	2.25	17	7.03	6.75	29	11.53	11.25
06	2.90	2.62	18	7.40	7.12	30	11.90	11.62
07	3.28	3.00	19	7.78	7.50	31	12.28	12.00
08	3.66	3.38	20	8.16	7.88	32	12.66	12.38
09	4.03	3.75	21	8.53	8.25	33	13.03	12.75
10	4.40	4.12	22	8.90	8.62	34	13.40	13.12
11	4.78	4.50	23	9.28	9.00	35	13.78	13.50
12	5.16	4.88	24	9.66	9.38	36	14.16	13.88
13	5.53	5.25	25	10.03	9.75			

1" = 25.4mm.

TB100- in (mm)

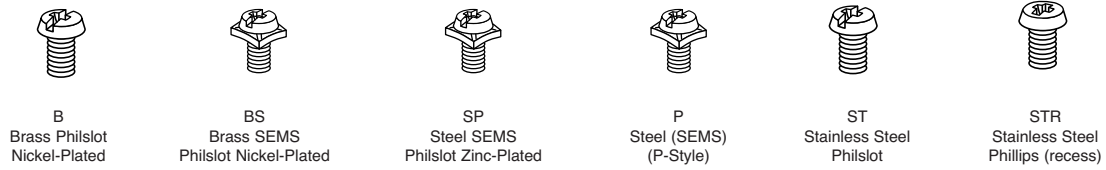


#### Catalog Number Build-A-Code

Series	Poles	Screw Options	Marking/Cover	Hardware Options
TB100	□ □ 02 to 36	□ □ □ Blank = Steel phillslot, zinc-plated 00 = Screws shipped bulk B = Brass phillslot, nickel-plated BS = Brass Sems phillslot, nickel-plated SP = Steel Sems phillslot, zinc-plated P = Steel Sems (P-style) ST = Stainless steel, phillslot STR = Stainless steel, phillips (recess)	□ □ L1 to L6 Marking Strips (See page 318) Special Markings (See page 318) Covers (See page 318)	□ □ □ □ QC1 to QC20 = Quick connects J101 = Flat slip-on jumper (2 position only) OJ2 = Over barrier jumpers OJ4 = Over barrier jumpers

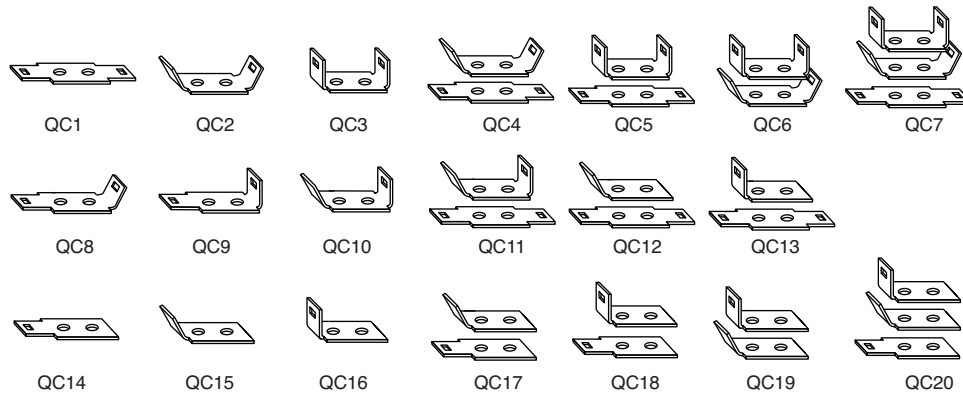
## Double Row Terminal Blocks

### Screw Options

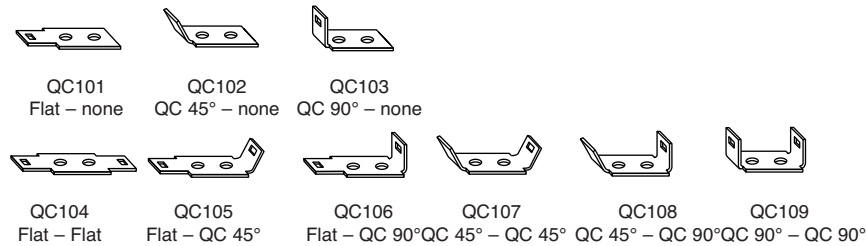


### Hardware Options

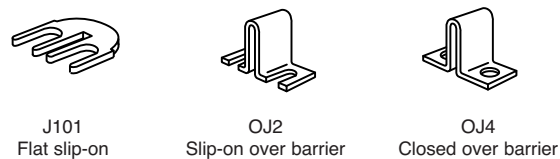
**Quick Connects – Assembled:** Terminals 0.187" x 0.020". Maximum current rating 13 amps. For other orientations, contact Cooper Bussmann.



**Quick Connects – Bulk:** minimum order per part number – 100 pieces.



**Jumpers – Bulk:** minimum order per part number – 100 pieces. Contact Cooper Bussmann for jumper assembly.



## Double Row Terminal Blocks

### Series TB200 & TB200HB

#### Specifications

**Description:** Double row terminal blocks.

#### Ratings:

Volts: — 300V\* (TB200)  
— 600V\* (TB200HB)

Amps: — 30A\*

**Center Spacing:** 0.437" or 7/16" (11.10mm)

**Wire Range:** #12 - 22 AWG Cu

**Screw Size:** #6-32 phillslot screws

**Torque Rating:** 9 lb-in.

**Distance Between Barriers:** 0.353" (8.97mm)

**Mounting:** #6 screws

**Operating Temperature:** 130°C (266°F) max., -40°C (-40°F) min.

**Materials:** Molded base: Black, UL rated 94V0 thermoplastic

Terminal plating: Tin over brass; Screws: zinc-plated steel

**Breakdown Voltage:** 4800V

**Agency Information:** UL File E62622, CSA File 47235 & 15364; IEC Compliance; CE Certified

\* Max rating shown; some options may be rated lower - consult factory.

#### Dimensions - in

Poles	A	B	Poles	A	B	Poles	A	B
02	1.63	1.31	12	6.00	5.68	22	10.37	10.06
03	2.07	1.75	13	6.44	6.12	23	10.81	10.50
04	2.51	2.18	14	6.87	6.56	24	11.25	10.93
05	2.94	2.62	15	7.31	7.00	25	11.68	11.37
06	3.38	3.06	16	7.75	7.43	26	12.12	11.81
07	3.82	3.50	17	8.19	7.87	27	12.56	12.25
08	4.25	3.93	18	8.62	8.31	28	13.00	12.68
09	4.69	4.37	19	9.06	8.75	29	13.44	13.12
10	5.13	4.81	20	9.50	9.18	30	13.87	13.56
11	5.57	5.25	21	9.94	9.62			

1" = 25.4mm.

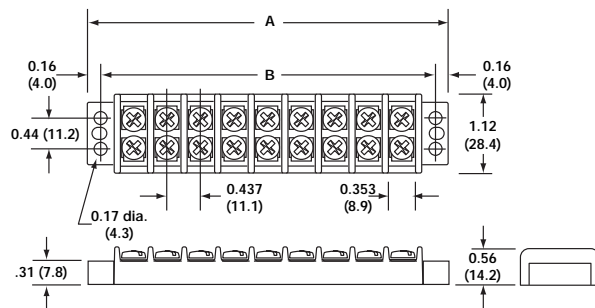


TB200-10SP

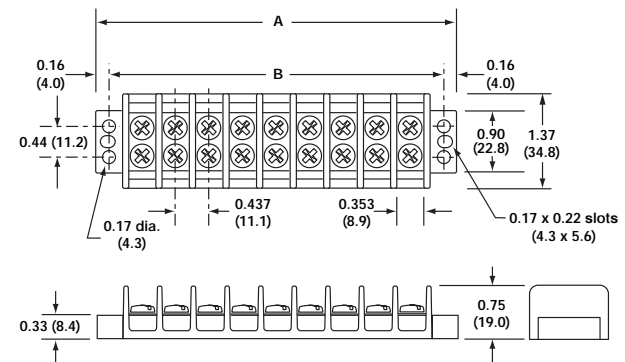


TB200HB-06

TB200 - in (mm)



TB200HB

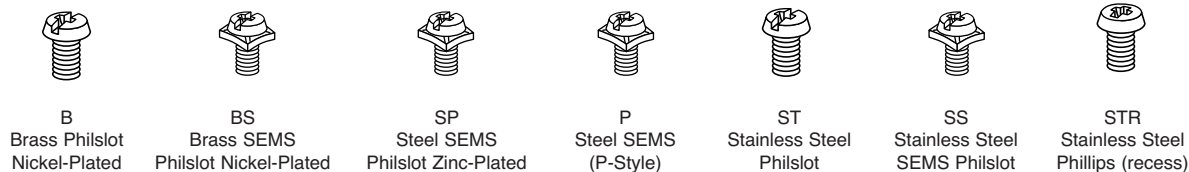


#### Catalog Number Build-A-Code

Series	Poles	Screw Options	Marking/Cover	Hardware Options
TB <input type="checkbox"/> <input type="checkbox"/> <input type="checkbox"/> <input type="checkbox"/> <input type="checkbox"/> - <input type="checkbox"/> <input type="checkbox"/>	<input type="checkbox"/> <input type="checkbox"/>	<input type="checkbox"/> <input type="checkbox"/> <input type="checkbox"/>	<input type="checkbox"/> <input type="checkbox"/>	<input type="checkbox"/> <input type="checkbox"/> <input type="checkbox"/> <input type="checkbox"/>
200 = Standard 200HB = High barrier	02 to 30	Blank = Steel phillslot, zinc-plated 00 = Screws shipped bulk B = Brass phillslot, nickel-plated BS = Brass Sems phillslot, nickel-plated SP = Steel Sems phillslot, zinc-plated P = Steel Sems (P-style) ST = Stainless steel, phillslot SS = Stainless steel Sems, phillslot STR = Stainless steel, phillips (recess)	L1 to L6 Marking Strips (See page 318) Special Markings (See page 318) Covers (See page 318)	QC1 to QC20 = Quick connects J201 = Flat slip-on jumper (2 position only) 0J3 = Over barrier jumpers 0J5 = Over barrier jumpers 0J7 = Over barrier jumpers

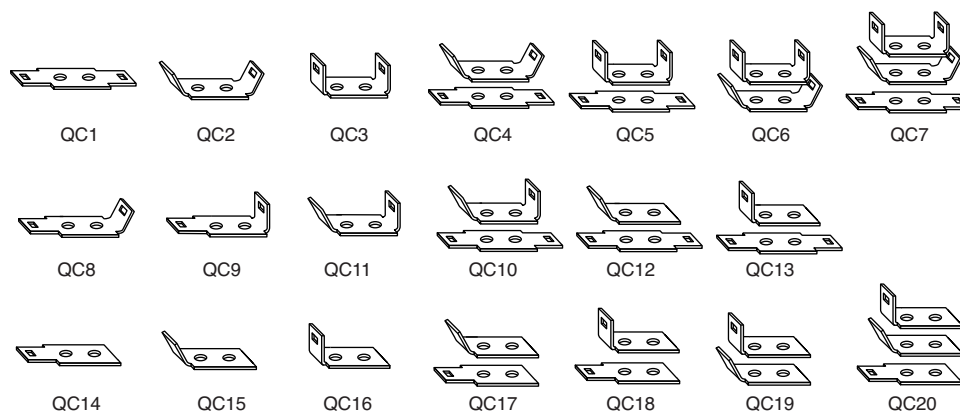
## Double Row Terminal Blocks

### Screw Options

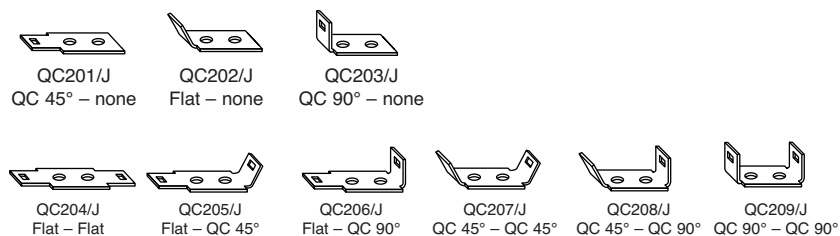


### Hardware Options

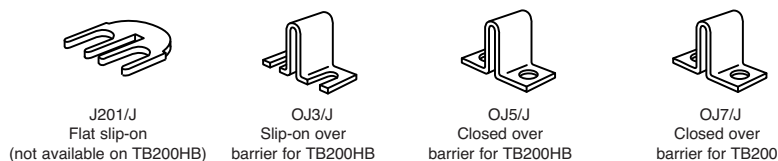
**Quick Connects – Assembled:** Terminals 0.25" x 0.031". Maximum current rating 20 amps. For other orientations, contact Cooper Bussmann.



**Quick Connects – Bulk:** minimum order per part no. – 100 pieces.



**Jumpers – Bulk:** minimum. order per part no. – 100 pieces. Contact Cooper Bussmann for jumper assembly.



## Double Row Terminal Blocks

### Series TB300 & TB345

#### Specifications

**Description:** Double row terminal blocks.

#### Ratings:

Volts: — 600V\*

Amps: — 30A\* (TB300)

— 45A (TB345)

**Center Spacing:** 0.562" or 9/16" (14.28mm)

**Wire Range:** #8 - 22 AWG Cu

**Screw Size:** TB300 – #8-32 phillslot screws

TB345 – #10-32 phillslot screws

**Torque Rating:** #8 screws - 16 lb-in. ;

#10 screws - 20 lb-in.

**Distance Between Barriers:** 0.41" (10.5mm)

**Mounting:** TB300 – #8 screws; TB345 – #10 screws

**Operating Temperature:** 130°C (266°F) max., -40°C (-40°F) min.

**Material:** Molded base: Black, UL rated 94V0 thermoplastic

Terminal plating: Tin over brass; Screws: zinc-plated steel

**Breakdown Voltage:** 7500V

**Agency Information:** UL File E62622, CSA File 47235; IEC Compliance; CE Certified

\* Max rating shown; some options may be rated lower - consult Cooper Bussmann.

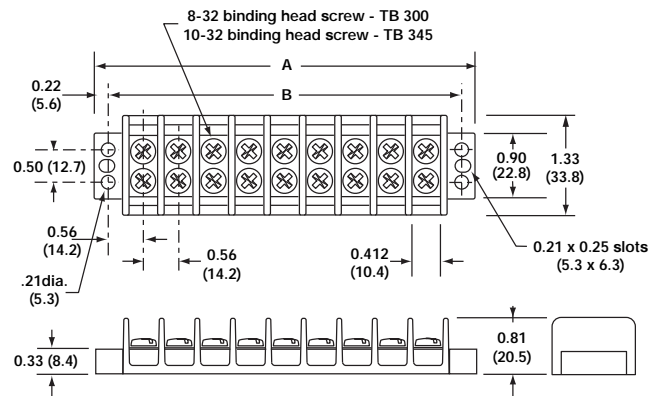
#### Dimensions - in

Poles	A	B	Poles	A	B	Poles	A	B
02	2.13	1.69	10	6.62	6.19	18	11.12	10.68
03	2.69	2.25	11	7.18	6.75	19	11.68	11.25
04	3.25	2.81	12	7.75	7.31	20	12.24	11.81
05	3.81	3.37	13	8.31	7.87	21	12.80	12.37
06	4.37	3.94	14	8.87	8.44	22	13.37	12.93
07	4.94	4.50	15	9.43	9.00	23	13.93	13.50
08	5.50	5.06	16	9.99	9.56	24	14.49	14.06
09	6.06	5.62	17	10.56	10.12			

1" = 25.4mm.



TB300 & TB345 - in (mm)



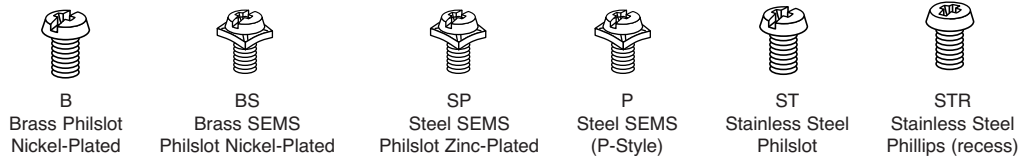
#### Catalog Number Build-A-Code

Series	Poles	Screw Options	Marking/Cover	Hardware Options
TB <input type="checkbox"/> <input type="checkbox"/> <input type="checkbox"/> - <input type="checkbox"/> <input type="checkbox"/>	<input type="checkbox"/> <input type="checkbox"/>	<input type="checkbox"/> <input type="checkbox"/> <input type="checkbox"/>	<input type="checkbox"/> <input type="checkbox"/>	<input type="checkbox"/> <input type="checkbox"/> <input type="checkbox"/> <input type="checkbox"/>
300 = 8-32 screw 345 = 10-32 screw	02 to 24	Blank = Steel phillslot, zinc-plated 00 = Screws shipped bulk B = Brass phillslot, nickel-plated BS = Brass Sems phillslot, nickel-plated (TB300 only) SP = Steel Sems phillslot, zinc-plated P = Steel Sems (P-style) ST = Stainless steel, phillslot STR = Stainless steel, phillips (recess)	L1 to L6 Marking Strips (pg 318) Special Markings (pg 318) Covers (pg 318)	QC1 to QC20 = Quick connects (TB300 only) J301 = Flat slip-on jumper OJ6 = Over barrier jumper OJ11 = Over barrier jumper



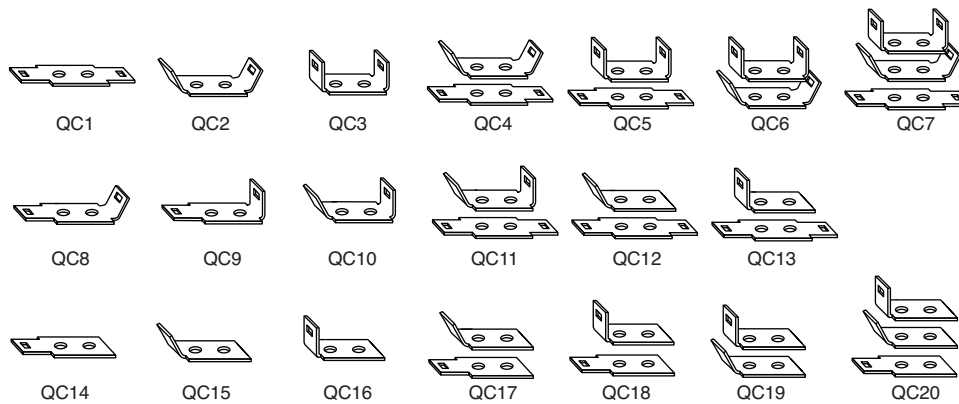
## Double Row Terminal Blocks

### Screw Options

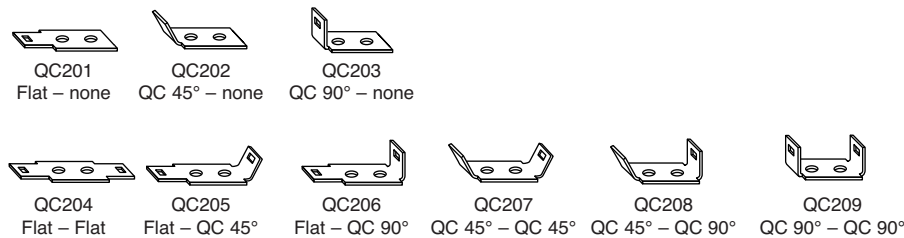


### Hardware Options

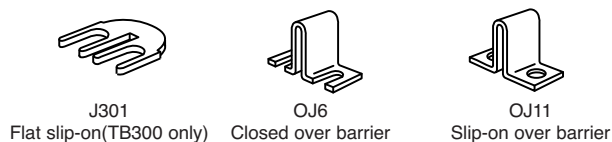
**Quick Connects – Assembled:** TB300 only. Terminals 0.25" x 0.031". Maximum current rating 20 amps. For other orientations, contact Cooper Bussmann.



**Quick Connects – Bulk:** (\*TB300 only) minimum order per part number. – 100 pieces.



**Jumpers – Bulk:** minimum order per part number – 100 pieces. Contact Cooper Bussmann for jumper assembly.

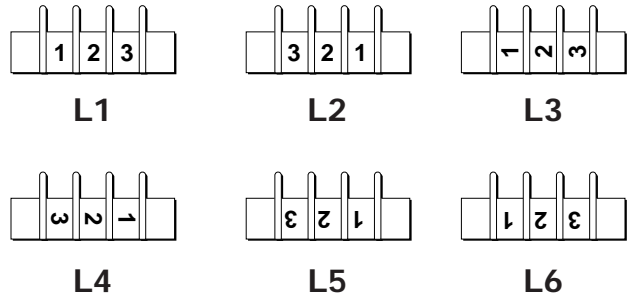


# Marking Options and Covers for Double Row Series

## Standard Marking

Standard markings are applied directly to the side(s) of a block. Standard color is white. Standard height is 0.125 inches (3.17mm).

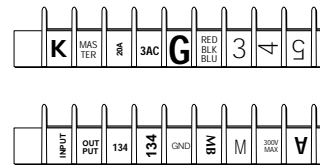
Note: Blocks marked on both sides require a different code for each side. Example Style L1 on one side of the block requires Style L2 on the other side to ensure common terminal marking. To order, add appropriate suffix (L1, L2, L3, L4, L5 and/or L6) to block catalog number in the proper sequence.



## Special Marking

Special markings are available at an additional charge for preparation. Production charges for setup, handling and marking are the same as for standard marking. Drawing(s) must be submitted to ensure accuracy of part required. Consult Cooper Bussmann for price and delivery.

Note: Marking is not available on TB400 Series

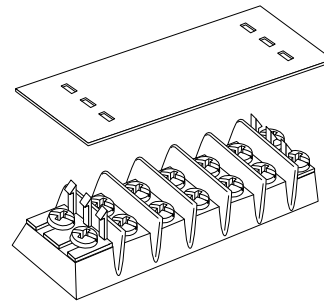


## Covers

Covers prevent personnel, screws and foreign items from contacting live terminals. Available in white or clear plastic. Two cover clips supplied with each cover. Cover width is 1.31 inches (33.3mm).

All covers must be ordered separately. Consult Cooper Bussmann for special legends.

Example: 10 position cover, white, TB100 Series, no legends = Catalog Number **X12010**.



## Catalog Number Build-A-Code

Series	Cover Strip	Poles	High Barrier Option Only	Cover Clips – Bulk
X	□ □ □ 120 - TB100/white 119 - TB100/clear 220 - TB200/TB200HB - white 219 - TB200/TB200HB - clear 320 - TB300 & TB345 - white 319 - TB300 & TB345 - clear	□ □ 02 to 36 (TB100) 02 to 30 (TB200/TB200HB) 02 to 24 (TB300/TB345)	□ □ HB = High Barrier  Example: 10 position cover, white, TB100 Series, no legends . . . Part number is X12010.	Part Number DD1-J – TB100 Series DD2-J – TB200 Series DD2HB-J –TB200HB Series DD3-J – TB300 Series

Note: Covers are not available on TB400 Series.

# Top & Bottom Marking Strips for Double Row Terminal Blocks

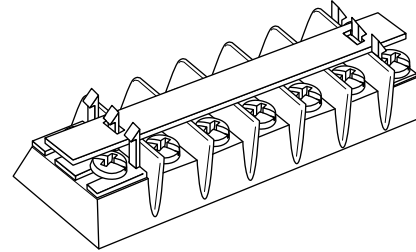
## Top Marker Strips

Top mounting marker strips are available in white (opaque) plastic. Two cover clips are supplied with each marker strip.

All top marker strips must be ordered separately. Consult factory for special legends.

Example: 12 position cover, TB200, 0.032" x 0.312", with no legends = Catalog Number **X20312**.

Example: 12 position cover, TB200HB, 0.06" x 0.50", with no legends = Catalog Number **X23312HB**.



Catalog Number Build-A-Code

Series	Top Marker Strip	Poles	High Barrier Option Only
X	<input type="checkbox"/> <input type="checkbox"/> <input type="checkbox"/>	<input type="checkbox"/> <input type="checkbox"/>	<input type="checkbox"/> <input type="checkbox"/>
	133 - TB100 (0.060 thk x 0.500 w) 103 - TB100 (0.032 thk x 0.312 w) 233 - TB200 (0.060 thk x 0.500 w) 233TB - TB200HB (0.060 thk x 0.500 w) 203 - TB200 (0.032 thk x 0.312 w) 203HB - TB200HB (0.032 thk x 0.312 w) 333 - TB300 & TB345 (0.060 thk x 0.500 w) 303 - TB300 & TB345 (0.032 thk x 0.380 w) Note: Marking Strips are not available on TB400 Series	02 to 36 (TB100) 02 to 30 (TB200/TB200HB) 02 to 24 (TB300/TB345)	HB = High Barrier  Example: 12 position cover, TB200HB, 0.060" x 0.500", with no legends... Part No. is X23312HB.

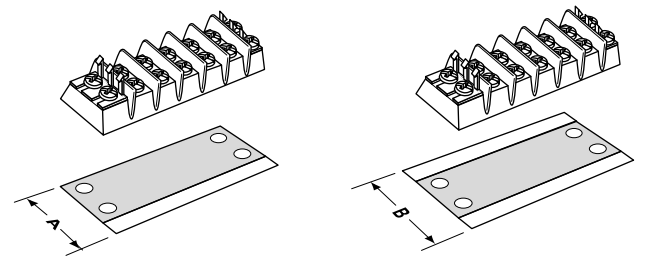
## Bottom Marker Strips

Bottom mounting marker strips are made of black PVC, 0.030" thick. Space is available to handle most marking situations. All marker strips must be ordered separately.

To order, specify part number, required legends and (BF) bottom forward, (BR) bottom reverse, (TF) top forward, or (TR) top reverse. Consult factory for specials.

Example: 13 position strip, TB100 with no legends, space for marking one side = Catalog Number **X10513**.

Position for legends (one side, two sides) can be specified standard. Standard legend height is 0.125". Standard leg-ends are 0-99 and A-Z. Special legends are available on special order. Drawing(s) must be submitted to ensure accuracy of part required.



Space for marking one side      Space for marking two sides

### Dimensions (in)

Dim.	TB100	TB200	TB200HB	TB300	TB345	TB400
A	1.13	1.37	1.62	1.58	1.58	N/A
B	1.38	1.62	1.81	1.81	1.81	N/A

Connectors

Catalog Number Build-A-Code

Series	Bottom Marker Strip	Poles	High Barrier Option Only	Orientation
X	<input type="checkbox"/> <input type="checkbox"/> <input type="checkbox"/>	<input type="checkbox"/> <input type="checkbox"/>	<input type="checkbox"/> <input type="checkbox"/>	<input type="checkbox"/> <input type="checkbox"/>
	105 = TB100/markings one side 101 = TB100/markings both sides 205 = TB200/markings one side 201 = TB200/markings both sides 295 = TB200HB/markings one side 291 = TB200HB/markings both sides 305 = TB300 & TB345/markings one side 301 = TB300 & TB345/markings both sides Note: Marking Strips are not available on TB400 Series.	02 to 36 (TB100) 02 to 30 (TB200/TB200HB) 02 to 24 (TB300/TB345)	HB = High Barrier	BF = Bottom forward BR = Bottom reverse TF = Top forward TR = Top reverse

## Double Row Terminal Blocks

### Series TB400

#### Specifications

**Description:** Double row terminal blocks.

#### Ratings:

Volts: — 600V

Amps: — 75A

**Center Spacing:** 0.687" or 11/16" (17.45mm)

**Wire Range:** #6-14 AWG Cu

**Screw Size:** #10-32 philslot screws

**Torque Rating:** 20 lb-in.

**Distance Between Barriers:** 0.56" (14.3mm)

**Mounting:** #10 screws

**Operating Temperature:** 130°C (266°F) max., -40°C (-40°F) min.

**Material:** Molded base: Black, UL rated 94V0 thermoplastic  
Terminal plating: Tin over brass; Screws: zinc-plated steel

**Breakdown Voltage:** 7500V

**Agency Information:** UL File E62622, CSA File 47235; IEC Compliance; CE Certified

#### Dimensions - in

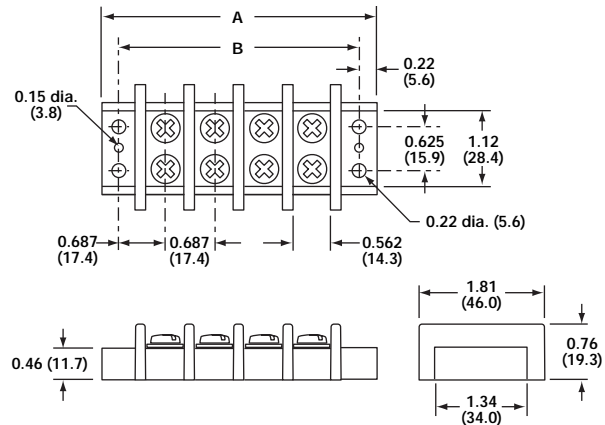
Poles	A	B	Poles	A	B	Poles	A	B
02	2.51	2.06	06	5.26	4.81	10	8.01	7.56
03	3.20	2.75	07	5.95	5.50	11	8.70	8.25
04	3.89	3.44	08	6.64	6.19	12	9.39	8.94
05	4.58	4.13	09	7.33	6.88			

1" = 25.4mm.



TB400-05

TB400 - in (mm)



#### Screw Options



B  
Brass Philslot  
Nickel-Plated



ST  
Stainless Steel  
Philslot



STR  
Stainless Steel  
Phillips (recess)

#### Hardware Options



OJ14: Closed over barrier

#### Catalog Number Build-A-Code

Series	Poles	Screw Options	Marking	Hardware Options
TB400	-	<input type="checkbox"/> <input type="checkbox"/>	<input type="checkbox"/> <input type="checkbox"/> <input type="checkbox"/>	
	02 to 12	Blank = Steel philslot, zinc-plated 00 = Screws shipped bulk B = Brass philslot, nickel-plated ST = Stainless steel, philslot STR = Stainless steel, phillips (recess)	Not available	OJ14† - Jumper over barrier

†Contact factory for pole configuration.

## Base Mount Double Row Terminal Blocks

### Series KU

#### Specifications

**Description:** Base mount double row terminal blocks.

#### Ratings:

Volts: — 600V

Amps: — 60A\*

**Center Spacing:** 0.625" (15.88mm)

**Number of Poles:** 2- to 12-poles

**Wire Range:** #6-22 AWG Cu

**Screw Size:** #10-32

**Torque Rating:** 20 lb-in.

**Distance Between Barriers:** 0.437" (11.09mm)

**Mounting:** Base mount

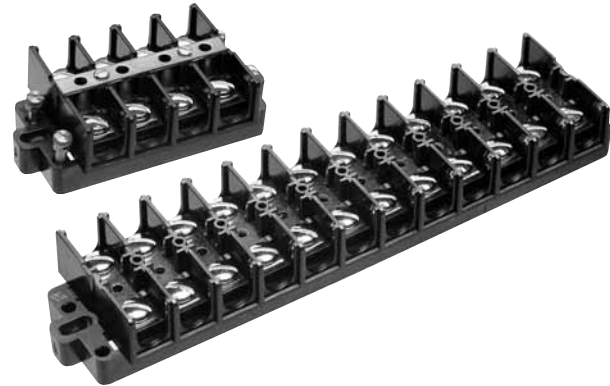
**Material:** Molded base: Black, UL rated 94V1 Nuclear Grade Noryl

Terminal plating: Nickel over brass

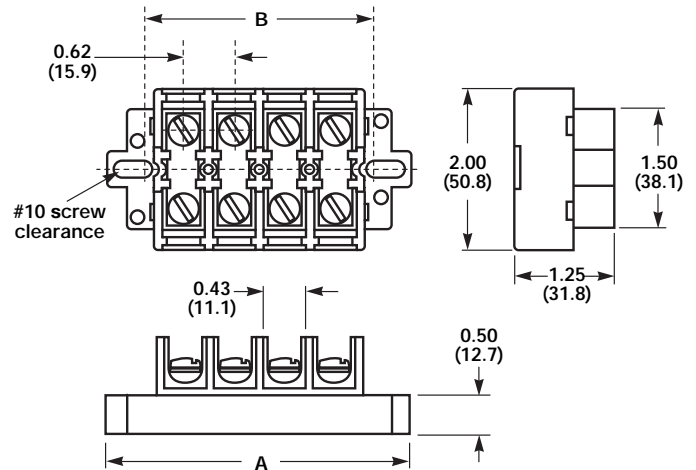
**Operating Temperature:** 105°C max.

**Agency Information:** UL File E62622, CSA File 47235

\* 60A rating achieved with #6 copper wire crimped to ring terminal.



Series KU - in (mm)



#### Dimensions - in

Poles	KU		KUX Only
	A	B	A
02	2.50	1.62	2.00
03	3.12	2.25	2.62
04	3.75	2.87	3.25
05	4.37	3.50	3.87
06	5.00	4.12	4.50
07	5.62	4.75	5.12
08	6.25	5.37	5.75
09	6.87	6.00	6.37
10	7.50	6.62	7.00
11	8.12	7.25	7.62
12	8.75	7.87	8.25

1" = 25.4mm.

#### Catalog Number Build-A-Code

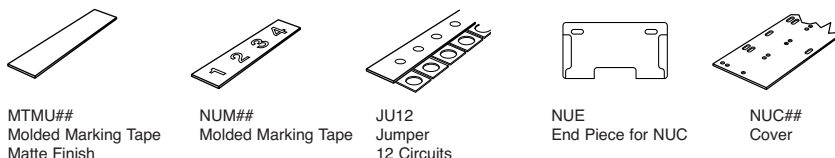
Series	Poles	Screw Options	Covers	Marking Strip
<input type="checkbox"/> <input type="checkbox"/> <input type="checkbox"/> <input type="checkbox"/> <input type="checkbox"/>	<input type="checkbox"/> <input type="checkbox"/> - <input type="checkbox"/> <input type="checkbox"/>	<input type="checkbox"/> <input type="checkbox"/> <input type="checkbox"/> <input type="checkbox"/>	<input type="checkbox"/> <input type="checkbox"/>	<input type="checkbox"/> <input type="checkbox"/> <input type="checkbox"/>
KU = Standard block KUH = Block KUX = Short block KURL = Standard w/removable link KUXRL = Short block w/removable link	02 to 12	00 = Screws shipped bulk W = Brass washer head, nickel-plated P = Steel screw w/pressure plate zinc-plated B = Brass washer head, no plating BP = Brass phislot, nickel-plated	WC = Top cover & 2 end plates	MT = Matte finish NU = Numbered 1 to 12, horizontal NUV = Numbered 1 to 12, vertical PT = Marker strip for cover

#### Catalog Number - SC Series

KUSC = Standard w/shorting strap & 4 shorting screws KUXSC = Short block w/shorting strap & 4 Shorting screws	02 to 12	00 = Screws shipped bulk W = Brass washer head, nickel-plated P = Steel screw w/pressure plate zinc-plated B = Brass washer head, no plating BP = Brass phislot, nickel-plated	WC = Top cover & 2 end plates	PT* = Marker strip for cover
--	----------	--	-------------------------------	------------------------------

\*Requires WC cover option

#### Accessories



MTMU##  
Molded Marking Tape  
Matte Finish

NUM##  
Molded Marking Tape

JU12  
Jumper  
12 Circuits

NUE  
End Piece for NUC

NUC##  
Cover

## Standard Base Terminal Blocks

### Series TS — 8.0, 10.0, 12.0, 13.5mm centers

#### Specifications

**Description:** 8, 10, 12 and 13.5mm center, standard base terminal blocks.

**Construction:** Mold to length polyamide type 6/6 housing, nickel-plated brass contacts and stainless steel wire protector.

#### Ratings:

- Volts: — 600V
- Amps: — 20A (TS08)
- 30A (TS10)
- 35A (TS12)
- 50A (TS14)

**Wire Range:** See Specifications Table

**Housing Material:** Polyamide Type 6/6, 94V2 (white)

**Contact Material:** Nickel-Plated Brass

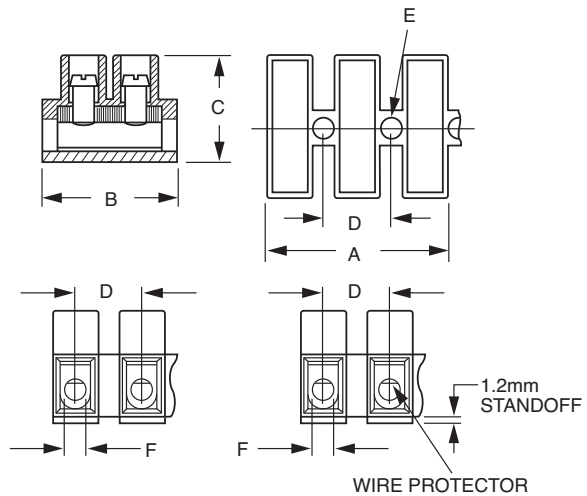
**Wire Protector:** Stainless Steel

**Screw Size:** See Specifications Table

**Operating Temperature:** 105°C (221°F) max., -30°C (-22°F) min.

**Torque Rating:** See Specifications Table

**Agency Information:** UL File E62622; CE Certified



#### A Dimensions - in (mm)

Poles	TS08	TS10	TS12	TS14
2	0.622 (15.8)	0.689 (17.5)	0.815 (20.7)	0.906 (23.0)
3	0.937 (23.8)	1.083 (27.5)	1.287 (32.7)	1.437 (36.5)
4	1.252 (31.8)	1.476 (37.5)	1.760 (44.7)	1.969 (50.0)
5	1.567 (39.8)	1.870 (47.5)	2.232 (56.7)	2.500 (63.5)
6	1.882 (47.8)	2.264 (57.5)	2.705 (68.7)	3.031 (77.0)
7	2.232 (55.8)	2.657 (67.5)	3.177 (80.7)	3.563 (90.5)
8	2.512 (63.8)	3.051 (77.5)	3.650 (92.7)	4.094 (104.0)
9	2.827 (71.8)	3.445 (87.5)	4.122 (104.7)	4.626 (117.5)
10	3.142 (79.8)	3.839 (97.5)	4.594 (116.7)	5.157 (131.0)
11	3.457 (87.8)	4.232 (107.5)	5.067 (128.7)	5.689 (144.5)
12	3.772 (95.8)	4.626 (117.5)	5.539 (140.7)	6.220 (158.0)

#### Specifications

Position	Torque in-lb	Clamping Area (mm <sup>2</sup> )	Wire Range AWG (Cu)	Dimensions - in (mm)					
				Screw	B	C	D	E	F
TS0801	3.5	4.0	22-12 Sol./Str.	M2.6x5	0.67 (17.0)	0.57 (14.5)	0.32 (8.0)	0.11 (2.9)	0.11 (2.8±0.1)
TS0802	3.5	1.5	22-12 Sol./Str.	M2.6x5	0.67 (17.0)	0.57 (14.5)	0.32 (8.0)	0.11 (2.9)	0.11 (2.8±0.1)
TS1001	4.4	6.0	22-10 Sol., 14-10 Str.	M3.0x6	0.80 (20.2)	0.67 (17.0)	0.39 (10.0)	0.14 (3.6)	0.13 (3.4±0.1)
TS1002	4.4	2.5	22-12 Sol./Str, 10 Sol.	M3.0x6	0.80 (20.2)	0.67 (17.0)	0.39 (10.0)	0.14 (3.6)	0.13 (3.4±0.1)
TS1201	7.0	10.0	22-10 Sol./Str.	M3.5x7	0.94 (23.8)	0.75 (19.0)	0.47 (12.0)	0.14 (3.9)	0.15 (4.2±0.1)
TS1202	7.0	6.0	22-10 Sol./Str.	M3.5x7	0.94 (23.8)	0.75 (19.0)	0.47 (12.0)	0.15 (3.9)	0.15 (4.2±0.1)
TS1401	12.0	16.0	20-8 Sol./Str.	M4.0x9	1.01 (25.6)	0.99 (25.2)	0.53 (13.5)	0.17 (4.4)	0.19 (5.0±0.1)
TS1402	12.0	10.0	20-8 Sol./Str.	M4.0x9	1.01 (25.6)	0.99 (25.2)	0.53 (13.5)	0.17 (4.4)	0.19 (5.0±0.1)

#### Catalog Number Build-A-Code

Series	Base	Poles
TS	<input type="checkbox"/> <input type="checkbox"/>	<input type="checkbox"/> <input type="checkbox"/>
	08 = 20A 10 = 30A 12 = 35A 14 = 50A	01 = Standard 02 = Standard w/ wire protector
		<input type="checkbox"/> <input type="checkbox"/>
		02 to 12



## Flat Base Terminal Blocks

### Series TS — 8.0, 10.0mm centers

#### Specifications

**Description:** 8 and 10mm center, flat base terminal blocks.

**Construction:** Mold to length polyamide type 6/6 housing, nickel-plated brass contact and stainless steel wire protector.

#### Ratings:

Volts: — 600V

Amps: — 20A (TS08)

— 30A (TS10)

**Wire Range:** See Specification Table

**Housing Material:** Polyamide Type 6/6, 94V2 (white)

**Contact Material:** Nickel-Plated Brass

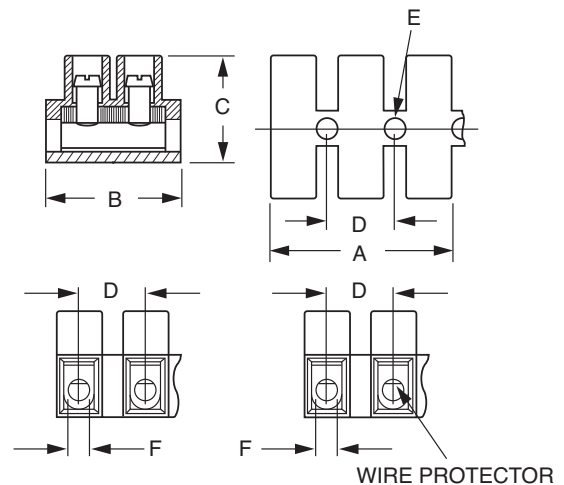
**Wire Protector:** Stainless Steel

**Screw Size:** See Specification Table

**Operating Temperature:** 105°C (221°F) max.,  
-30°C (-22°F) min.

**Torque Rating:** See Specification Table

**Agency Information:** UL File E62622; CE Certified



#### A Dimensions - in (mm)

Poles	TS08	TS10
2	0.622 (15.8)	0.689 (17.5)
3	0.937 (23.8)	1.083 (27.5)
4	1.252 (31.8)	1.476 (37.5)
5	1.567 (39.8)	1.870 (47.5)
6	1.882 (47.8)	2.264 (57.5)
7	2.232 (55.8)	2.657 (67.5)
8	2.512 (63.8)	3.051 (77.5)
9	2.827 (71.8)	3.445 (87.5)
10	3.142 (79.8)	3.839 (97.5)
11	3.457 (87.8)	4.232 (107.5)
12	3.772 (95.8)	4.626 (117.5)

#### Specifications

Position	Torque in-lb	Clamping Area (mm <sup>2</sup> )	Wire Range AWG (Cu)	Screw	Dimensions - in (mm)					
					B	C	D	E	F	
TS0803	3.5	4.0	22-12 Sol./Str.	M2.6x5	0.64 (16.3)	0.53 (13.3)	0.32 (8.0)	0.11 (2.9)	0.11 (2.8±0.1)	
TS0804	3.5	1.5	22-12 Sol./Str.	M2.6x5	0.64 (16.3)	0.52 (13.3)	0.32 (8.0)	0.11 (2.9)	0.11 (2.8±0.1)	
TS1003	4.4	6.0	22-10 Sol., 14-10 Str.	M3.0x6	0.80 (20.2)	0.62 (15.8)	0.39 (10.0)	0.14 (3.6)	0.13 (3.2±0.1)	
TS1004	4.4	2.5	22-12 Sol./Str., 10 Sol.	M3.0x6	0.80 (20.2)	0.62 (15.8)	0.39 (10.0)	0.14 (3.6)	0.13 (3.2±0.1)	

#### Catalog Number Build-A-Code

Series	Base	Poles	
TS	<input type="checkbox"/> <input type="checkbox"/>	<input type="checkbox"/> <input type="checkbox"/>	<input type="checkbox"/> <input type="checkbox"/>
	08 = 20A	03 = Flat	02 to 12
	10 = 30A	04 = Flat w/ wire protector	