



Sales Outline Drawing

Specifications:

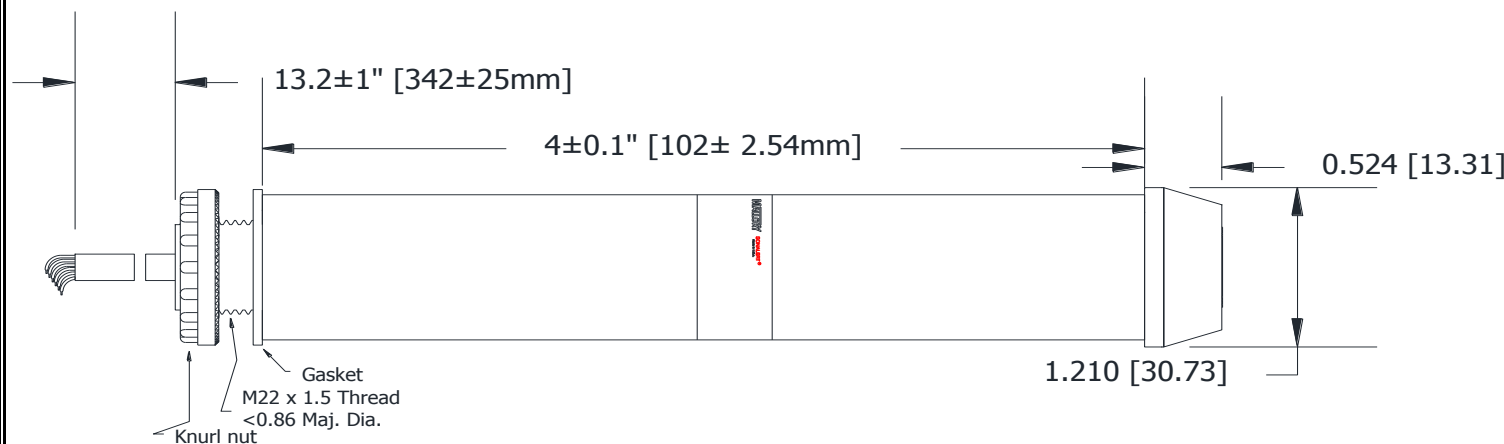
| | |
|------------------------|--|
| Sound Level Category | Loud |
| Mode of Operation | Fast Pulse @ 10 PPS |
| Voltage Rating | 9 to 16 VDC |
| Frequency | 3900 ± 500 Hz |
| Loudness @ 1M | 80 to 85 dB(A) Typ. |
| Sound Current Draw | 40mA MAX |
| LED Color | RED |
| LED Current Draw | 60mA MAX |
| Total Max Current Draw | 100mA MAX |
| Housing Material | 6/6 Nylon, Color: Black |
| Top Cap Material | 6/6 Nylon, Color: Opaque White |
| Storage Temperature | -40° to +70° C |
| Operating Temperature | -30° to +60° C |
| Mounting | Recommended hole size is 22.5 mm. |
| Knurled Nut | The max recommended torque is 10 in-lbs. |
| Cable | Gray, UL Style 21894, 300V, 105°C, 24AWG, Pb-Free Tinned Leads |
| Weight (Typical) | 105 grams |
| NEMA 12 | Approved with use of included gasket. |
| Options | Please contact factory. |

Dimensions:

Inches (mm)

cUL Recognized

ROHS Compliant



Connections:

SOUND BLACK wire to Ground and ORANGE wire to Positive
TOP BROWN wire to Ground and RED wire to Positive