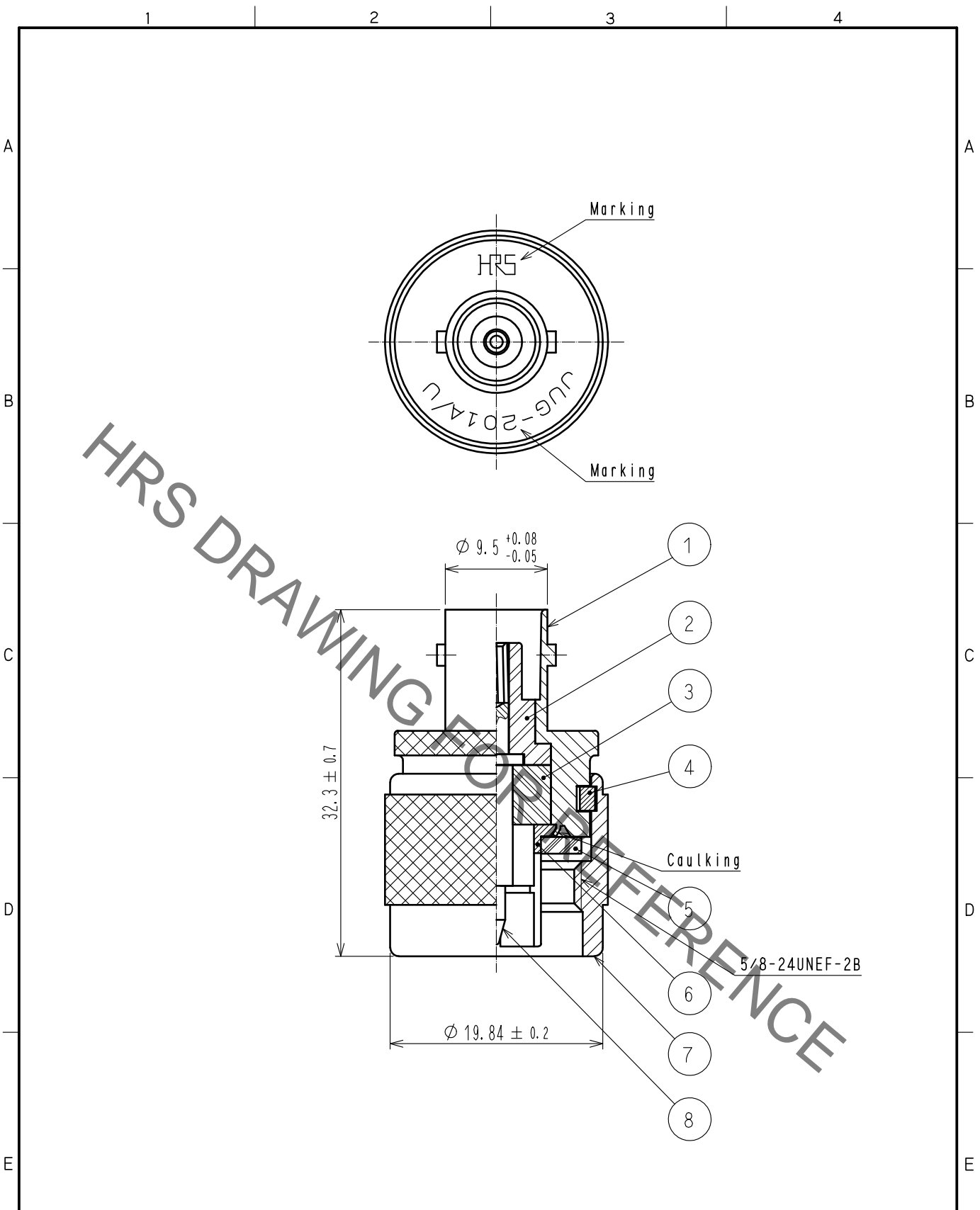


Apr.1.2022 Copyright 2022 HIROSE ELECTRIC CO., LTD. All Rights Reserved.  
 In case of consideration for using Automotive equipment / device which demand high reliability, kindly contact our sales window correspondents.



4	PHOSPHOR BRONZE	SILVER PLATING	8	BERYLLIUM COPPER	SILVER PLATING
3	PTFE		7	BRASS	SILVER PLATING
2	PTFE		6	PHOSPHOR BRONZE	SILVER PLATING
1	BRASS	SILVER PLATING	5	SILICONE RUBBER	
NO.	MATERIAL	FINISH . REMARKS	NO.	MATERIAL	FINISH . REMARKS

UNITS mm		SCALE 2 : 1	COUNT 	DESCRIPTION OF REVISIONS	DESIGNED	CHECKED	DATE
HIROSE ELECTRIC CO., LTD.		APPROVED : NK. NINOMIYA 20211122	DRAWING NO.	EDC-000588-40-00			
		CHECKED : NK. NINOMIYA 20211122	PART NO.	JUG-201A/U(40)			
		DESIGNED : MT. KANEKO 20211119	CODE NO.	CL0311-0007-8-40			
		DRAWN : NK. OOSHIMA 20211119					1/1