

## NPN LOW POWER SILICON TRANSISTOR

Qualified per MIL-PRF-19500/181

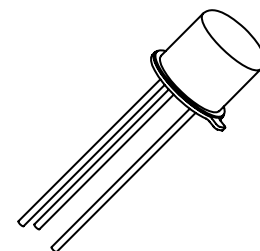
### DEVICES

**2N718A**                      **2N1613**  
    **2N1613L**

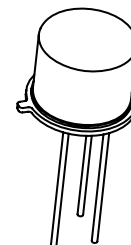
**LEVELS**  
**JAN**  
**JANTX**  
**JANTXV**

### ABSOLUTE MAXIMUM RATINGS ( $T_C = +25^\circ\text{C}$ unless otherwise noted)

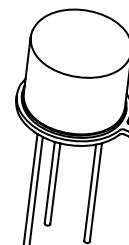
Parameters / Test Conditions	Symbol	Min.	Unit
Collector-Emitter Voltage	$V_{CEO}$	30	Vdc
Collector-Base Voltage	$V_{CBO}$	75	Vdc
Emitter-Base Voltage	$V_{EBO}$	7.0	Vdc
Collector Current	$I_C$	500	mA dc
Total Power Dissipation @ $T_A = +25^\circ\text{C}$	$P_T$	0.5 0.8	W
Total Power Dissipation @ $T_C = +25^\circ\text{C}$	$P_T$	1.8 3.0	W
Operating & Storage Junction Temperature Range	$T_J, T_{stg}$	-65 to +200	$^\circ\text{C}$
Thermal Resistance, Junction-to-Case	$R_{\theta JC}$	97 58	$^\circ\text{C/W}$



**TO-18 (TO-206AA)**  
**2N718A**



**TO-39 (TO-205AD)**  
**2N1613**



**TO-5**  
**2N1613L**

- Derate linearly at 4.57 mW/ $^\circ\text{C}$  for 2N1613, L and 2.85mW/ $^\circ\text{C}$  for 2N718A for  $T_A > +25^\circ\text{C}$
- Derate linearly at 17.2 mW/ $^\circ\text{C}$  for 2N1613, L and 10.3mW/ $^\circ\text{C}$  for 2N718A for  $T_C > +25^\circ\text{C}$

### ELECTRICAL CHARACTERISTICS ( $T_A = +25^\circ\text{C}$ , unless otherwise noted)

Parameters / Test Conditions	Symbol	Min.	Max.	Unit
<b>OFF CHARACTERISTICS</b>				
Collector-Emitter Breakdown Voltage $I_C = 100\mu\text{A dc}$	$V_{(BR)CEO}$	30		Vdc
Collector-Emitter Breakdown Voltage $I_C = 100\mu\text{A dc}, R_{BE} = 10\Omega$	$V_{(BR)CER}$	50		Vdc
Collector-Base Cutoff Current $V_{CB} = 60\text{Vdc}$ $V_{CB} = 75\text{Vdc}$	$I_{CBO}$		10 10	$\eta\text{A dc}$ $\mu\text{A dc}$
Emitter-Base Cutoff Current $V_{EB} = 5.0\text{Vdc}$ $V_{EB} = 7.0\text{Vdc}$	$I_{EBO}$		10 10	$\eta\text{A dc}$ $\mu\text{A dc}$

## ELECTRICAL CHARACTERISTICS ( $T_A = +25^\circ\text{C}$ , unless otherwise noted)

Parameters / Test Conditions	Symbol	Min.	Max.	Unit
<b>ON CHARACTERISTICS <sup>(3)</sup></b>				
Forward-Current Transfer Ratio $I_C = 0.1\text{mA}$ , $V_{CE} = 10\text{Vdc}$ $I_C = 10\text{mA}$ , $V_{CE} = 10\text{Vdc}$ $I_C = 150\text{mA}$ , $V_{CE} = 10\text{Vdc}$ $I_C = 500\text{mA}$ , $V_{CE} = 10\text{Vdc}$	$h_{FE}$	20 35 40 20	120	
Collector-Emitter Saturation Voltage $I_C = 150\text{mA}$ , $I_B = 15\text{mA}$	$V_{CE(sat)}$		1.5	Vdc
Base-Emitter Saturation Voltage $I_C = 150\text{mA}$ , $I_B = 15\text{mA}$	$V_{BE(sat)}$		1.3	Vdc

## DYNAMIC CHARACTERISTICS

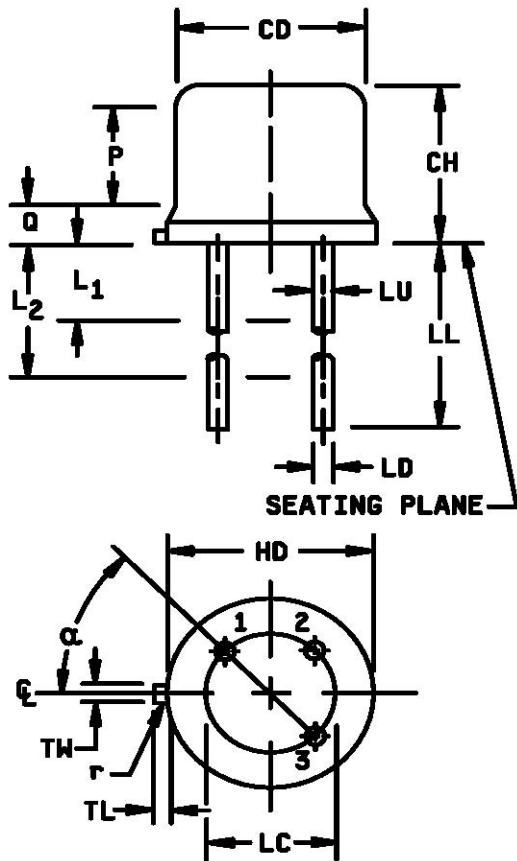
Parameters / Test Conditions	Symbol	Min.	Max.	Unit
Magnitude of Small-Signal Forward Current Transfer Ratio $I_C = 50\text{mA}$ , $V_{CE} = 10\text{Vdc}$ , $f = 20\text{MHz}$	$ h_{fe} $	3.0		
Small-Signal Forward Current Transfer Ratio $I_C = 1.0\text{mA}$ , $V_{CE} = 5\text{Vdc}$ , $f = 1.0\text{kHz}$ $I_C = 5.0\text{mA}$ , $V_{CE} = 10\text{Vdc}$ , $f = 1.0\text{kHz}$	$h_{fe}$	30 35	100 150	
Small-Signal Short Circuit Input Impedance $I_C = 5.0\text{mA}$ , $V_{CB} = 10\text{Vdc}$ , $f = 1.0\text{kHz}$	$h_{ib}$	4.0	8.0	$\Omega$
Small-Signal Short Circuit Output Admittance $I_C = 5.0\text{mA}$ , $V_{CB} = 10\text{Vdc}$ , $f = 1.0\text{kHz}$	$h_{ob}$		1.0	$\eta\Omega$
Output Capacitance $V_{CB} = 10\text{Vdc}$ , $I_E = 0$ , $100\text{kHz} \leq f \leq 1.0\text{MHz}$	$C_{obo}$		25	pF

## SWITCHING CHARACTERISTICS

Parameters / Test Conditions	Symbol	Min.	Max.	Unit
Turn-On Time & Turn-Off Time (See Figure 5 of MIL-PRF-19500/181)	$t_{on} + t_{off}$		30	$\eta\text{s}$

(3) Pulse Test: Pulse Width = 300 $\mu\text{s}$ , Duty Cycle  $\leq 2.0\%$

## PACKAGE DIMENSIONS



Symbol	Dimensions				Notes
	Inches		Millimeters		
	Min	Max	Min	Max	
CD	.178	.195	4.52	4.95	
CH	.170	.210	4.32	5.33	
HD	.209	.230	5.31	5.84	
LC	.100 TP		2.54 TP		5
LD	.016	.021	0.41	0.53	8, 9
LL	.500	.750	12.70	19.05	7, 9
LU	.016	.019	0.41	0.48	4, 8, 9
L <sub>1</sub>		.050		1.27	9
L <sub>2</sub>	.250		6.35		9
TL	.028	.048	0.71	1.22	5
TW	.036	.046	.91	1.17	
P	.100		2.54		3
Q		.030		0.76	6
R		.010		.025	
$\alpha$	45° TP		45° TP		

### NOTES:

- Dimensions are in inches.
- Millimeters are given for general information only.
- This zone is controlled for automatic handling. The variation in actual diameter within this zone shall not exceed .010 inch (0.254 mm).
- (Three leads) LU applies between L1 and L2. LD applies between L2 and .5 inch (12.70 mm) from seating plane. Diameter is uncontrolled in L1 and beyond .5 inch (12.70 mm) from seating plane.
- Measured from maximum diameter of the actual device.
- Details of outline in this zone optional.
- The collector shall be electrically connected to the case.
- Lead number 1 - emitter; lead number 2 - base; lead number 3 - collector.
- All three leads.
- In accordance with ANSI Y14.5M, diameters are equivalent to  $\Phi$ x symbology.

FIGURE 1. Physical dimensions 2N718A (TO-18).