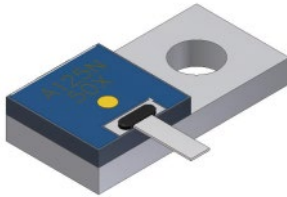


Half Flange Termination
100 Watts, 50Ω



Features:

- RoHS Compliant
- 100 Watts
- DC – 4.0 GHz
- AlN Ceramic
- Non-Nichrome Resistive
- Low VSWR
- 100% Tested

Description:

The K100N50X4B is high performance Aluminum Nitride (AlN) half flange termination intended as a cost competitive alternative to Beryllium Oxide (BeO). The termination is well suited to all cellular frequency bands such as; AMPS, GSM, DCS, PCS, PHS and UMTS. The high power handling makes the part ideal for terminating circulators, and for use in power combiners. The termination is also RoHS compliant!

General Specifications:

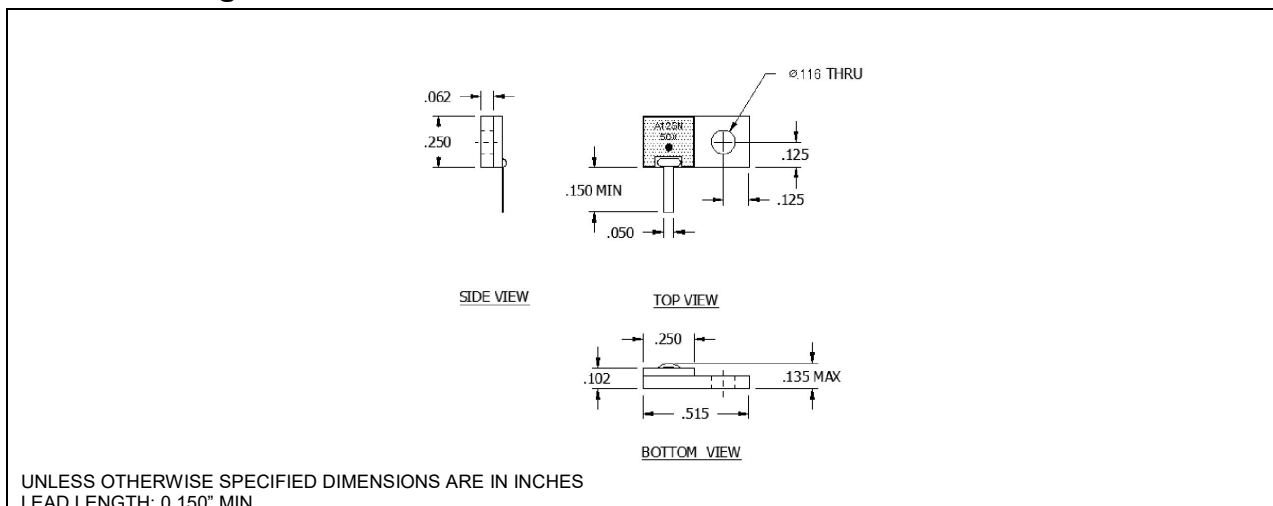
Resistive Element	Thick Film
Substrate	AlN Ceramic
Mounting Flange	Copper, nickel plated per QC-N-290
Operating Temperature	-55°C to +150°C (see de rating chart)

Electrical Specifications:

Resistance Value:	50 Ohms, ± 2%
Power:	100 Watts
Frequency Range:	DC – 4.0 GHz
Return Loss	> 26 dB to 1.3 GHz > 22 dB to 4.0GHz

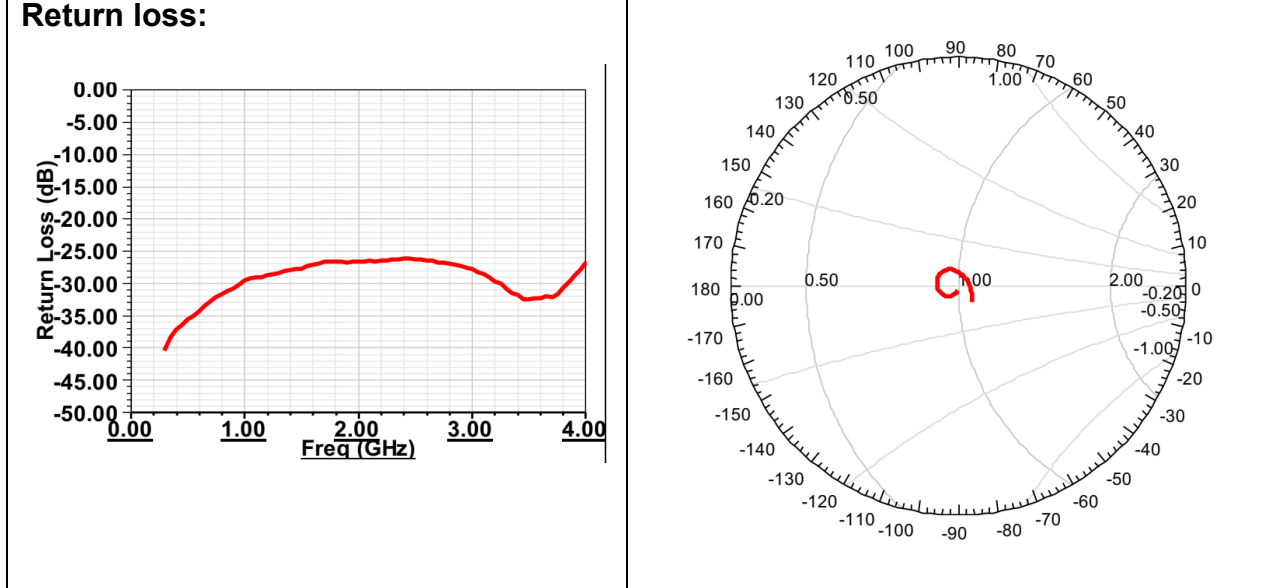
Specification based on unit properly installed using suggested mounting instructions and a 50 ohm nominal impedance. **Specifications subject to change without notice.**

Outline Drawing:

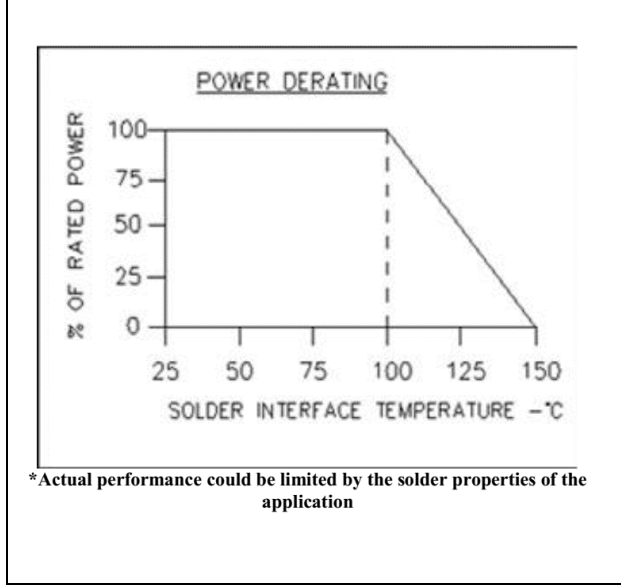


Tolerance is ±0.010", unless otherwise specified. Designed to meet or exceed applicable portions of MIL-E-5400. All dimensions in inches.

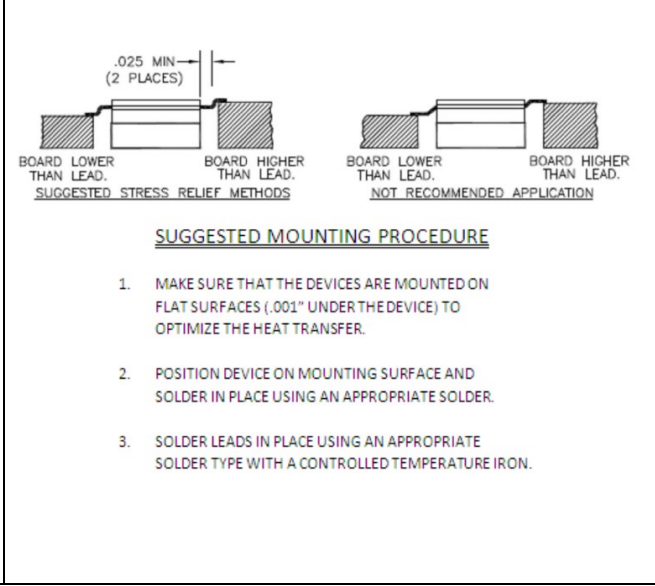
Typical Performance:



Power de-rating:



Mounting Footprint:



Contact us:
rf&s_support@ttm.com