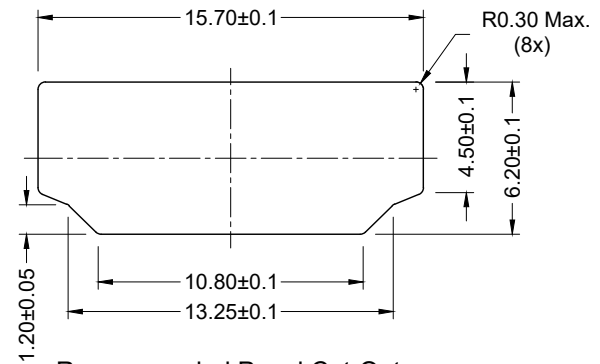
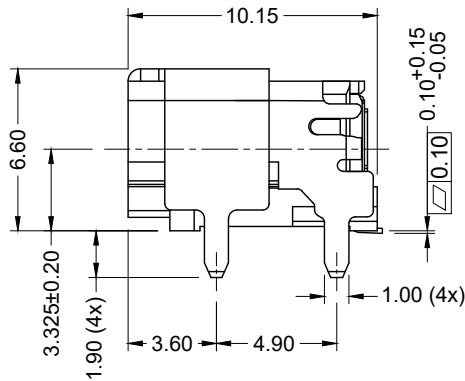
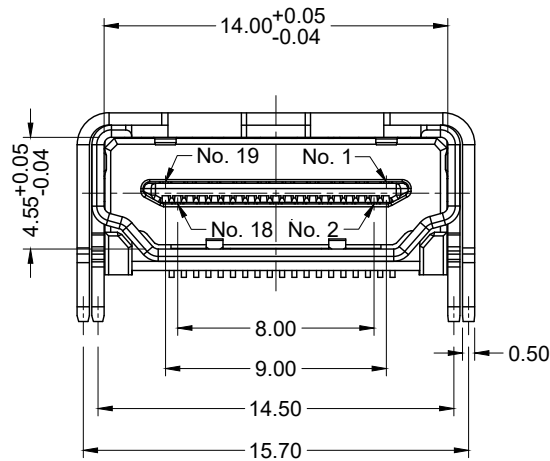


Recommended PCB Layout



Recommended Panel Cut-Out

Material and Finish

Housing: High Temp. Thermoplastic, UL94V-0 Rated, Color: Black
 Shield: Brass, Nickel Plated
 Contacts: Copper Alloy
 Contact Plating: 15u" Gold in Contact Area, Gold Flash in Solder Area, Over Nickel Underplate

Electrical Characteristics

Insulation Resistance: 100 Mohms Min.
 Dielectric Withstanding Voltage: 500V AC RMS for 1 Minute.
 Contact Current Rating: 0.5A Min.
 Contact Resistance: 30 Milliohms Max.

Mechanical Characteristics

Durability: 10,000 Cycles
 Insertion Force: 44.1N Max.
 Withdrawal Force (Initial): 39.2N Max., 9.8N Min.
 Operating Temperature: -25°C to +85°C

Tolerances

X.X ± 0.25
 X.XX ± 0.15
 Unless Stated Otherwise



REV.	DATE	DESCRIPTION	REV. BY	CHK. BY	DRAWN BY	DATE
A0.1	06/08/20	New Drawing	C. Kelleher	D. Shehan	C. Kelleher	06/05/20
A1	12/10/20	Release Drawing	C. Kelleher	D. Shehan		

KDMIX-NS2-NS-B15TR-2.1

HDMI, Hi Temp, SMT, No Flange, TH Shield,

15u" Gold, T&R, HDMI 2.1 Compliant, RoHS Compliant.

